



US00D415393S

# United States Patent [19] Kei

[11] **Patent Number: Des. 415,393**

[45] **Date of Patent: \*\* Oct. 19, 1999**

[54] **INSULATED CONTAINER**

[75] Inventor: **Chi Kin Kei**, Ha Kwai Chung, The Hong Kong Special Administrative Region of the People's Republic of China

[73] Assignee: **Sun Hoi Kwong Plastic Factory (Shenzhen) Co., Ltd.**, China

[\*\*] Term: **14 Years**

[21] Appl. No.: **29/090,303**

[22] Filed: **Jul. 6, 1998**

[30] **Foreign Application Priority Data**

Jan. 7, 1998 [HK] The Hong Kong Special Administrative Region of the People's Republic of China ..... 9810031

[51] **LOC (6) Cl.** ..... **07-06**

[52] **U.S. Cl.** ..... **D7/605**

[58] **Field of Search** ..... D7/605-608; 62/371, 62/457.1, 457.7; D3/273, 276, 294; D9/424, 425; 220/410-412

[56] **References Cited**

**U.S. PATENT DOCUMENTS**

D. 325,323 4/1992 Kahl ..... D7/605

D. 352,208 11/1994 Brookshire ..... D7/605  
D. 374,772 10/1996 Hotaling et al. .... D3/276  
D. 398,816 9/1998 Koutsouflakis ..... D7/605

*Primary Examiner*—Terry A. Wallace  
*Attorney, Agent, or Firm*—Blakely Sokoloff Taylor & Zafman

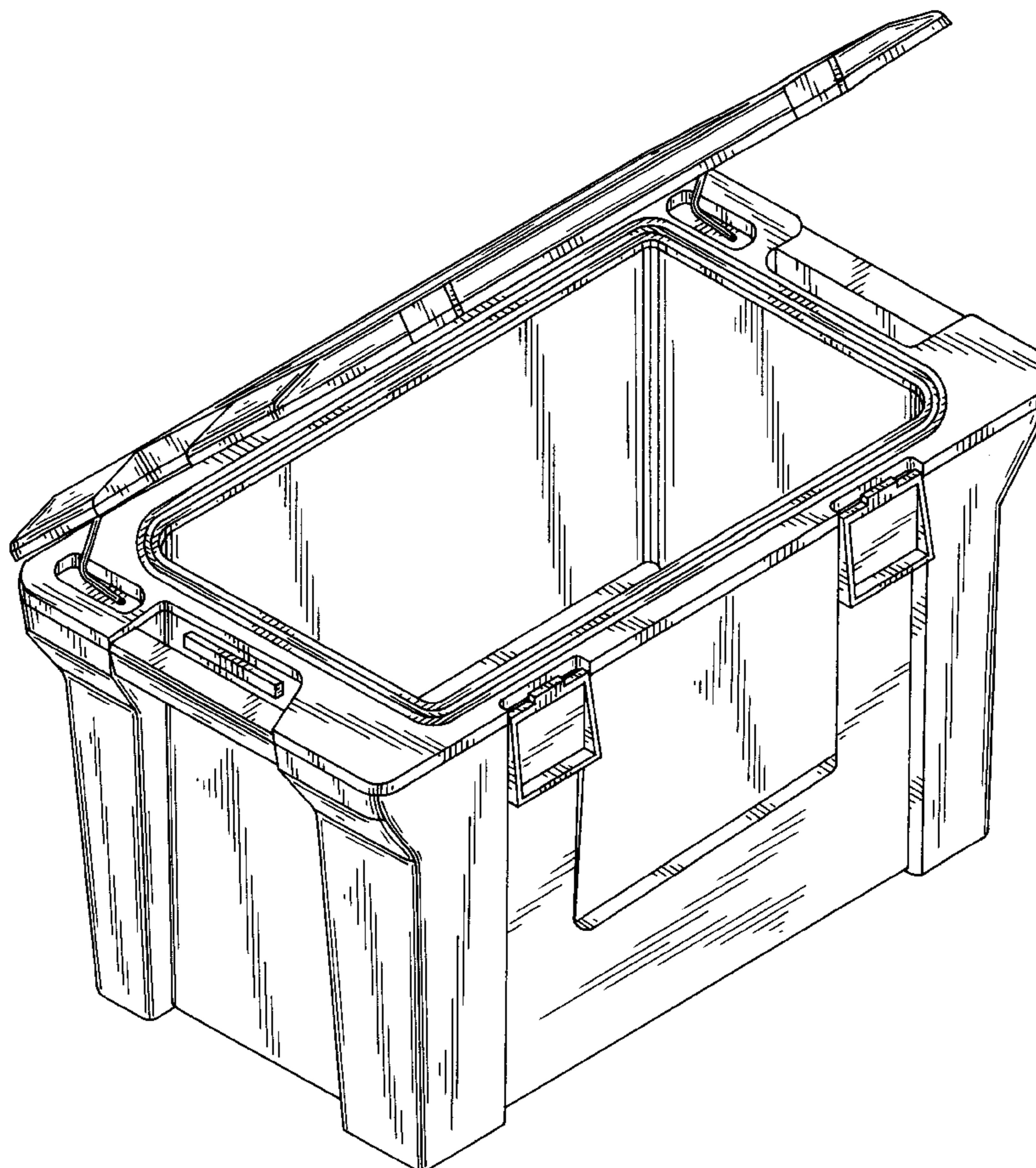
[57] **CLAIM**

The ornamental design for an insulated container, as shown and described.

**DESCRIPTION**

FIG. 1 is a front elevation view of the design thereof.  
FIG. 2 is a rear elevation view of the design thereof.  
FIG. 3 is a top plan view of the design thereof.  
FIG. 4 is a bottom plan view of the design thereof.  
FIG. 5 is a side elevation view of the design thereof, the other side being a mirror image.  
FIG. 6 is a front, top perspective view of the design thereof.  
FIG. 7 is a front, top perspective view of the design showing the lid in an open position; and,  
FIG. 8 is a front, top perspective view of the design showing the cover in an open position.

**1 Claim, 6 Drawing Sheets**



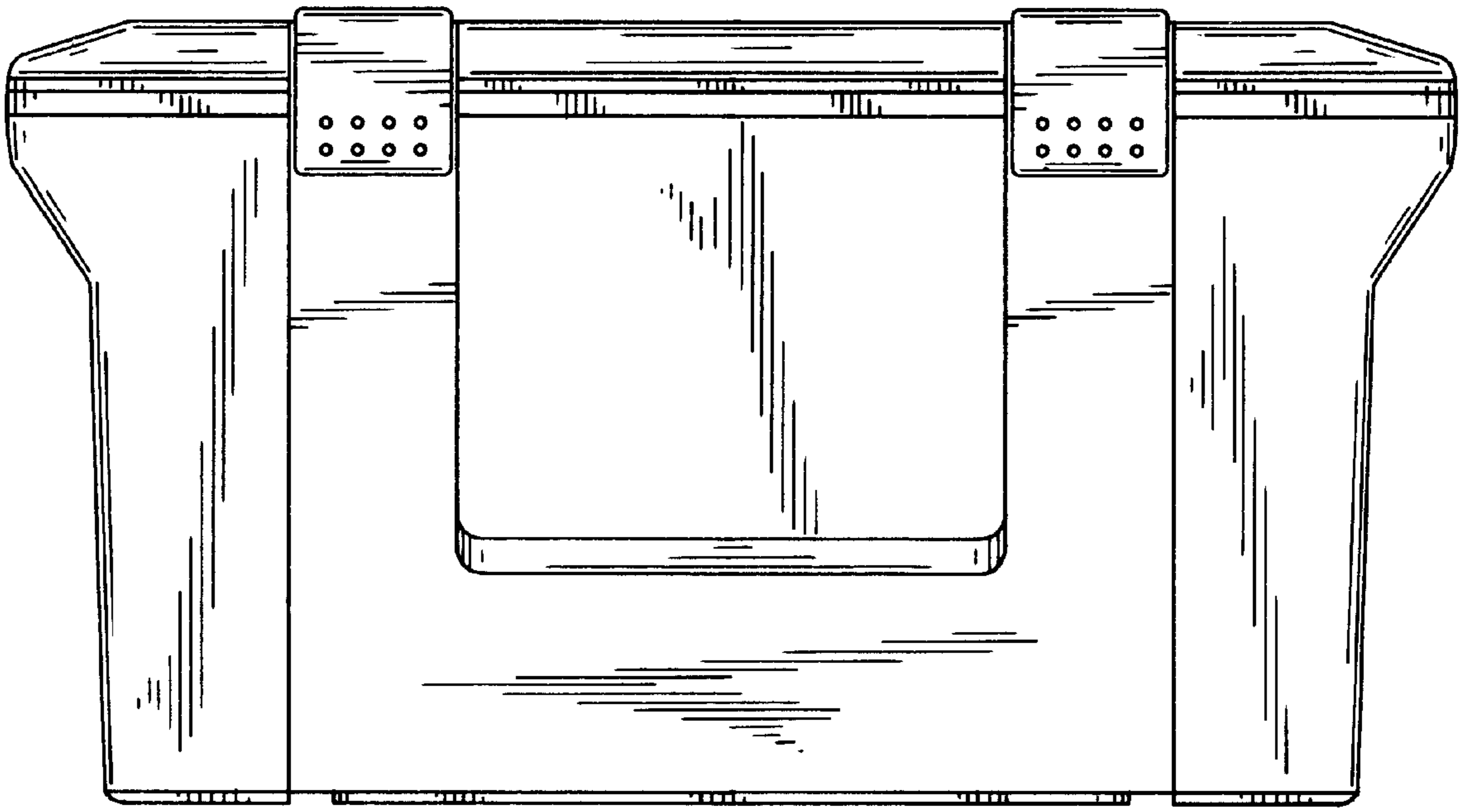


FIG. 1

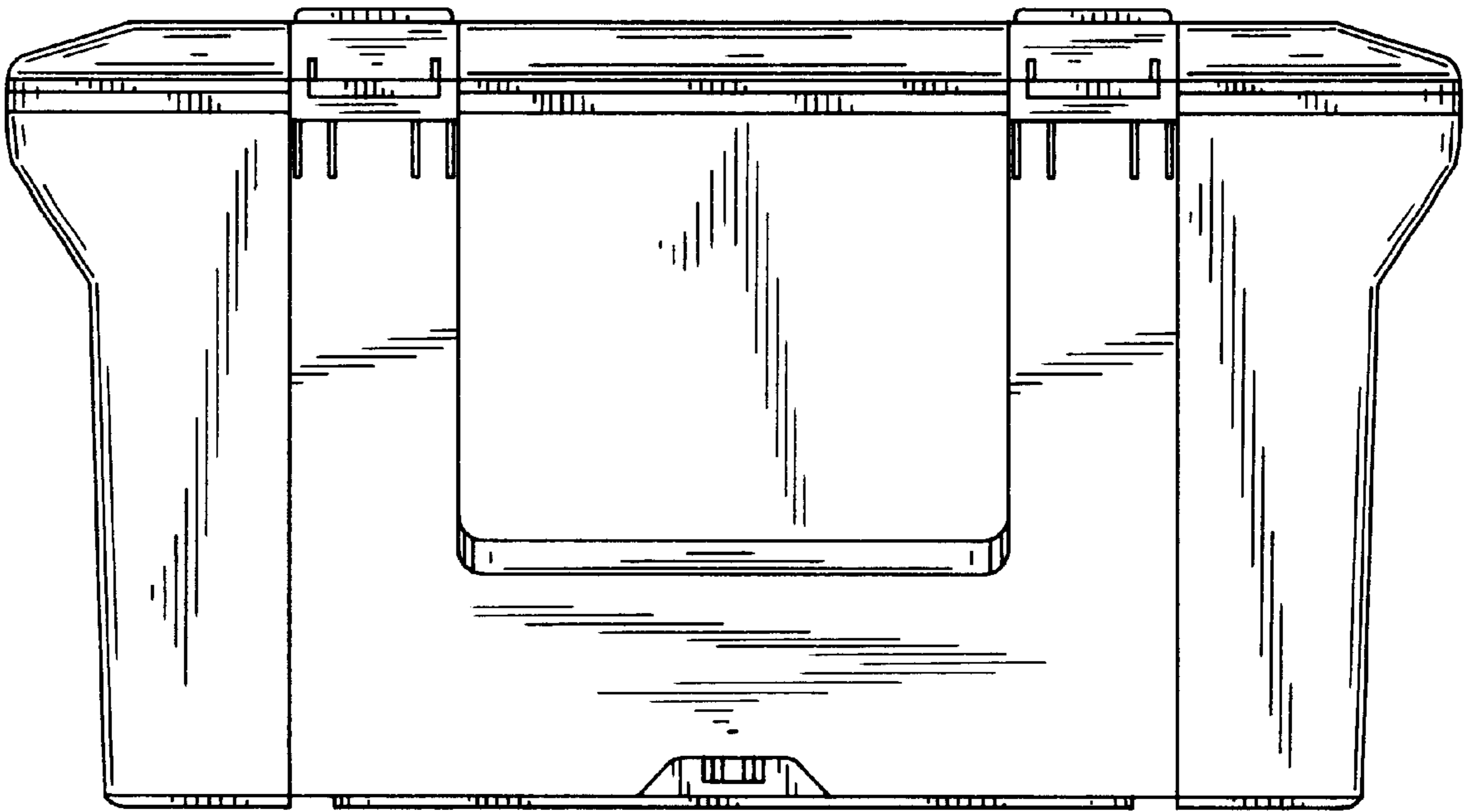


FIG. 2

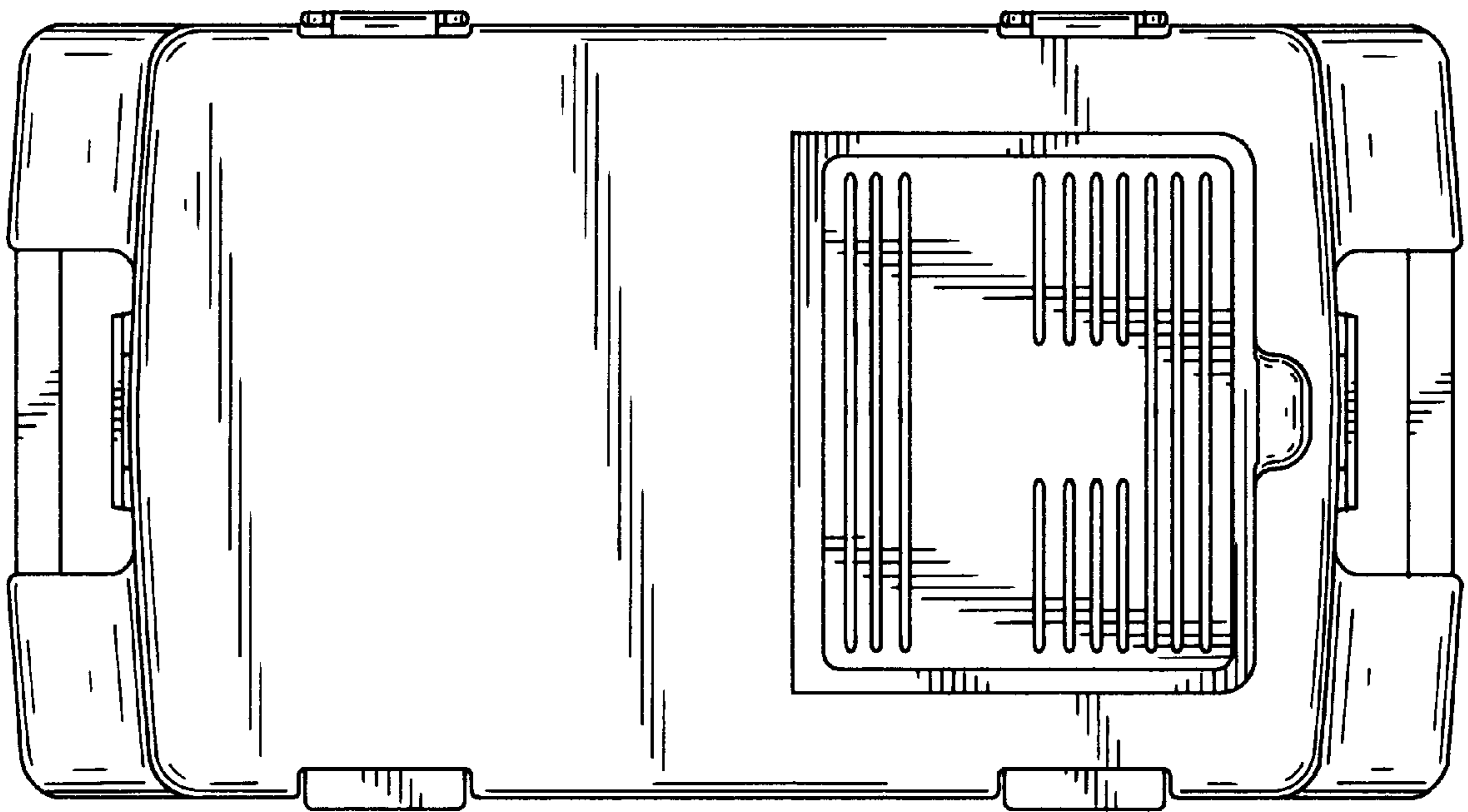


FIG. 3

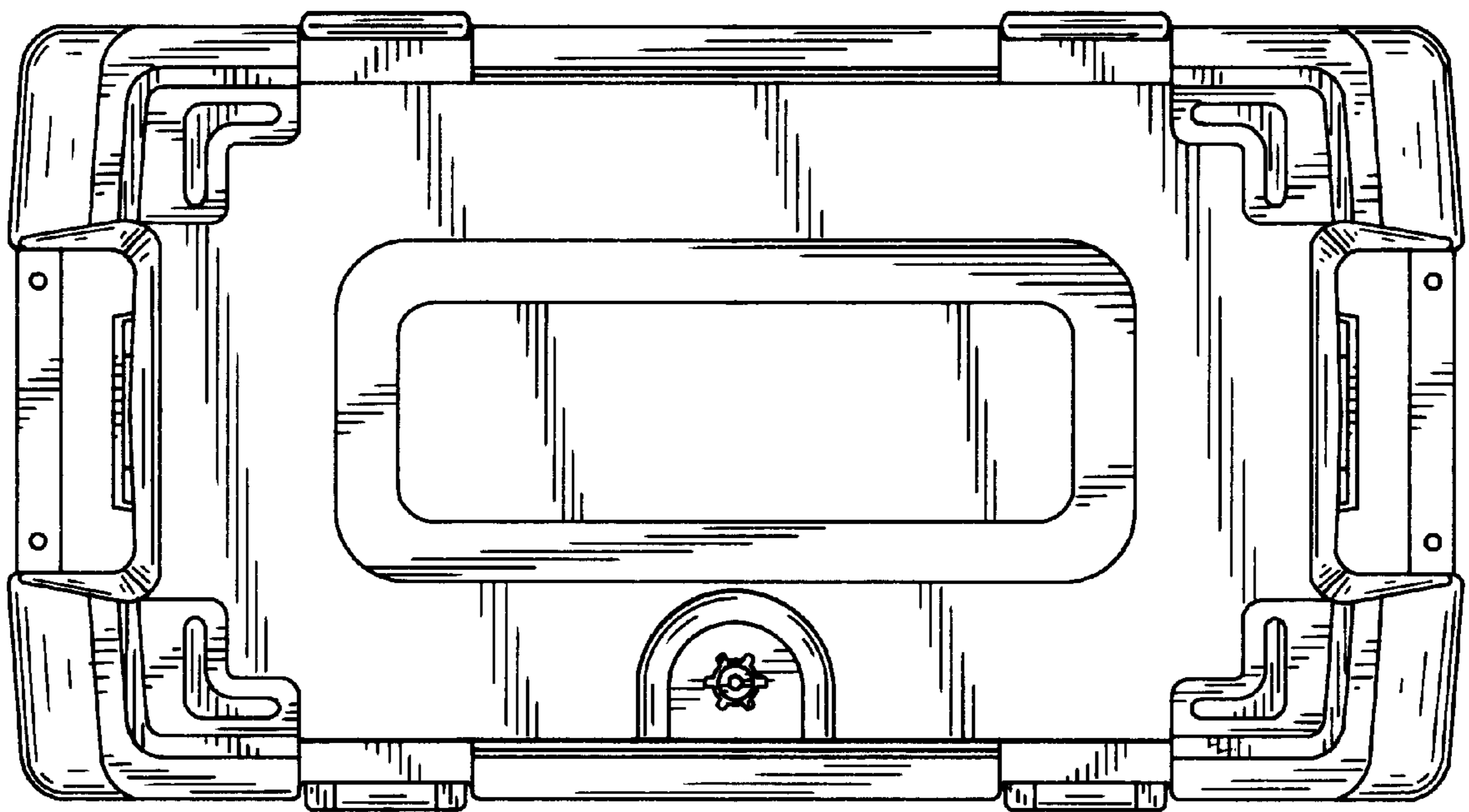
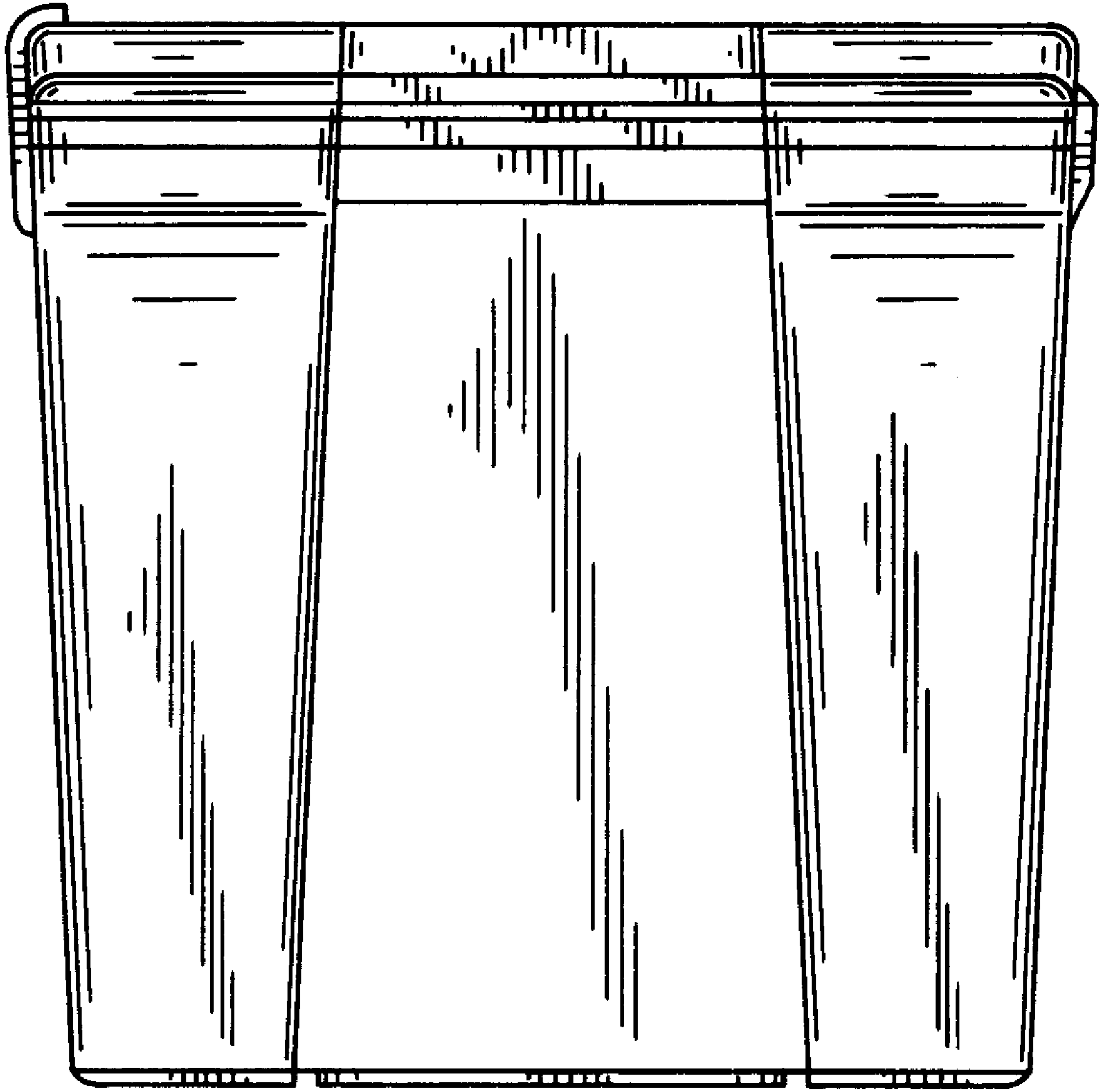


FIG. 4



**FIG. 5**

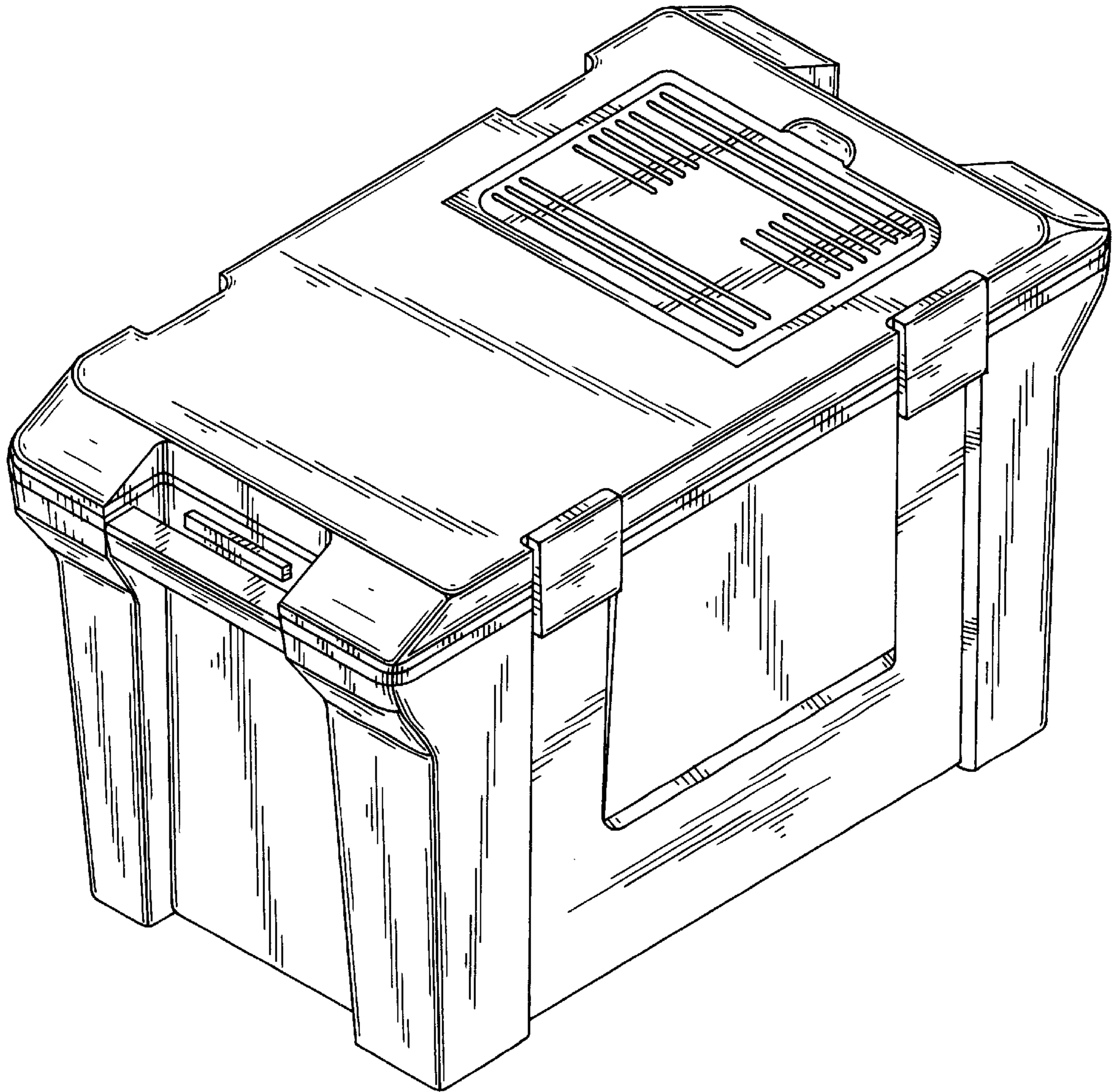


FIG. 6

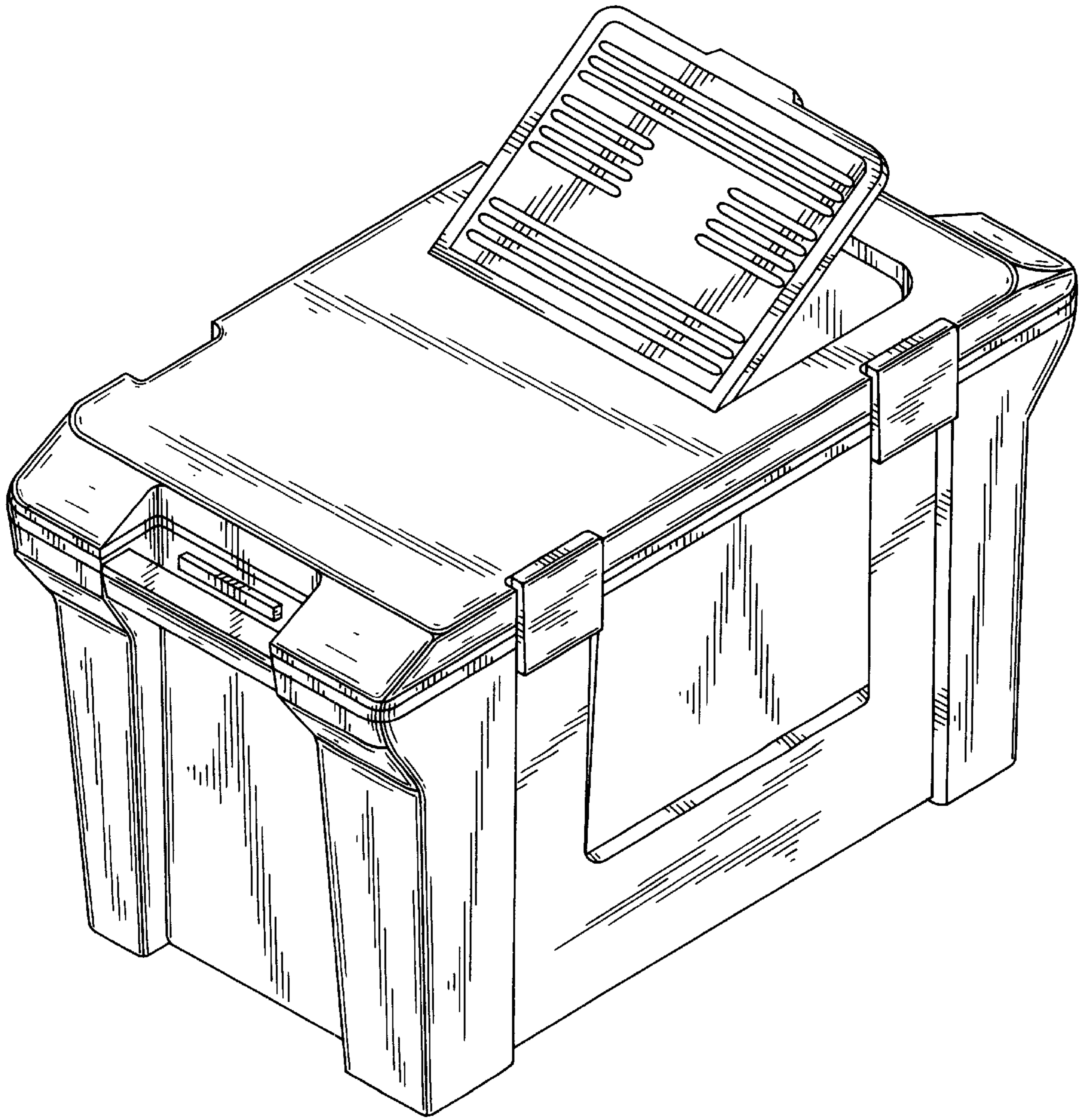


FIG. 7

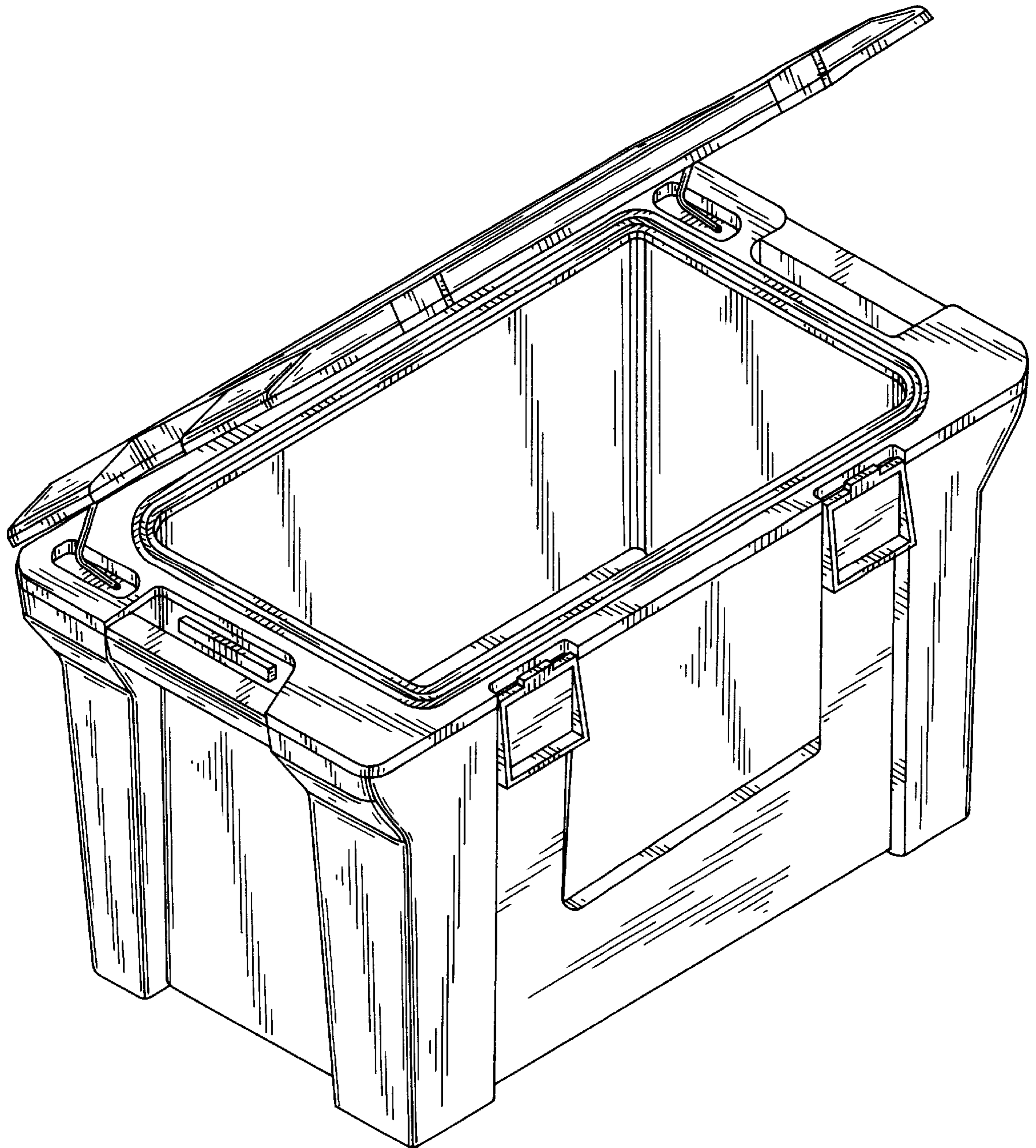


FIG. 8