



US00D415392S

# United States Patent [19]

Wallays et al.

[11] Patent Number: Des. 415,392

[45] Date of Patent: \*\* Oct. 19, 1999

[54] STORAGE CONTAINER FOR COOKIE CUTTERS

D. 346,720 5/1994 Onneweer ..... D7/629  
D. 381,560 7/1997 Indekeu ..... D7/538

[75] Inventors: Nele Wallays, Antwerp; Victor J. J. Cautereels, Ranst, both of Belgium

Primary Examiner—Terry A. Wallace  
Attorney, Agent, or Firm—Taylor J. Ross

[73] Assignee: Dart Industries Inc., Orlando, Fla.

[57] CLAIM

[\*\*] Term: 14 Years

The ornamental design for a storage container for cookie cutters, as shown and described.

[21] Appl. No.: 29/092,334

### DESCRIPTION

[22] Filed: Aug. 17, 1998

[51] LOC (6) Cl. .... 07-06

[52] U.S. Cl. .... D7/601; D7/676; D7/629

[58] Field of Search ..... D7/601, 602, 629,  
D7/676, 538-542; 30/316; 220/253, 345,  
796

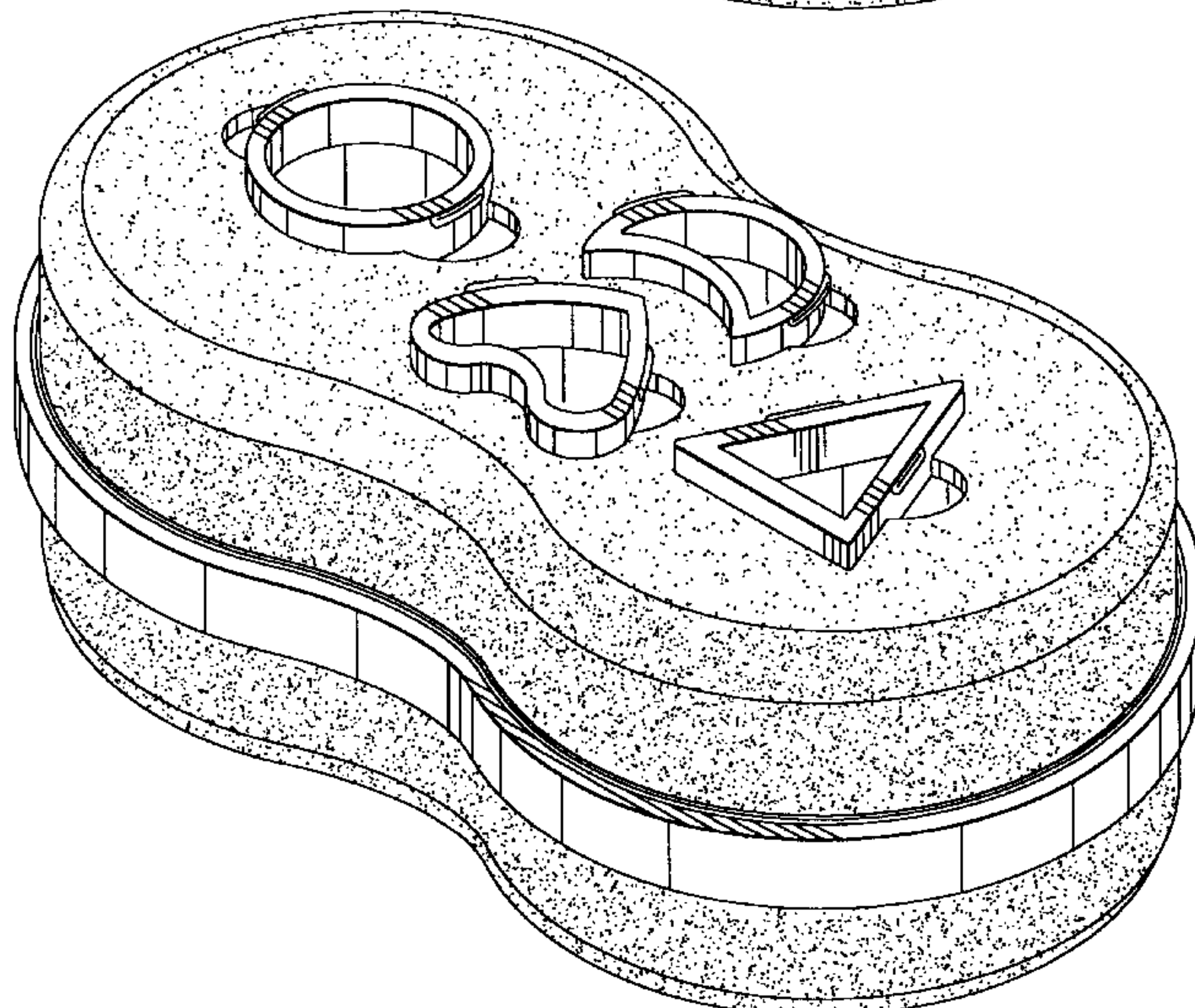
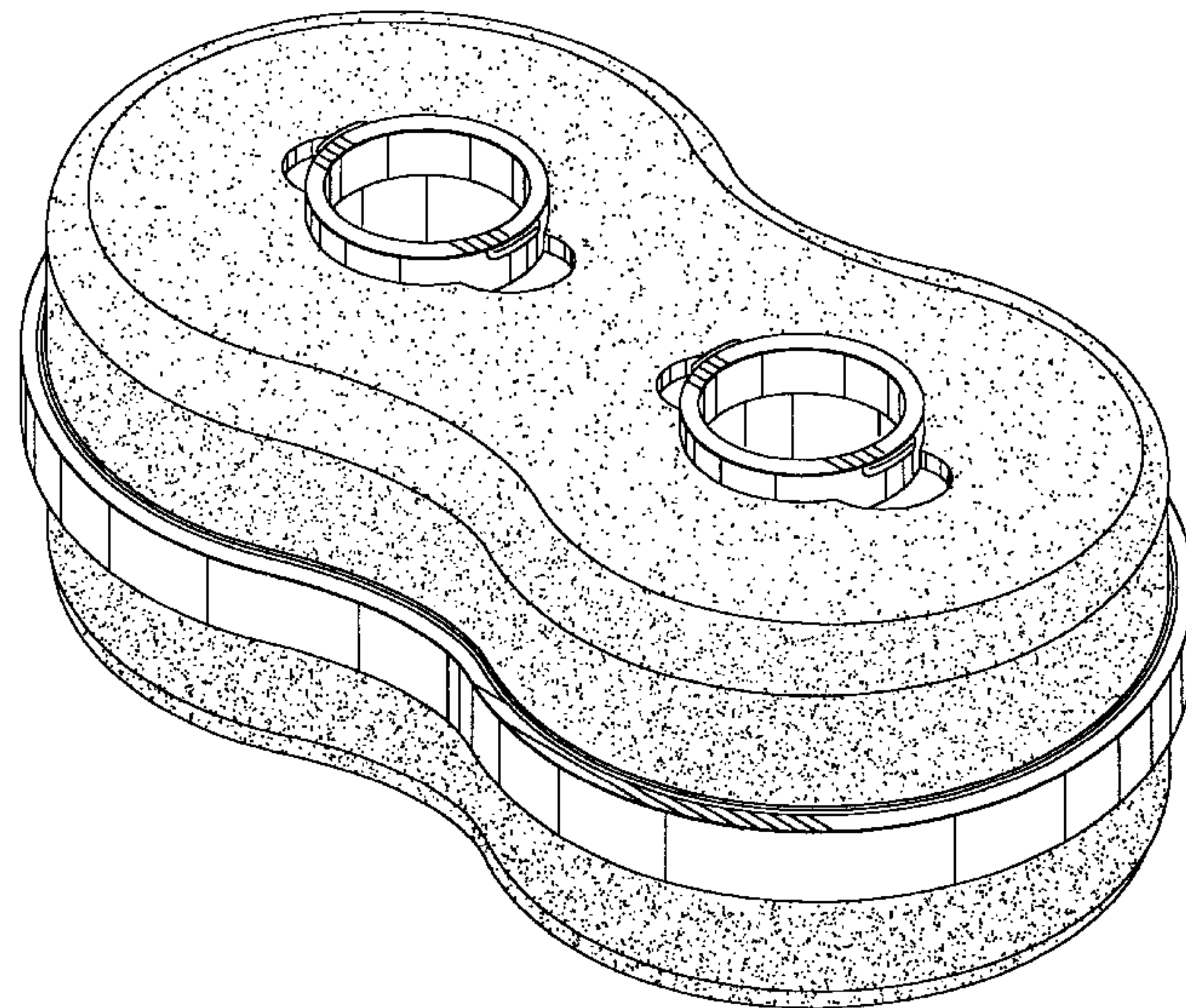
FIG. 1 is a top, side and front perspective view of a storage container for cookie cutters showing the new design; FIG. 2 is a bottom, side and front perspective view thereof; FIG. 3 is a front elevation view thereof; FIG. 4 is a rear elevation view thereof; FIG. 5 is a right side elevation view thereof; FIG. 6 is a left side elevation view thereof; FIG. 7 is a top plan view thereof; and, FIG. 8 is a bottom plan view thereof.

### [56] References Cited

#### U.S. PATENT DOCUMENTS

D. 282,893 3/1986 Daenen ..... D7/676

1 Claim, 3 Drawing Sheets





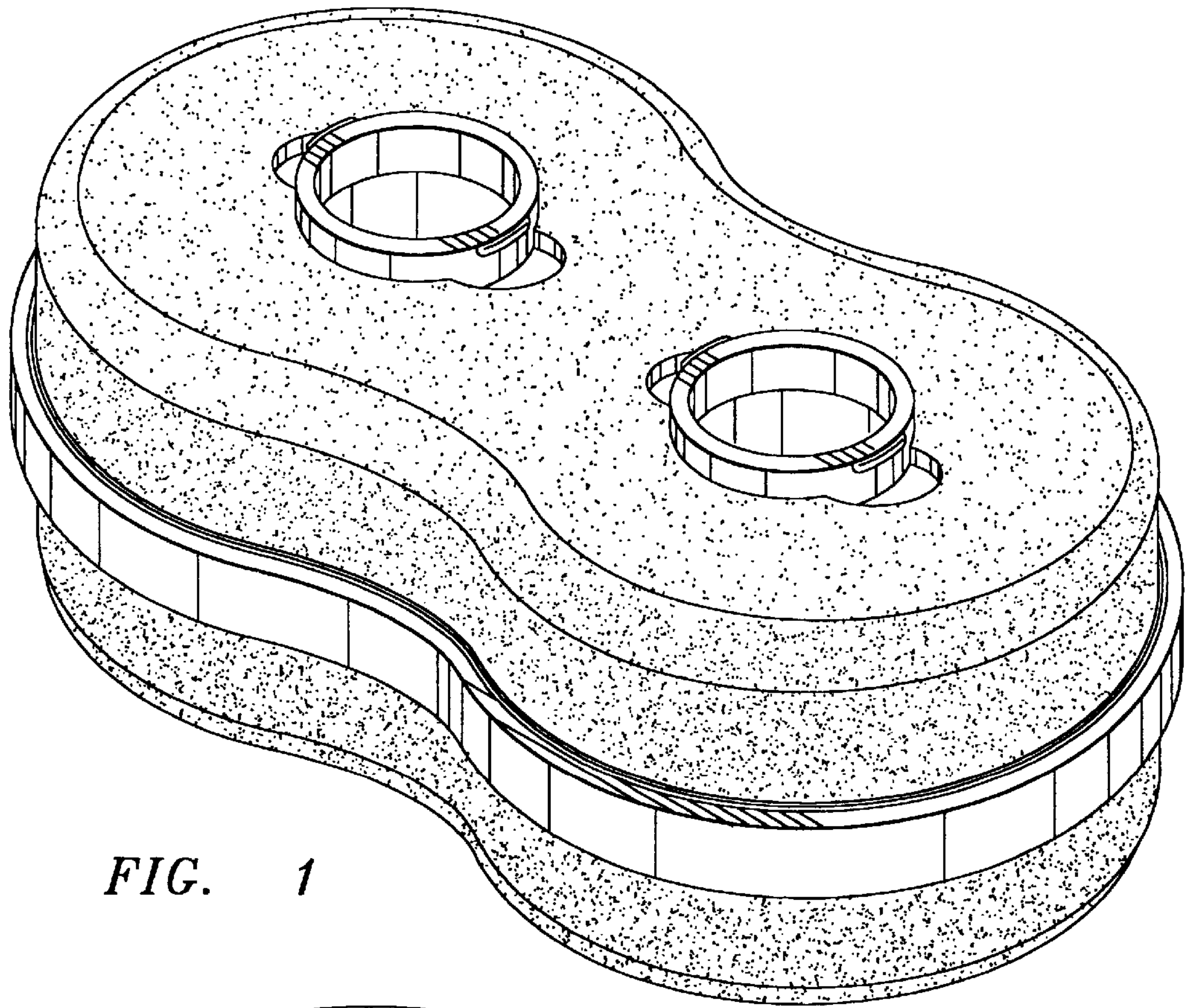


FIG. 1

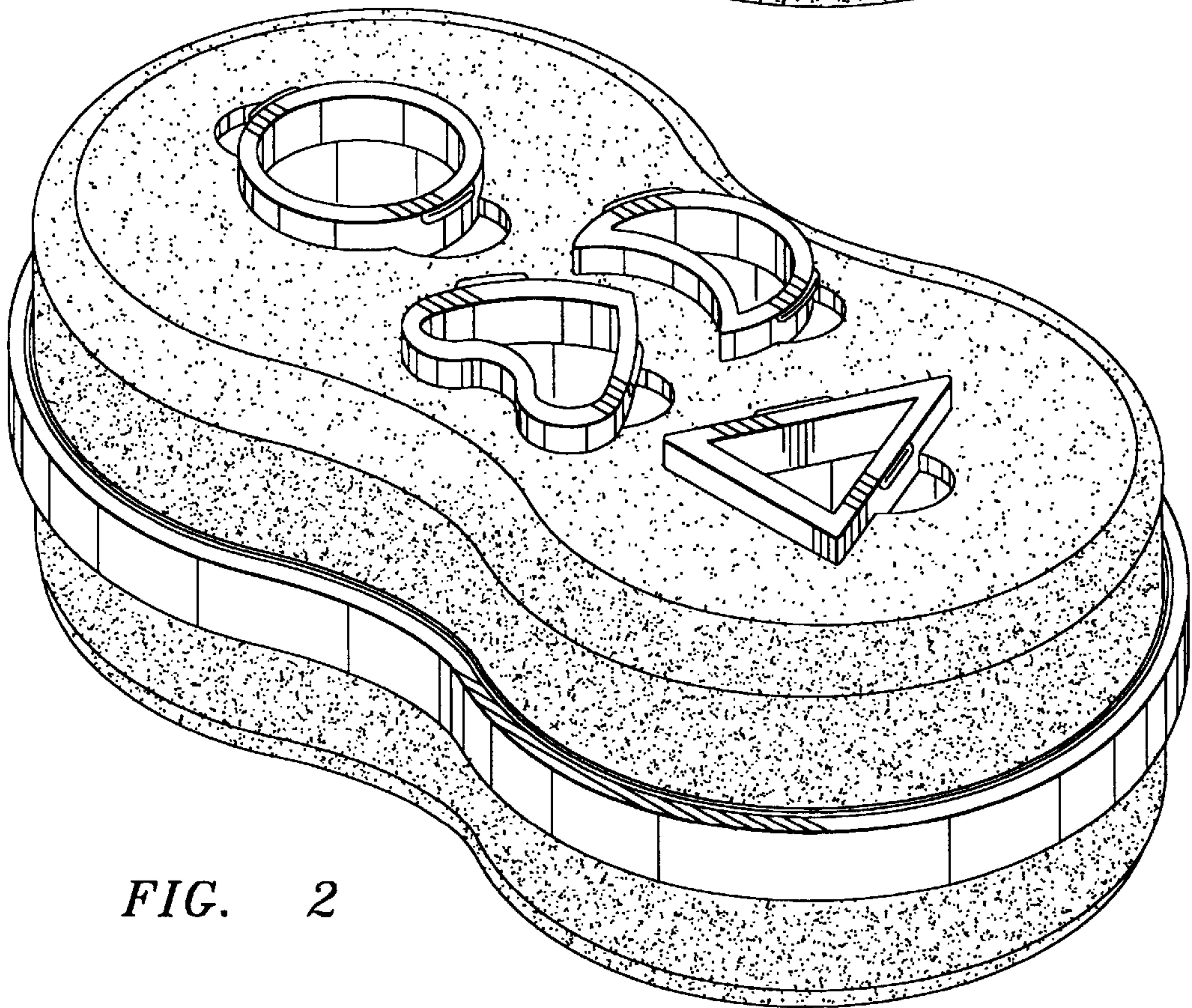


FIG. 2

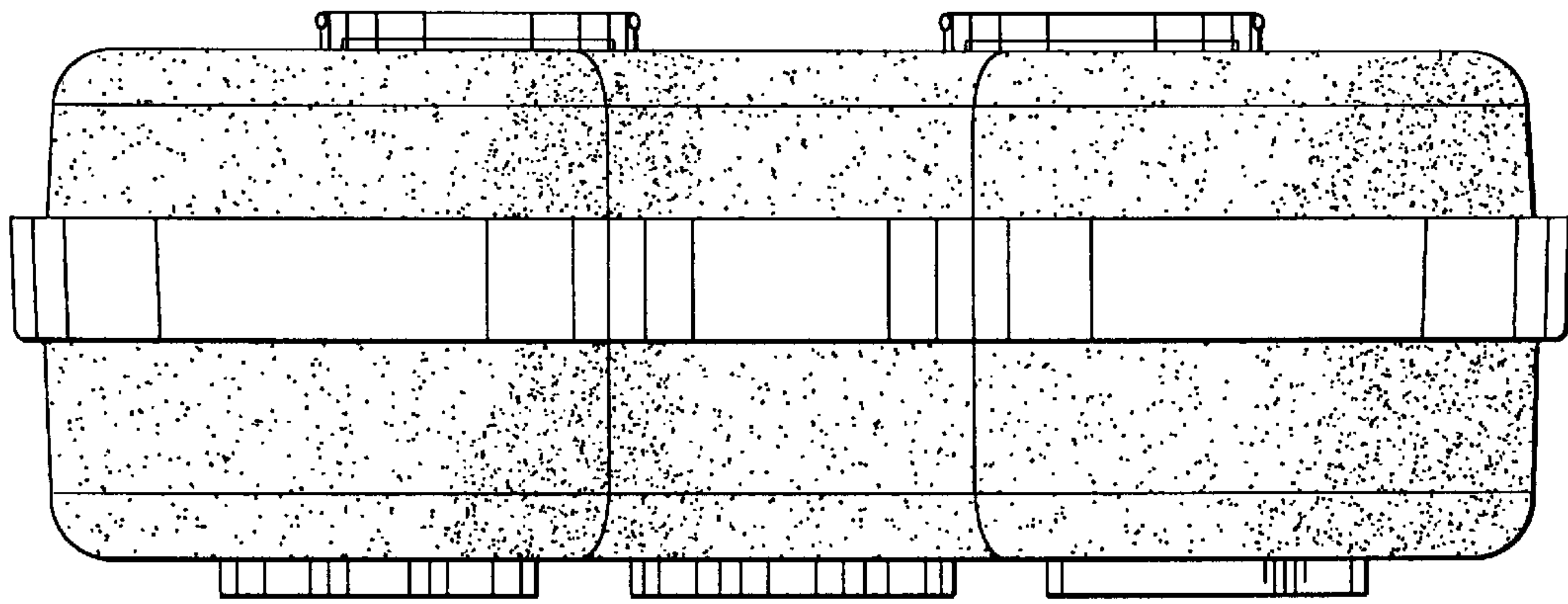


FIG. 3

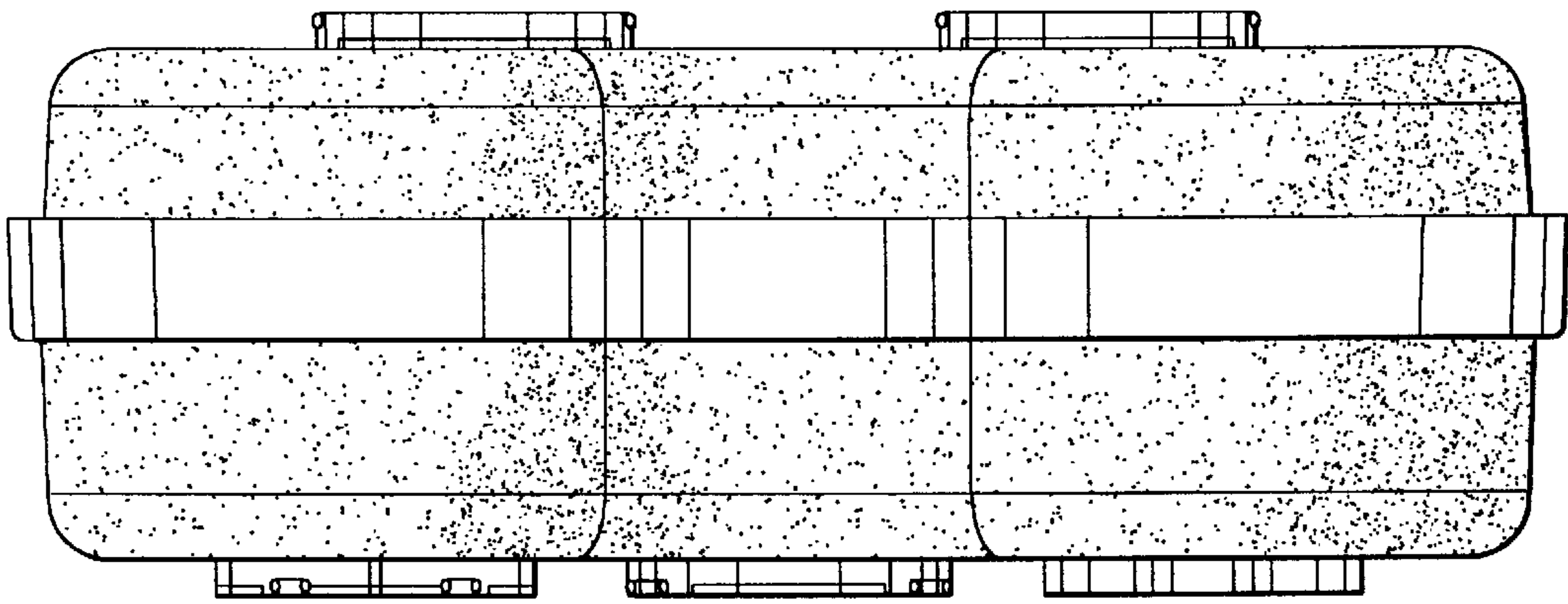


FIG. 4

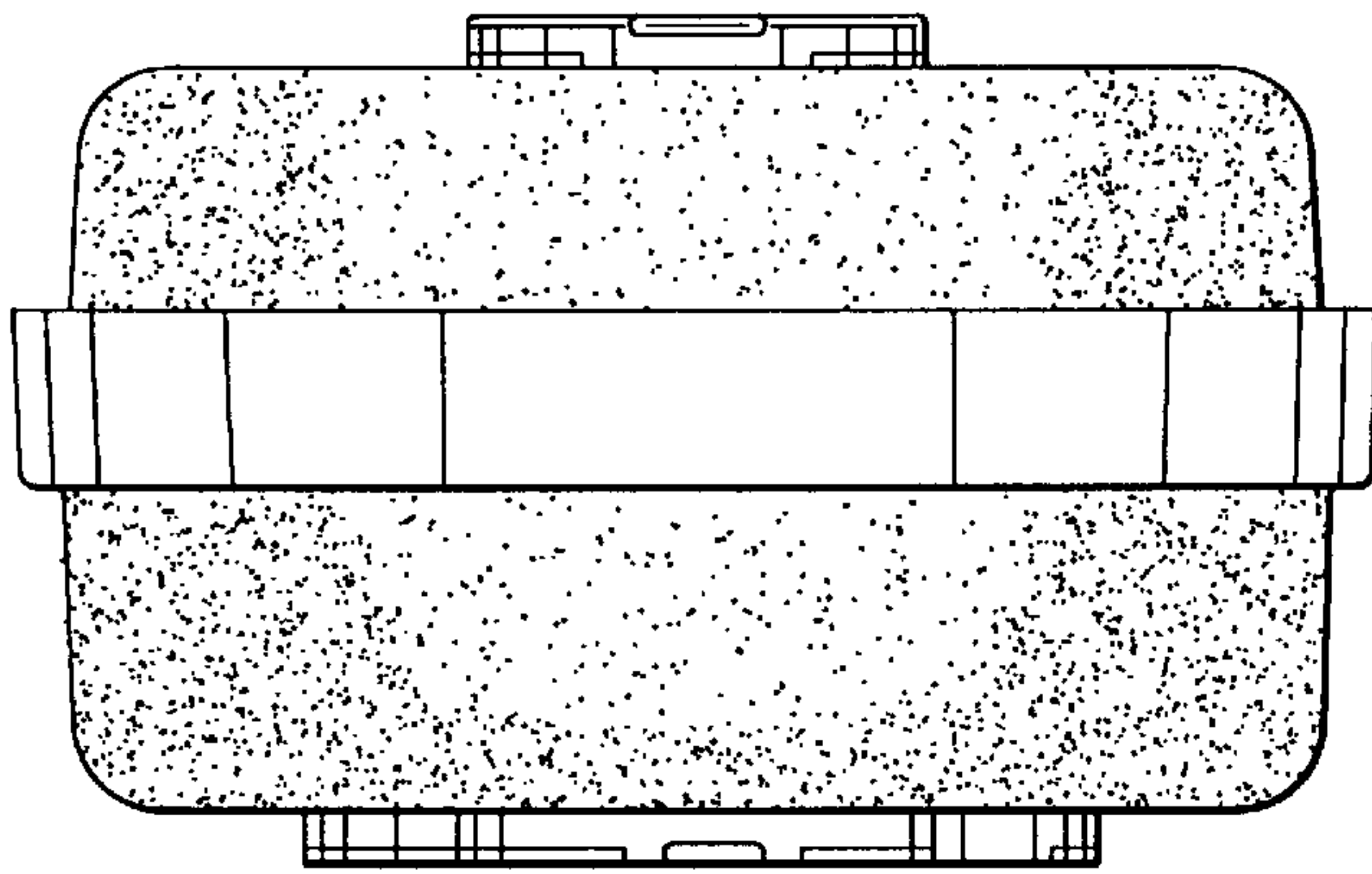


FIG. 5

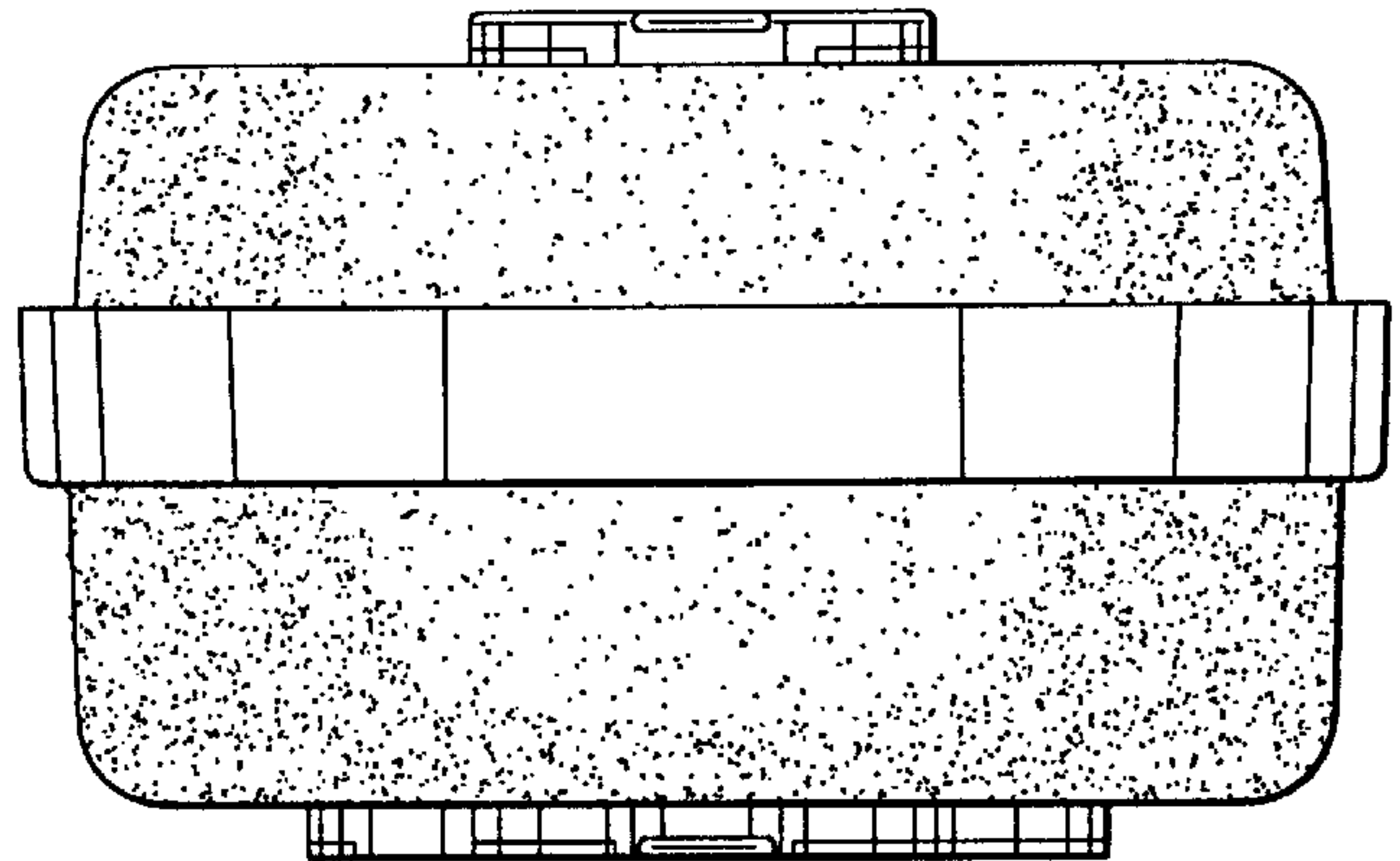


FIG. 6



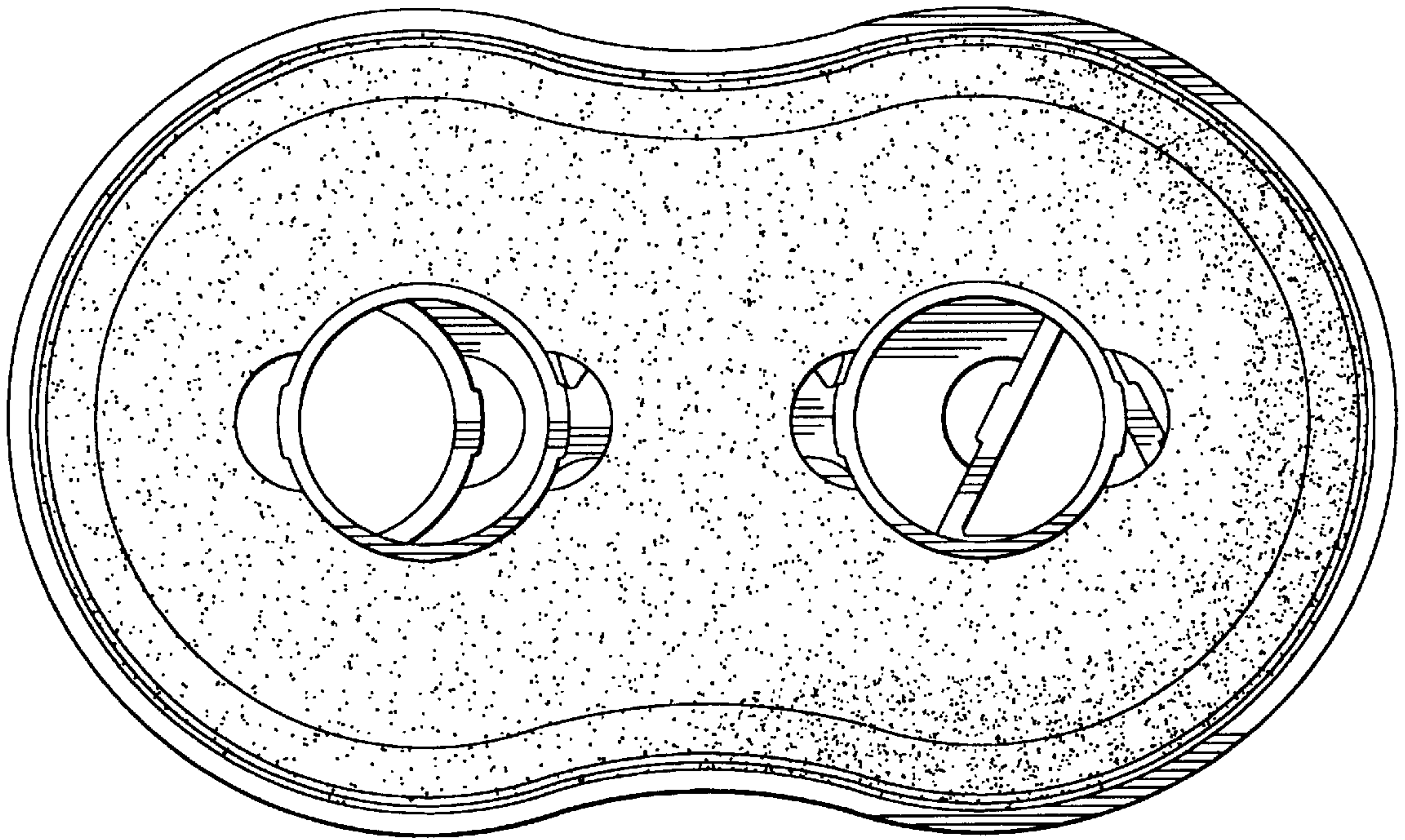


FIG. 7

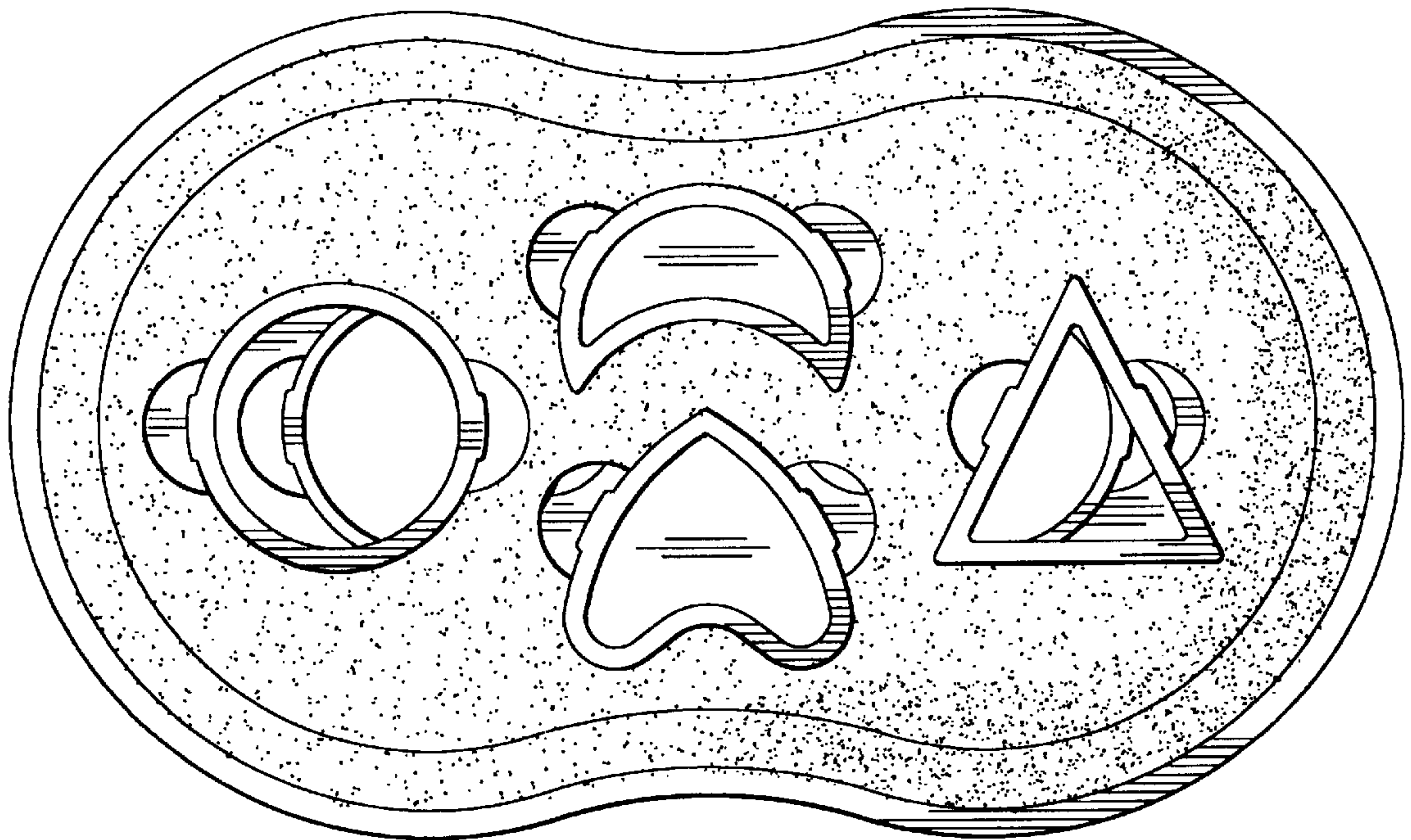


FIG. 8