



US00D415386S

United States Patent [19]

Stucke, Jr. et al.

[11] **Patent Number: Des. 415,386**

[45] **Date of Patent: ** Oct. 19, 1999**

[54] **VENT VALVE**

[75] Inventors: **Donald W. Stucke, Jr.**, Campbell;
Pascal Golay, Brooklyn, both of N.Y.

[73] Assignee: **Corning Consumer Products Company**, Corning, N.Y.

[**] Term: **14 Years**

[21] Appl. No.: **29/093,572**

[22] Filed: **Sep. 14, 1998**

[51] **LOC (6) Cl.** **07-99**

[52] **U.S. Cl.** **D7/398; D7/392**

[58] **Field of Search** D7/387, 391, 392,
D7/392.1, 396.2, 397, 398, 510, 511, 629;
D9/434, 447, 449, 450; 215/307, 902; 220/713,
714; 222/480, 541.5, 565

[56] **References Cited**

U.S. PATENT DOCUMENTS

- D. 200,018 1/1965 Brocken .
- D. 348,176 6/1994 Sokolski et al. .

- D. 350,875 9/1994 Van Valkenburg et al. D7/510 X
- D. 374,590 10/1996 Ahern, Jr. D7/392.1
- D. 377,737 2/1997 Kristnik D7/511
- 5,203,467 4/1993 Tucker 220/713

Primary Examiner—Cathron B. Matta
Attorney, Agent, or Firm—Robert A. Koons, Jr.; Russell G. Lindenfeldar; Pepper Hamilton LLP

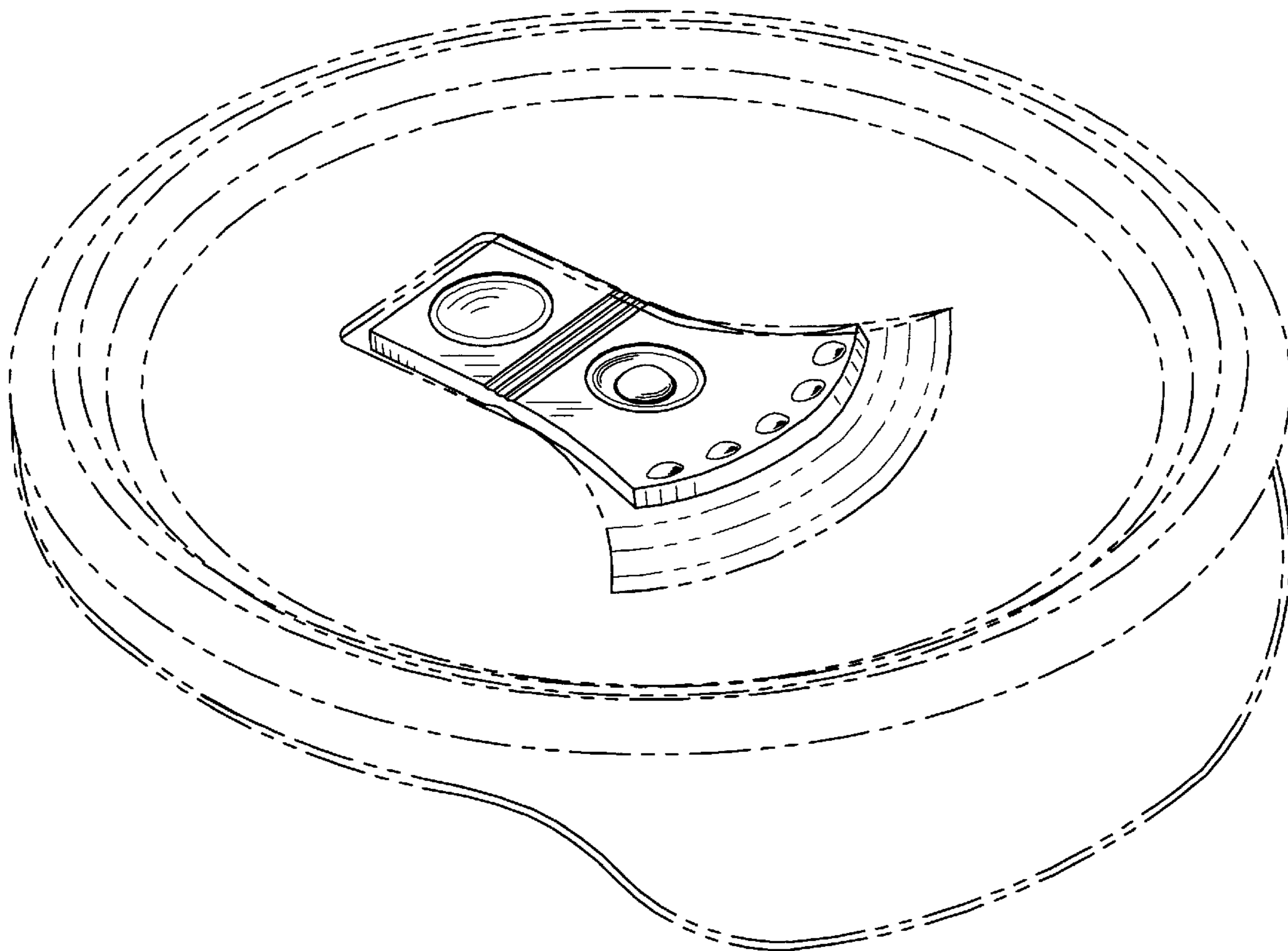
[57] **CLAIM**

The ornamental design for a vent valve, as shown and described.

DESCRIPTION

FIG. 1 is a perspective view of a vent valve showing our new design, with the broken lines showing matter for illustrative purposes only and forming no part of the claimed design; FIG. 2 is a front elevational view of the vent valve; FIG. 3 is a rear elevational view of the vent valve; FIG. 4 is a top plan view of the vent valve; FIG. 5 is a right side elevational view of the vent valve; FIG. 6 is a left side elevational view of the vent valve; and, FIG. 7 is a bottom plan view of the vent valve.

1 Claim, 2 Drawing Sheets



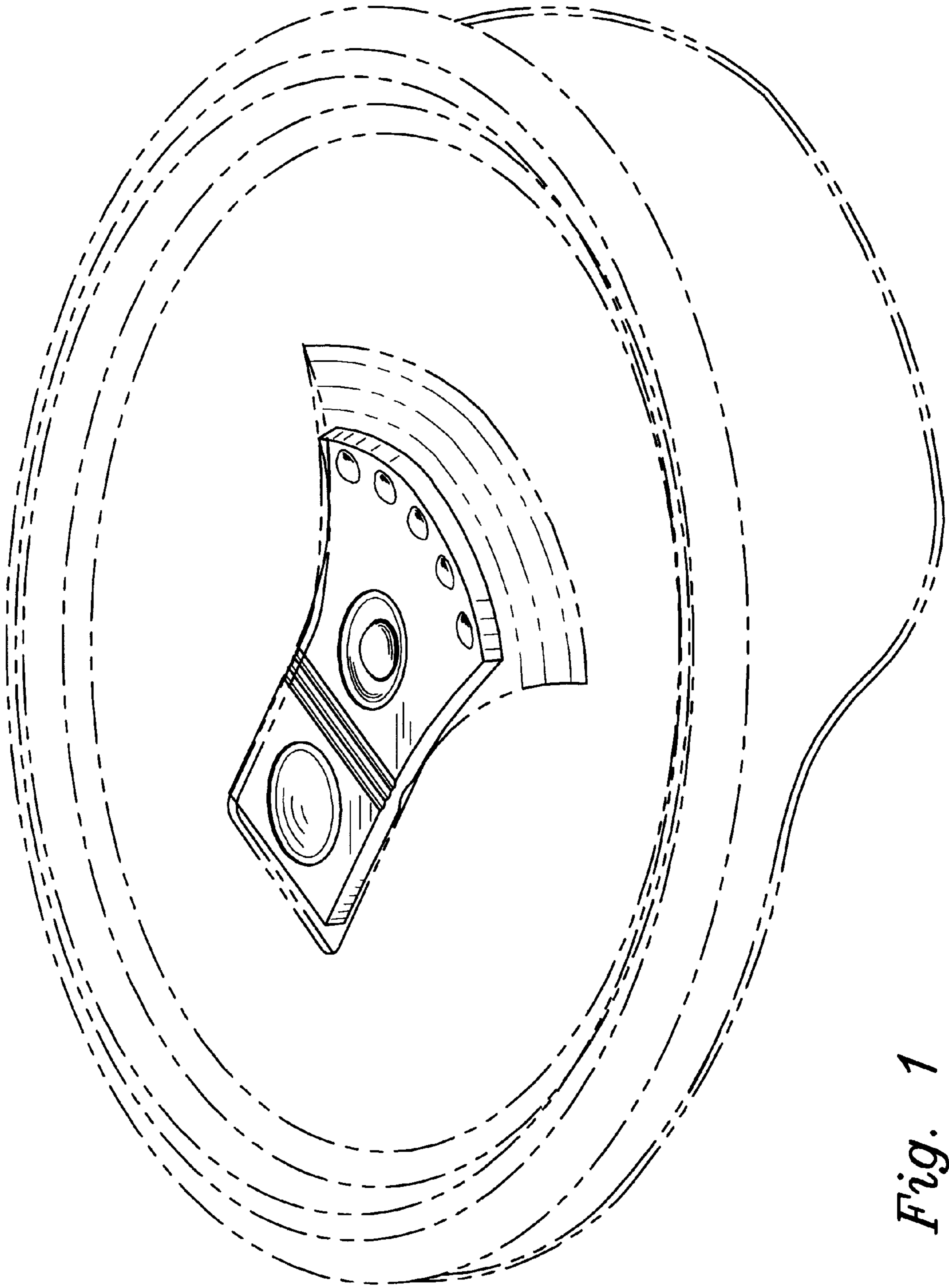


Fig. 1

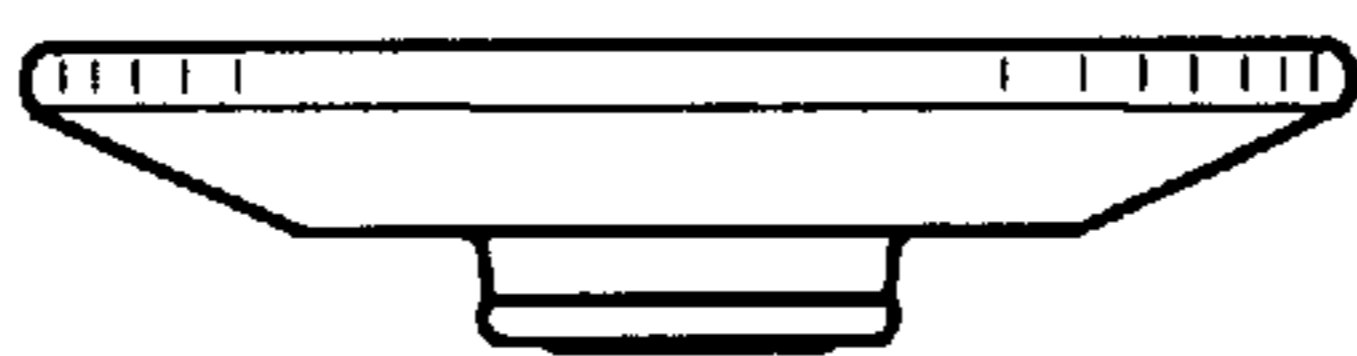


Fig. 2



Fig. 3

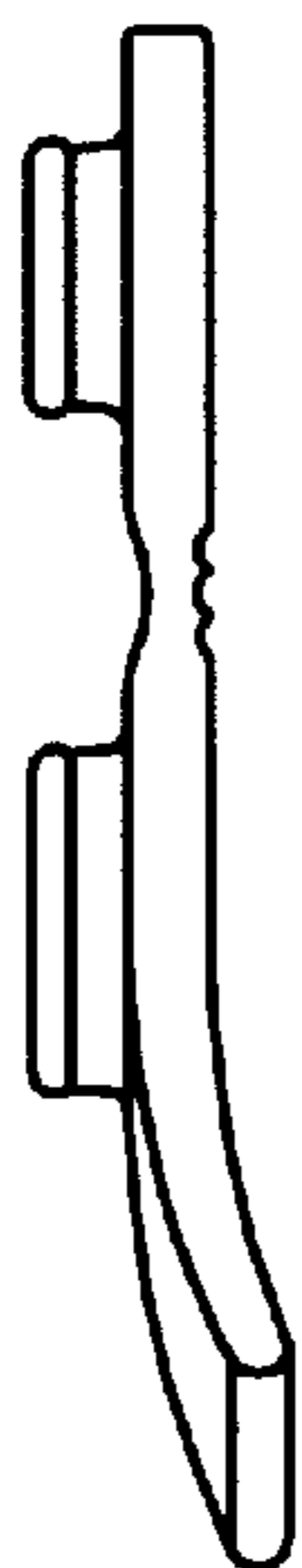


Fig. 6

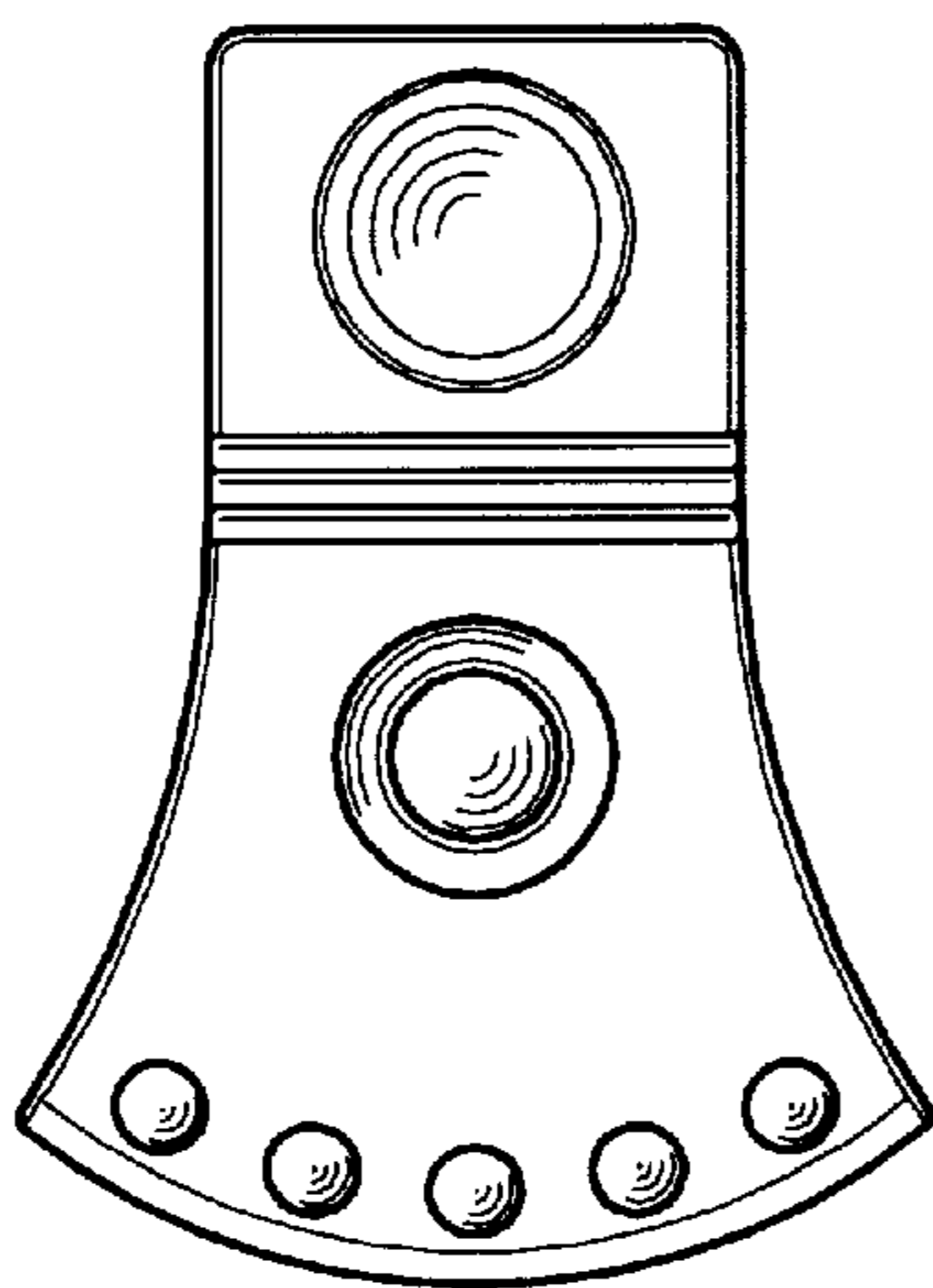


Fig. 4



Fig. 5

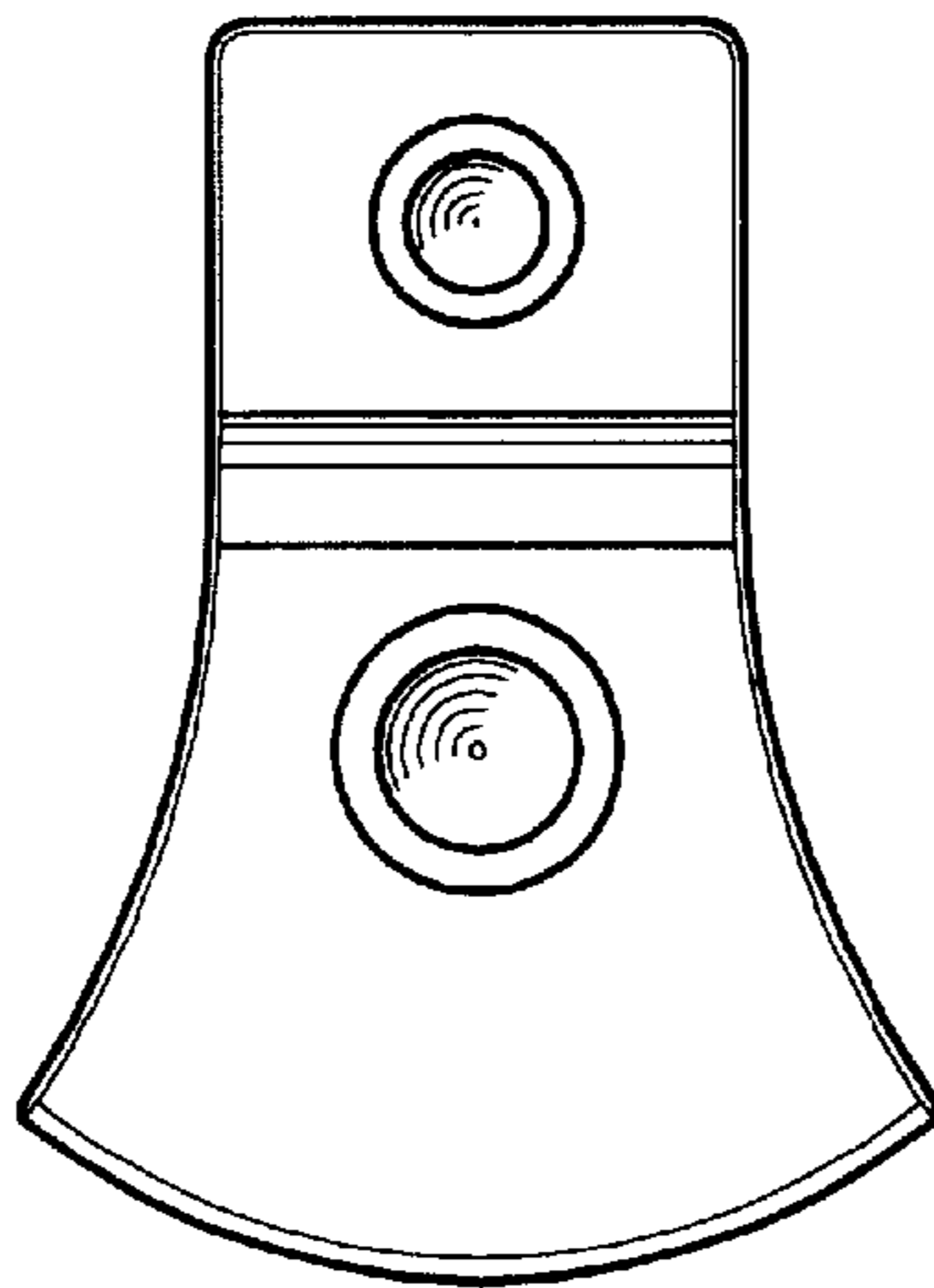


Fig. 7