



US00D415375S

**United States Patent** [19]  
**McCrackin et al.**

[11] **Patent Number: Des. 415,375**  
[45] **Date of Patent: \*\* Oct. 19, 1999**

[54] **PENINSULAR WORKSURFACE**

[75] Inventors: **John L. McCrackin**, Grand Rapids, Mich.; **Brian J. Kane**, San Francisco, Calif.

[73] Assignee: **Steelcase Inc.**, Grand Rapids, Mich.

[\*\*] Term: **14 Years**

[21] Appl. No.: **29/086,579**

[22] Filed: **Apr. 15, 1998**

[51] **LOC (6) Cl.** ..... **06-06**

[52] **U.S. Cl.** ..... **D6/511**

[58] **Field of Search** ..... D6/421-428, 491, D6/509-511; 312/194-196

[56] **References Cited**

**U.S. PATENT DOCUMENTS**

D. 177,678	5/1956	Hvidt et al. ....	D6/511
D. 193,192	7/1962	Bleving .....	D6/511
D. 302,085	7/1989	Tingley .	
D. 331,672	12/1992	Brodbeck .	
D. 331,842	12/1992	Brodbeck .	
D. 332,188	1/1993	Brodbeck .	
D. 332,189	1/1993	Brodbeck .	
D. 352,852	11/1994	Hosoe .	
D. 373,262	9/1996	Luong et al. .	
D. 394,569	5/1998	O'Malley .....	D6/511
D. 401,087	11/1998	Hellwig et al. ....	D6/482

**OTHER PUBLICATIONS**

ATD—American Catalog #F-935, backcover; peninsula table item D, top left of page, 1993.  
Exhibit A is the Chicago Collection, Tuohy Furniture Corporation, 1994, (8 pages).

*Primary Examiner*—Carmen H. Vales-Lado  
*Attorney, Agent, or Firm*—Price, Heneveld, Cooper, DeWitt & Litton

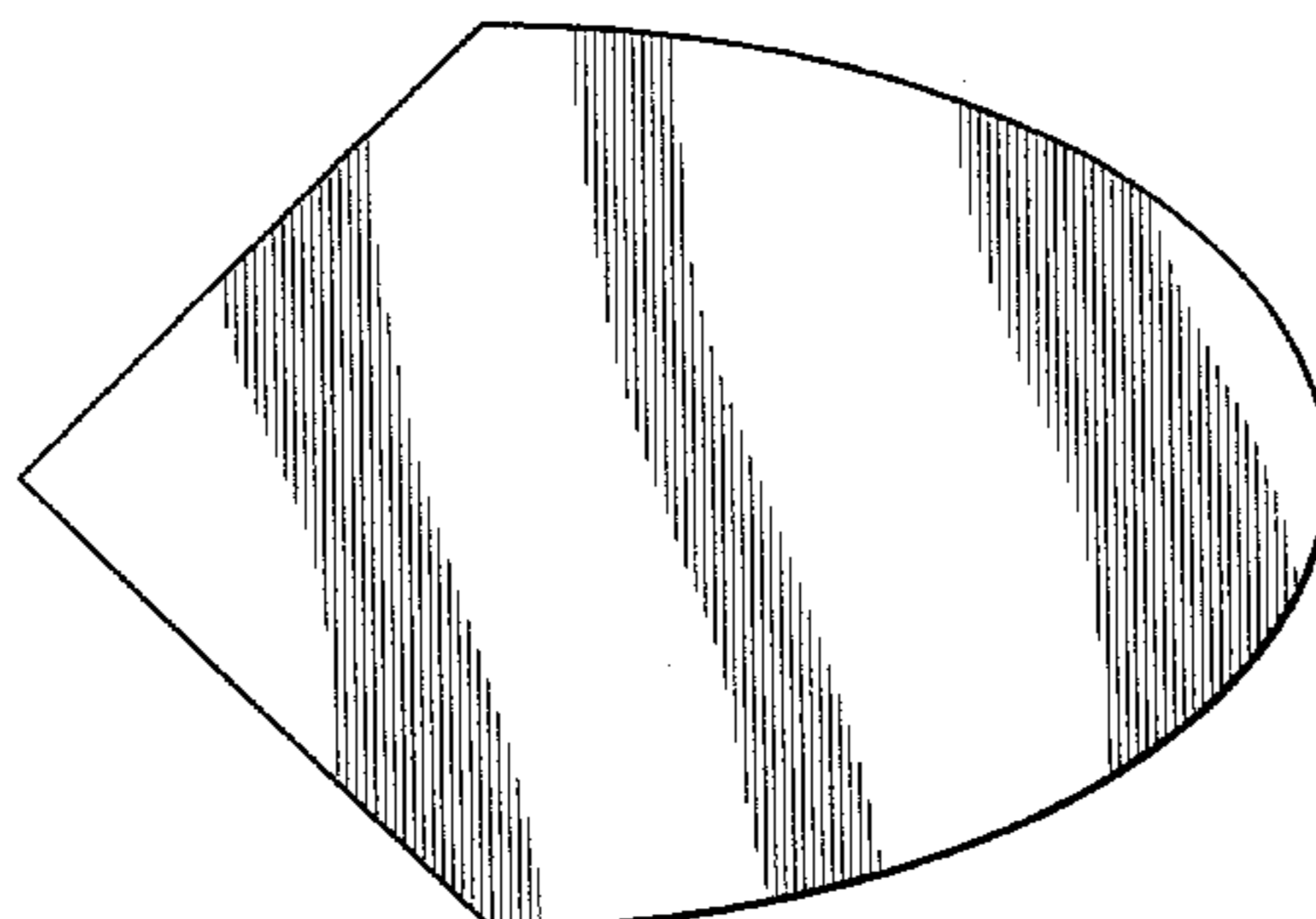
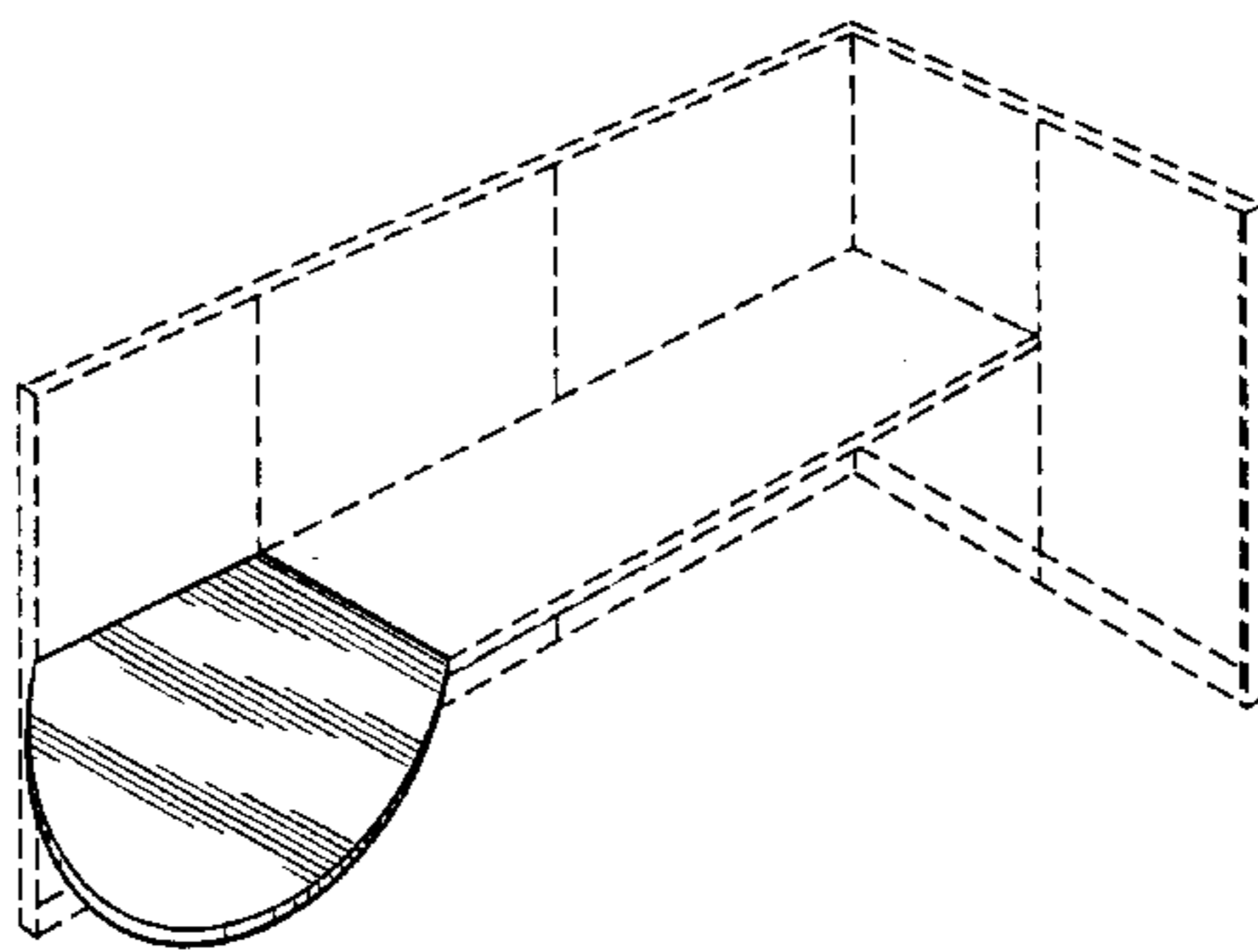
[57] **CLAIM**

We claim the ornamental design for a peninsular worksurface, as shown and described.

**DESCRIPTION**

FIG. 1 is a perspective view of a peninsular worksurface, showing our new design;  
FIG. 2 is a top plan view;  
FIG. 3 is a front elevational view;  
FIG. 4 is a right-hand side elevational view; and  
FIG. 5 is a left-hand side elevational view.  
FIG. 6 is a top plan view of a second embodiment of the peninsular worksurface shown in FIG. 1; and,  
FIG. 7 is a top plan view of a third embodiment of the peninsular worksurface shown in FIG. 1.  
The surfaces or portions of the article not shown in the drawing or described in the specification forms no part of the claimed design.

**1 Claim, 3 Drawing Sheets**



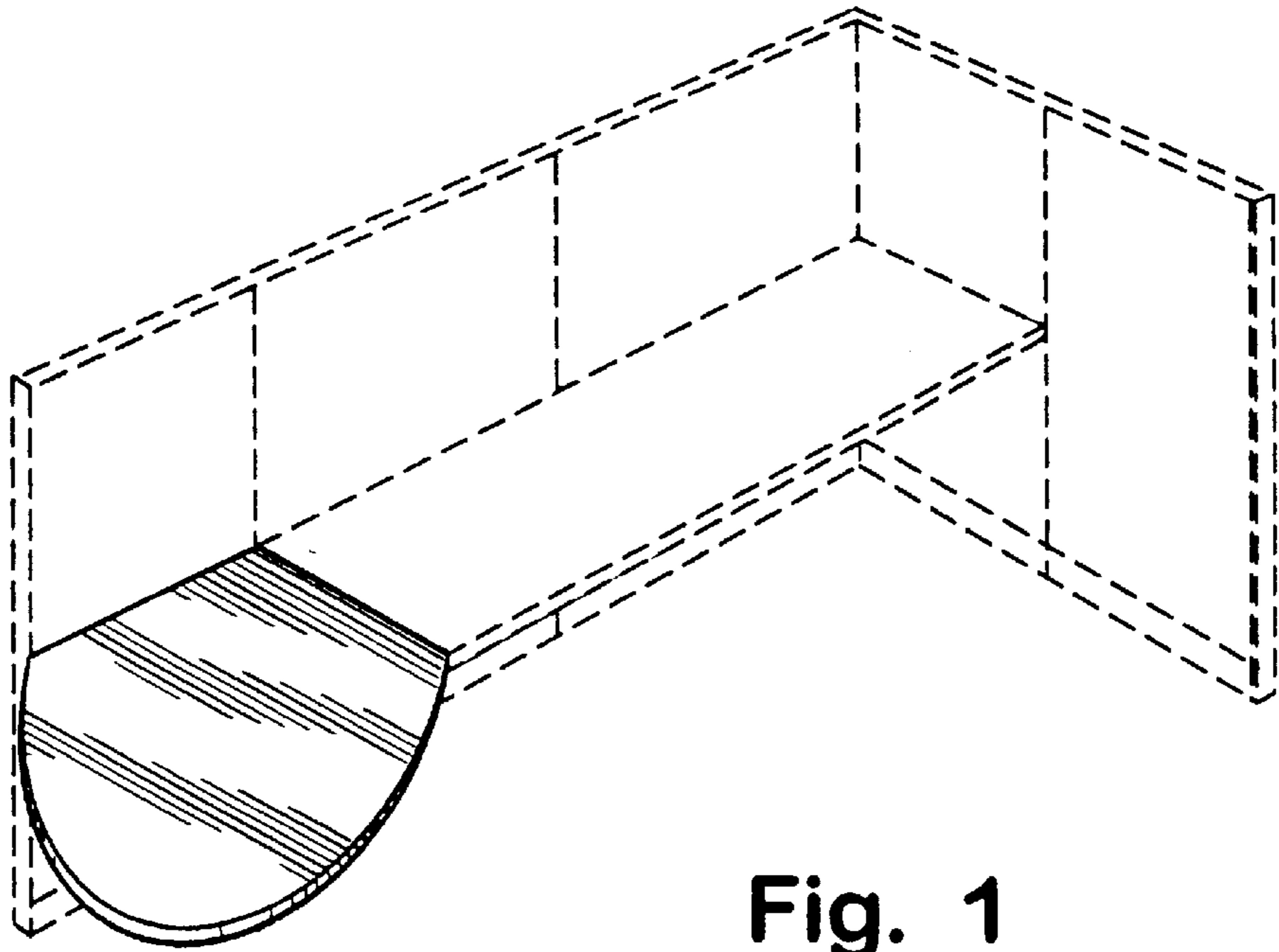


Fig. 1

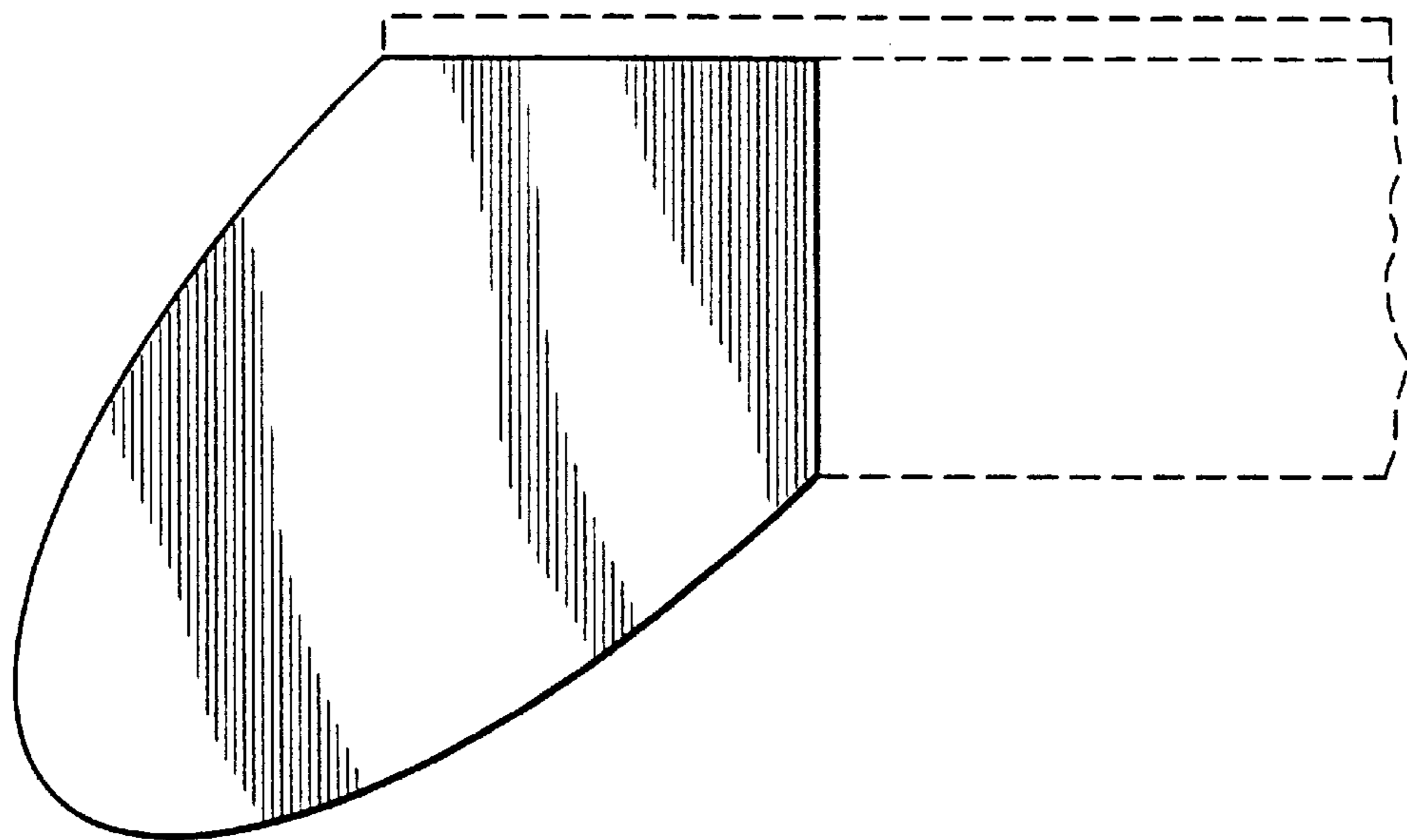


Fig. 2



Fig. 3



Fig. 4



Fig. 5

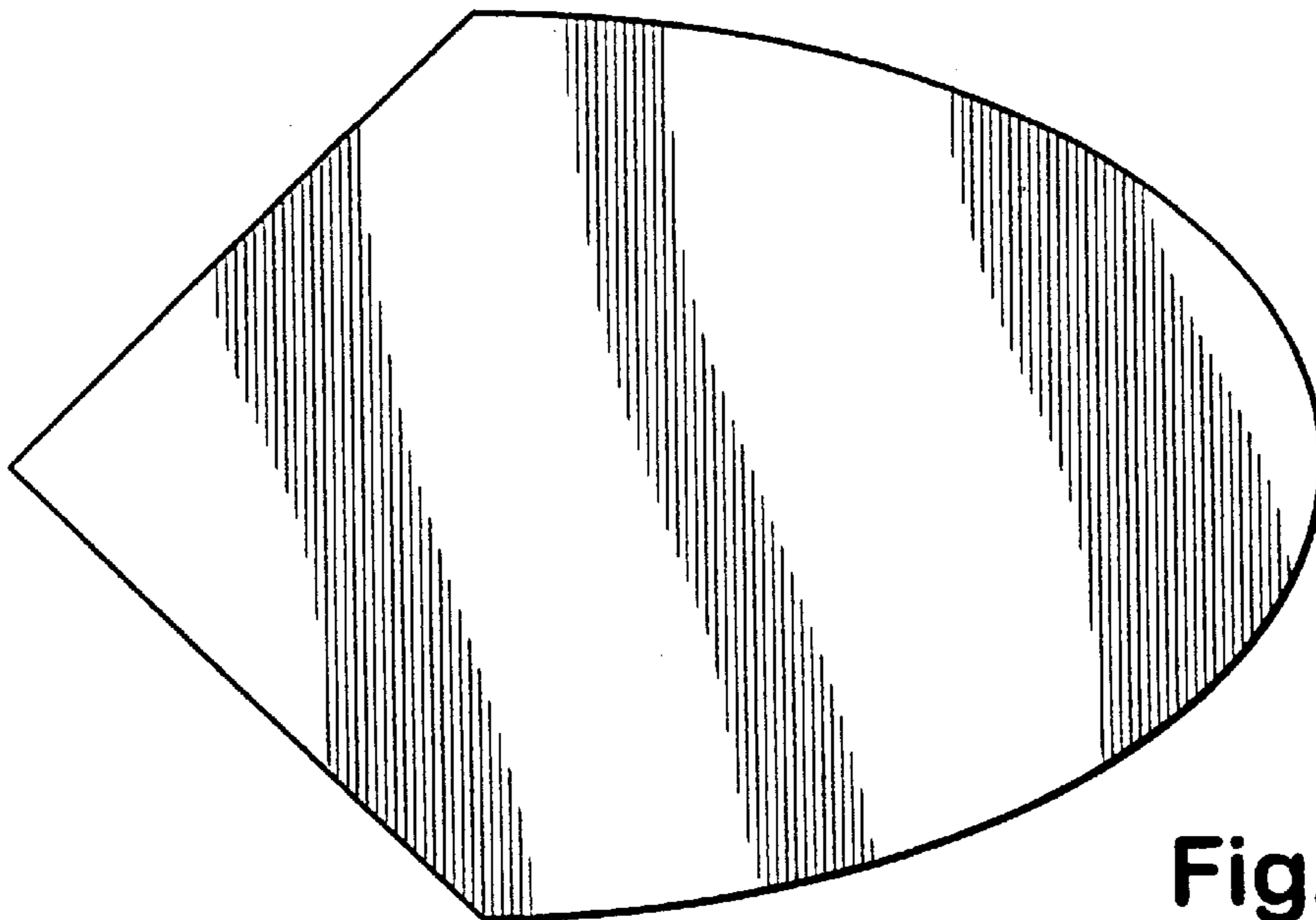


Fig. 6

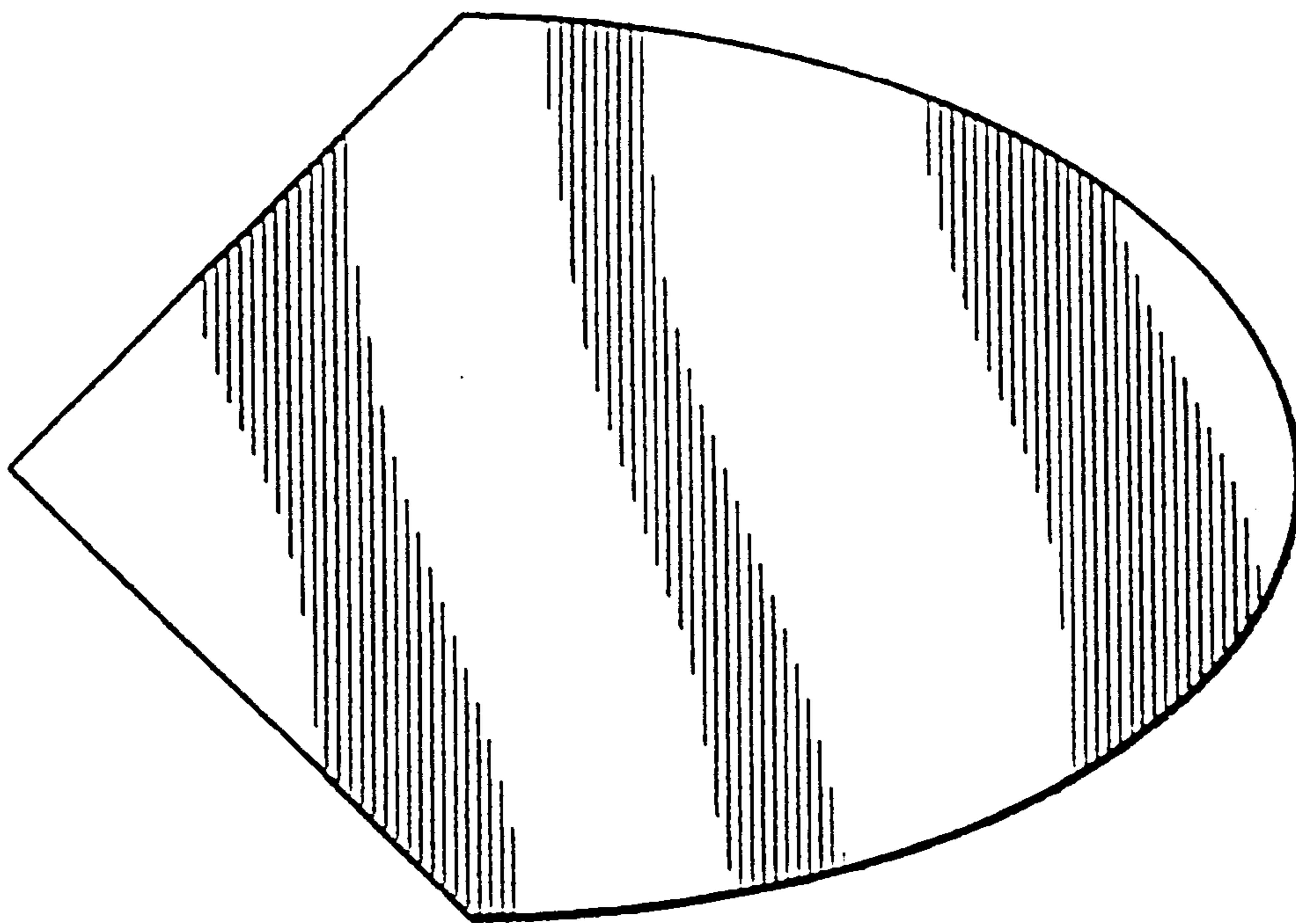


Fig. 7