



US00D415374S

United States Patent [19]
Zaidman

[11] **Patent Number: Des. 415,374**

[45] **Date of Patent: ** Oct. 19, 1999**

[54] **HEADBOARD**

D. 328,207 7/1992 White D6/505
4,856,127 8/1989 Lenger 5/53.1

[75] Inventor: **S. Paul Zaidman**, Winnipeg, Canada

[73] Assignee: **Palliser Furniture Ltd.**, Canada

[**] Term: **14 Years**

[21] Appl. No.: **29/075,840**

[22] Filed: **Aug. 29, 1997**

[30] **Foreign Application Priority Data**

Aug. 27, 1997 [CA] Canada 1997-2239

[51] **LOC (6) Cl.** **06-01**

[52] **U.S. Cl.** **D6/505**

[58] **Field of Search** D6/382-384, 388-395,
D6/505-508; 5/53.1, 279.1, 280, 281, 907,
285

[56] **References Cited**

U.S. PATENT DOCUMENTS

D. 76,923 11/1928 Feldman D6/393

OTHER PUBLICATIONS

Woodward and Lothrop Directions, p. 13.

Primary Examiner—Janice E. Seeger
Attorney, Agent, or Firm—Michael Best & Friedrich LLP

[57] **CLAIM**

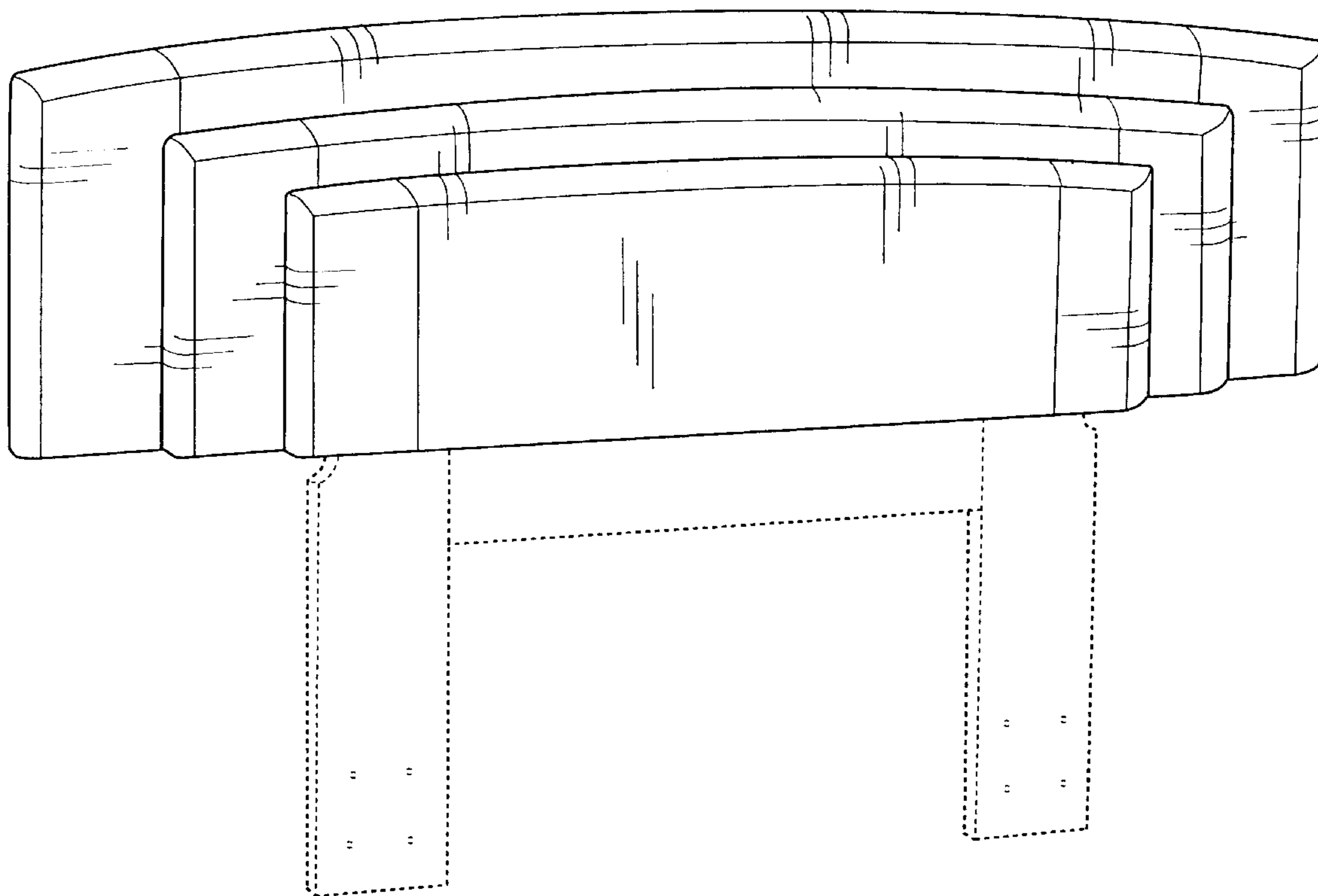
The ornamental design for a headboard, as shown and described.

DESCRIPTION

FIG. 1 is a perspective view of the design; and,
FIG. 2 is a front view of FIG. 1.

The broken lines are for environmental purposes only and form no part of the claimed design.

1 Claim, 2 Drawing Sheets



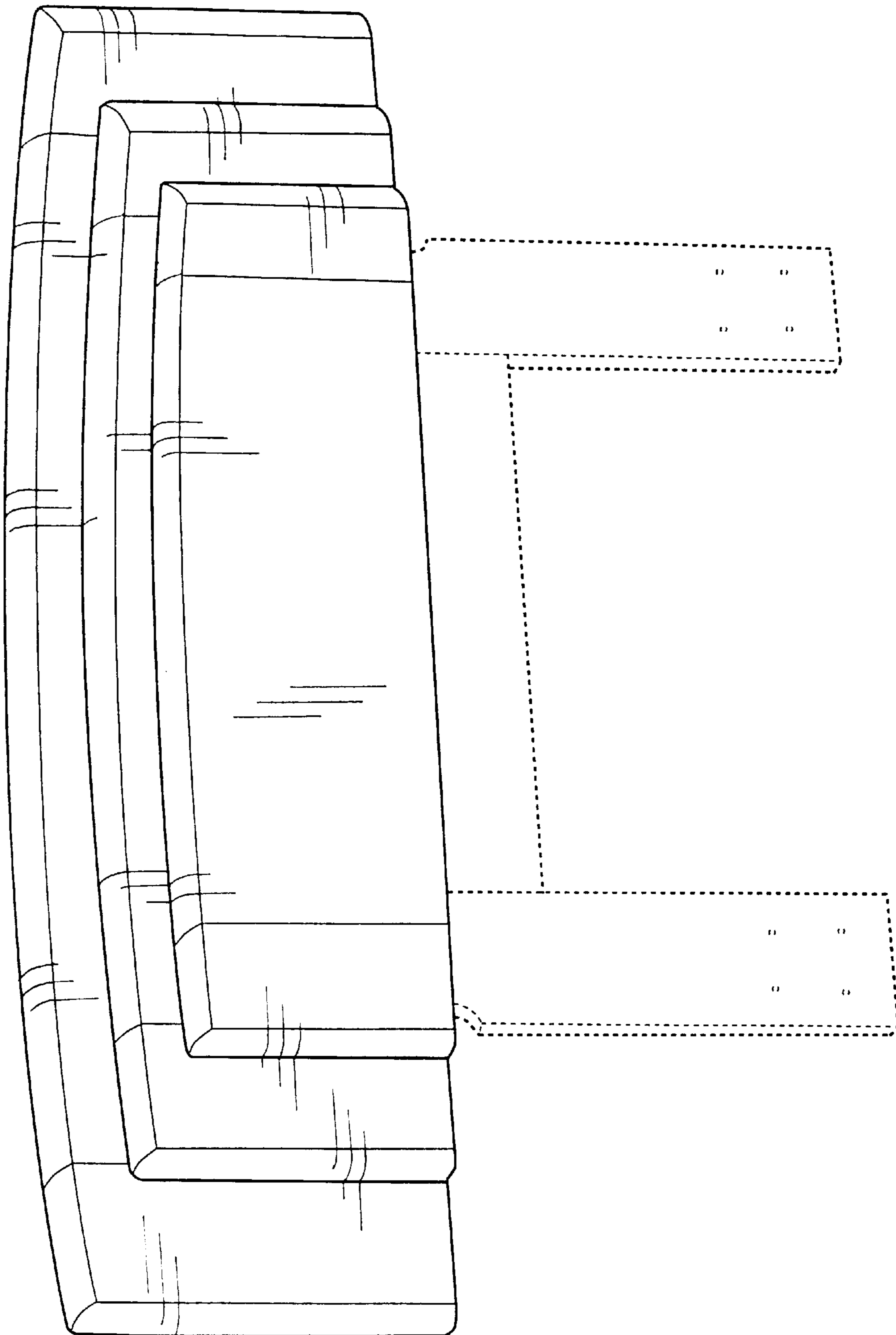


FIG. 1

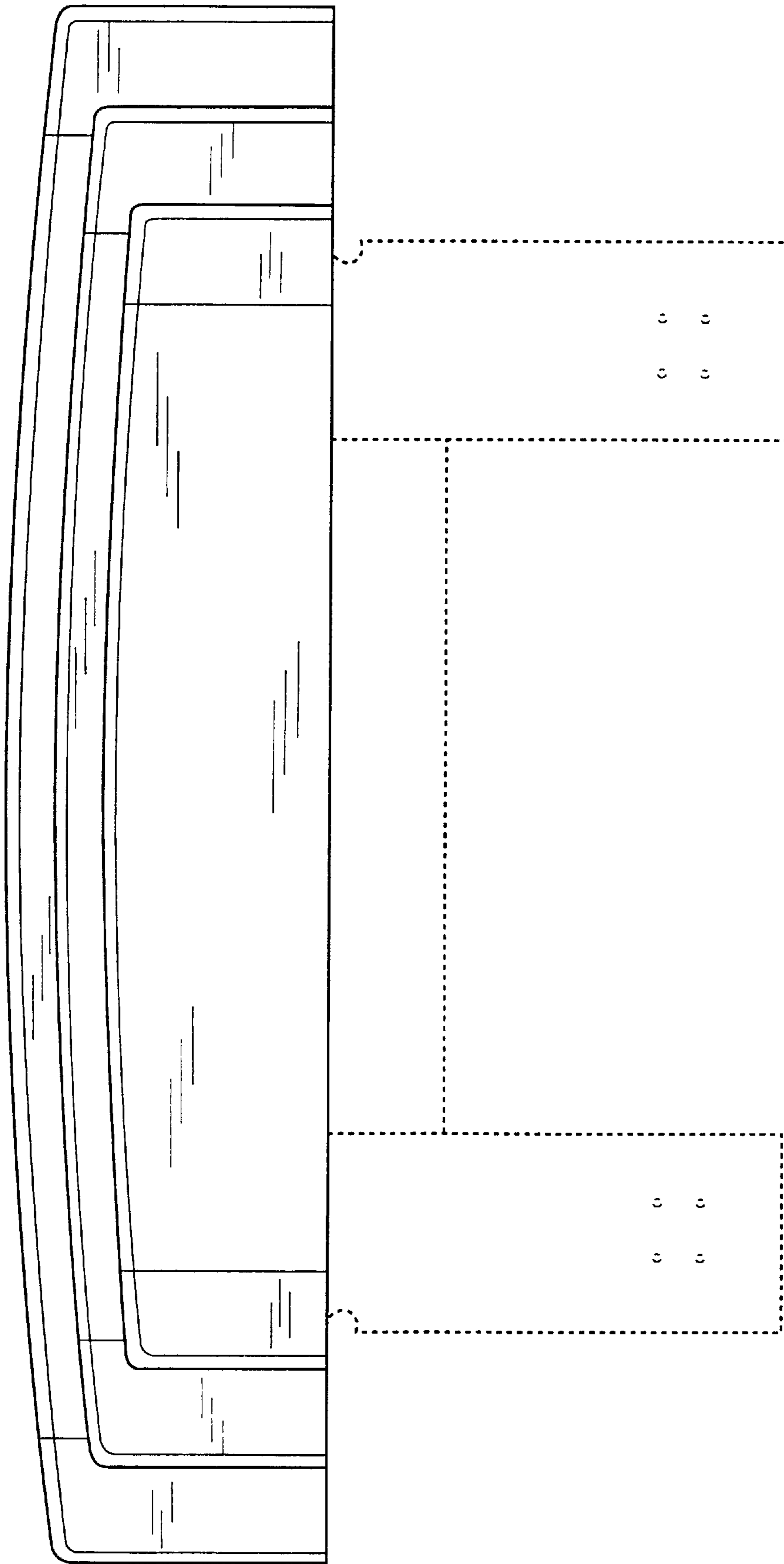


FIG. 2