



US00D415361S

United States Patent [19]
Moreau

[11] **Patent Number: Des. 415,361**

[45] **Date of Patent: ** Oct. 19, 1999**

[54] **BOOT STOOL**

[76] Inventor: **Eric C. Moreau**, 39 Cairns Boulevard,
Midhurst, Ontario, Canada, L4M 4S5

[**] Term: **14 Years**

[21] Appl. No.: **29/093,933**

[22] Filed: **Sep. 22, 1998**

[51] **LOC (6) Cl.** **06-01**

[52] **U.S. Cl.** **D6/349**

[58] **Field of Search** D6/349, 351-353;
297/461, 462, 423.1, 423.14, 423.15, 423.39,
175

[56] **References Cited**

U.S. PATENT DOCUMENTS

D. 97,846 12/1935 Ely D6/349

D. 234,277 2/1975 Salmon D6/349
D. 401,426 11/1998 Hu et al. D6/349
2,102,261 12/1937 Fotre 297/423.14

Primary Examiner—Janice E. Seeger
Attorney, Agent, or Firm—Merek & Voorhees

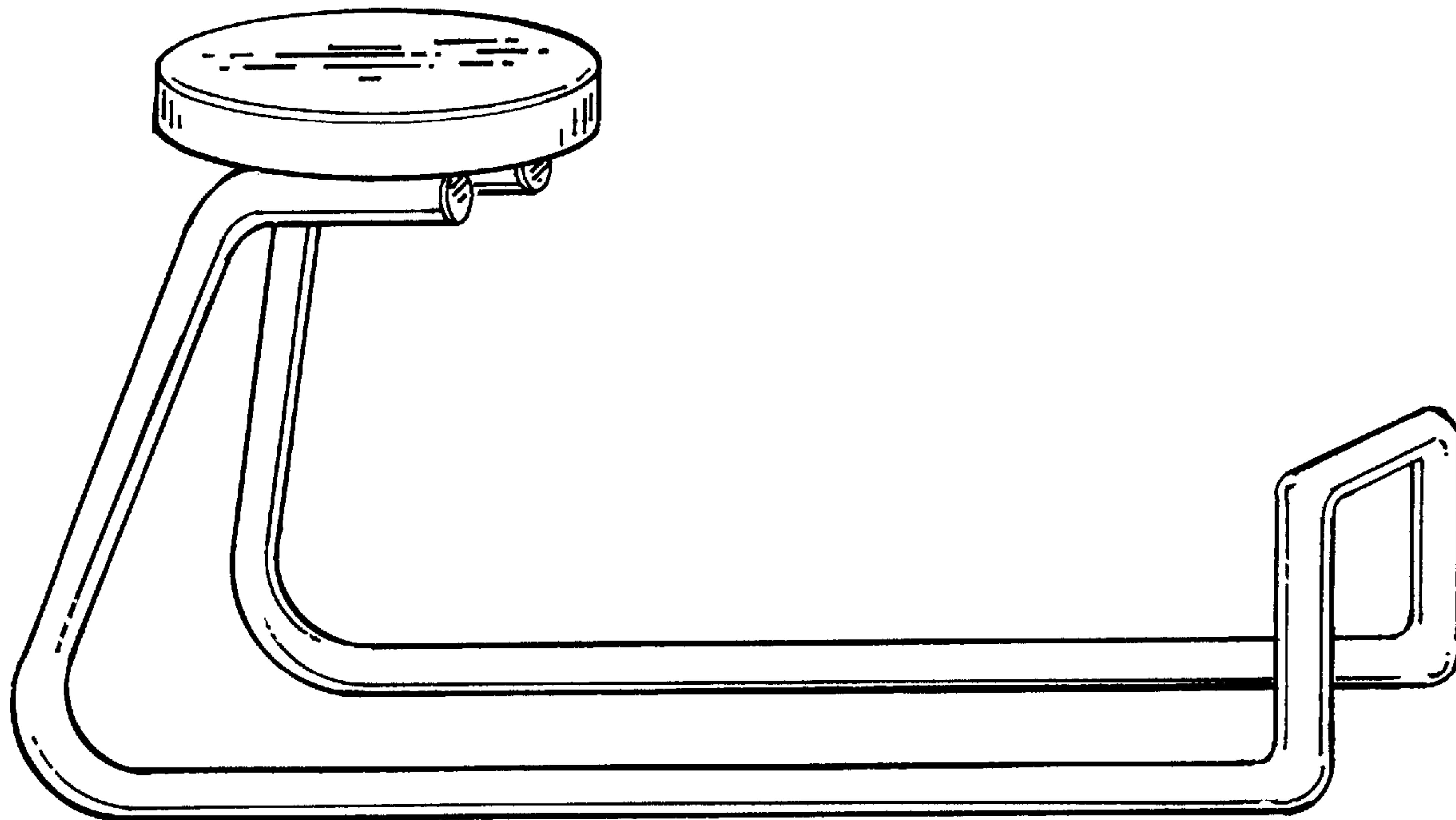
[57] **CLAIM**

The ornamental design for a boot stool, as shown and described.

DESCRIPTION

FIG. 1 is a side elevational view of the boot stool the opposite side being a mirror image thereof; FIG. 2 is a front elevational view thereof; FIG. 3 is a bottom elevational view thereof; and, FIG. 4 is an upper side perspective view thereof.

1 Claim, 4 Drawing Sheets



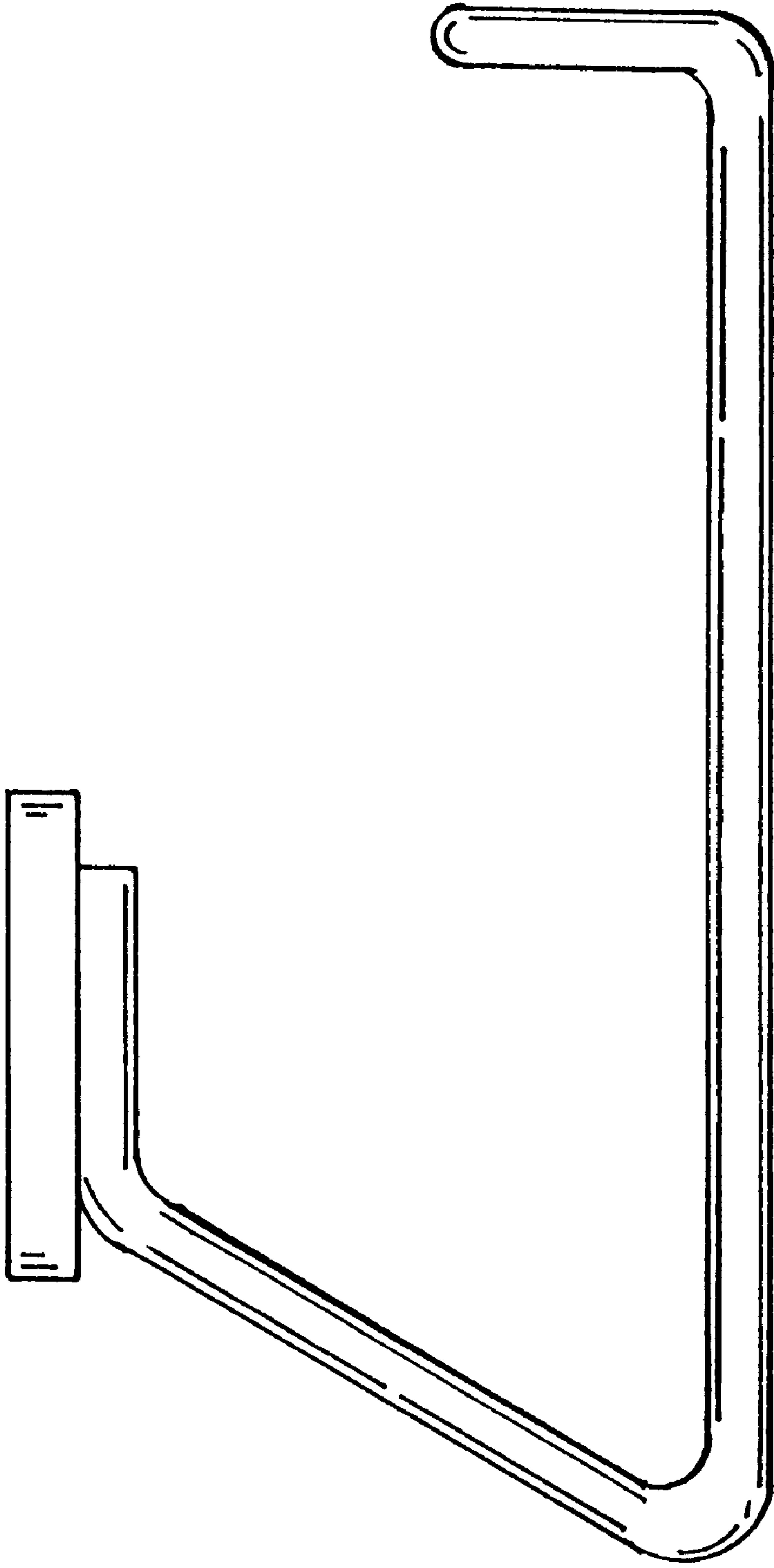


FIGURE # 1

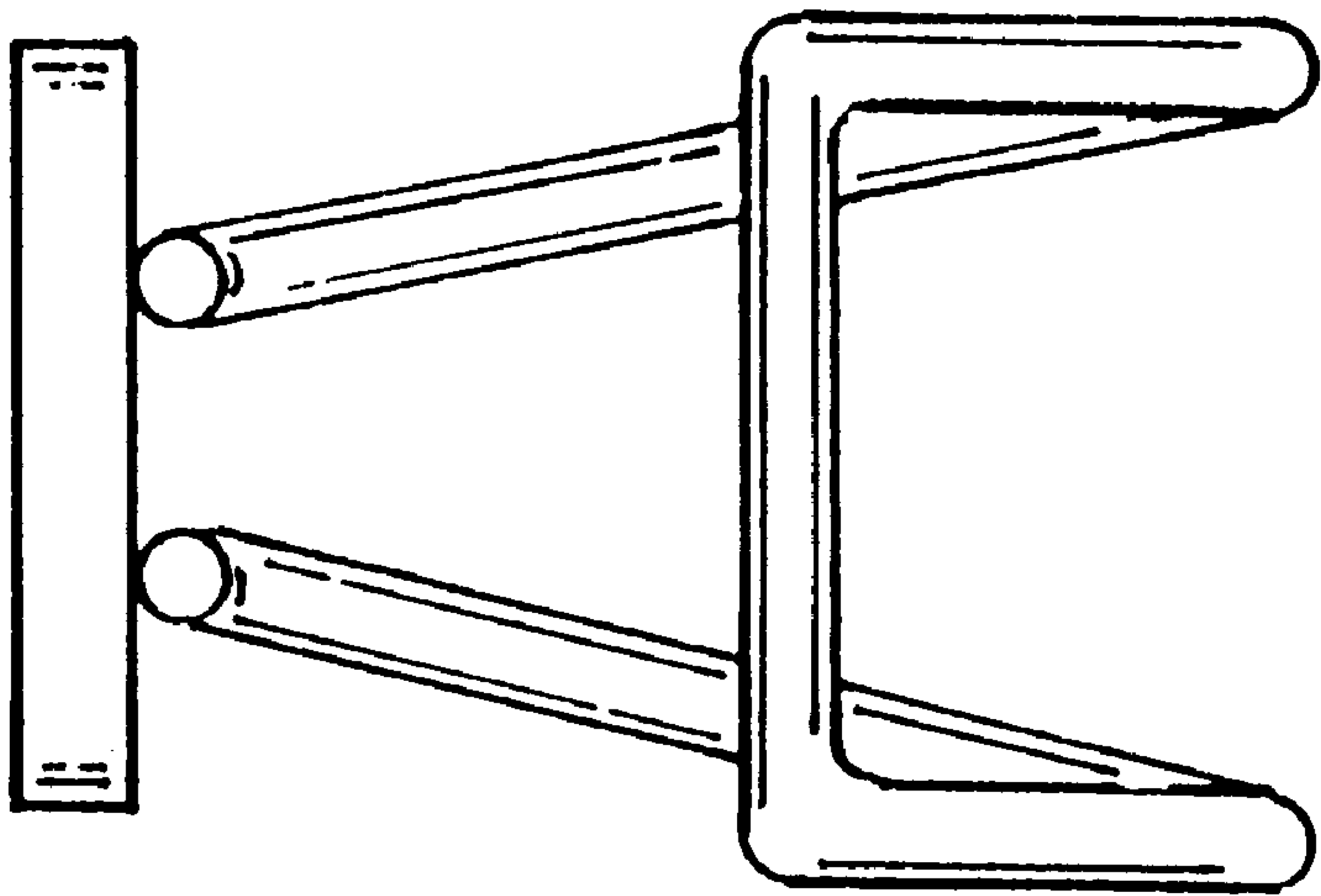


FIGURE # 2

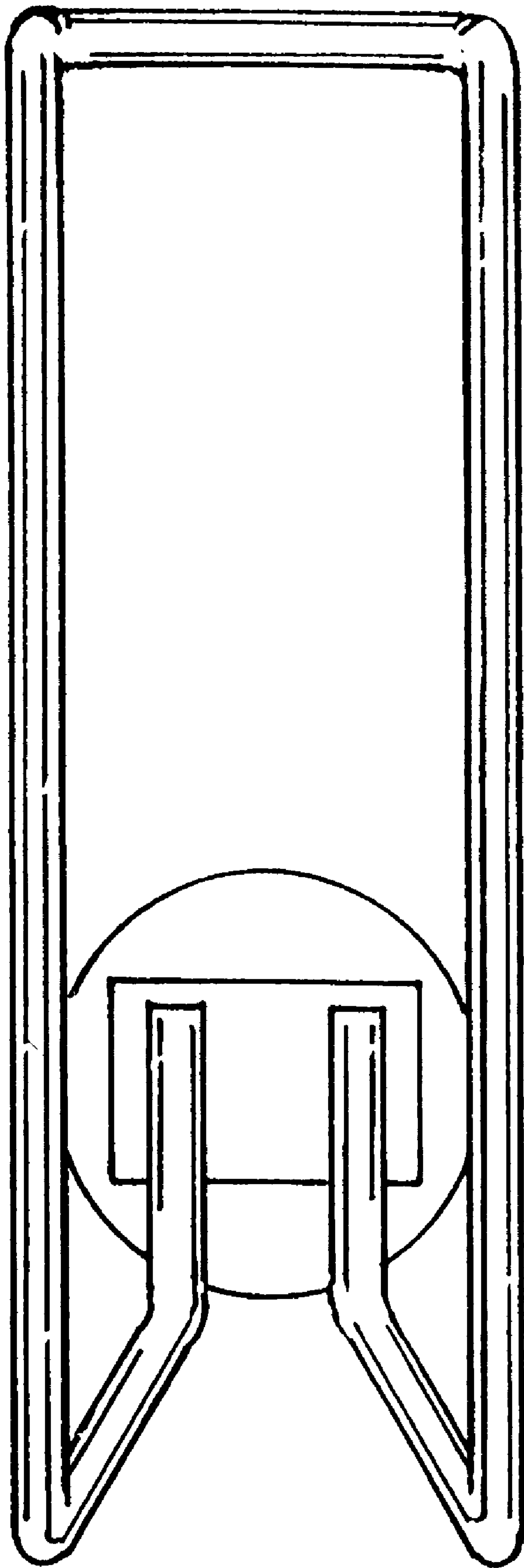


FIGURE # 3

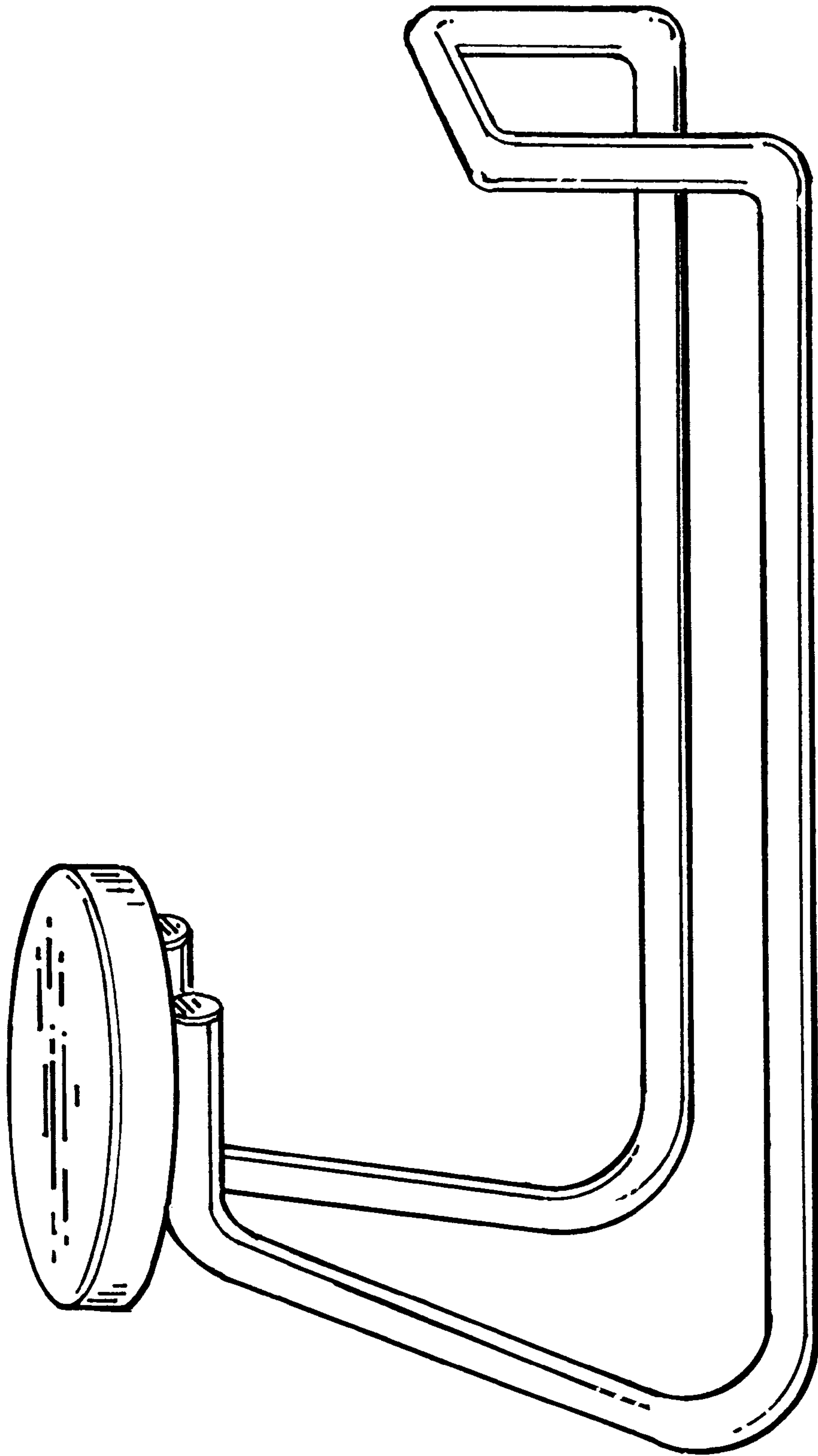


FIGURE # 4