



US00D415359S

United States Patent [19] Boyd

[11] Patent Number: **Des. 415,359**

[45] Date of Patent: **** Oct. 19, 1999**

[54] **COMBINED MOBILE FOOT REST, SUPPORT SURFACE AND STORAGE COMPARTMENT**

[76] Inventor: **Roosevelt Boyd**, 1804 SW. 24th, Topeka, Kans. 66611

[**] Term: **14 Years**

[21] Appl. No.: **29/091,085**

[22] Filed: **Jul. 22, 1998**

[51] **LOC (6) Cl.** **06-01**

[52] **U.S. Cl.** **D6/336; D6/349**

[58] **Field of Search** D6/335, 336, 349, D6/350, 367, 484; D34/21; 280/79.2; 297/188.01, 423.41, 461, 462

2,869,620 1/1959 Gleitsman .
2,907,375 10/1959 Gleitsman et al. .
3,097,886 7/1963 Small .
5,597,199 1/1997 Hoffman et al. .

FOREIGN PATENT DOCUMENTS

665884 12/1928 France .
181767 4/1936 Germany .

Primary Examiner—Doris V. Coles
Assistant Examiner—Mimosa De
Attorney, Agent, or Firm—Richard C. Litman

[57] CLAIM

The ornamental design for a combined mobile foot rest, support surface and storage compartment, as shown and described.

[56] References Cited

U.S. PATENT DOCUMENTS

86,744	2/1869	Ganiard	297/462
D. 151,983	12/1948	Guertin	D6/349
D. 160,390	10/1950	Hubbert	D6/349
D. 247,594	3/1978	Corson et al.	D6/349
D. 250,860	1/1979	Castro	D6/349
D. 295,001	4/1988	Ferdinand et al.	D6/349
D. 351,508	10/1994	Bonazza	D6/349
789,813	5/1905	Longley .	
1,248,358	11/1917	McLaughlin .	
1,427,583	8/1922	Davis .	
1,986,563	1/1935	Eberhardt .	
2,667,658	2/1954	Cornick .	
2,725,923	12/1955	Bachrach	297/461
2,798,732	7/1957	Craig .	

DESCRIPTION

FIG. 1 is a front elevational view of a combined mobile foot rest, support surface and storage compartment showing my new design;

FIG. 2 is a rear elevational view thereof;

FIG. 3 is a right side elevational view thereof;

FIG. 4 is a left side elevational view thereof;

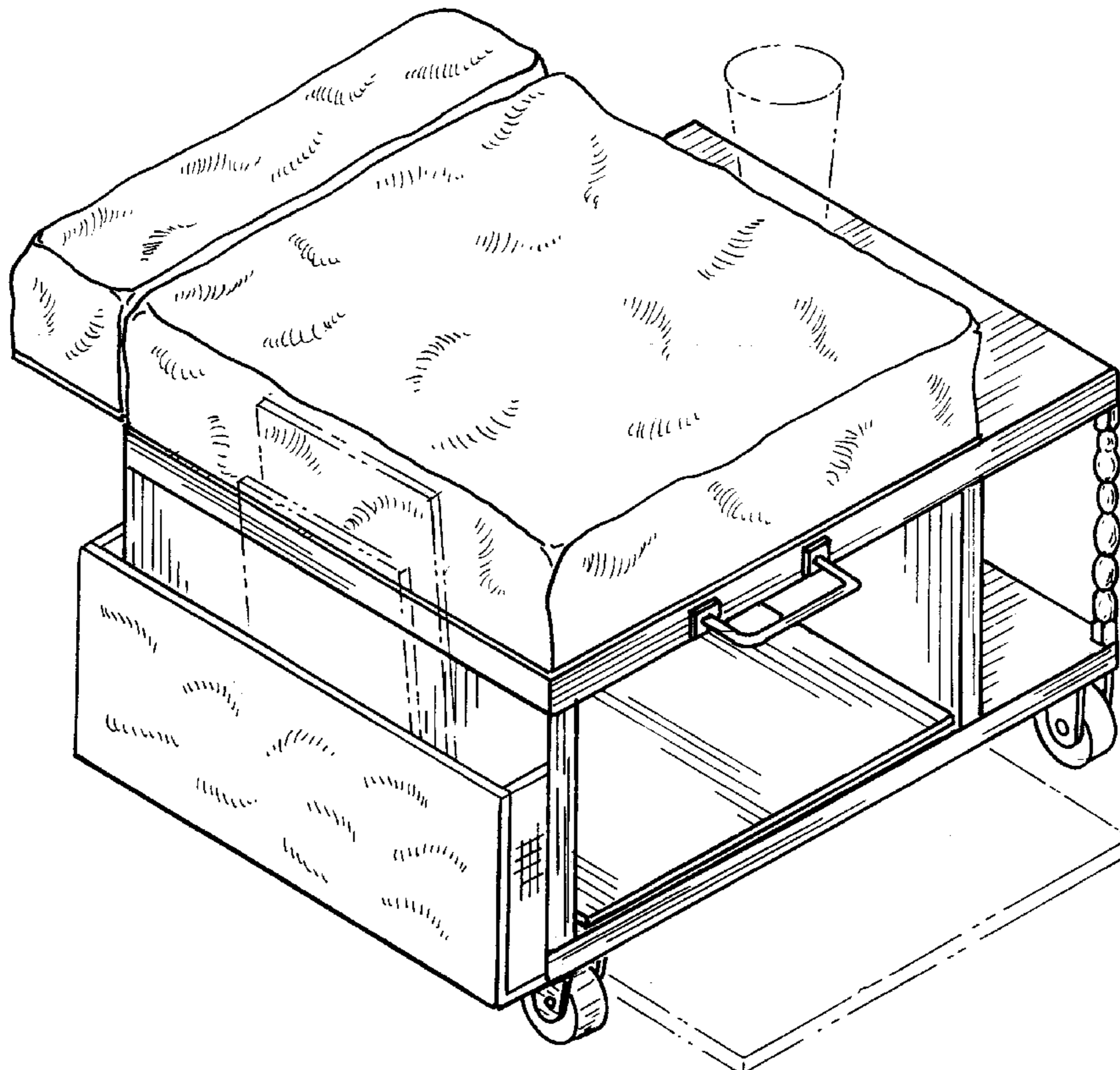
FIG. 5 is a top view thereof;

FIG. 6 is a bottom view thereof; and,

FIG. 7 is a perspective view thereof.

The broken lines representing magazines and a drinking cup is for illustrative purposes only and form no part of the claimed design.

1 Claim, 4 Drawing Sheets



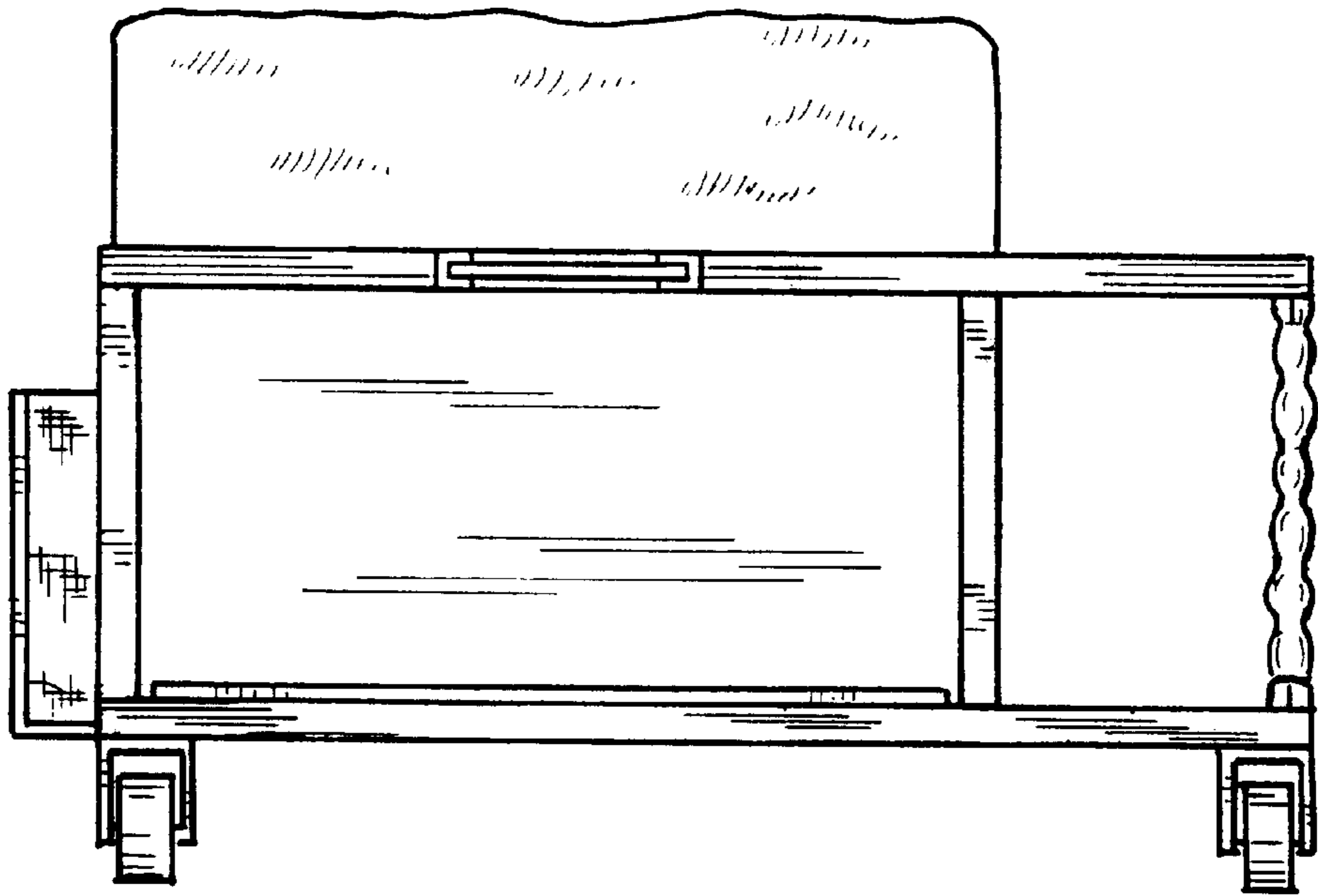


FIG. 1

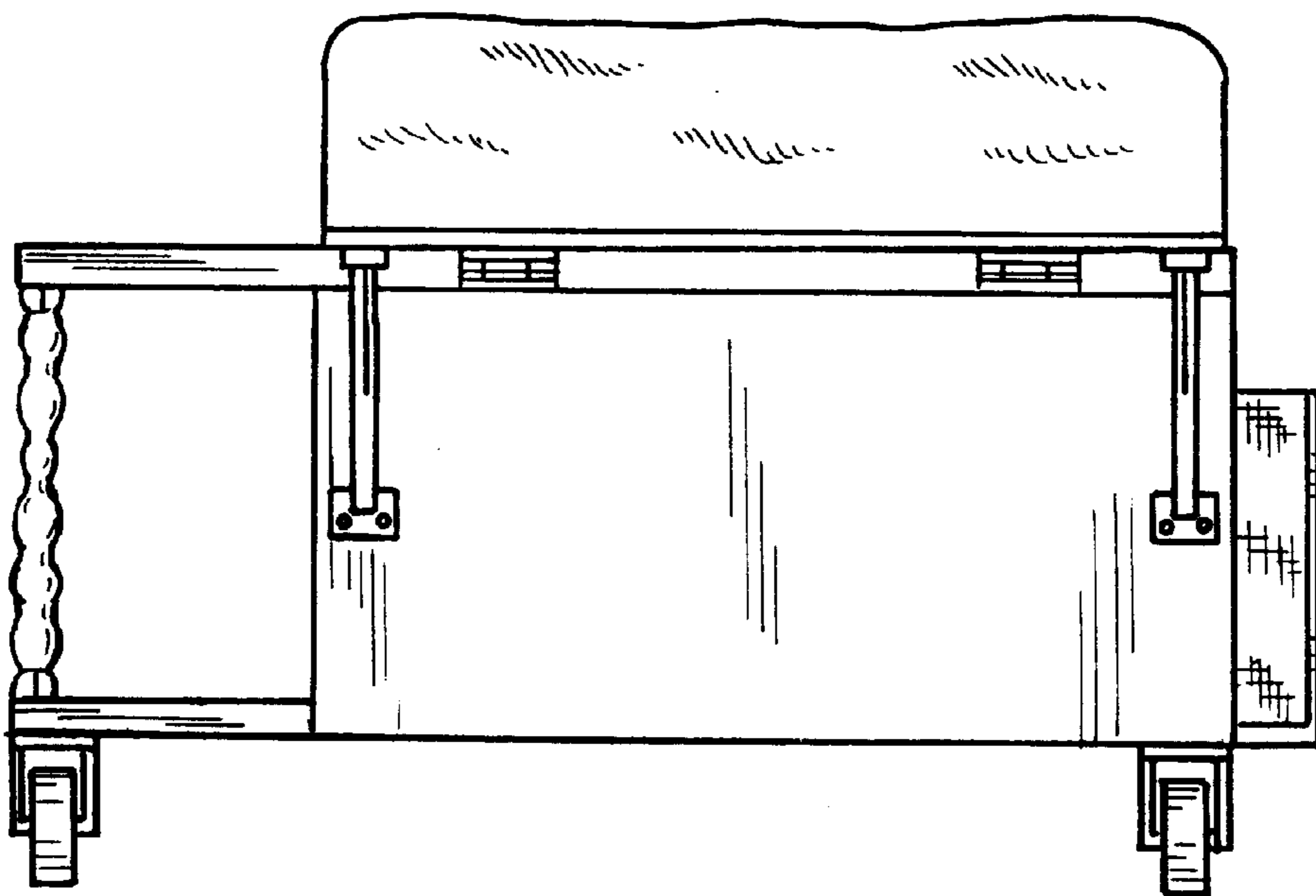


FIG. 2

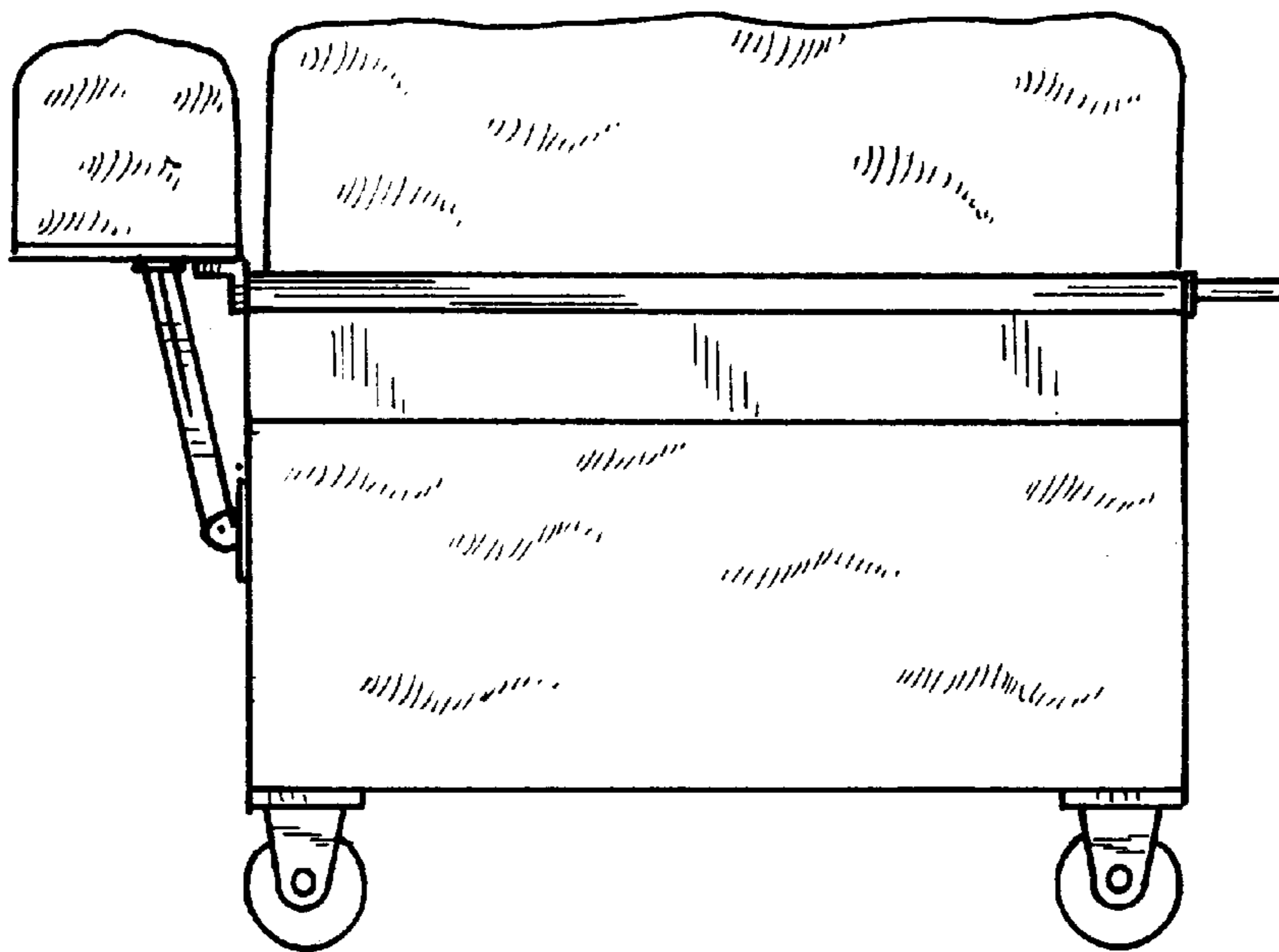


FIG. 3

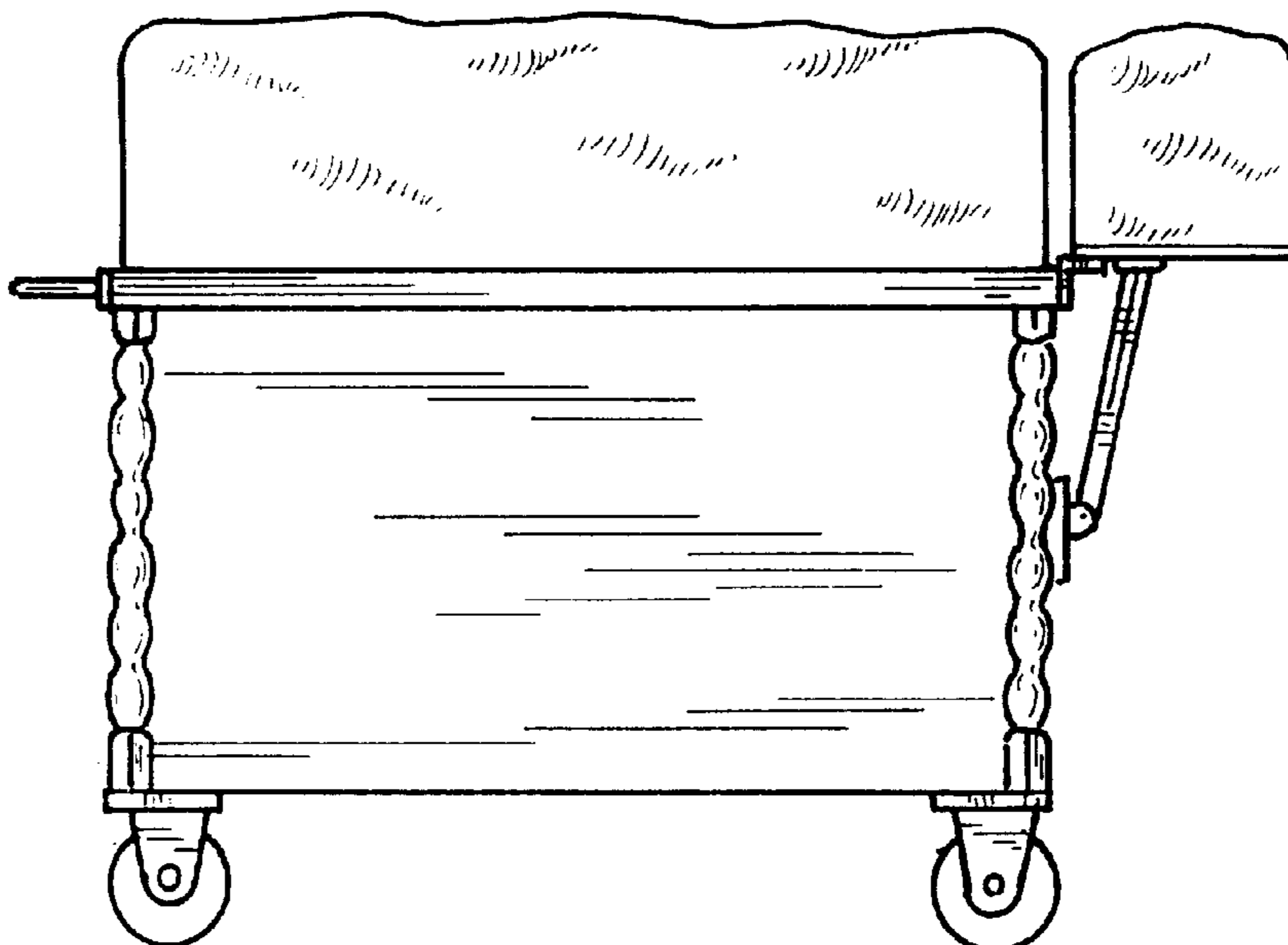


FIG. 4

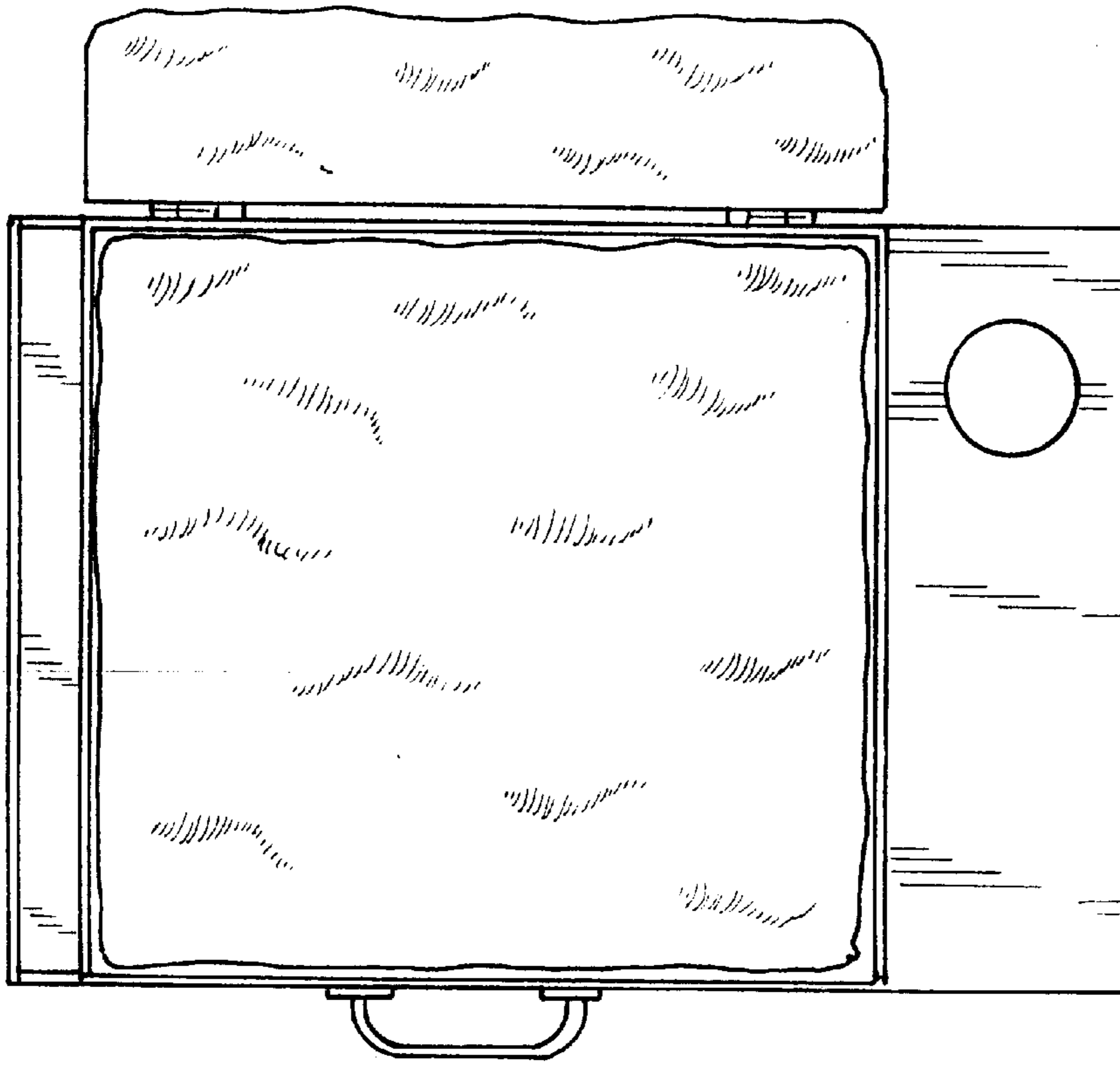


FIG. 5

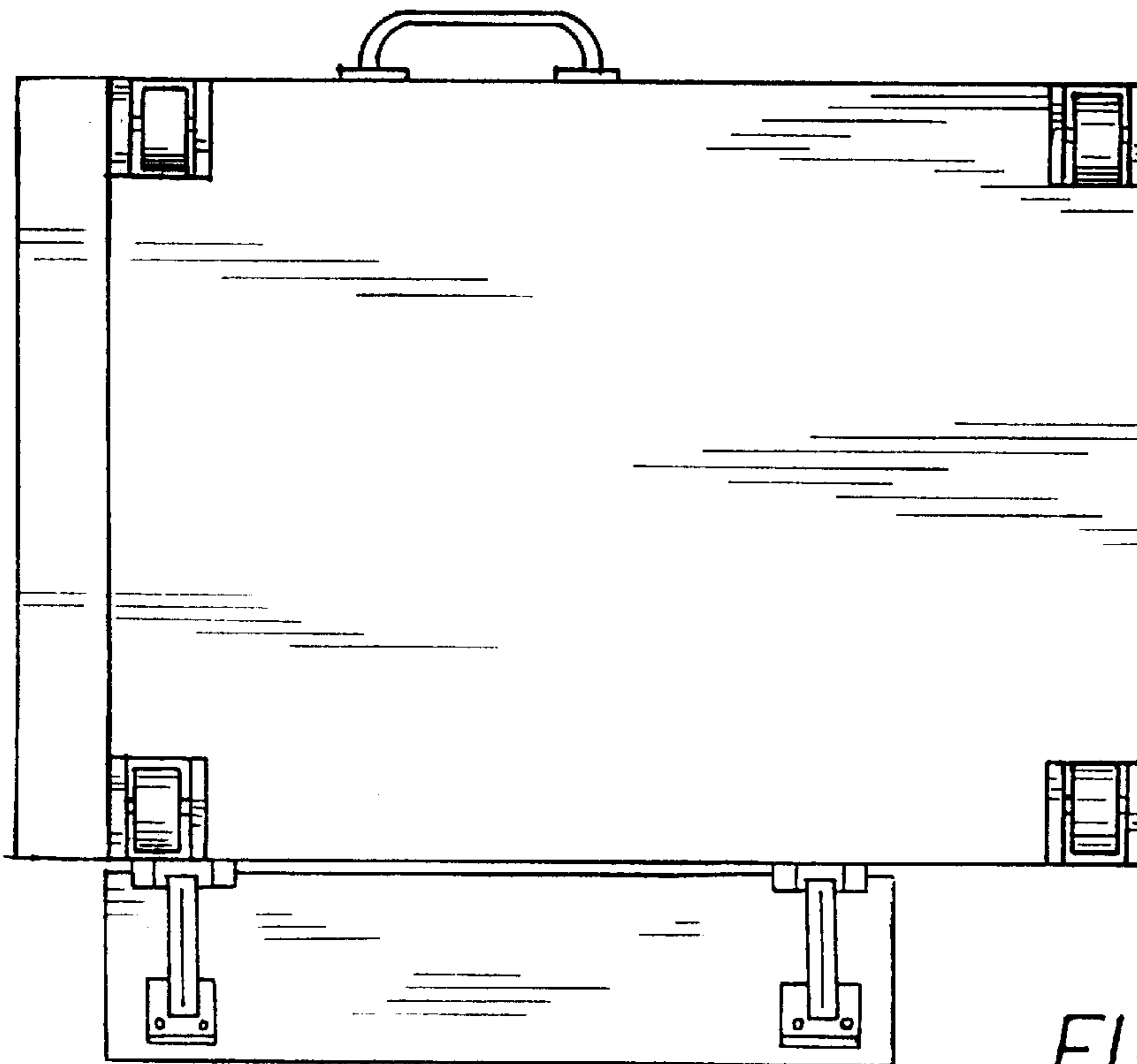


FIG. 6

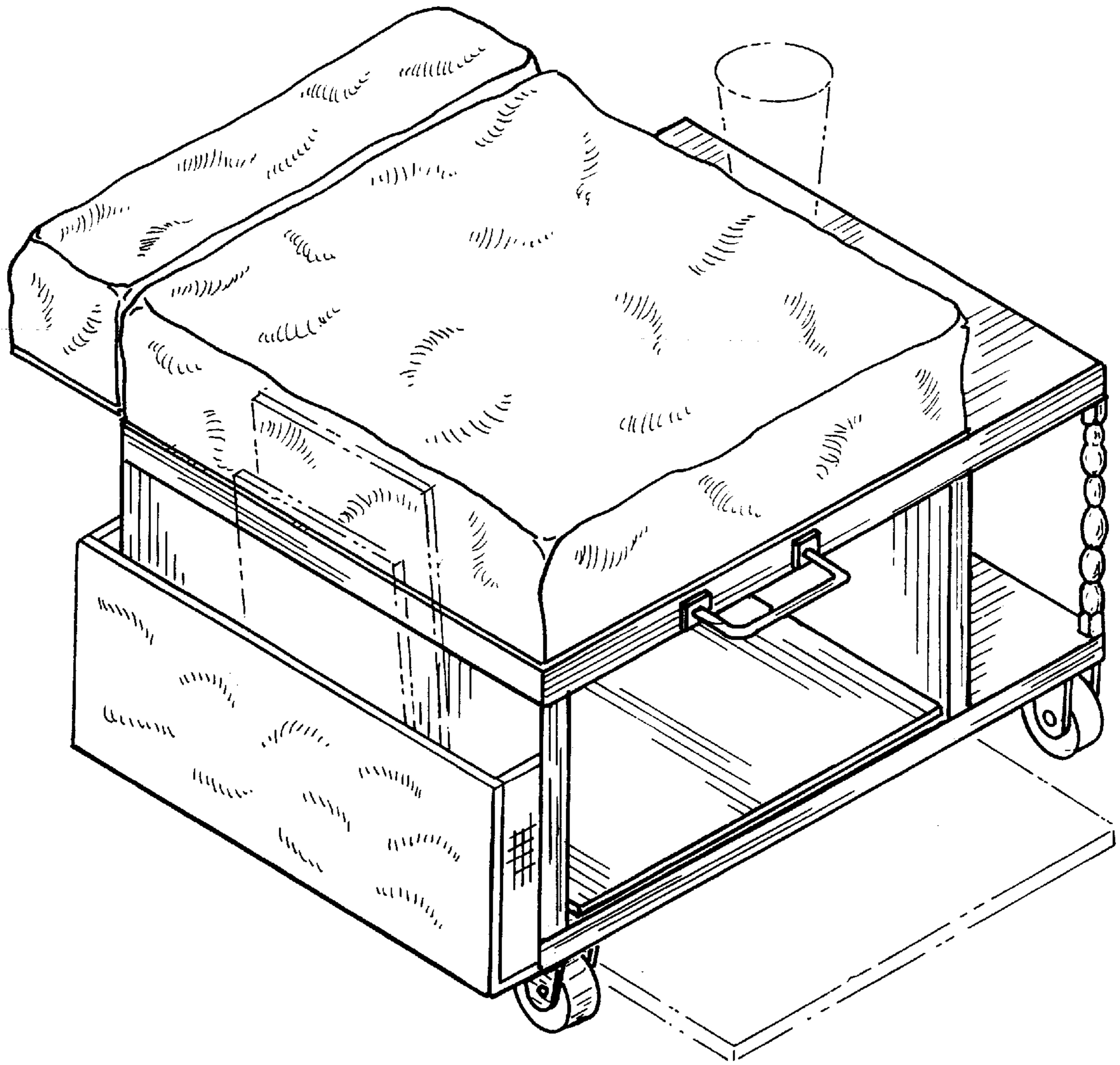


FIG. 7