



US00D415357S

United States Patent [19]
Blanchard

[11] **Patent Number: Des. 415,357**

[45] **Date of Patent: ** Oct. 19, 1999**

[54] **GARMENT HANGER**

D. 381,523 7/1997 Beverly D6/326
5,398,854 3/1995 Blanchard 223/96

[75] Inventor: **Russell O. Blanchard**, Zeeland, Mich.

Primary Examiner—B. J. Bullock
Attorney, Agent, or Firm—Baker & McKenzie

[73] Assignee: **Batts, Inc.**, Zeeland, Mich.

[**] Term: **14 Years**

[57] **CLAIM**

[21] Appl. No.: **29/087,349**

The ornamental design for a garment hanger, as shown and described.

[22] Filed: **Apr. 27, 1998**

DESCRIPTION

[51] **LOC (6) Cl.** **06-08**

FIG. 1 is a perspective view of a garment hanger embodying my invention;

[52] **U.S. Cl.** **D6/326**

FIG. 2 is a side elevational view thereof, both sides being identical;

[58] **Field of Search** D6/315, 317, 326,
D6/513; 211/113; 223/85, 95, 96, 88, 91-93

FIG. 3 is a fragmentary front elevational view thereof;

FIG. 4 is a top plan view thereof;

FIG. 5 is a fragmentary rear elevational view thereof; and,

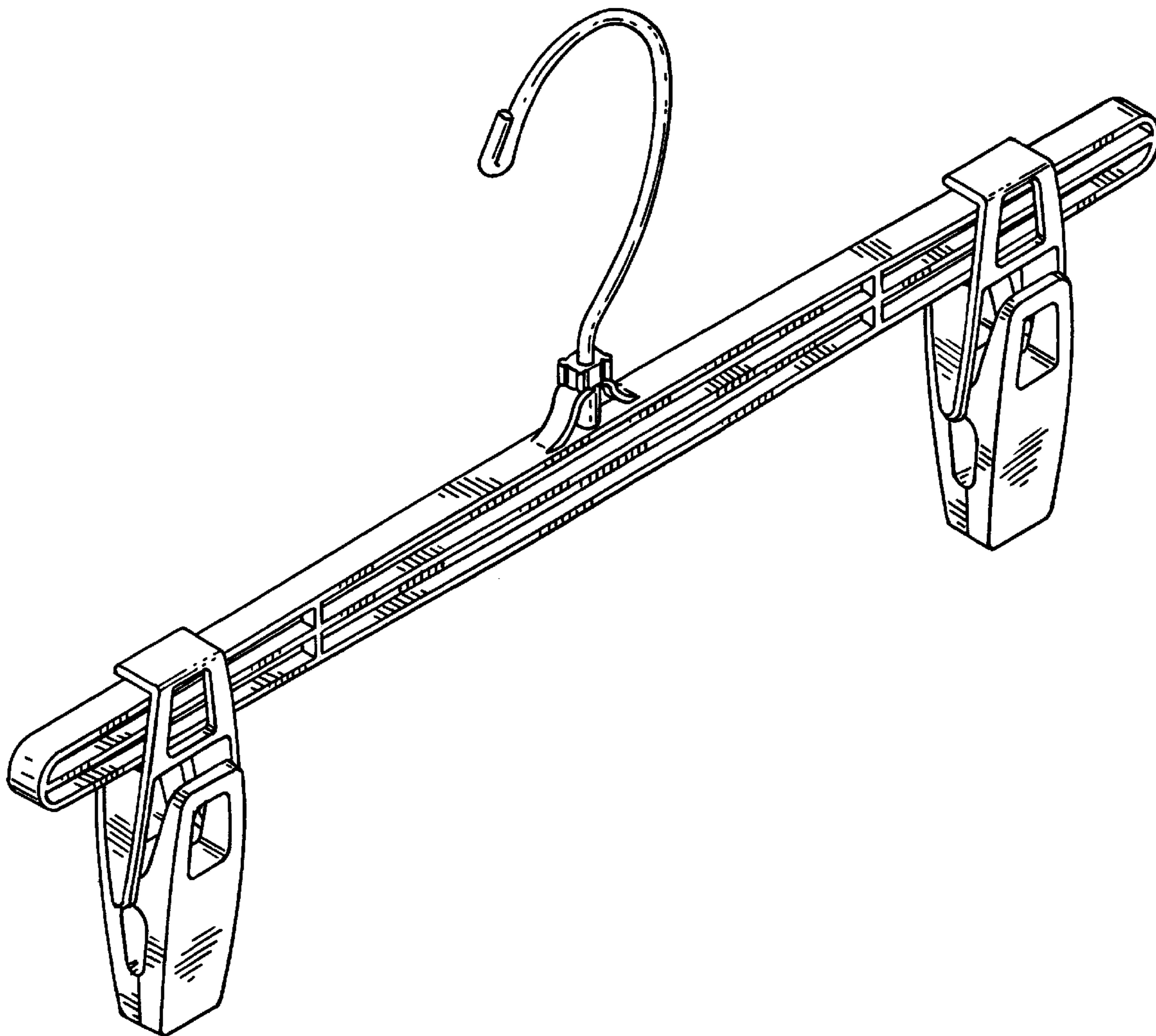
FIG. 6 is a bottom view thereof.

[56] **References Cited**

U.S. PATENT DOCUMENTS

D. 328,194 7/1992 Garrison D6/317
D. 334,846 4/1993 Blanchard D6/317

1 Claim, 3 Drawing Sheets



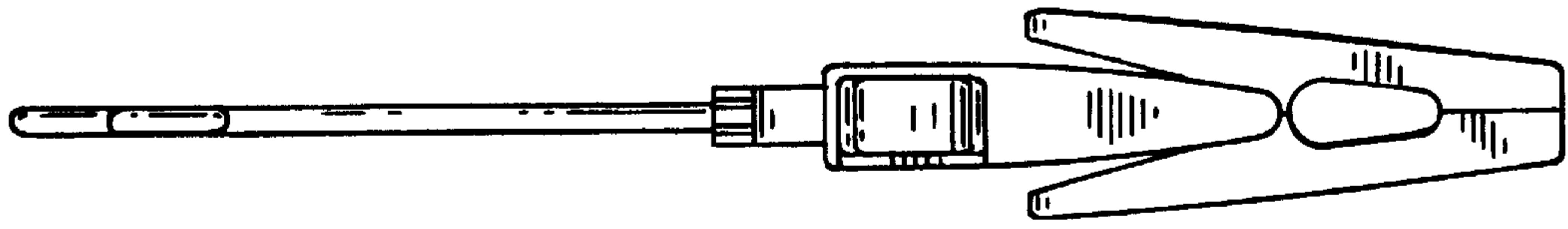


FIG. 2.

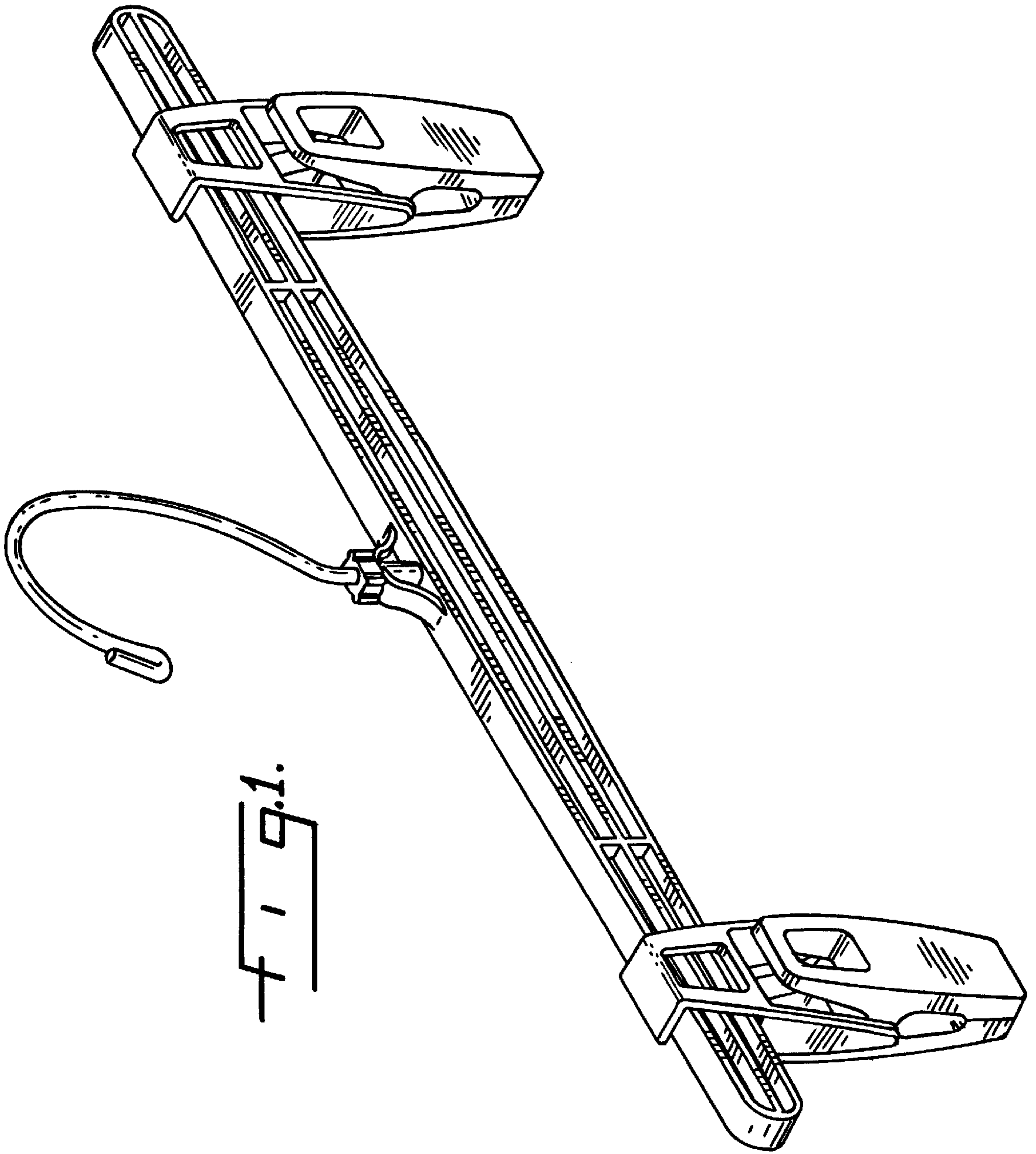
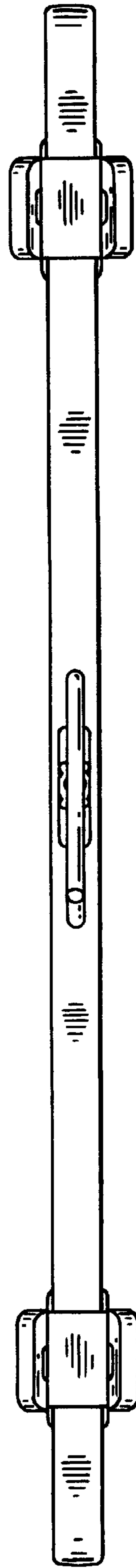
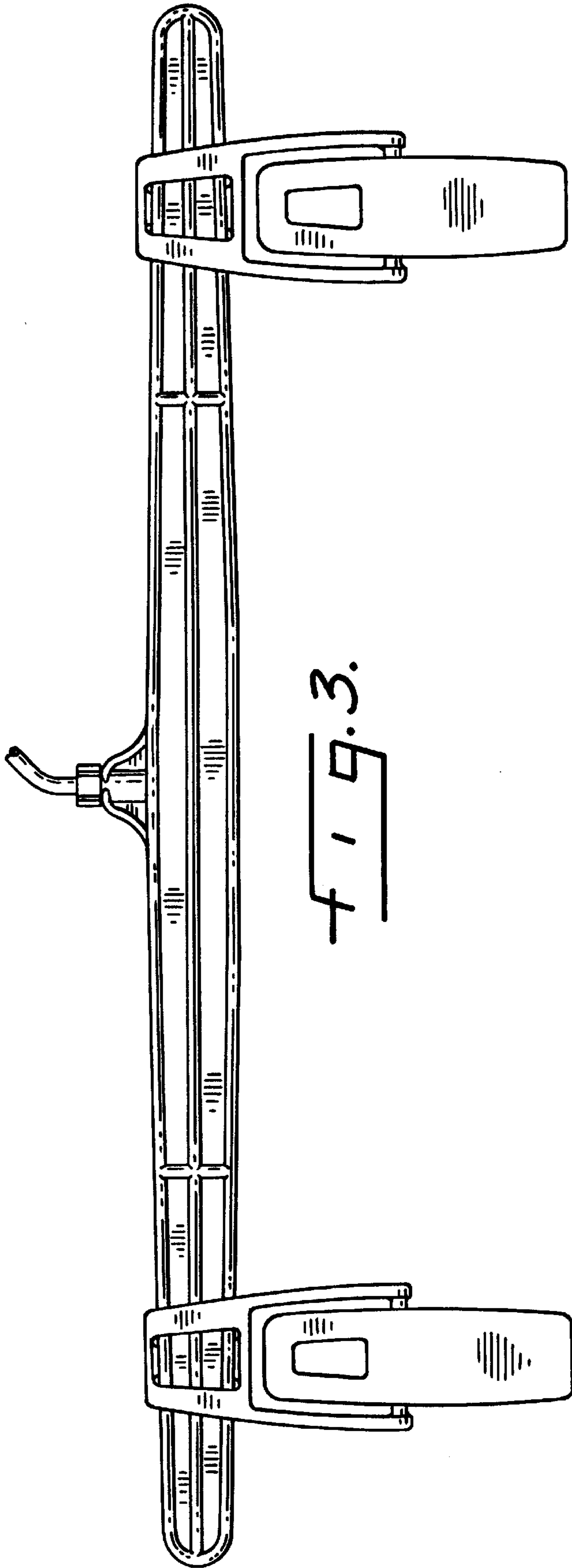


FIG. 1.



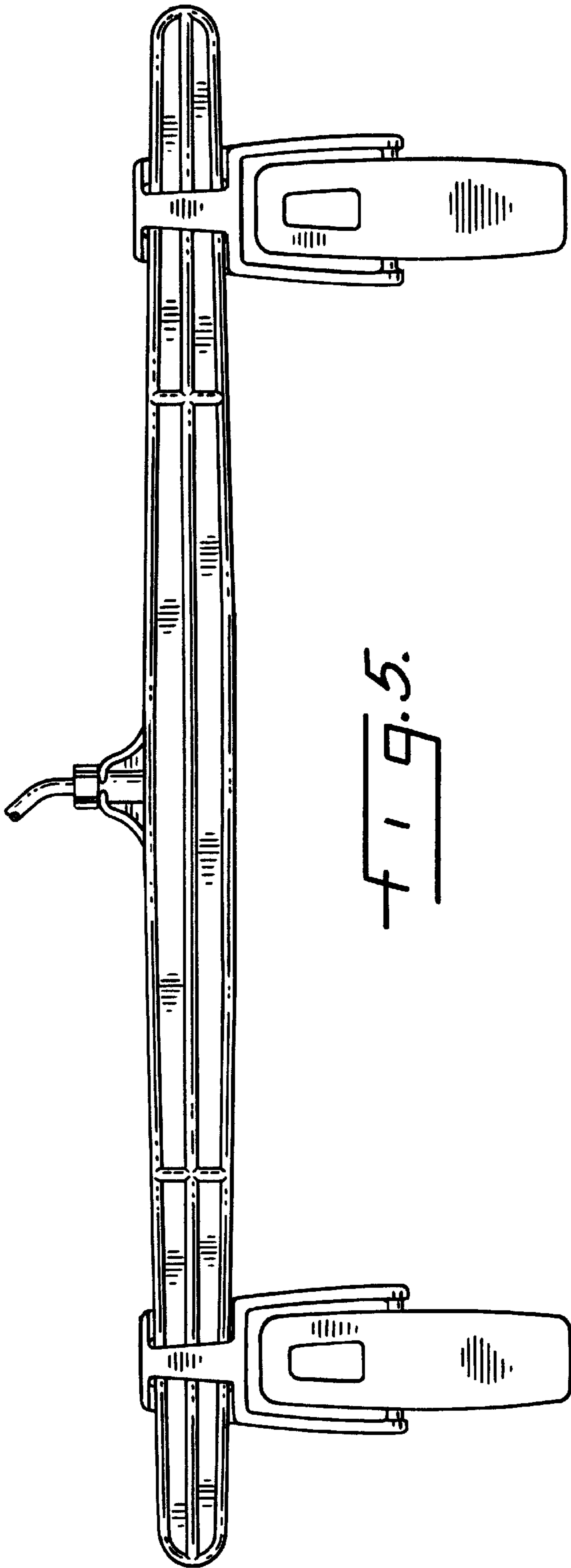


Fig. 5.

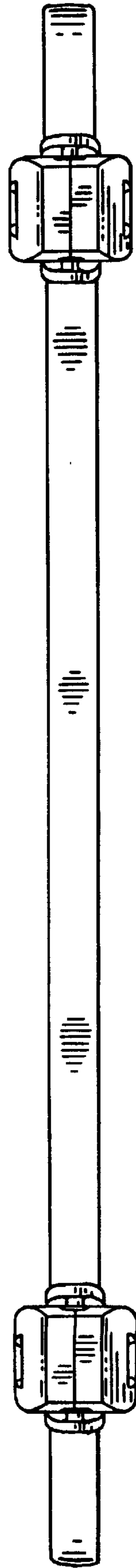


Fig. 6.