



US00D415350S

United States Patent [19]

Ritson et al.

[11] Patent Number: Des. 415,350

[45] Date of Patent: ** Oct. 19, 1999

[54] CARRIER

D. 402,408 12/1998 Killins D3/315
5,088,618 2/1992 Colombo 206/216 X

[76] Inventors: **Michael Anthony Ritson**, Chateau Loire, Mont a la Brune, St. Brelade, Jersey JE3 8FL; **Maurice Willis**, The Willows, New Road, Digswell, Herts AL6 0AQ, both of United Kingdom

Primary Examiner—Louis S. Zarfes
Assistant Examiner—Catherine R. Oliver
Attorney, Agent, or Firm—Patterson & Keough, P.A.

[**] Term: 14 Years

[57] CLAIM

The ornamental design for a carrier, as shown and described.

[21] Appl. No.: 29/094,430

DESCRIPTION

[22] Filed: Oct. 1, 1998

[30] Foreign Application Priority Data

Apr. 3, 1998 [GB] United Kingdom 2073739

[51] LOC (6) Cl. 03-01

[52] U.S. Cl. D3/315

[58] Field of Search D3/315, 259, 201,
D3/304, 308, 309; 294/137, 143, 147, 26.5;
D6/512, 525, 542; 206/198, 216; 280/809,
814; 224/917; D34/27

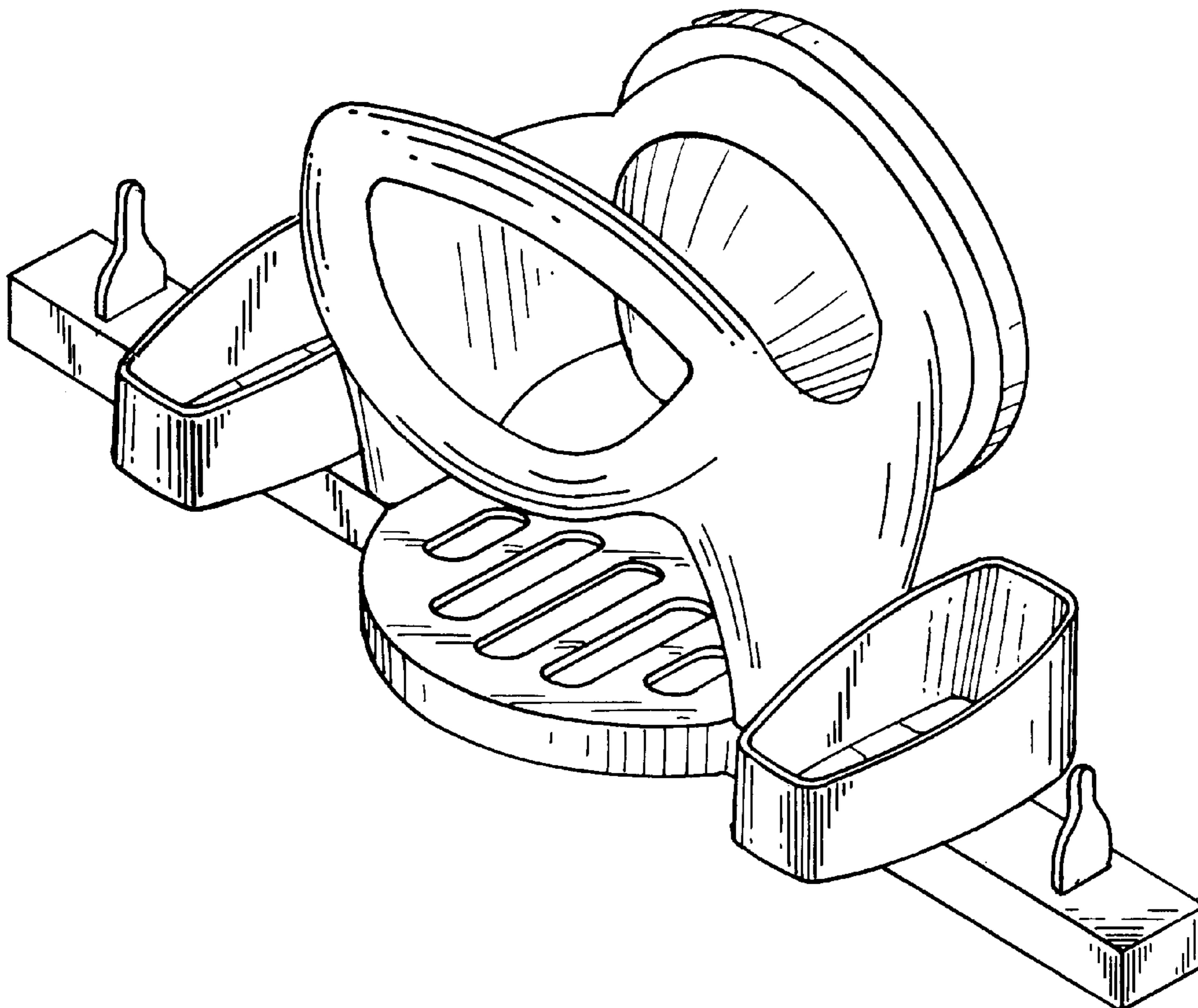
FIG. 1 is a perspective view of a carrier according to an embodiment of the invention;
FIG. 2 is a top view thereof;
FIG. 3 is a front view thereof;
FIG. 4 is a left side view thereof;
FIG. 5 is a right side view thereof;
FIG. 6 is a rear view thereof;
FIG. 7 is a bottom view thereof;
FIG. 8 is a perspective view of a second embodiment of the carrier;
FIG. 9 is a top view thereof;
FIG. 10 is a front view thereof;
FIG. 11 is a left side view thereof;
FIG. 12 is a right side view thereof;
FIG. 13 is a rear view thereof; and,
FIG. 14 is a bottom view thereof.

[56] References Cited

U.S. PATENT DOCUMENTS

D. 327,773 7/1992 Ang D34/27 X
D. 341,463 11/1993 Booth D3/315
D. 375,630 11/1996 Oliver D3/315

1 Claim, 12 Drawing Sheets



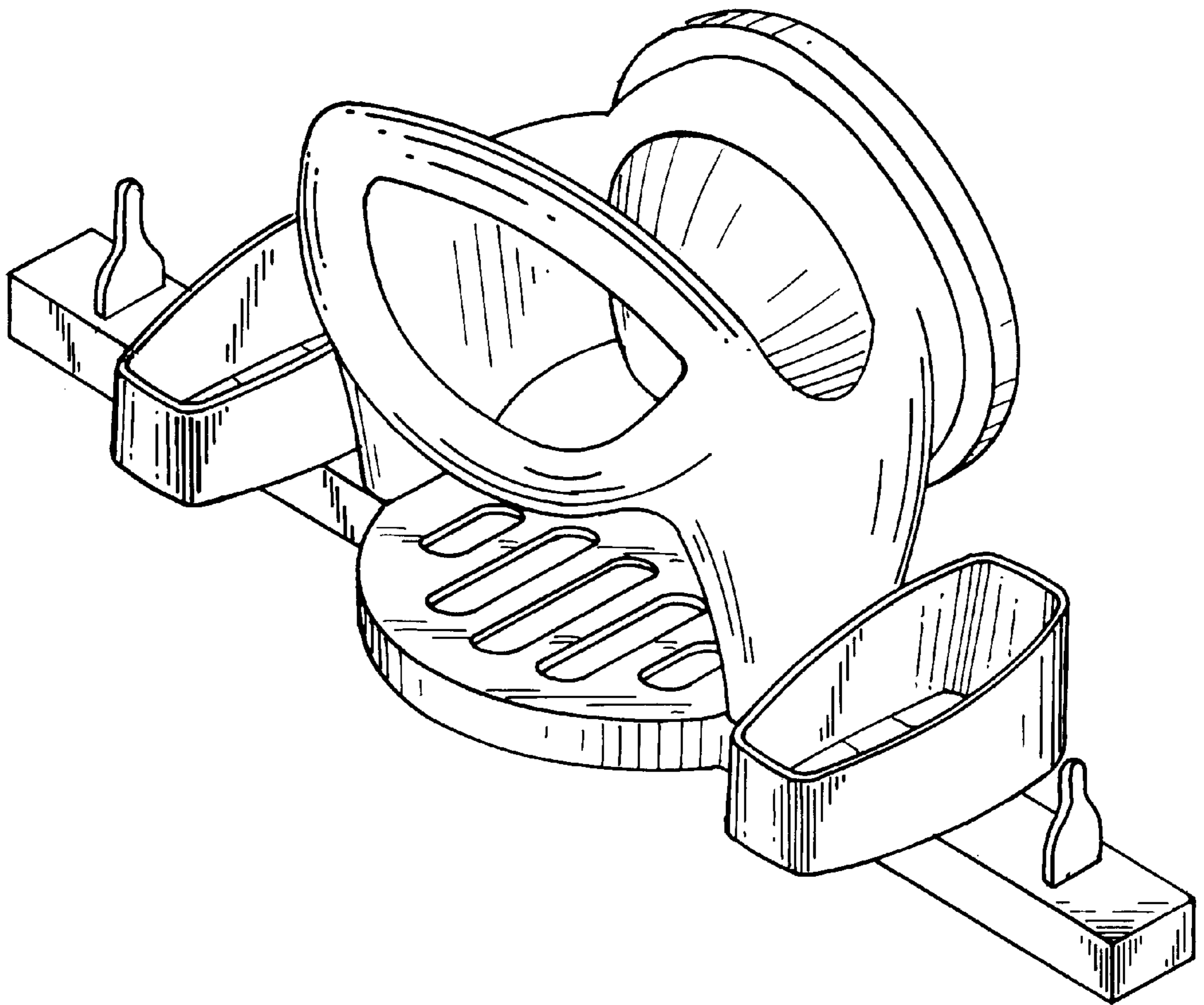


Fig. 1

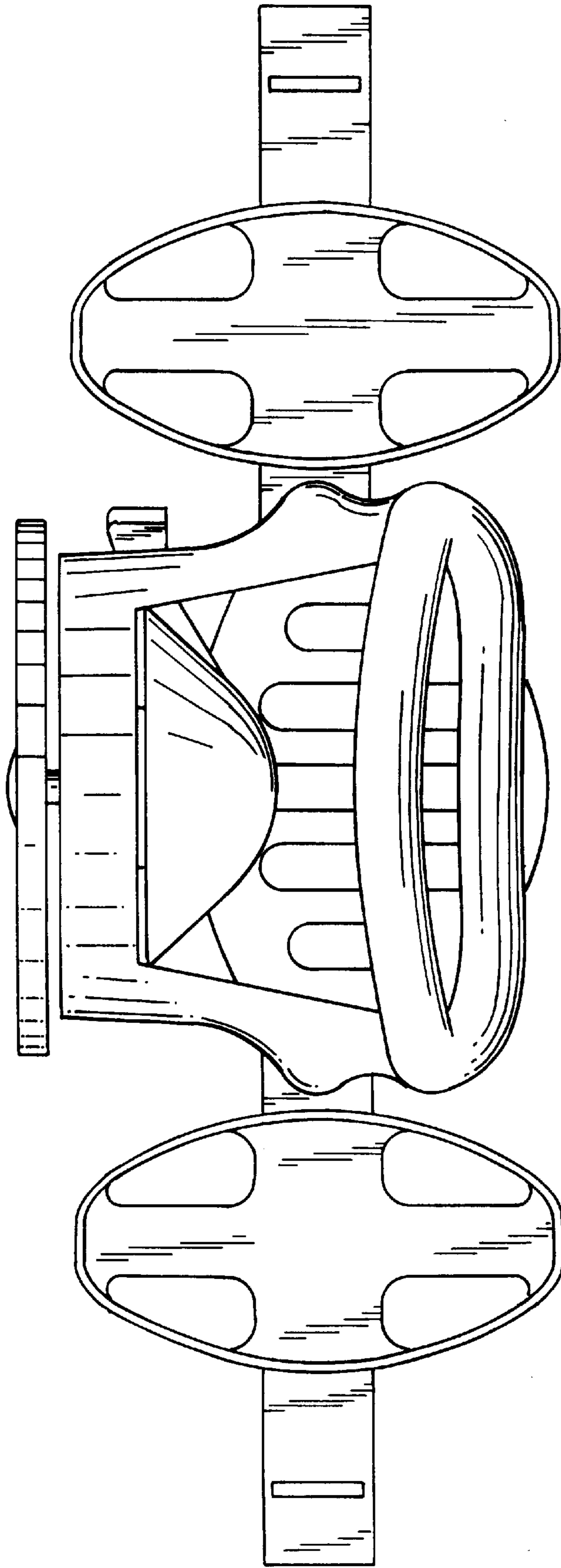


Fig. 2

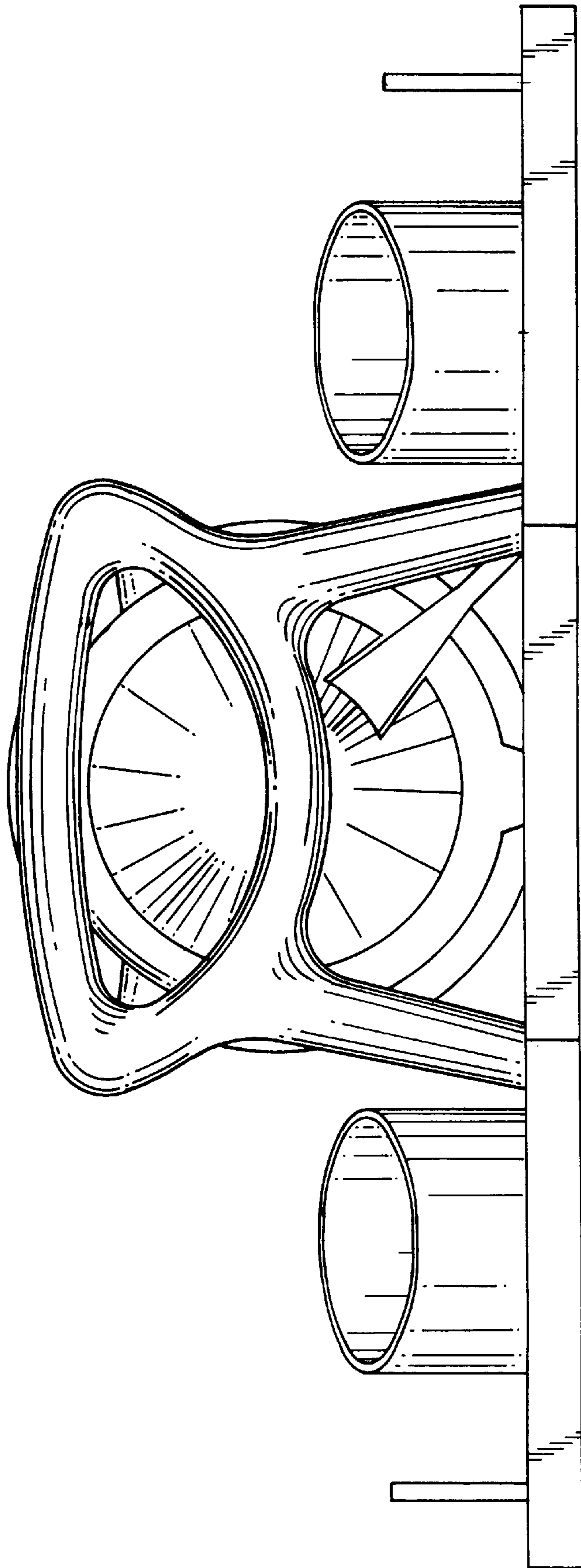


Fig. 3

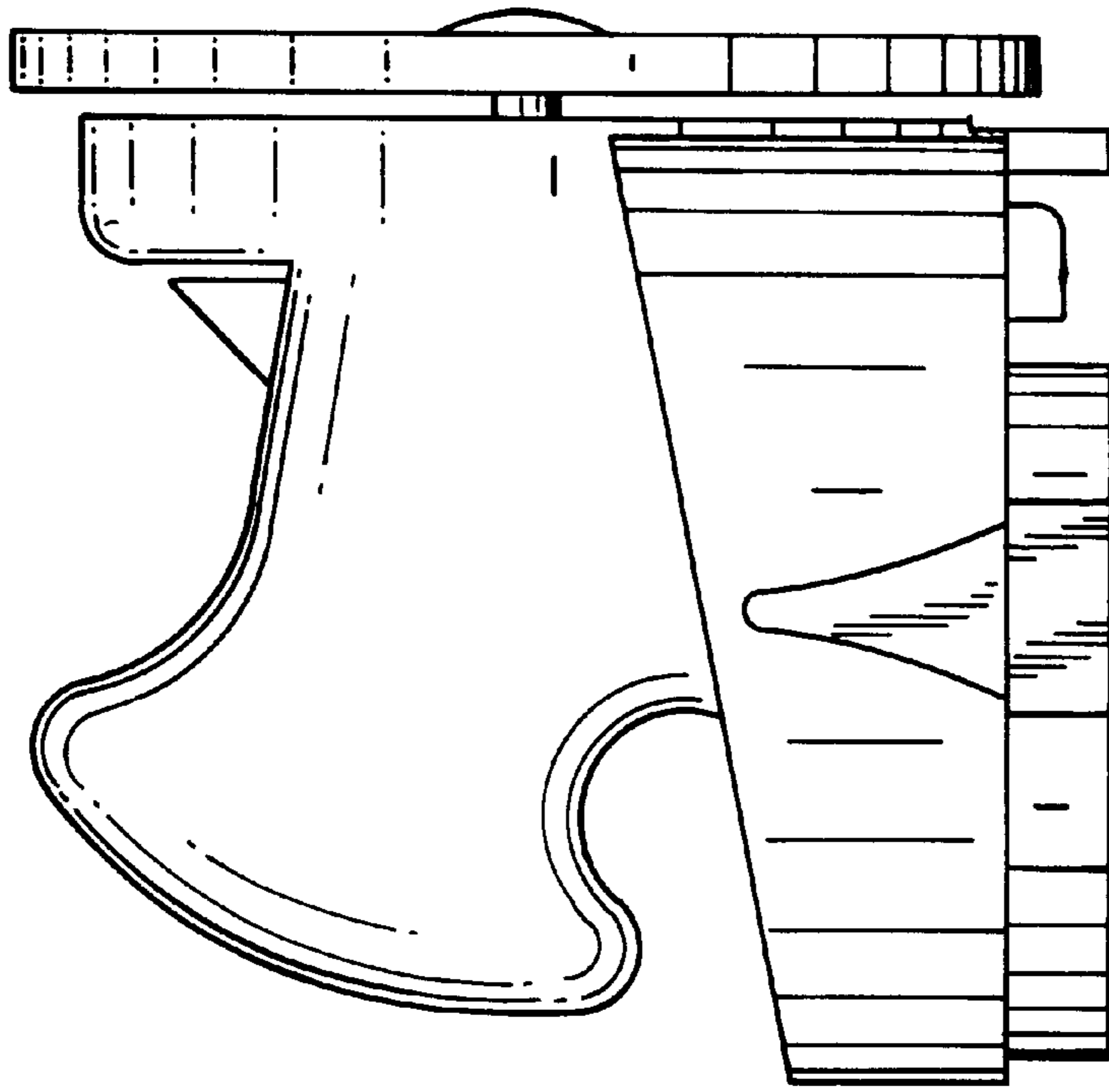


Fig. 5

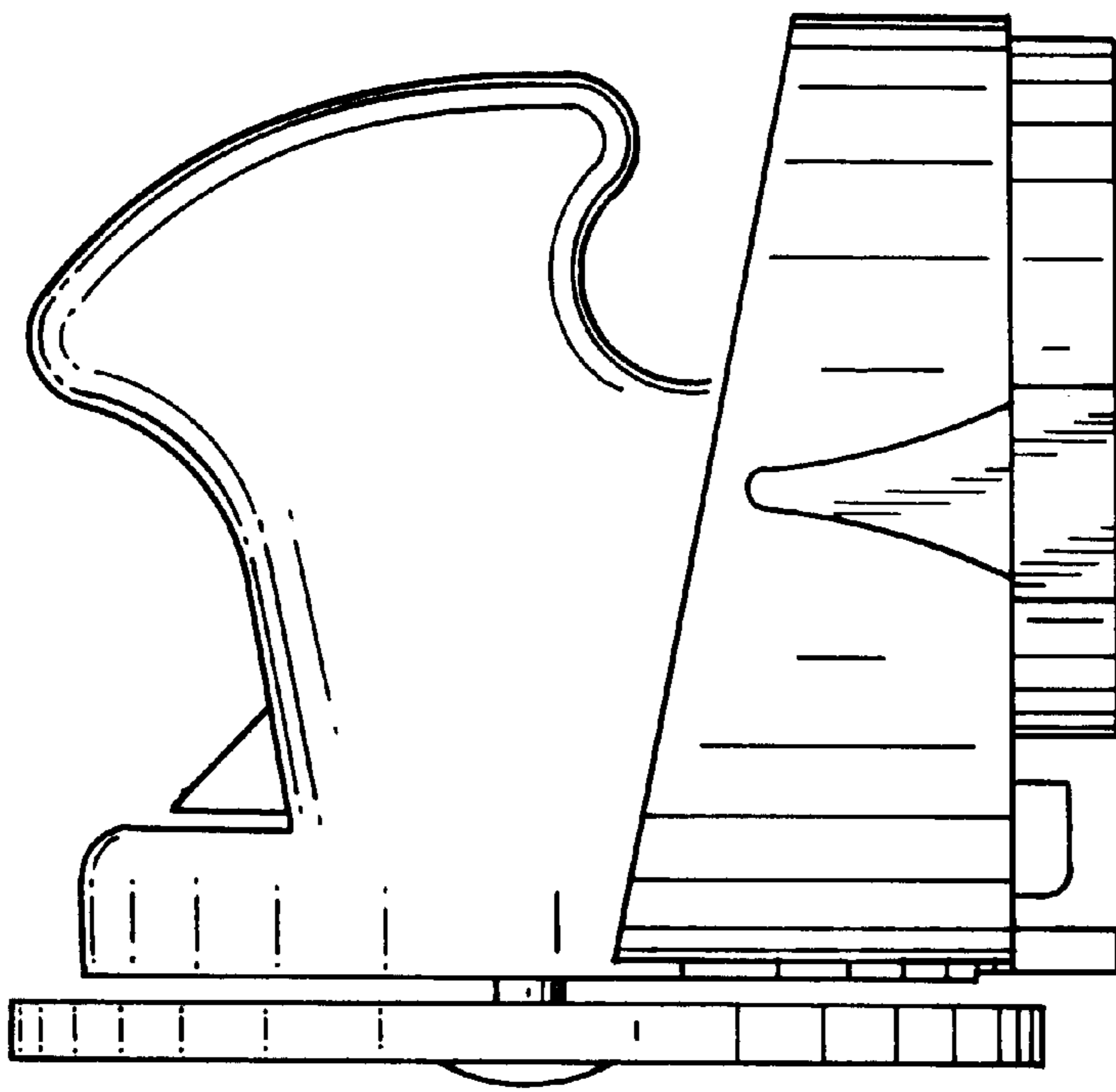


Fig. 4

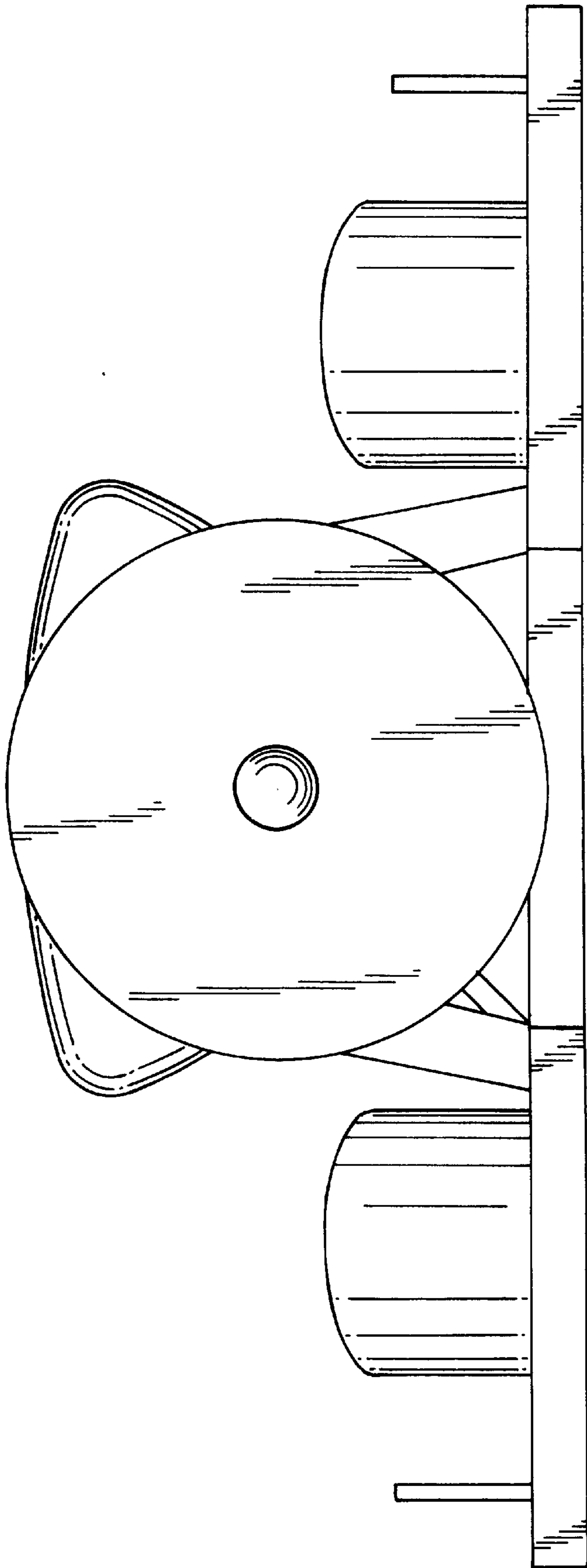


Fig. 6

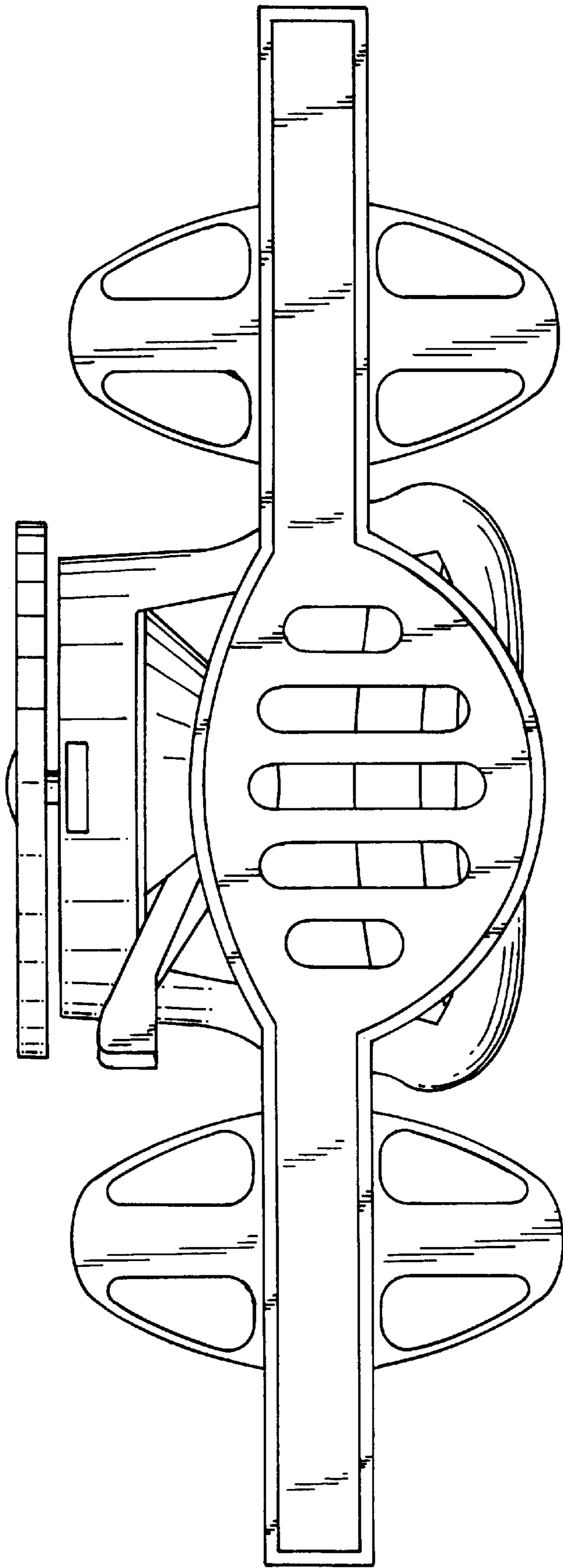


Fig. 7

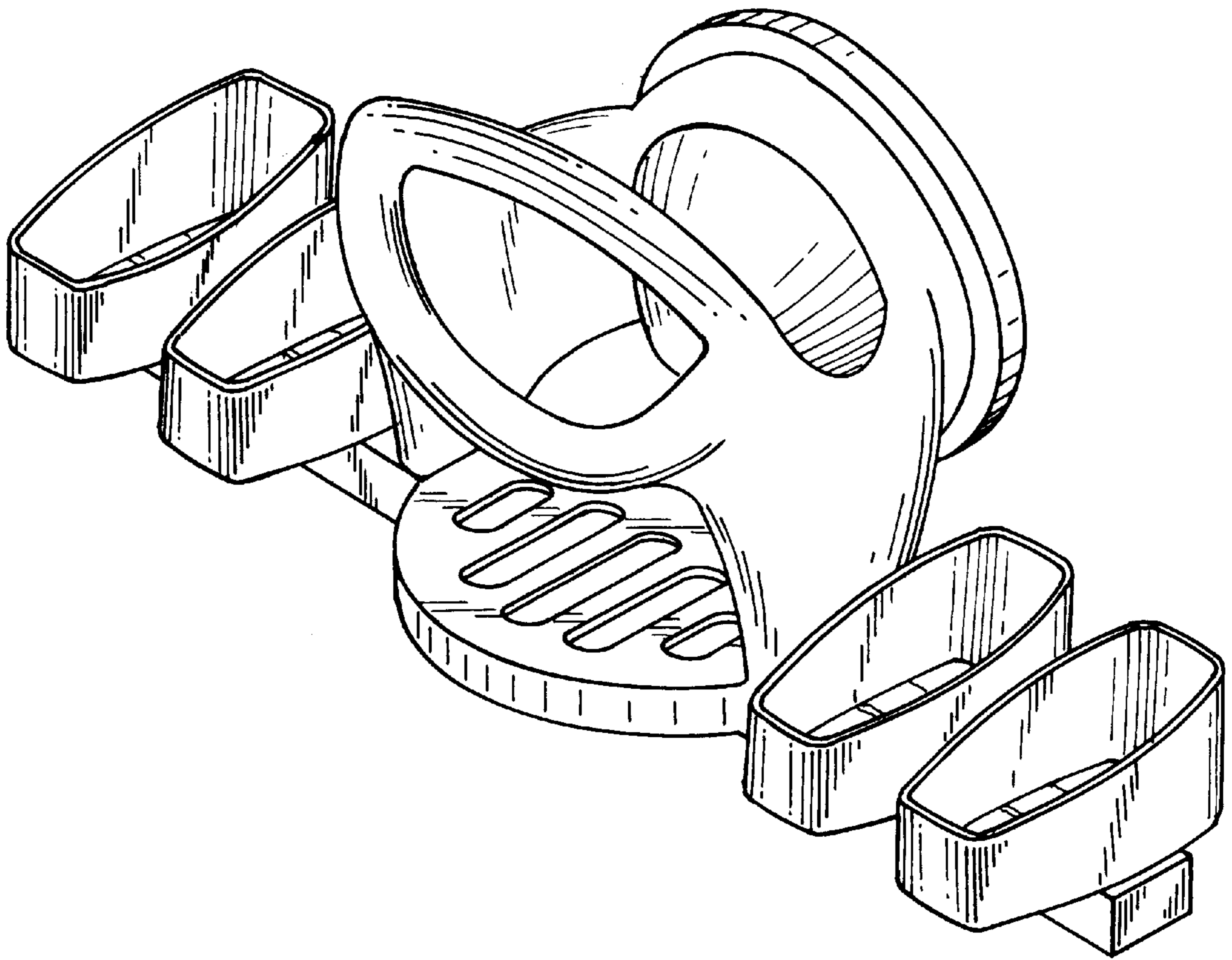


Fig. 8

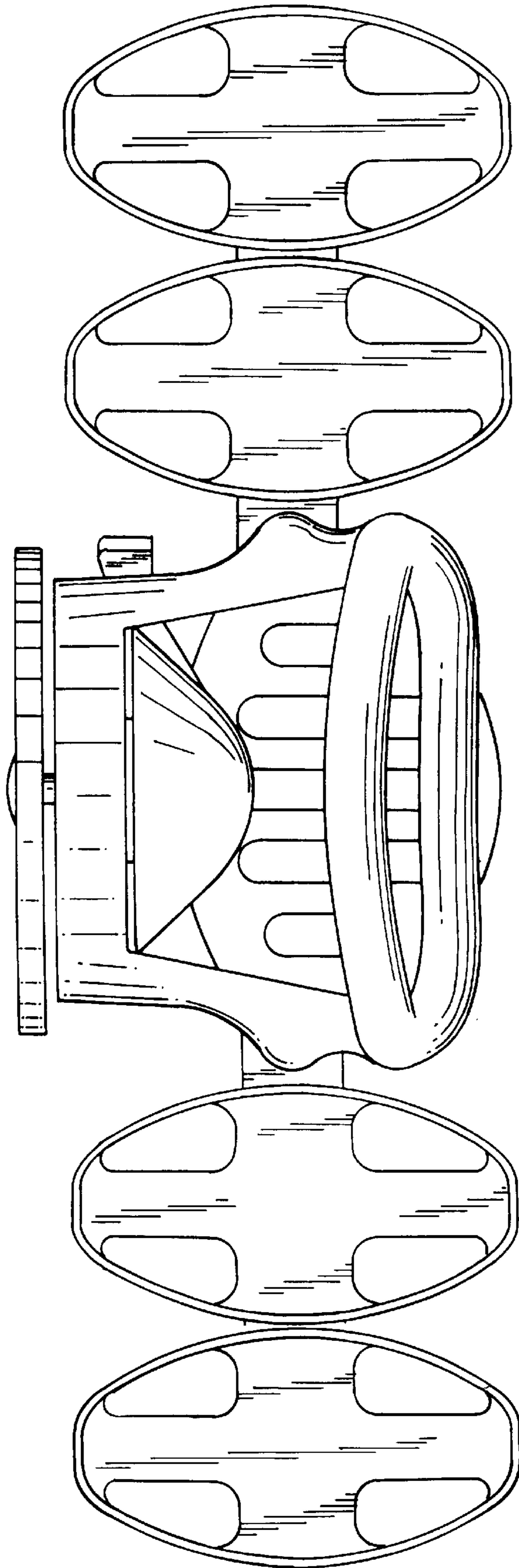


Fig. 9

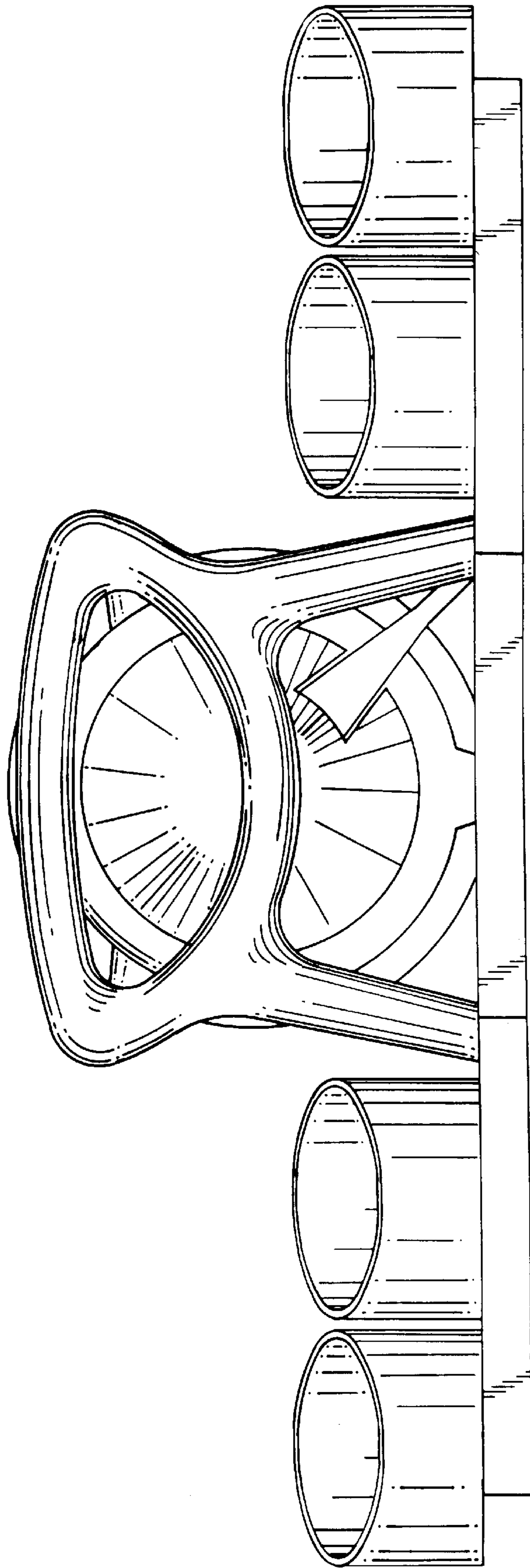


Fig. 10

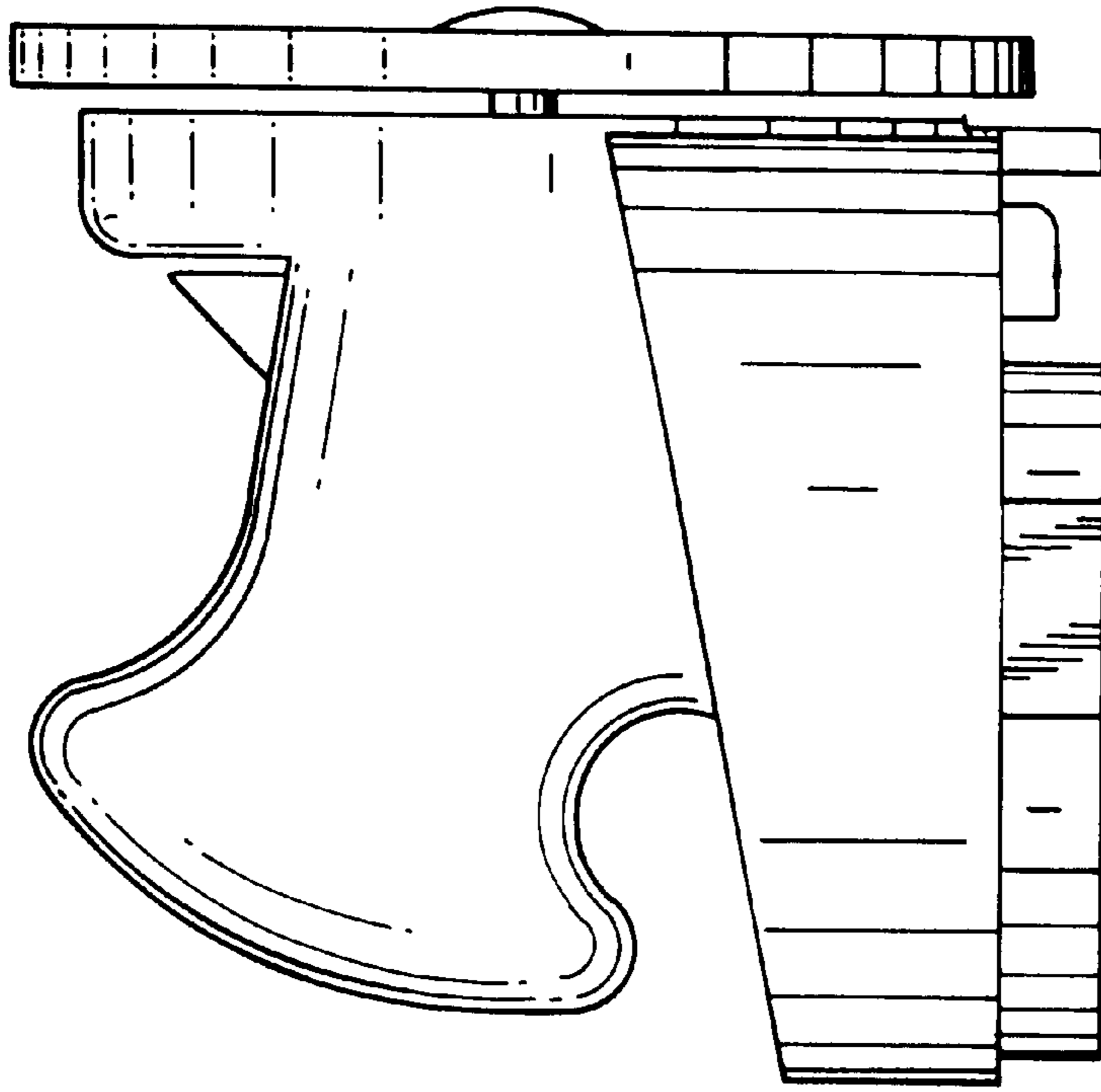


Fig. 12

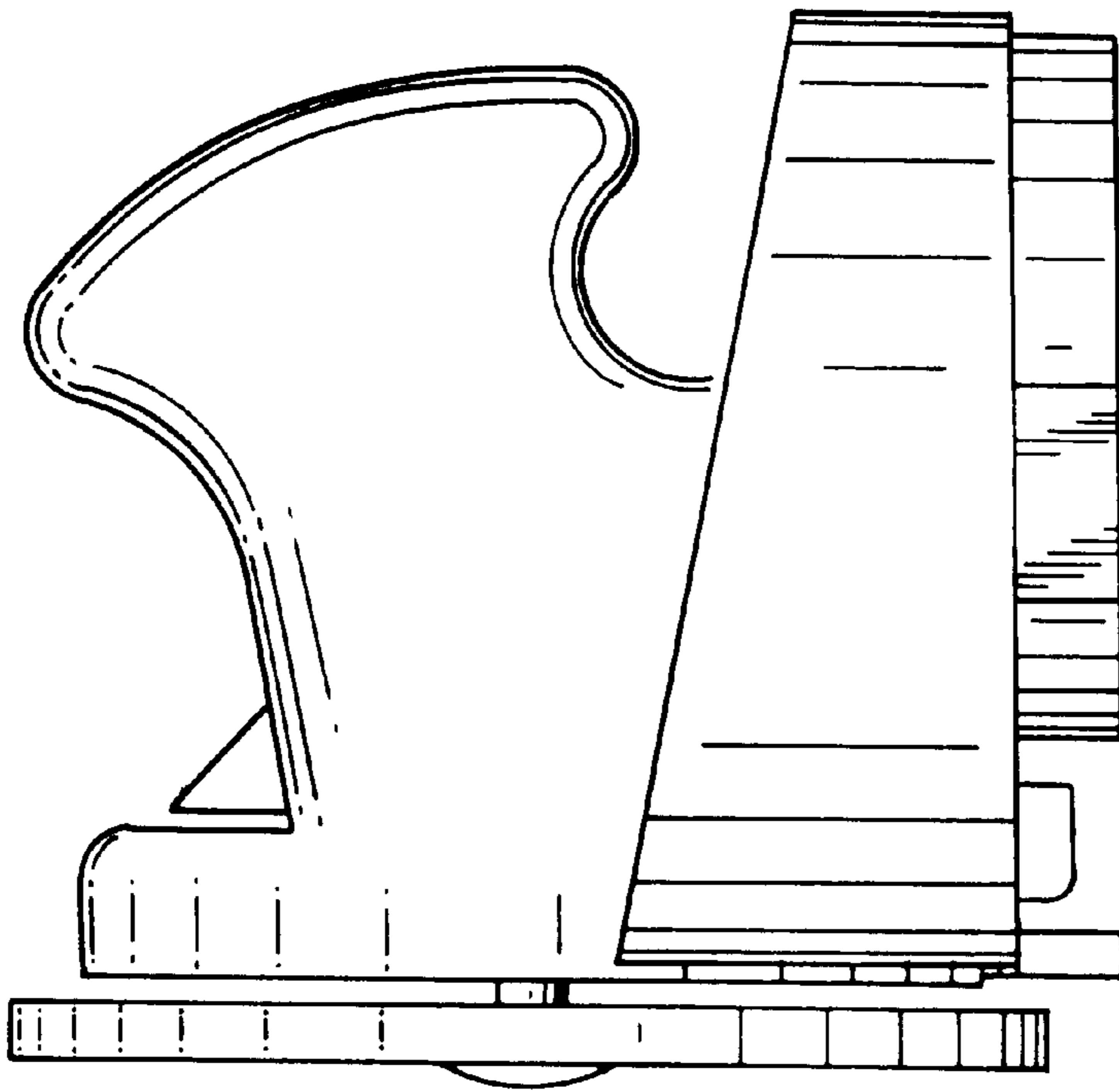


Fig. 11

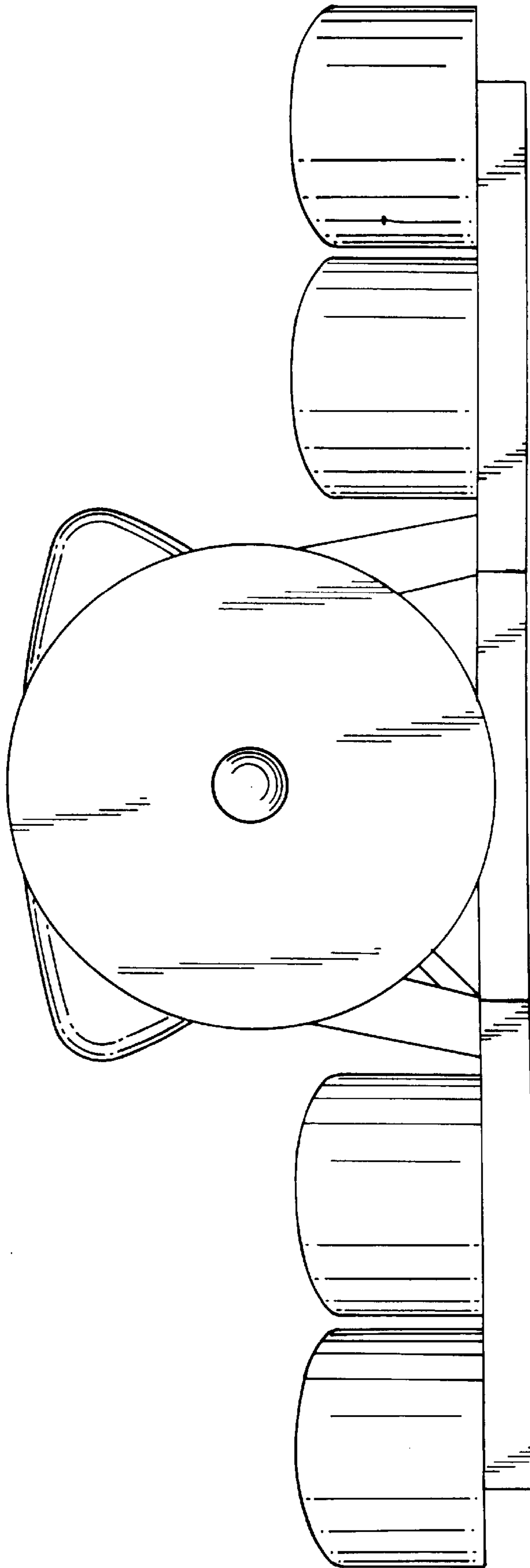


Fig. 13

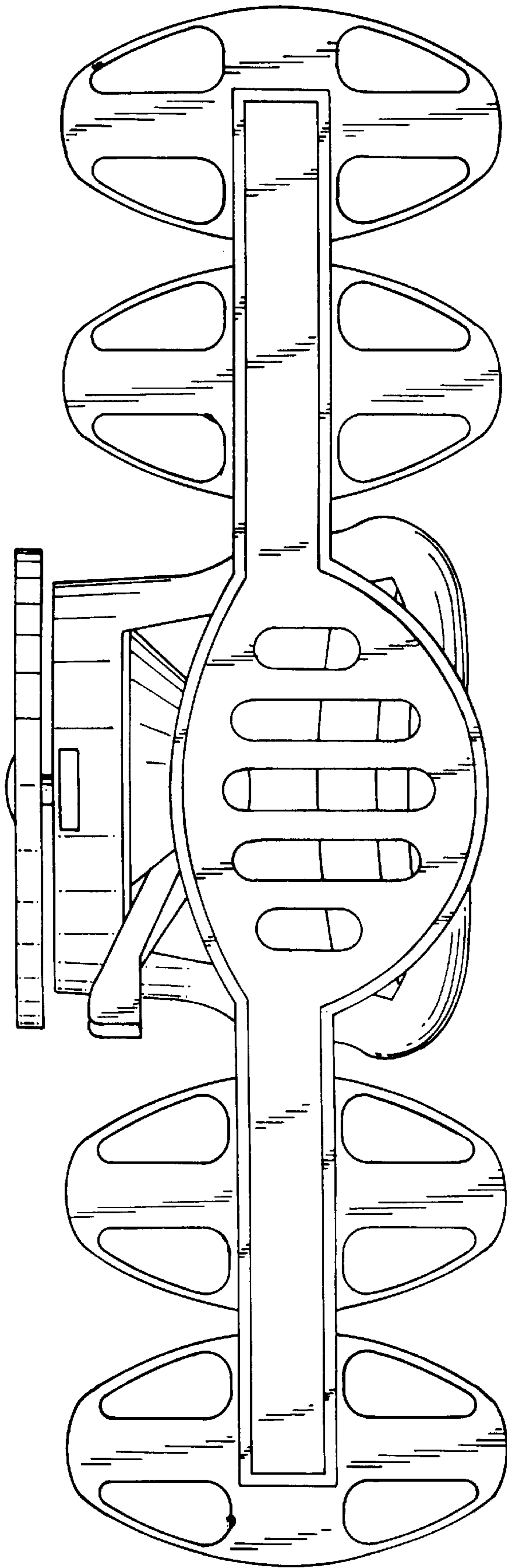


Fig. 14