



US00D415346S

United States Patent [19]

Bertz et al.

[11] Patent Number: **Des. 415,346**

[45] Date of Patent: **** Oct. 19, 1999**

[54] **SHIPPING CONTAINER**

[75] Inventors: **Steven L. Bertz; Paul R. Blais; Patricia C. Guy**, all of Wilmington, N.C.; **Michael A. McDonald**, Painted Post, N.Y.

[73] Assignee: **Corning Incorporated**, Corning, N.Y.

[**] Term: **14 Years**

[21] Appl. No.: **29/075,236**

[22] Filed: **Aug. 15, 1997**

[51] **LOC (6) Cl.** **03-01**

[52] **U.S. Cl.** **D3/273; D3/273**

[58] **Field of Search** **D3/272, 273, 294; D9/420, 423, 424; 206/503, 508, 518**

[56] **References Cited**

U.S. PATENT DOCUMENTS

D. 323,616	2/1992	Mueller	D9/424
D. 328,425	8/1992	Brightbill	D9/424
D. 329,331	9/1992	Hobson	D3/294
D. 329,747	9/1992	Embree	D3/294
D. 355,118	2/1995	Dickinson et al.	D9/425
D. 355,360	2/1995	Mund et al.	D9/423

D. 356,891	4/1995	Hobson	D3/294
D. 364,271	11/1995	Calmeise	D3/273
D. 379,715	6/1997	Yemini	D3/294
D. 387,903	12/1997	Jacoby et al.	D3/273
D. 401,763	12/1998	Wolff	D3/273

Primary Examiner—Philip S. Hyder
Attorney, Agent, or Firm—Scott S. Servilla; Silvy A. Murphy

[57] **CLAIM**

The ornamental design for a shipping container, as shown and described.

DESCRIPTION

FIG. 1 is a perspective view of a shipping container showing our new design;

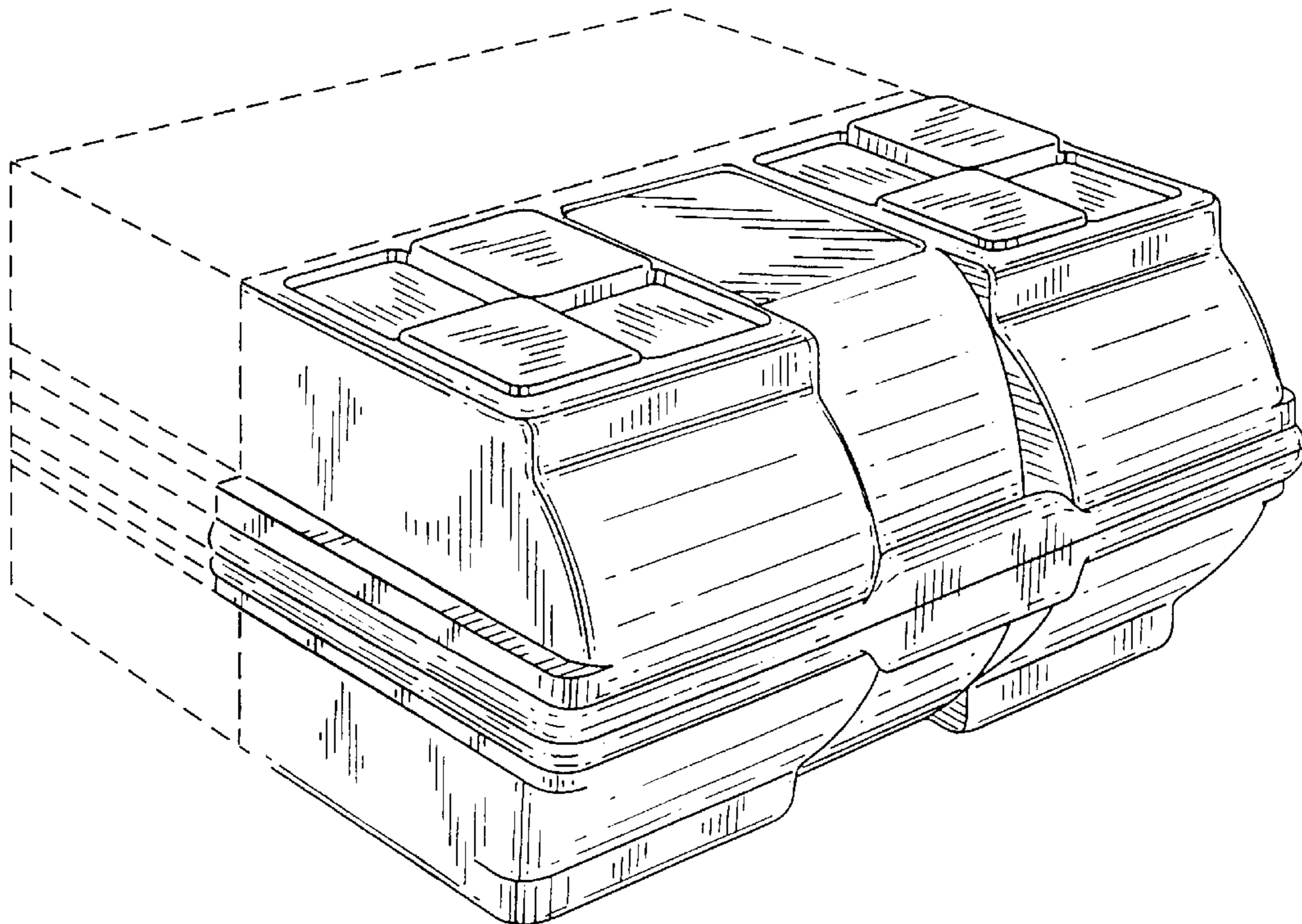
FIG. 2 is a side view thereof;

FIG. 3 is an end view thereof, the opposite view being a mirror image thereof; and,

FIG. 4 is a top plan view thereof, the opposite view being a mirror image thereof.

The broken lines showing a portion of the container are for illustrative purposes only and form no part of the claimed design.

1 Claim, 3 Drawing Sheets



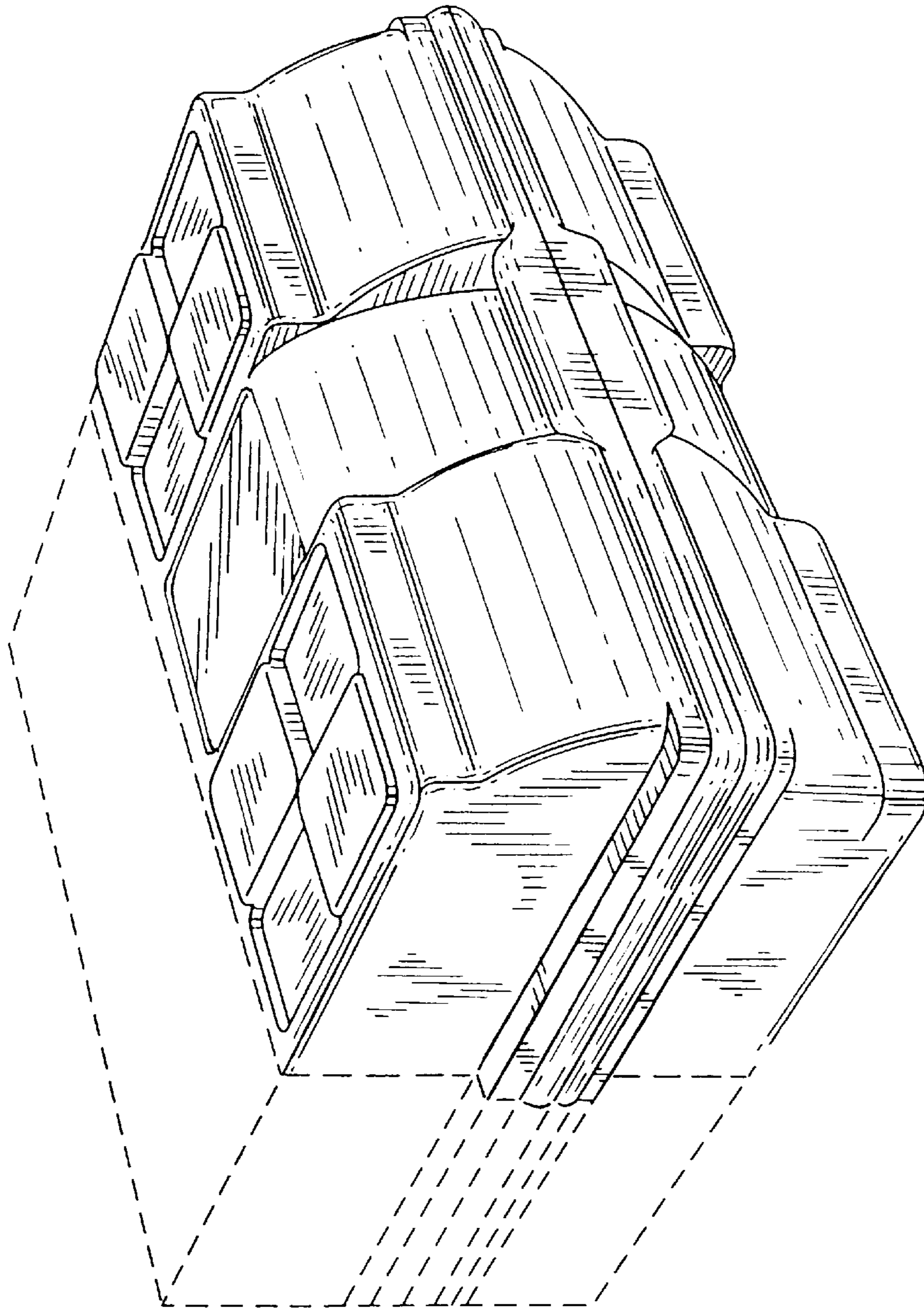


FIG. 1

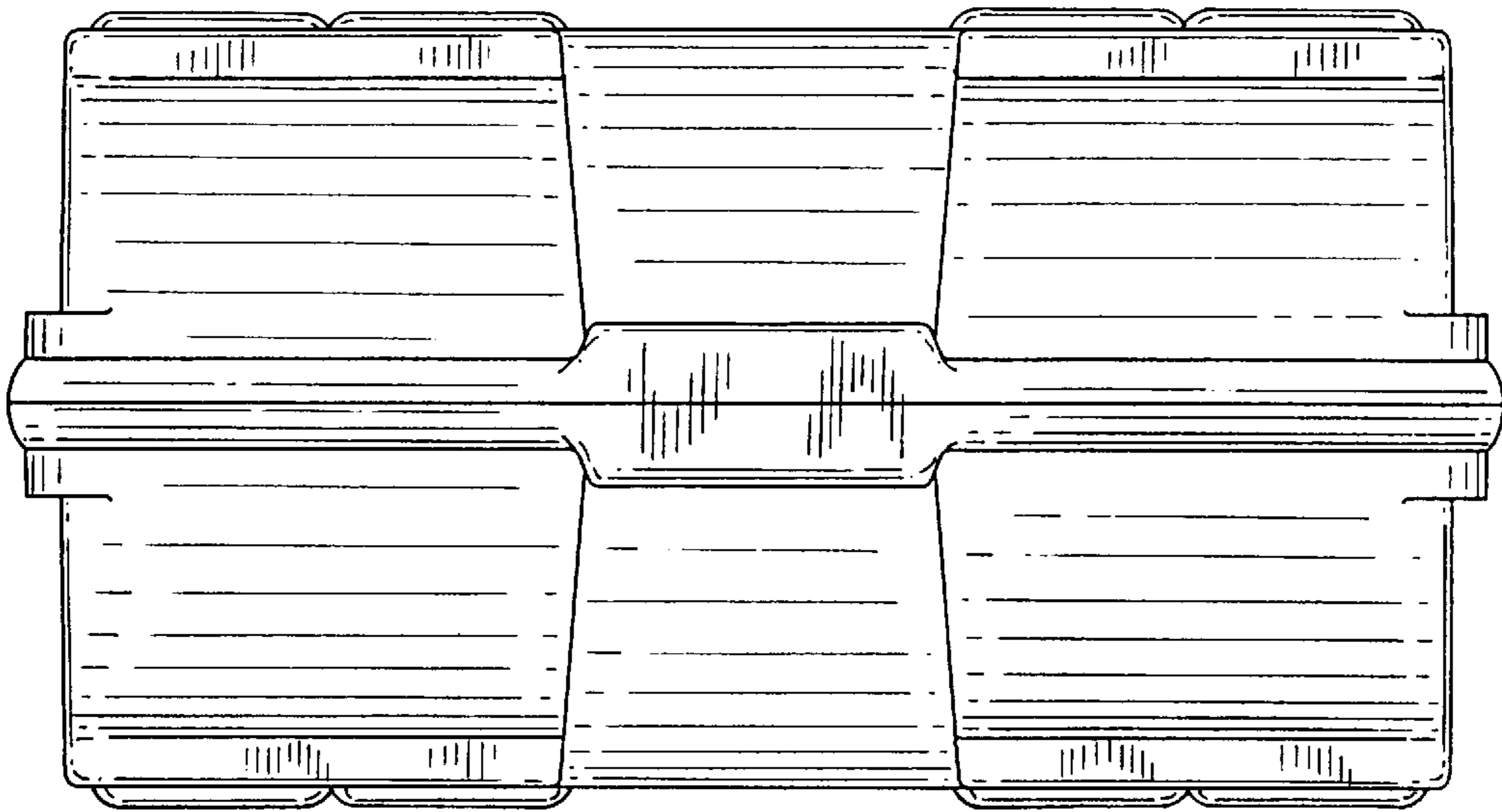


FIG. 2

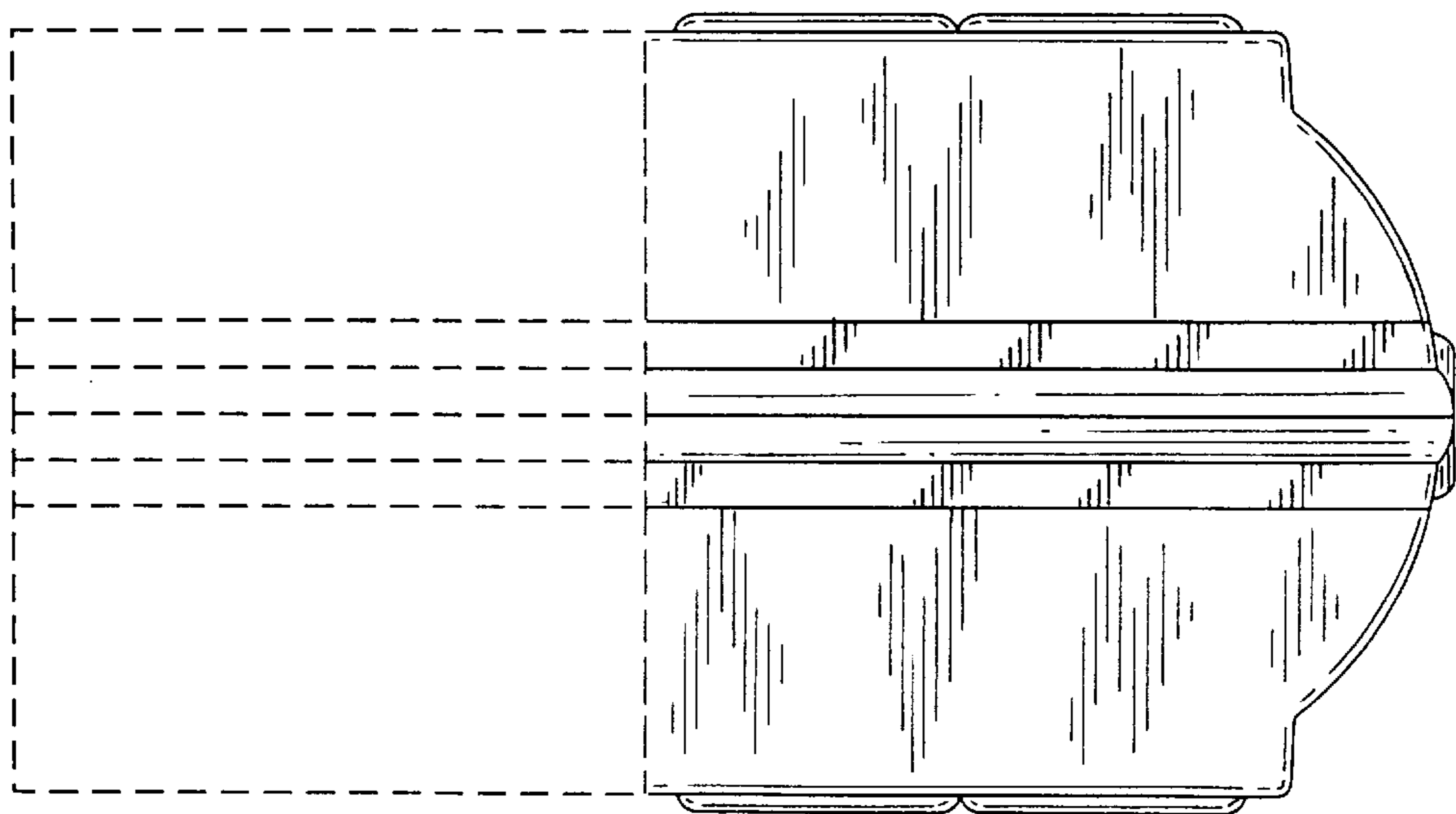


FIG. 3

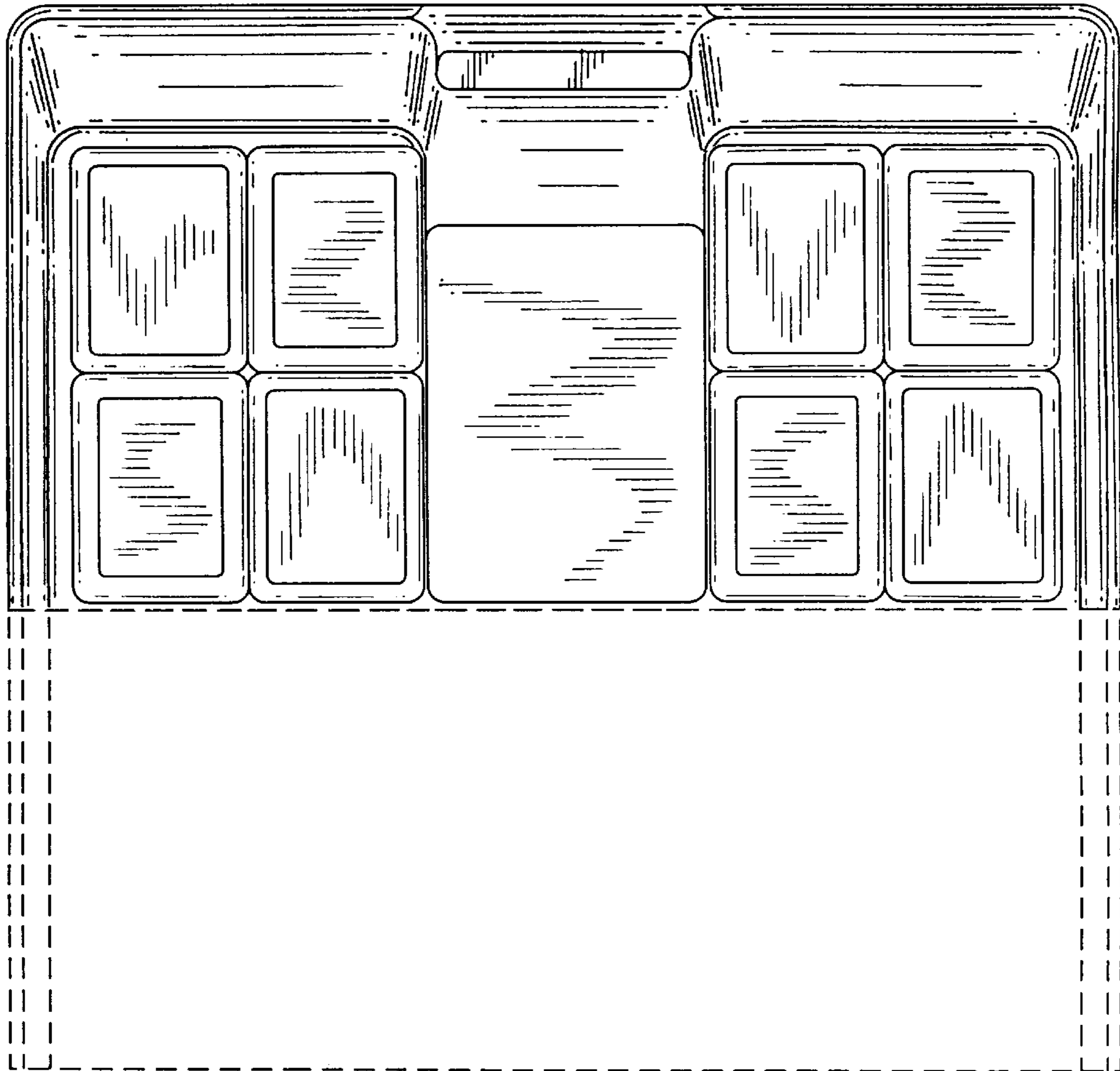


FIG. 4