



US00D415343S

**United States Patent** [19]  
**Maddox**

[11] **Patent Number: Des. 415,343**

[45] **Date of Patent: \*\* Oct. 19, 1999**

[54] **BELT CLIP**

[75] Inventor: **Jeffrey T. Maddox**, Streetsboro, Ohio

[73] Assignee: **GOJO Industries, Inc.**, Cuyahoga Falls, Ohio

[\*\*] Term: **14 Years**

[21] Appl. No.: **29/097,386**

[22] Filed: **Dec. 4, 1998**

[51] **LOC (6) Cl.** ..... **03-01**

[52] **U.S. Cl.** ..... **D3/215; D3/207**

[58] **Field of Search** ..... 224/667, 904,  
224/163, 236, 240, 255; D3/215, 228, 207-212;  
D2/624, 639; 24/3.1, 3.6, 3.11, 67.11, 552,  
555; D11/200, 201, 202, 204, 205, 78.1;  
D19/34; D32/61, 62; 70/459; 116/234,  
235; 63/21; D20/17, 18, 29

[56] **References Cited**

**U.S. PATENT DOCUMENTS**

D. 339,909	10/1993	Burton	.....	D2/639
D. 364,269	11/1995	Sabosky	.....	D3/207
D. 379,558	6/1997	Mischenko et al.	.....	D3/215
D. 382,105	8/1997	Bonaldi	.....	D3/215

1,206,074	11/1916	Bryner	.....	24/3.6
2,775,804	1/1957	Ayoub	.....	24/3.6
4,358,036	11/1982	Maltais	.....	224/667
4,633,691	1/1987	Hardy	.....	224/163 X

*Primary Examiner*—Louis S. Zarfaz  
*Assistant Examiner*—Catherine R. Oliver  
*Attorney, Agent, or Firm*—Reese Taylor

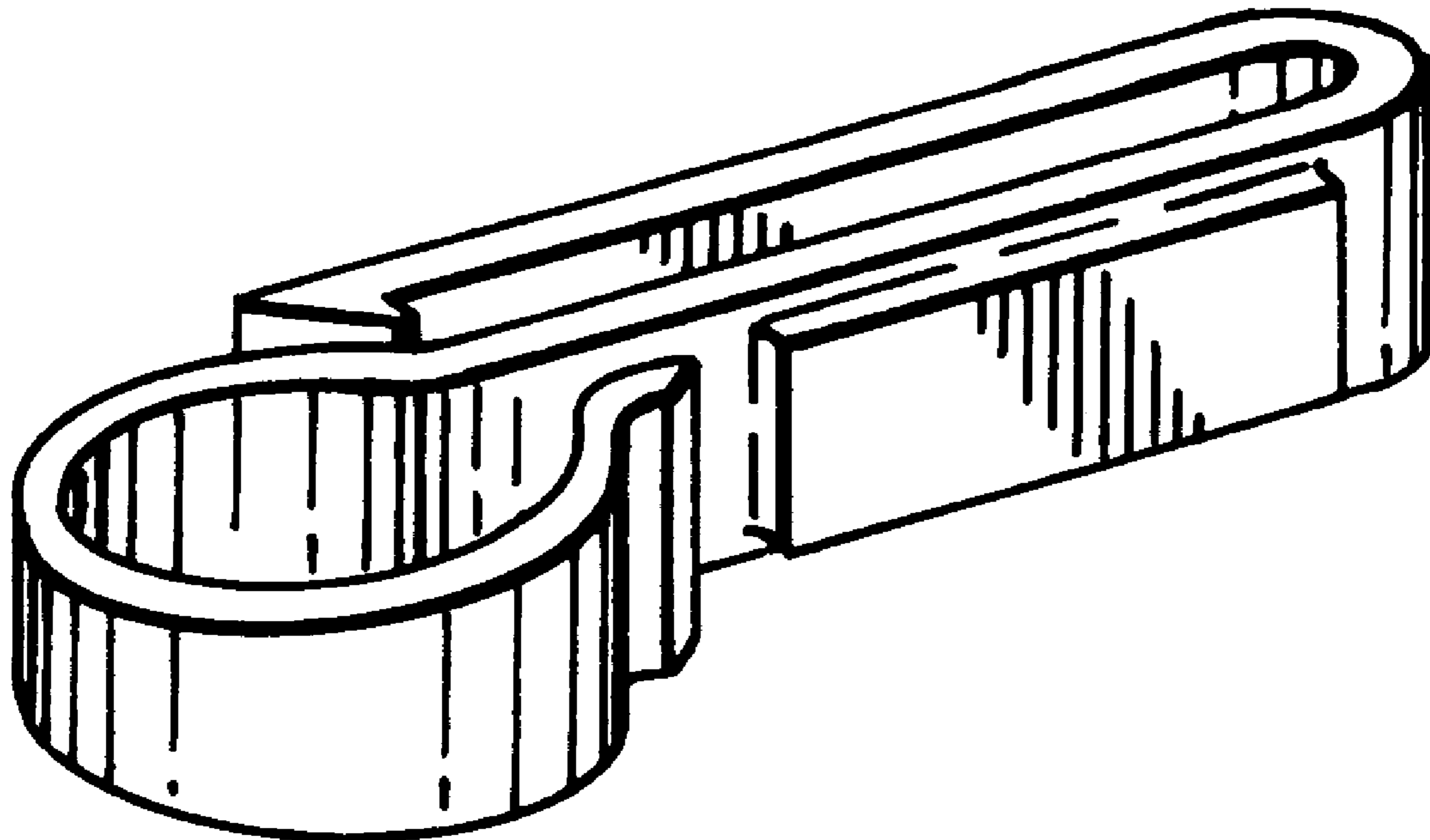
[57] **CLAIM**

I claim the ornamental design for a belt clip, as shown and described.

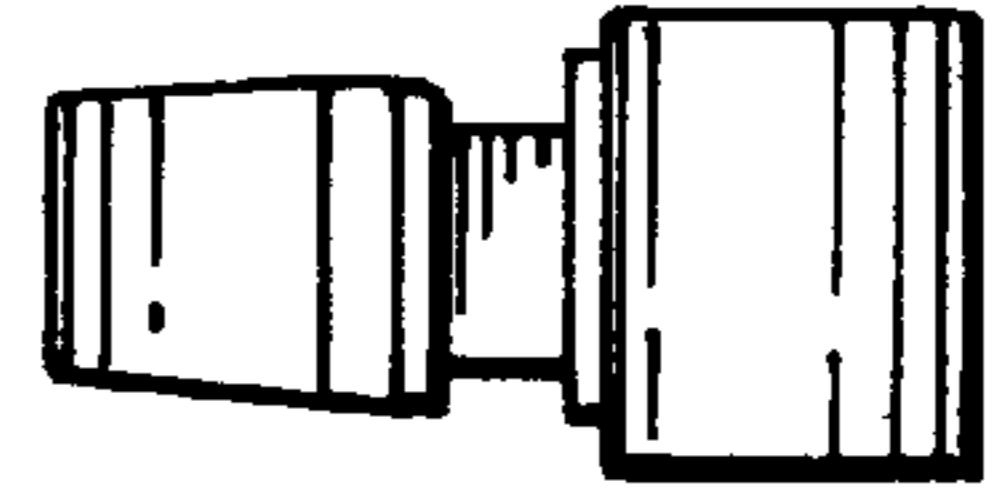
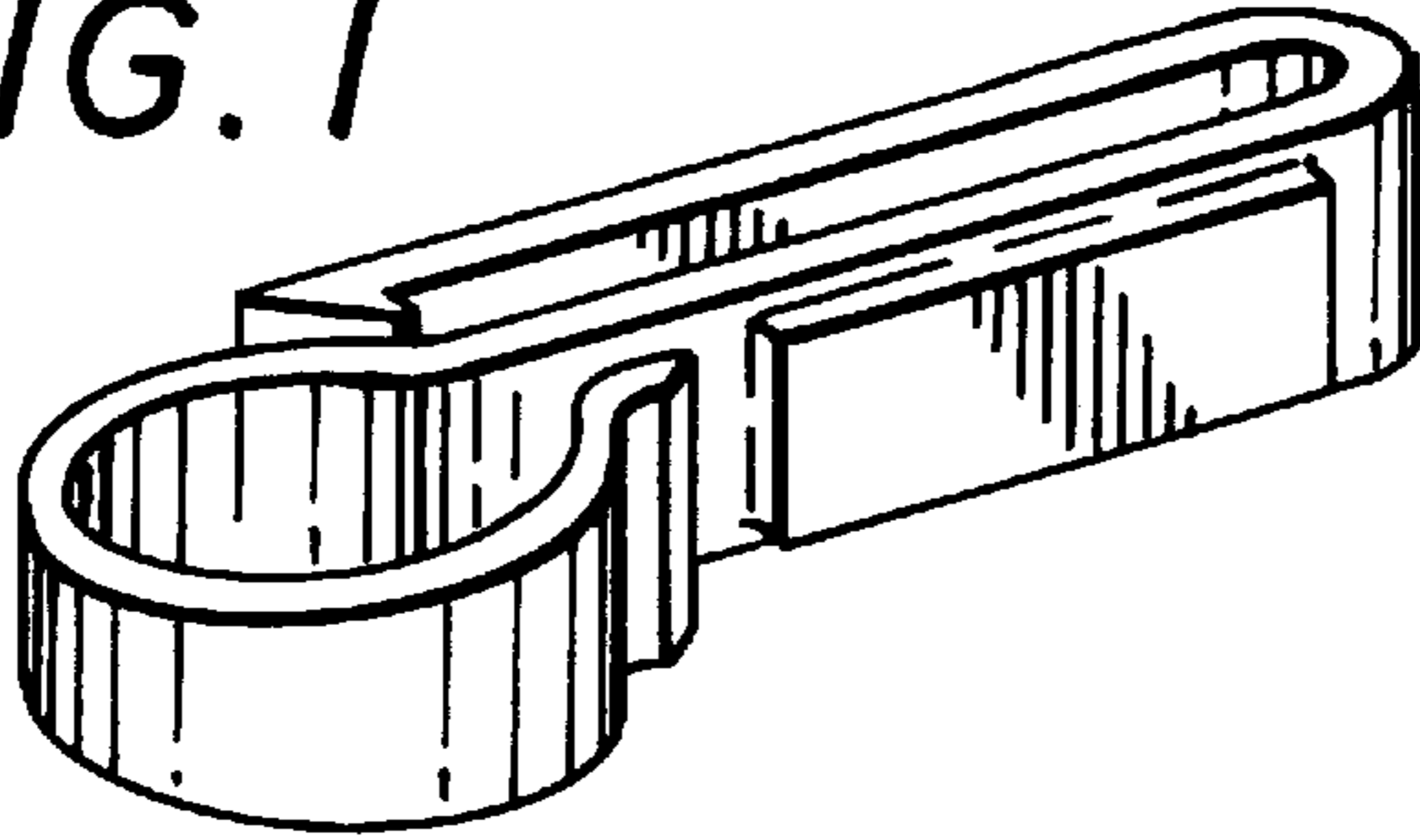
**DESCRIPTION**

FIG. 1 is a perspective view showing my belt clip;  
FIG. 2 is a side elevational view thereof taken from the right of FIG. 1;  
FIG. 3 is top plan view thereof;  
FIG. 4 is a side elevational view taken from the opposite side from the view of FIG. 2;  
FIG. 5 is a bottom plan view thereof;  
FIG. 6 is a front elevational view thereof taken from the left of FIG. 1; and,  
FIG. 7 is a rear elevational view thereof taken from the right of FIG. 1.

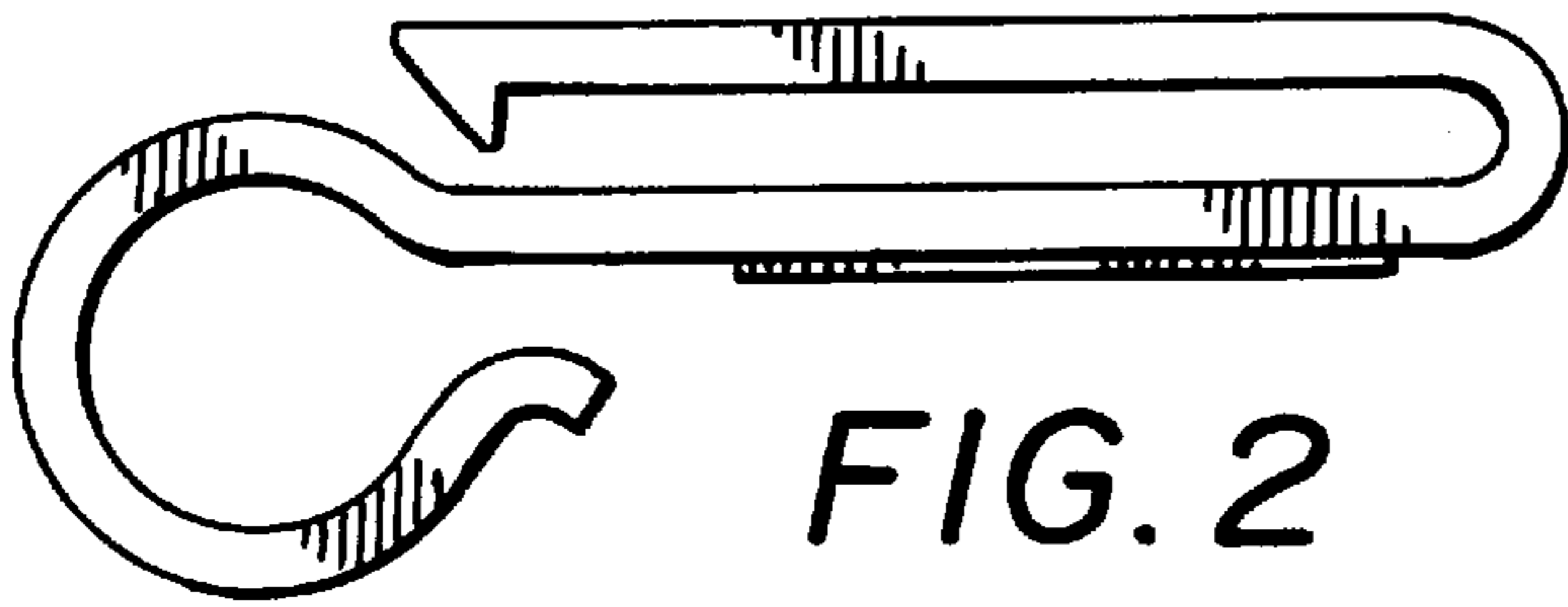
**1 Claim, 1 Drawing Sheet**



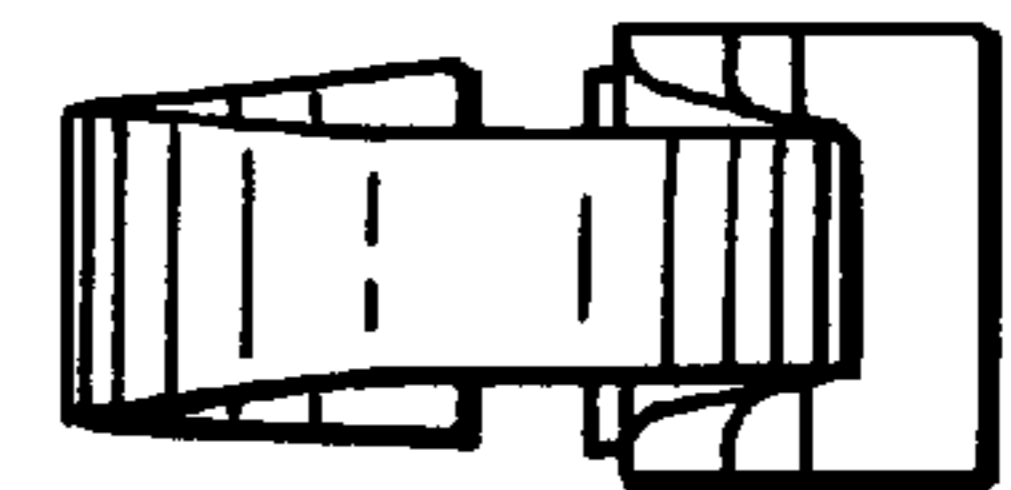
*FIG. 1*



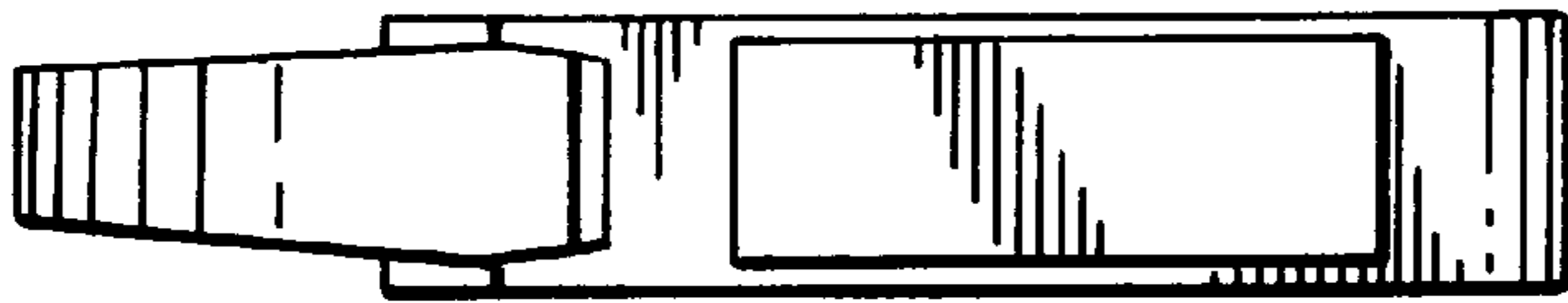
*FIG. 6*



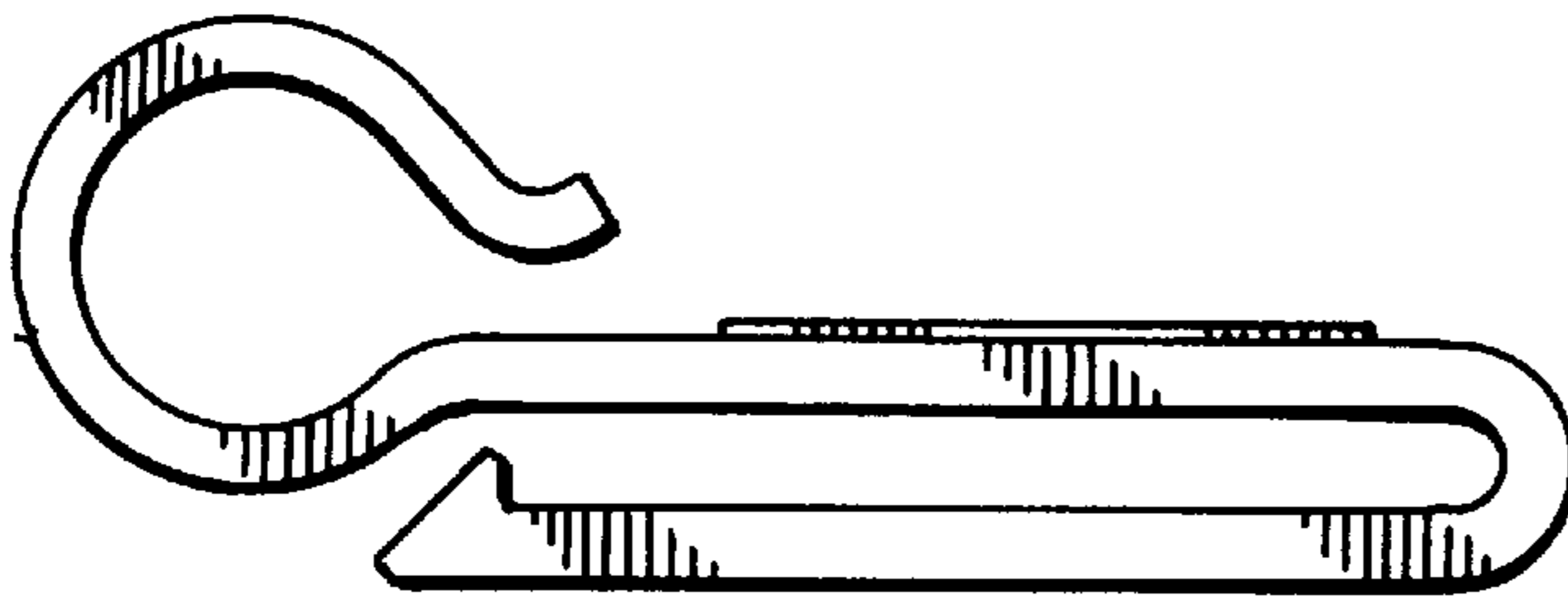
*FIG. 2*



*FIG. 7*



*FIG. 3*



*FIG. 4*



*FIG. 5*