



US00D415340S

United States Patent [19] McMullin

[11] **Patent Number: Des. 415,340**

[45] **Date of Patent: ** Oct. 19, 1999**

[54] **GOLF CLEAT**

[75] Inventor: **Faris W. McMullin**, Boise, Id.

[73] Assignee: **Softspikes, Inc.**, Gaithersburg, Md.

[**] Term: **14 Years**

[21] Appl. No.: **29/088,095**

[22] Filed: **May 14, 1998**

Related U.S. Application Data

[63] Continuation-in-part of application No. 08/823,901, Mar. 25, 1997.

[51] **LOC (6) Cl. 02-04**

[52] **U.S. Cl. D2/962**

[58] **Field of Search D2/962; 36/126-130, 36/134, 135, 67 A, 67 B, 67 C, 67 D, 67 R, 59 R**

[56] References Cited

U.S. PATENT DOCUMENTS

D. 288,262	2/1987	Yokoishi	D2/962
D. 327,975	7/1992	Saito et al.	D2/962
D. 371,895	7/1996	McMullin	D2/962
D. 371,896	7/1996	McMullin	D2/962
D. 373,675	9/1996	McMullin	D2/962
D. 385,988	11/1997	McMullin	D2/962
D. 387,548	12/1997	McMullin	D2/962
D. 389,299	1/1998	McMullin	D2/962
D. 401,046	11/1998	McMullin	D2/962
D. 404,192	1/1999	McMullin	D2/962
D. 406,447	3/1999	Ronci	D2/962
D. 407,893	4/1999	McMullin	D2/962
1,876,195	9/1932	Youmans	36/128
3,583,082	6/1971	Jordan, Jr.	36/59
4,014,114	3/1977	Jordan et al.	36/67 D
5,029,405	7/1991	DeHaitre	26/134
5,533,282	7/1996	Kataoka et al.	36/129

FOREIGN PATENT DOCUMENTS

0 342 232	11/1989	European Pat. Off. .
0 524 861	1/1993	European Pat. Off. .
25 29 027	1/1977	Germany .
467815	12/1951	Italy .

Primary Examiner—Louis S. Zarfes
Assistant Examiner—G. Andoll
Attorney, Agent, or Firm—Jeffrey H. Ingerman; Fish & Neave

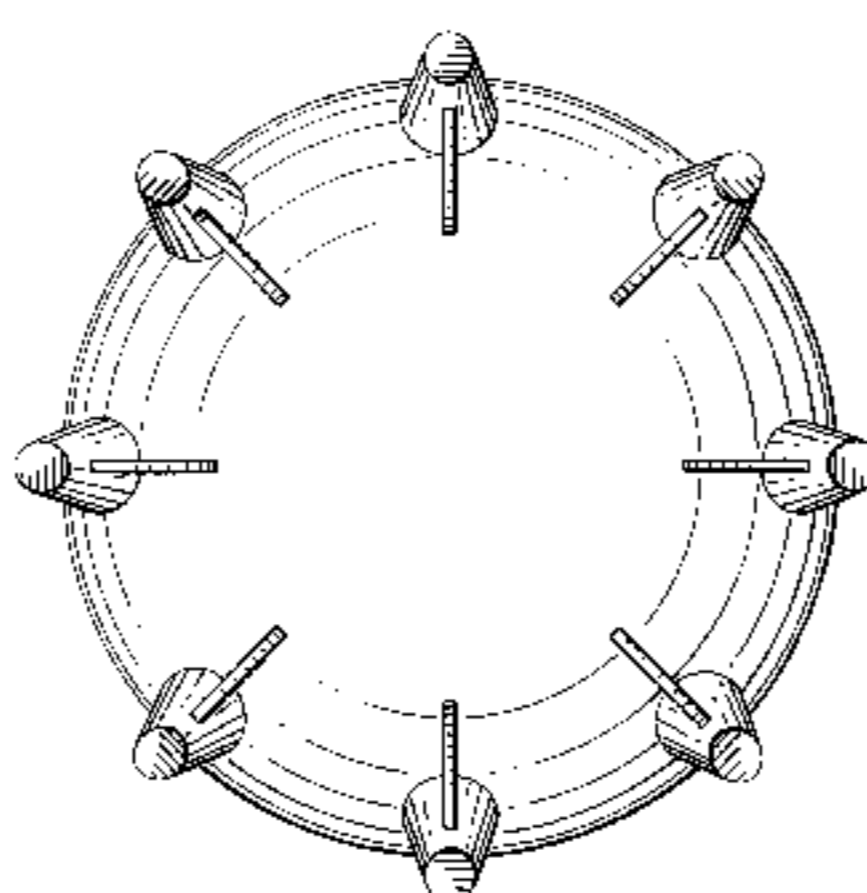
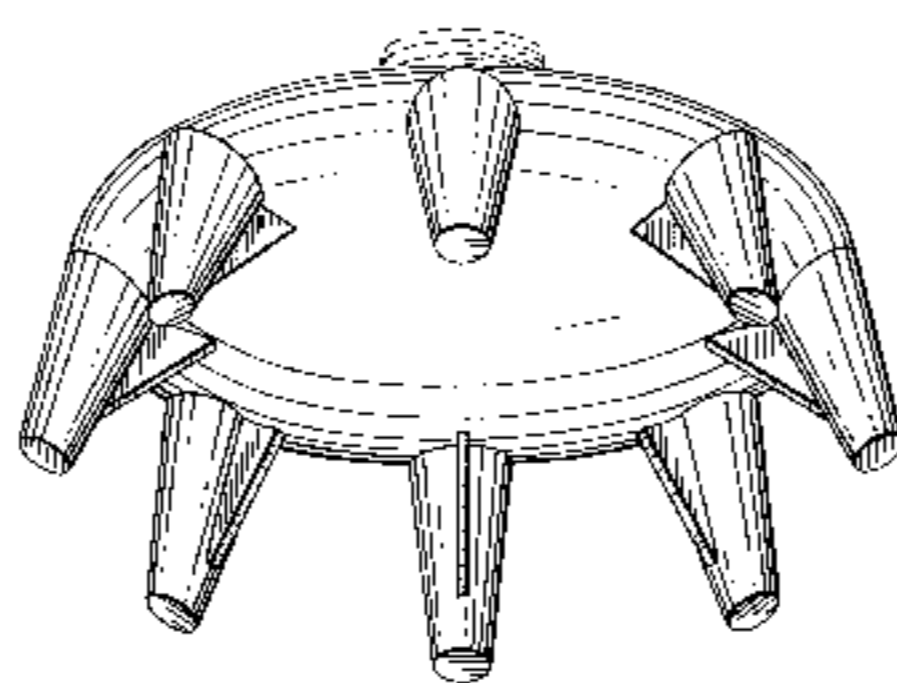
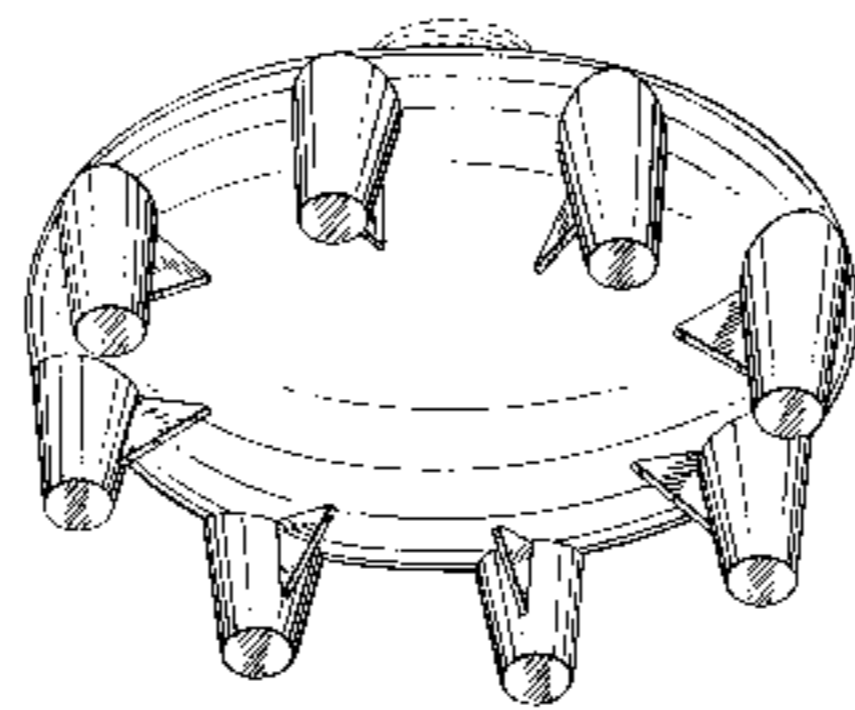
[57] CLAIM

The ornamental design for a golf cleat, as shown and described.

DESCRIPTION

FIG. 1 is a bottom perspective view of a first embodiment of a golf cleat showing my new design; FIG. 2 is a top plan view thereof; FIG. 3 is a side elevational view thereof, the golf cleat being symmetrical; FIG. 4 is a bottom plan view thereof; FIG. 5 is a bottom perspective view of a second embodiment of a golf cleat showing my new design; FIG. 6 is a top plan view thereof; FIG. 7 is a side elevational view thereof, the golf cleat being symmetrical; FIG. 8 is a bottom plan view thereof; FIG. 9 is a bottom perspective view of a third embodiment of a golf cleat showing my new design; FIG. 10 is a top plan view thereof; FIG. 11 is a side elevational view thereof, the golf cleat being symmetrical; and, FIG. 12 is a bottom plan view thereof. The subject matter shown in broken line represents unclaimed environmental structure which is shown for illustrative purposes and forms no part of the claimed design.

1 Claim, 12 Drawing Sheets



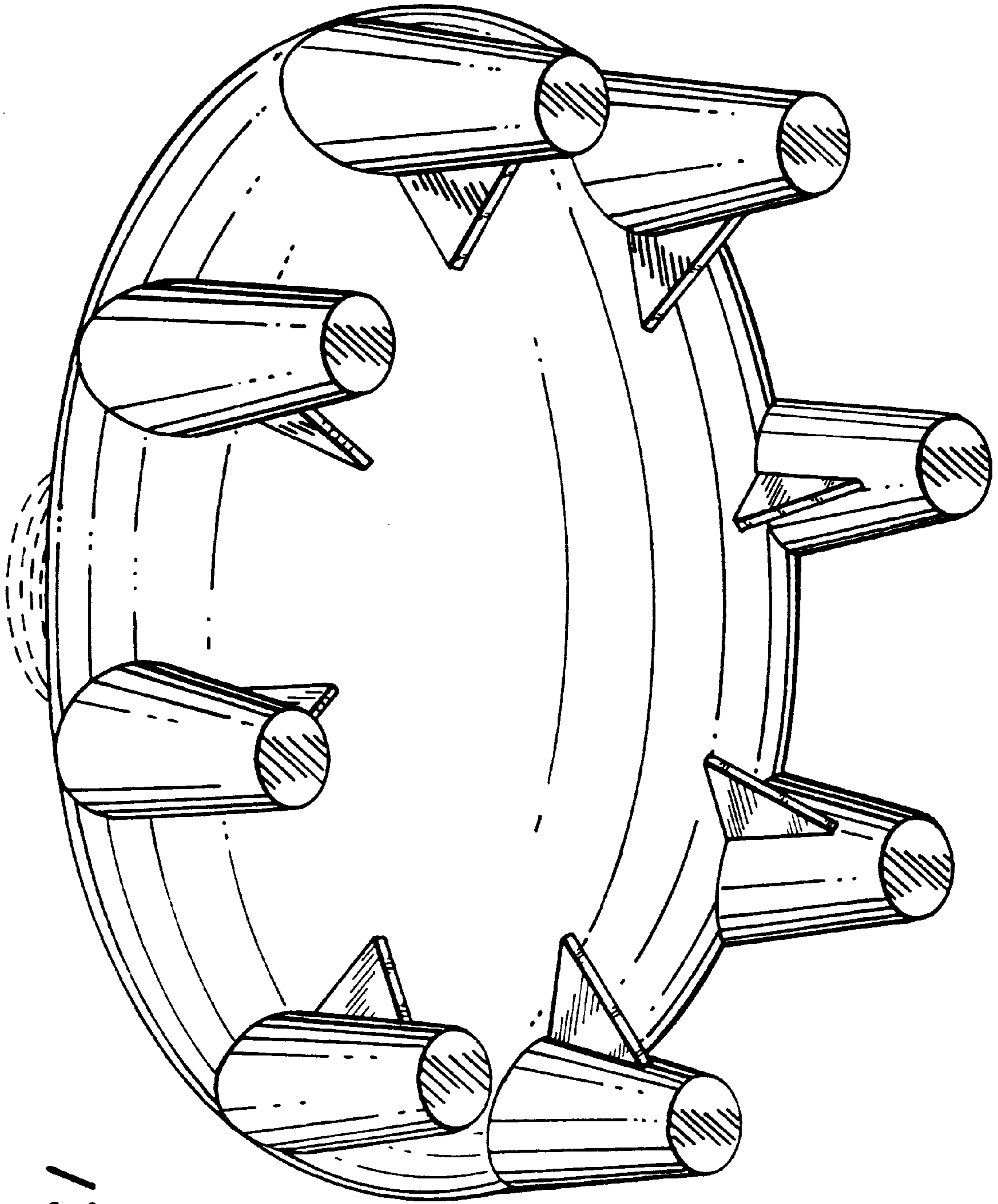


FIG. 1

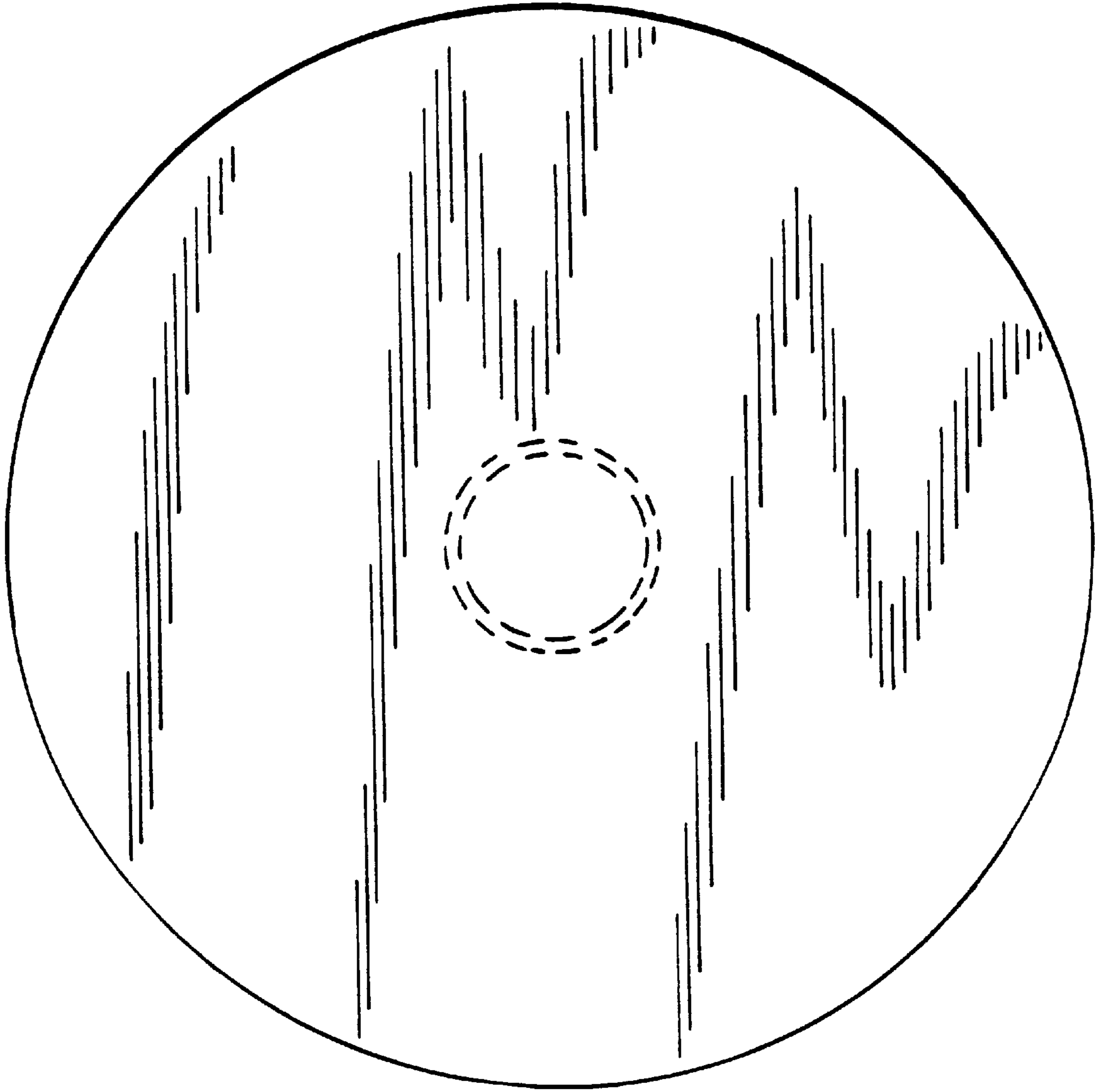


FIG. 2

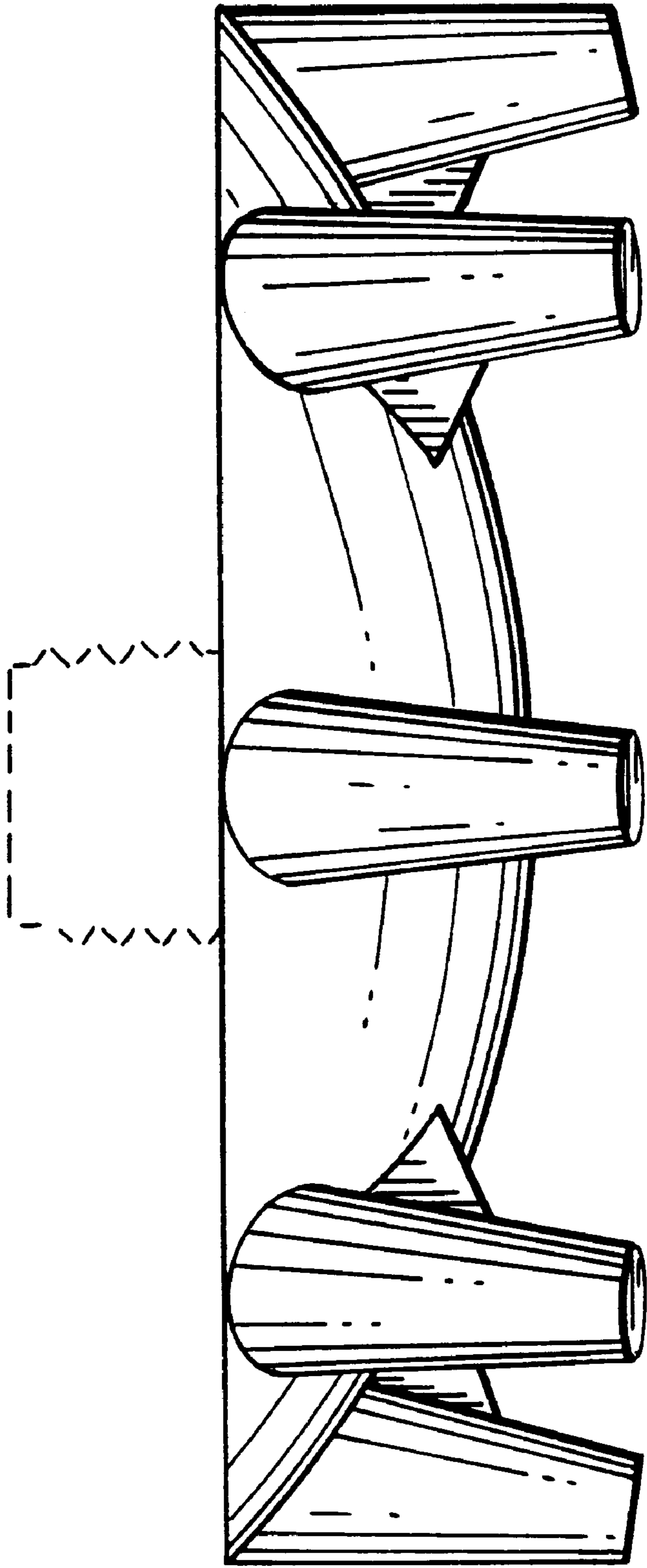


FIG. 3

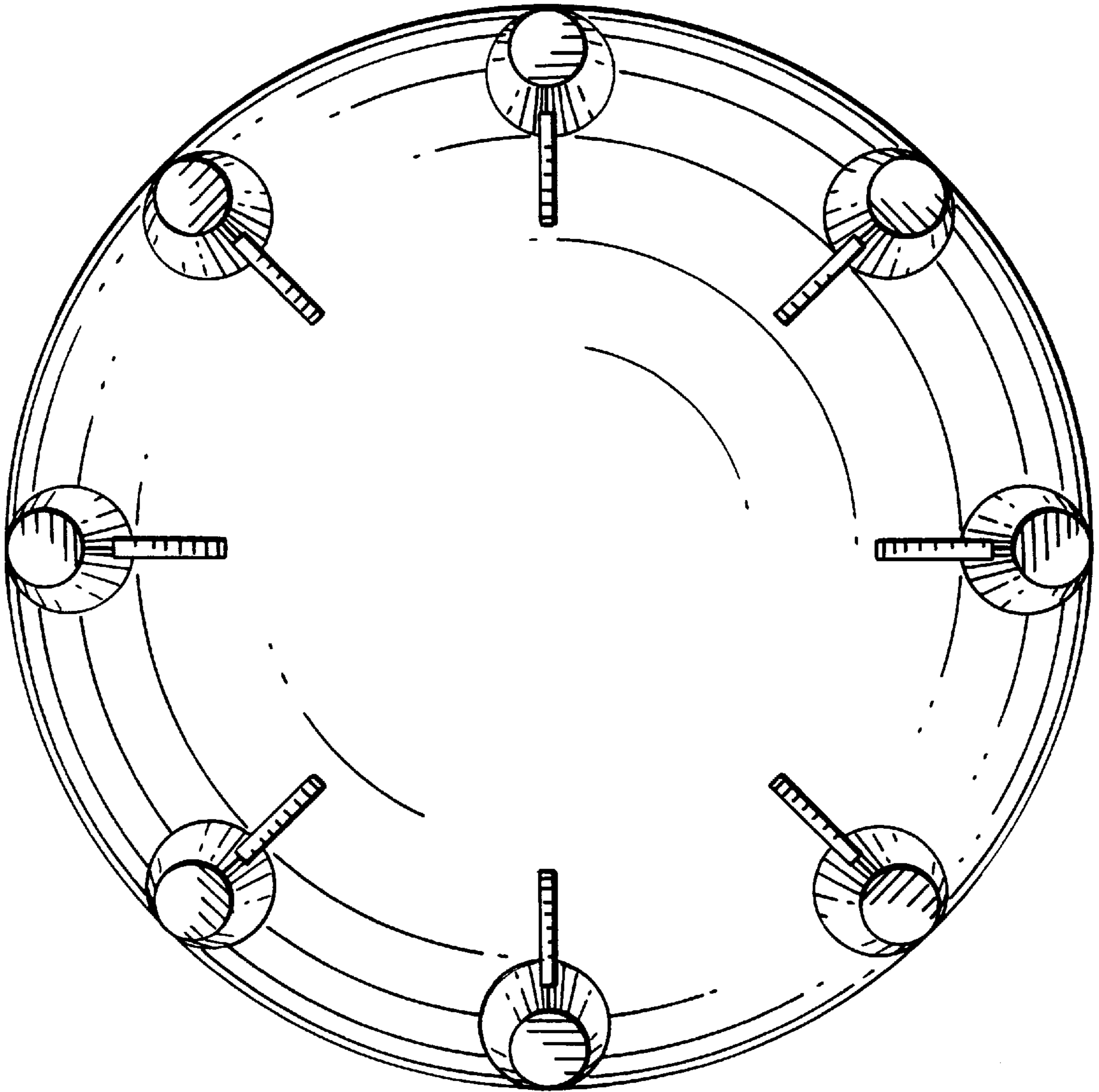


FIG. 4

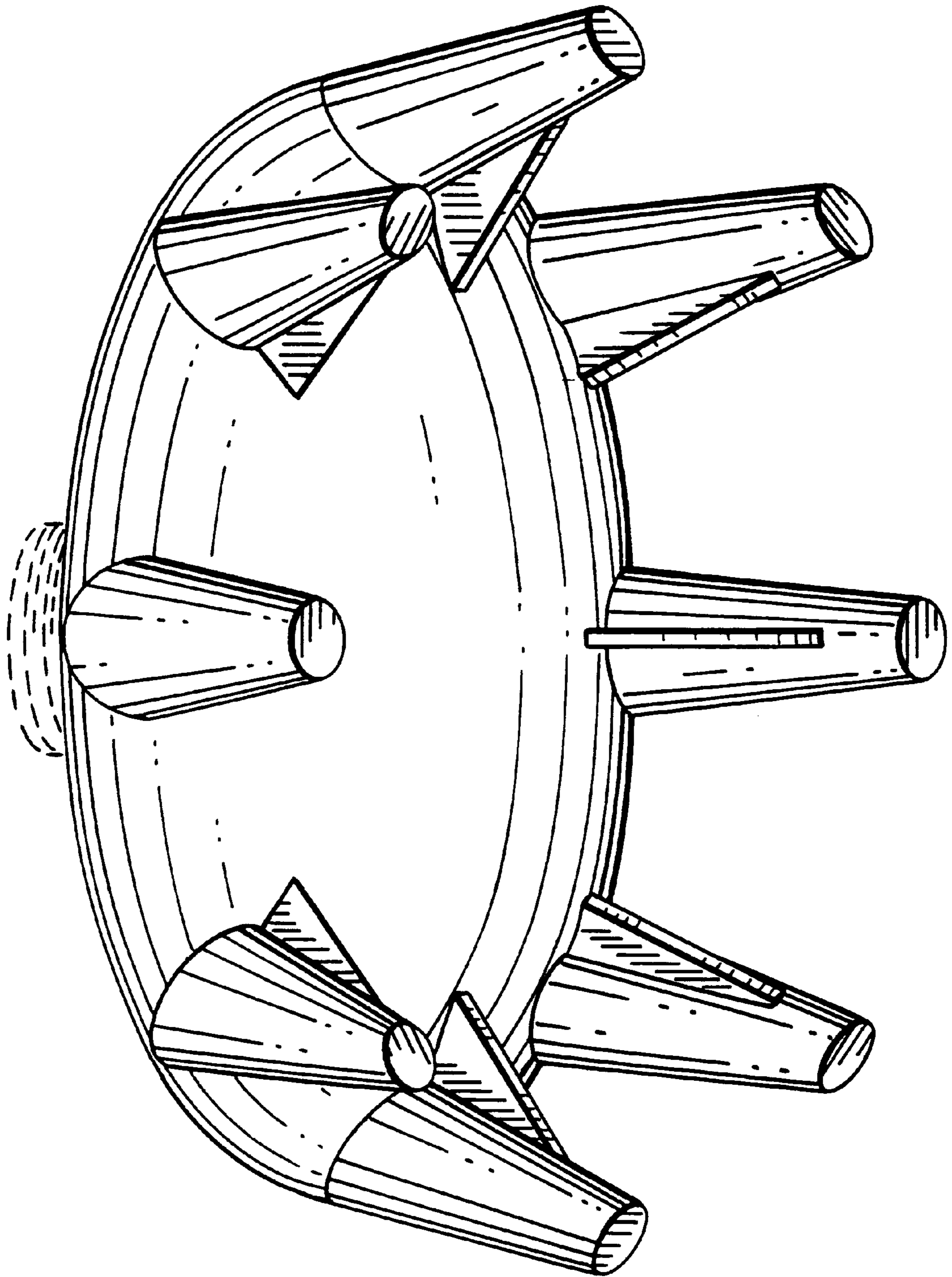


FIG. 5

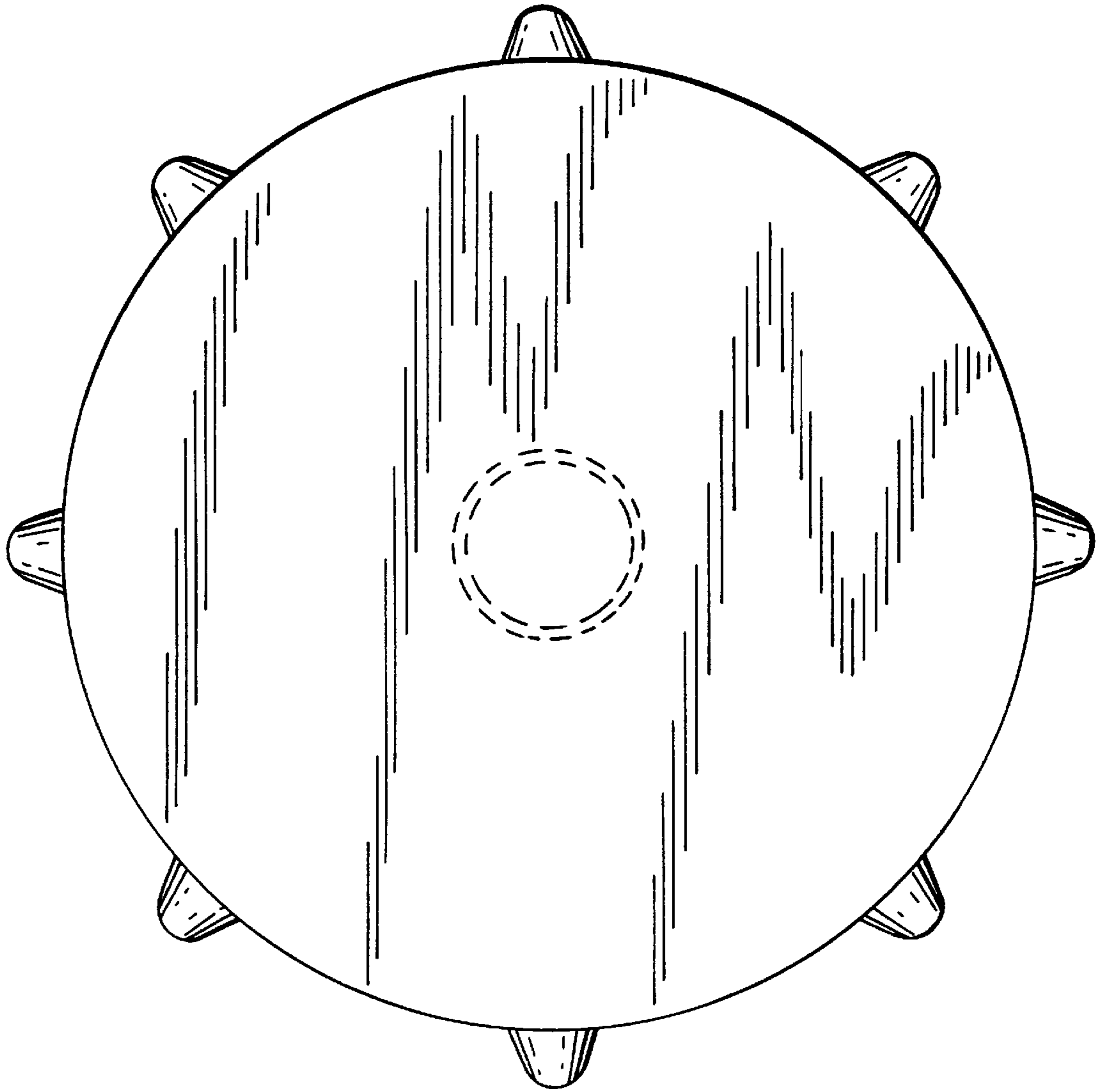


FIG. 6

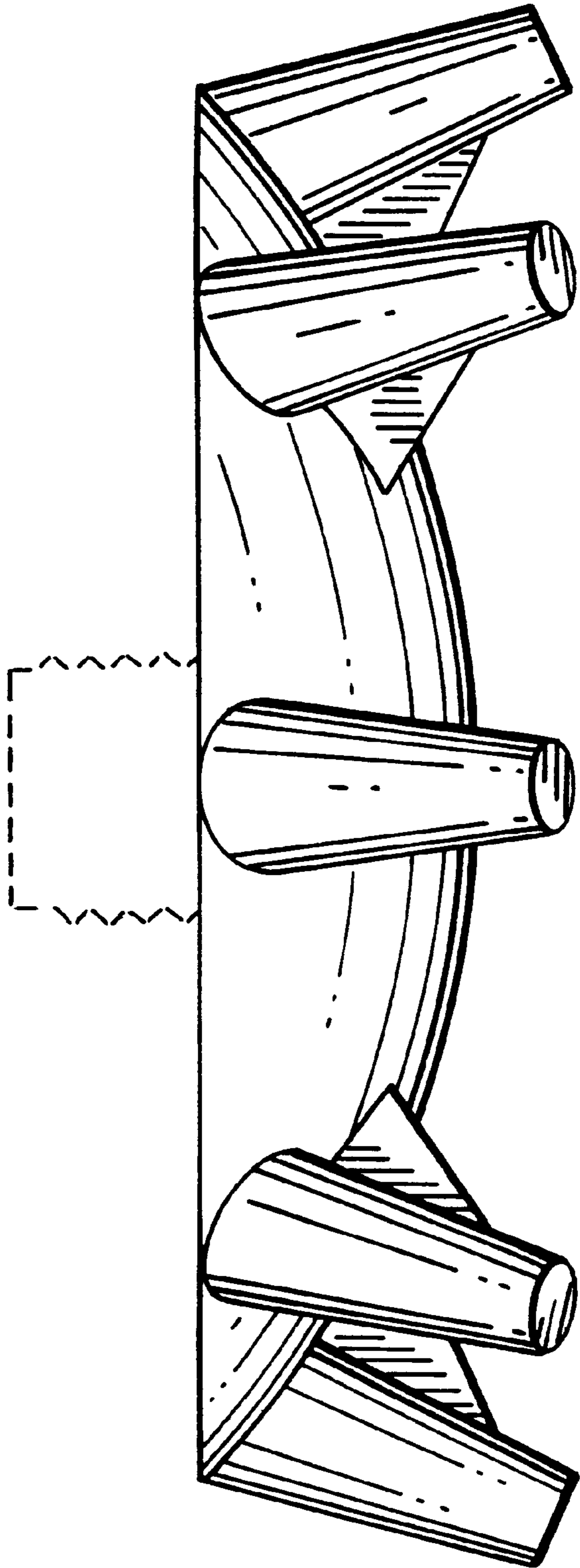


FIG. 7

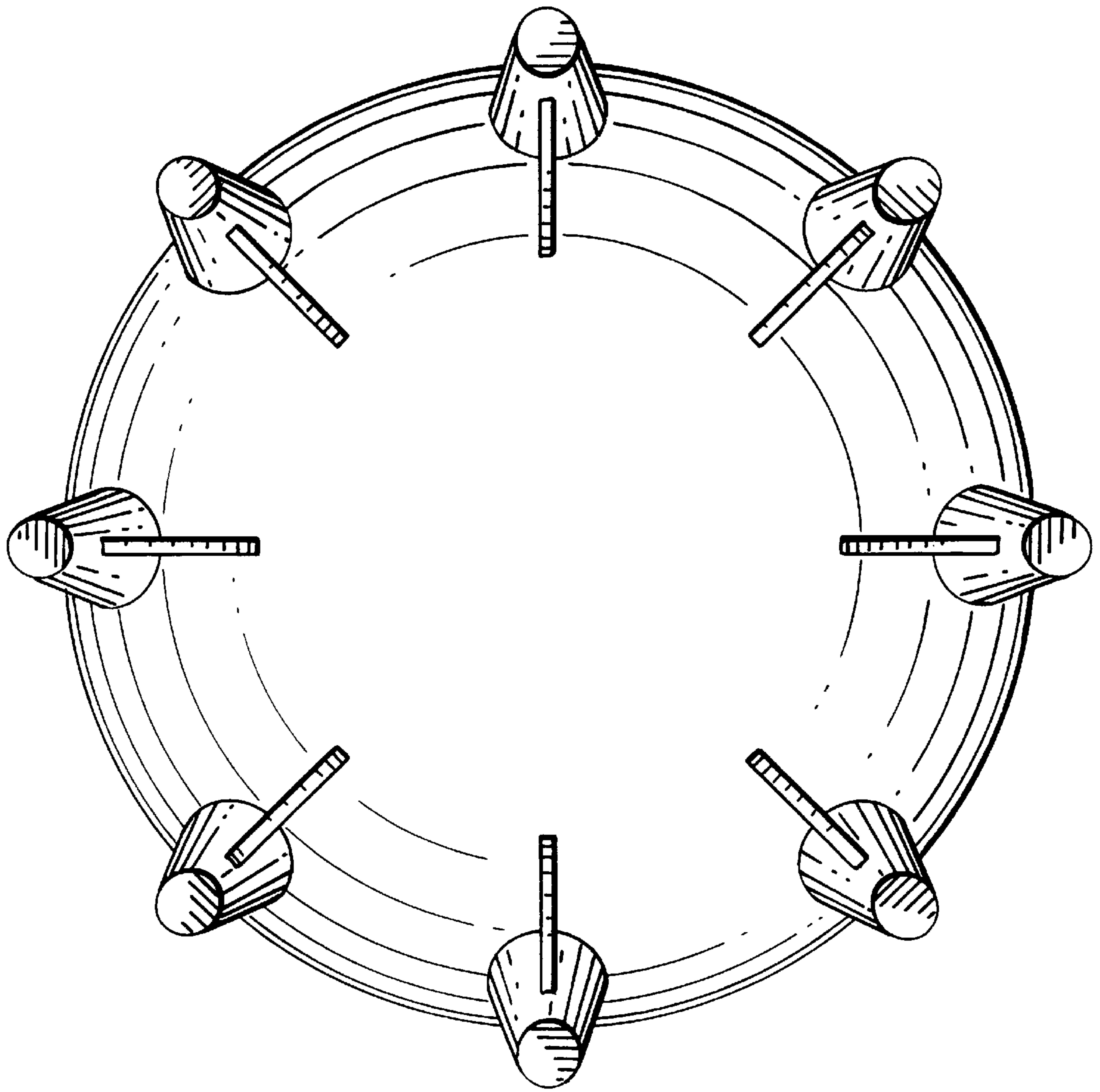


FIG. 8

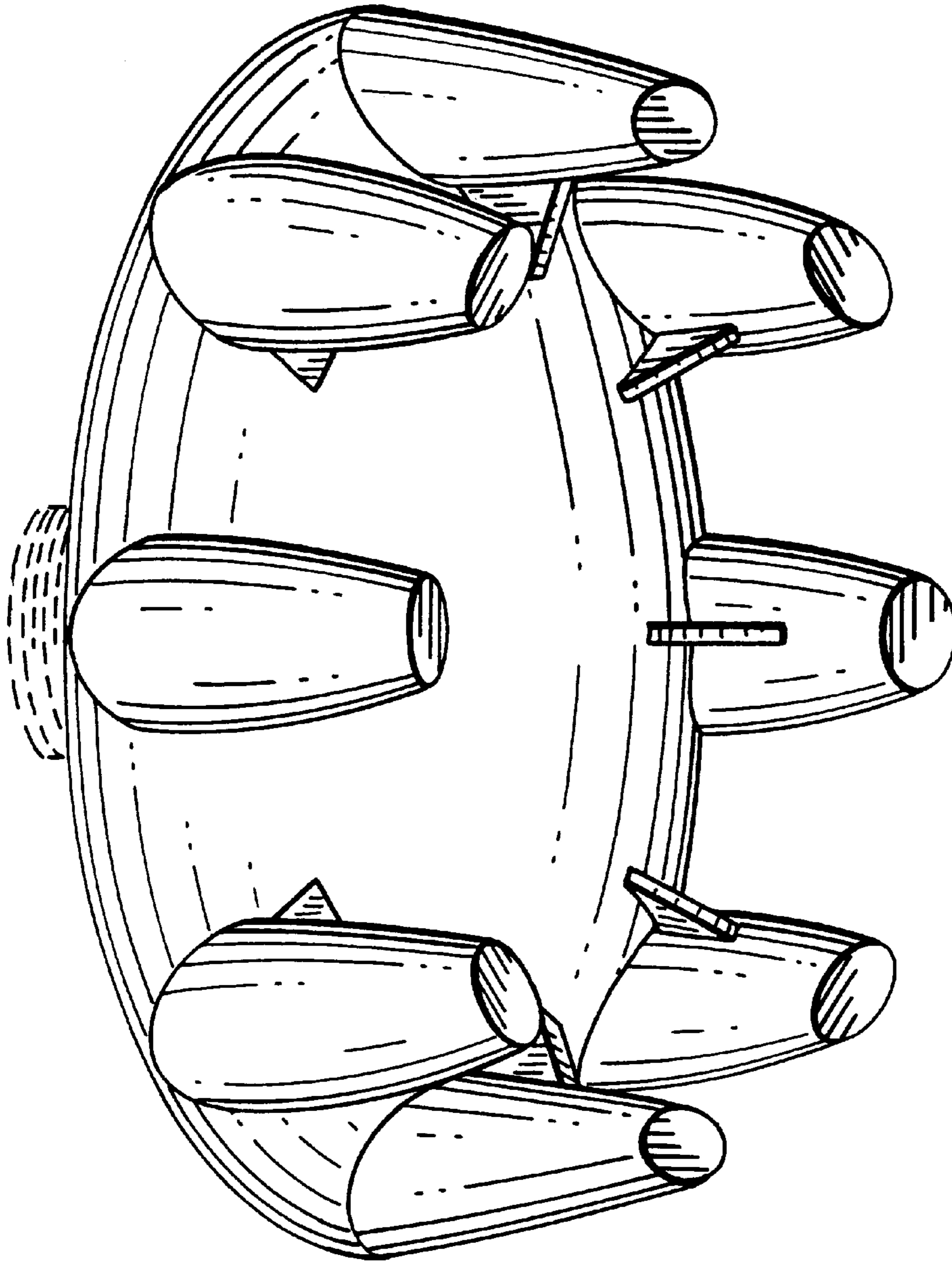


FIG. 9

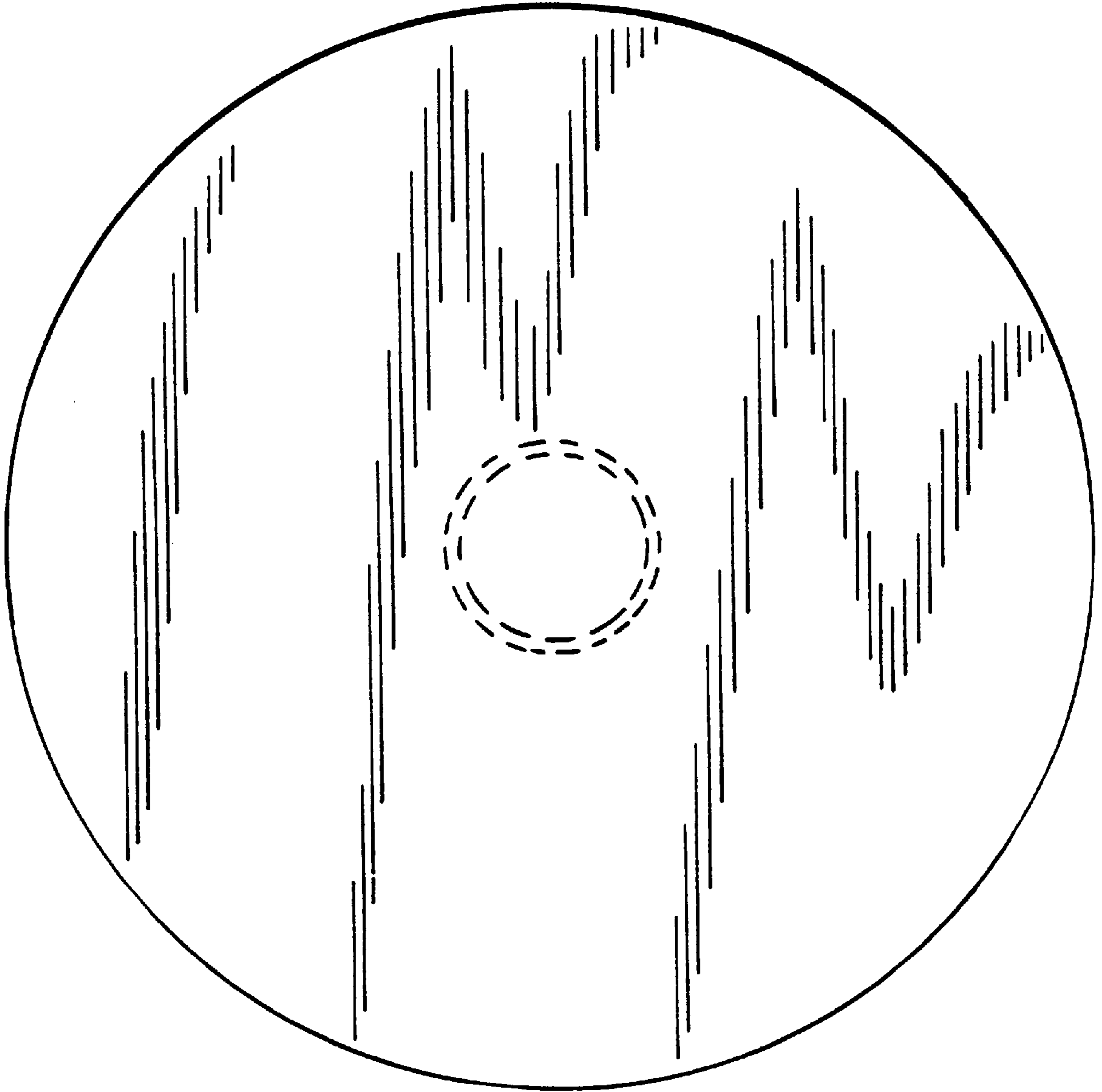


FIG. 10

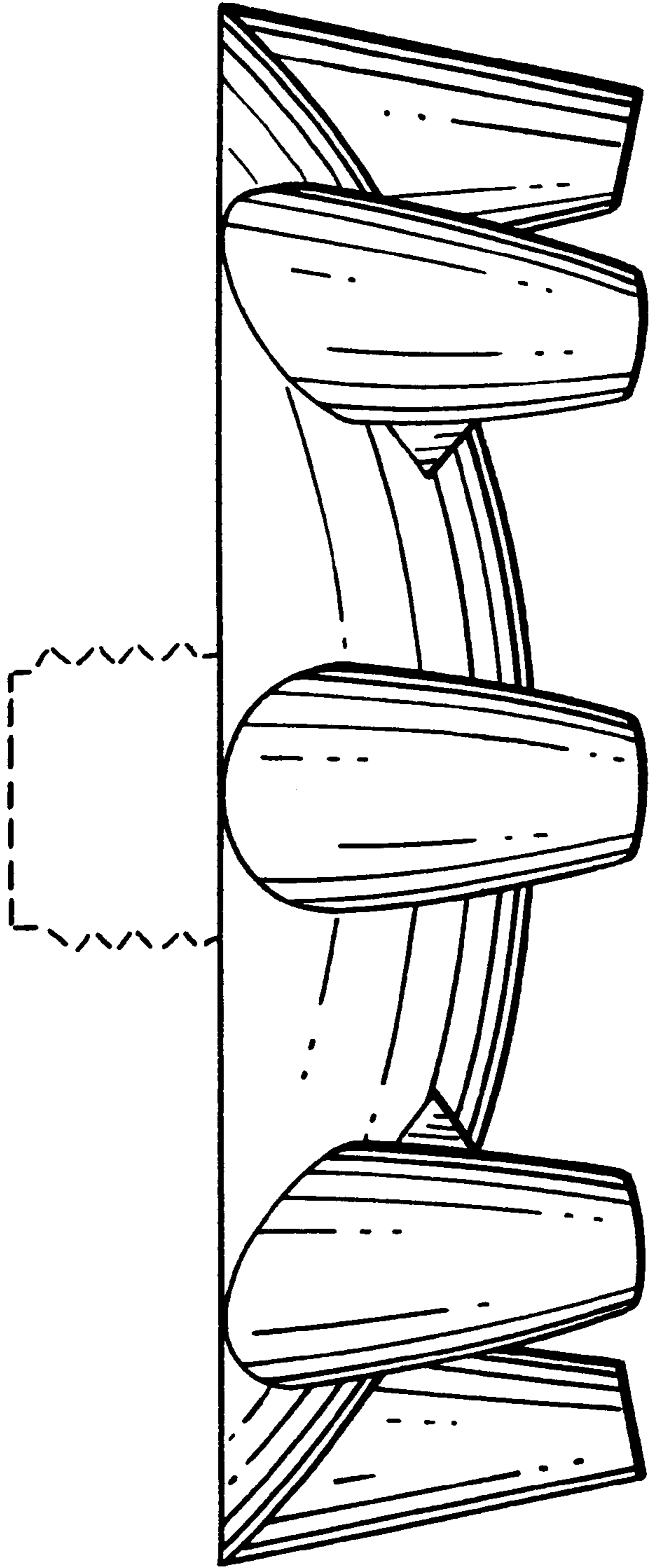


FIG. 11

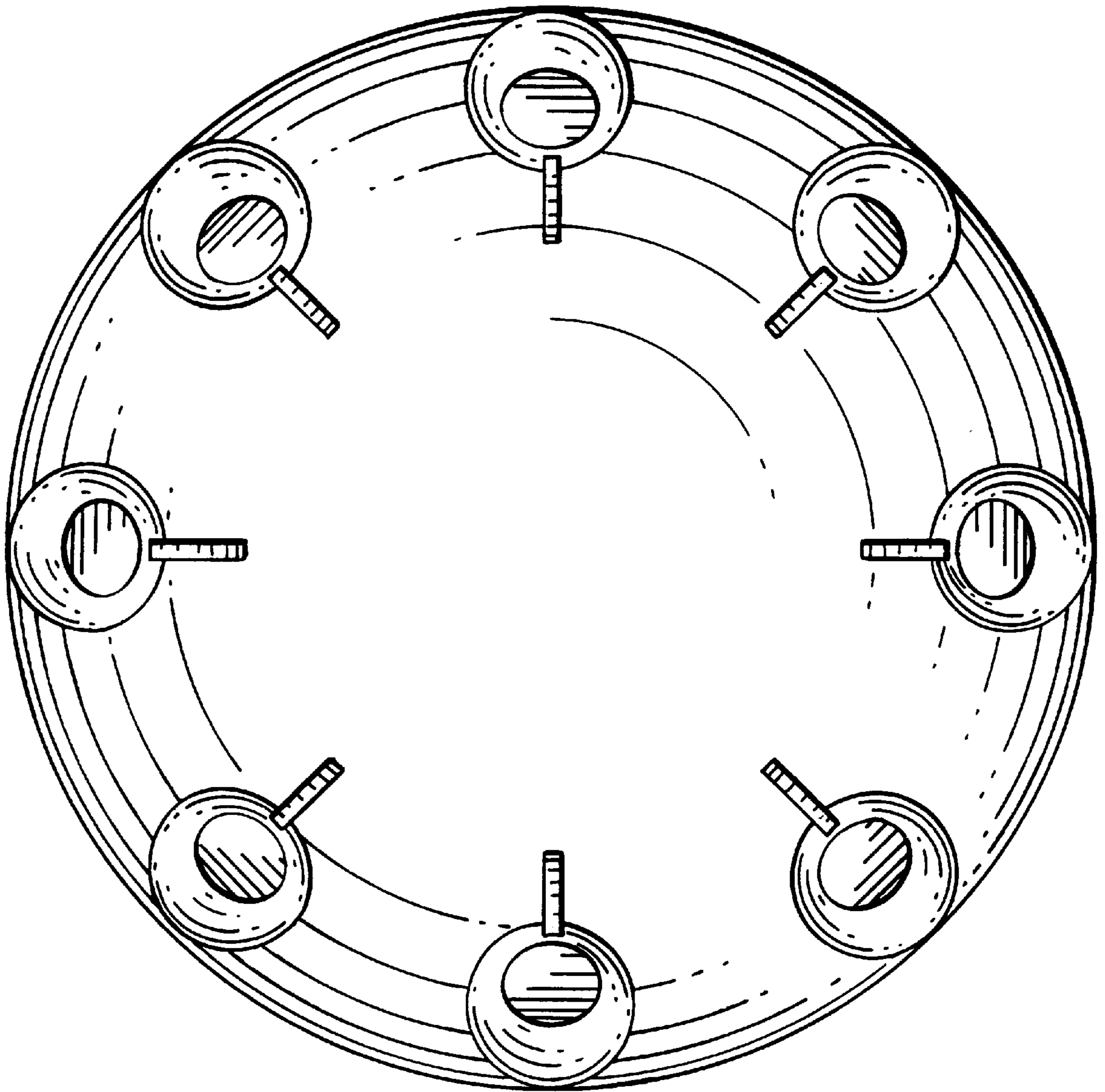


FIG. 12