



US00D415338S

# United States Patent [19] Phillips

[11] **Patent Number: Des. 415,338**

[45] **Date of Patent: \*\* Oct. 19, 1999**

[54] **TRANSPARENT FILLABLE PLATFORM SHOE**

3,925,915 12/1975 Colli ..... 36/11.5  
4,150,499 4/1979 Wang ..... 36/11.5  
4,297,798 11/1981 Colan ..... 36/11.5

[76] Inventor: **Lori J. Phillips**, 3319 E. University Dr., Mesa, Ariz. 85213

[\*\*] Term: **14 Years**

[21] Appl. No.: **29/090,231**

[22] Filed: **Jul. 3, 1998**

### FOREIGN PATENT DOCUMENTS

730844 5/1932 France ..... D2/916

*Primary Examiner*—Celia Murphy  
*Attorney, Agent, or Firm*—Richard R. Mybeck

### [57] CLAIM

The ornamental design for a transparent fillable platform shoe, as shown and described.

### Related U.S. Application Data

[63] Continuation of application No. 29/066,753, Feb. 20, 1997.

[51] **LOC (6) Cl.** ..... **02-04**

[52] **U.S. Cl.** ..... **D2/927**

[58] **Field of Search** ..... D2/916-927, 928;  
36/11.5, 25 R

### DESCRIPTION

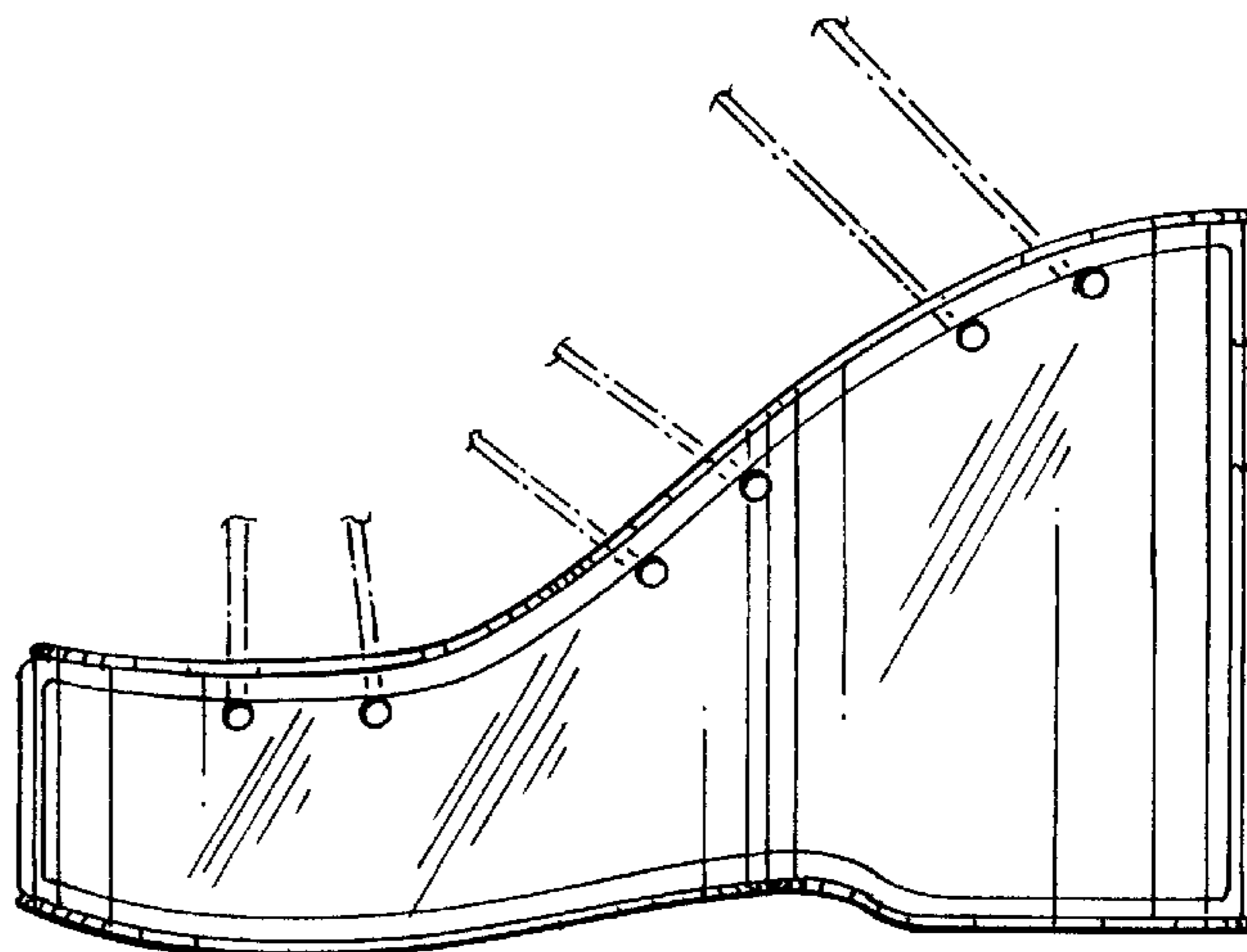
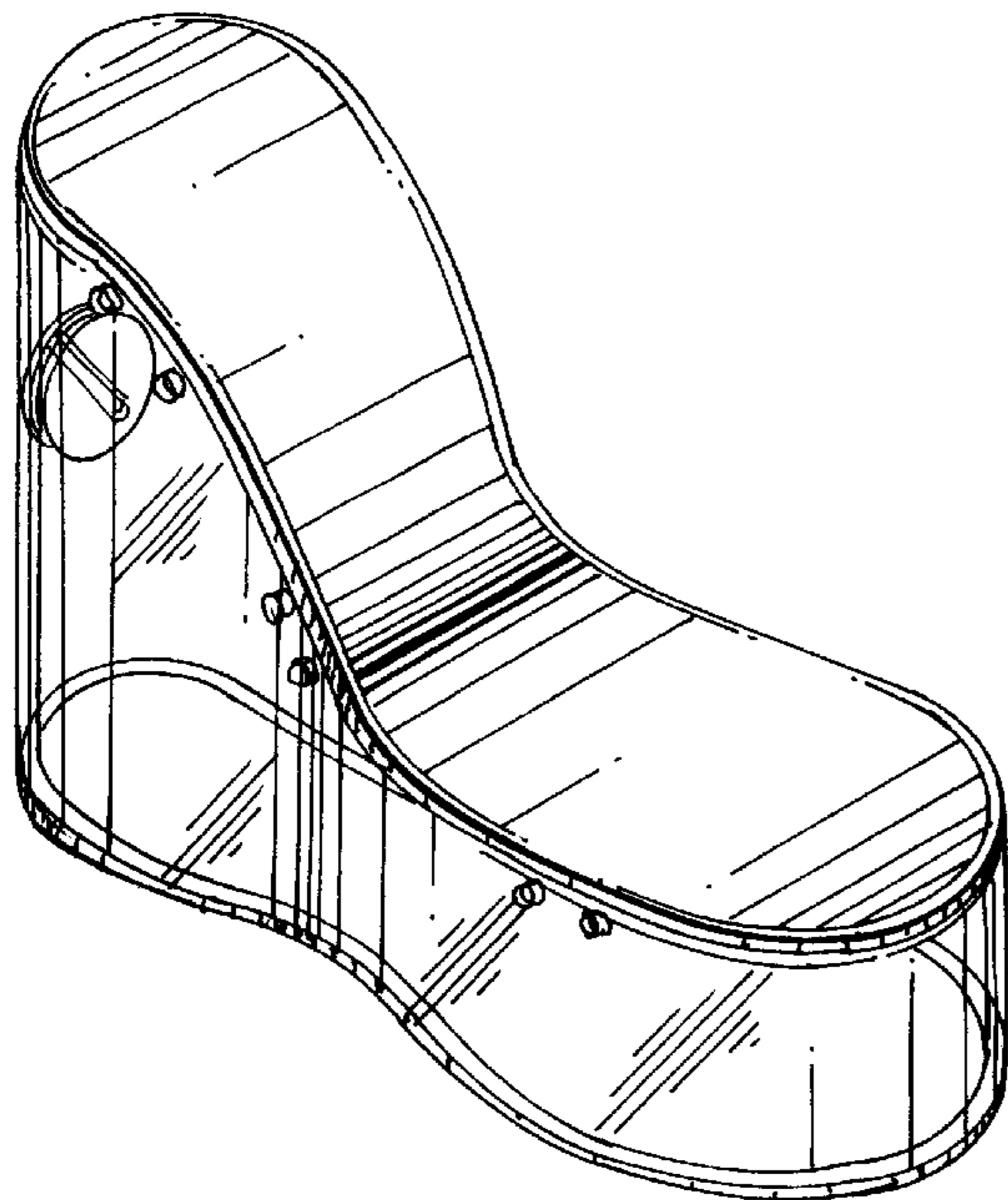
FIG. 1 is a perspective view from the upper right front of a platform shoe showing my new design;  
FIG. 2 is a top plan thereof;  
FIG. 3 is a bottom plan thereof;  
FIG. 4 is a front elevational view thereof;  
FIG. 5 is a rear elevational view thereof; and,  
FIG. 6 is a left side elevation thereof, the broken lines showing the shoelaces being for illustrative purposes only and forming no part of the claimed design.

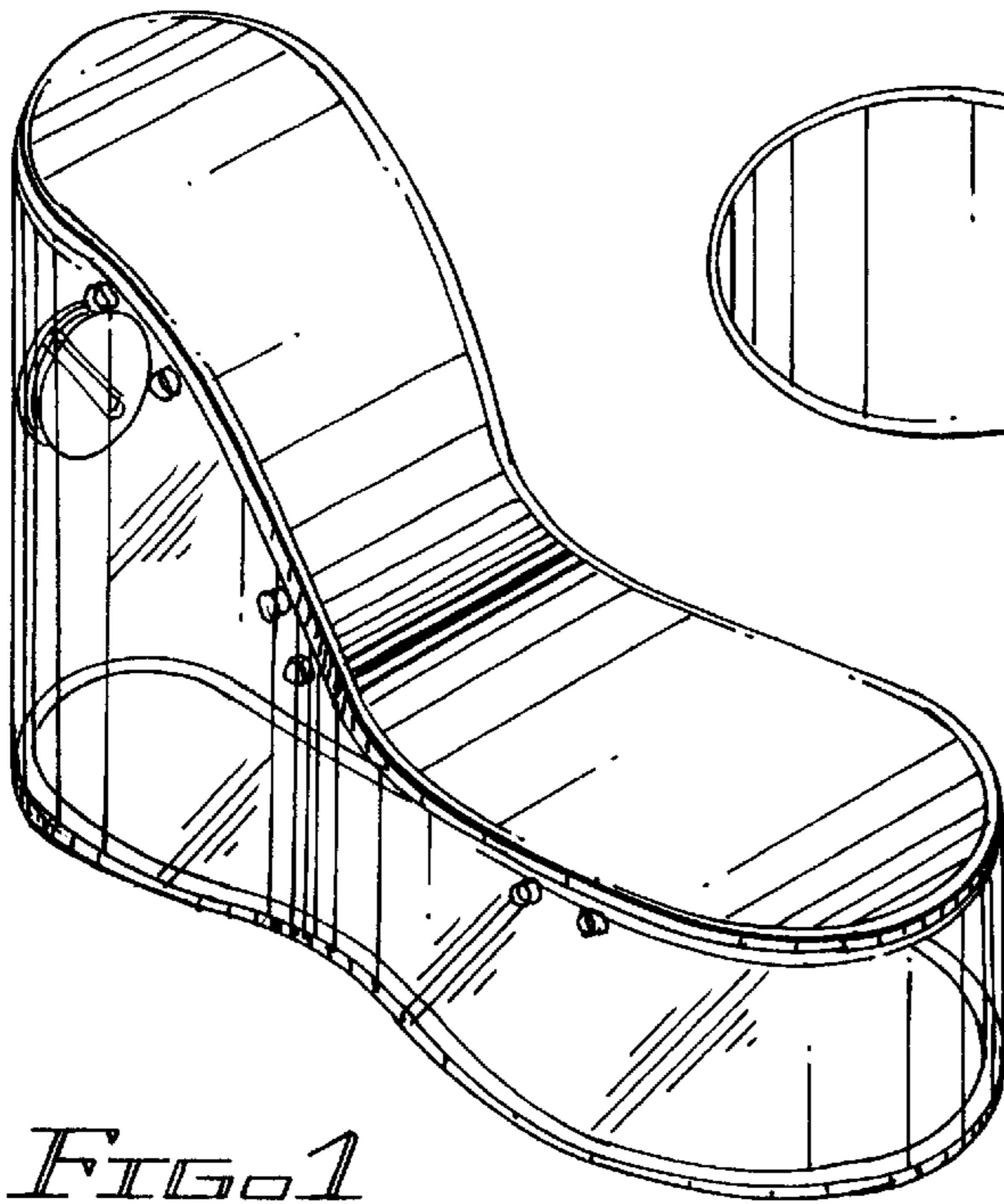
### [56] References Cited

#### U.S. PATENT DOCUMENTS

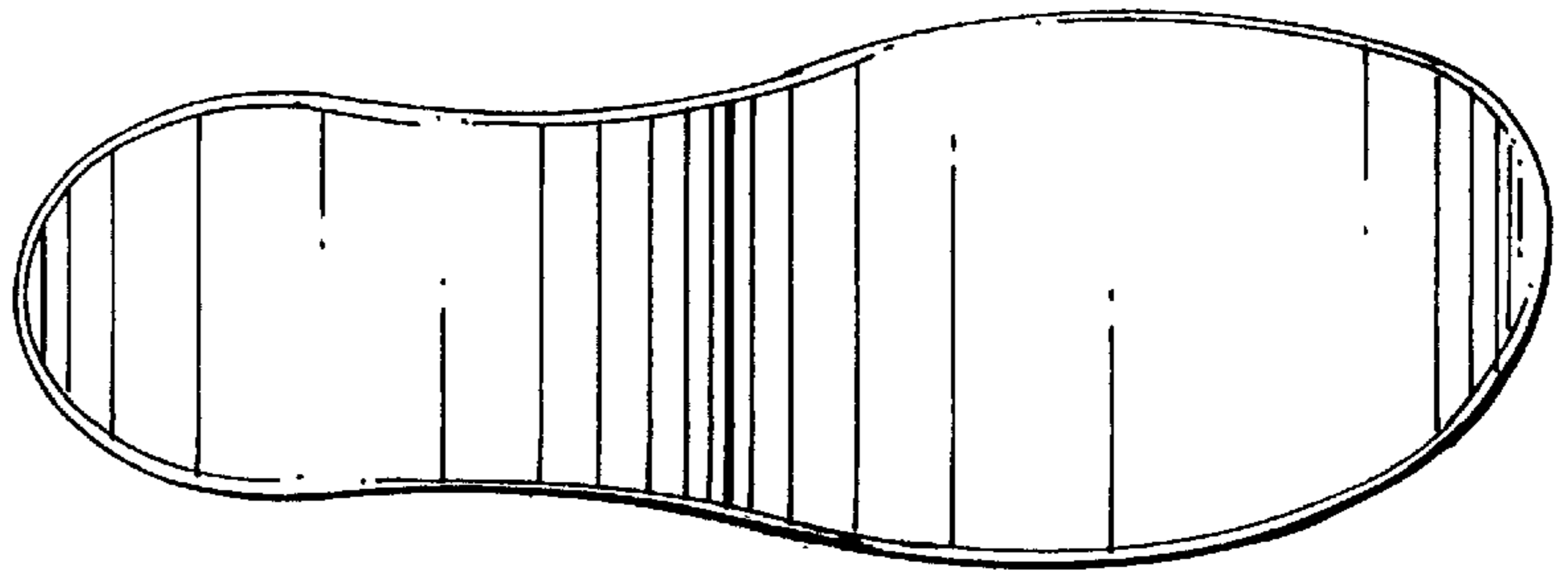
D. 178,809 9/1956 Santisi ..... D2/927  
2,381,389 8/1945 Riesing ..... 36/11.5  
2,395,767 2/1946 Sutcliffe ..... 36/11.5  
2,469,708 5/1949 Alexander ..... 36/11.5

**1 Claim, 1 Drawing Sheet**

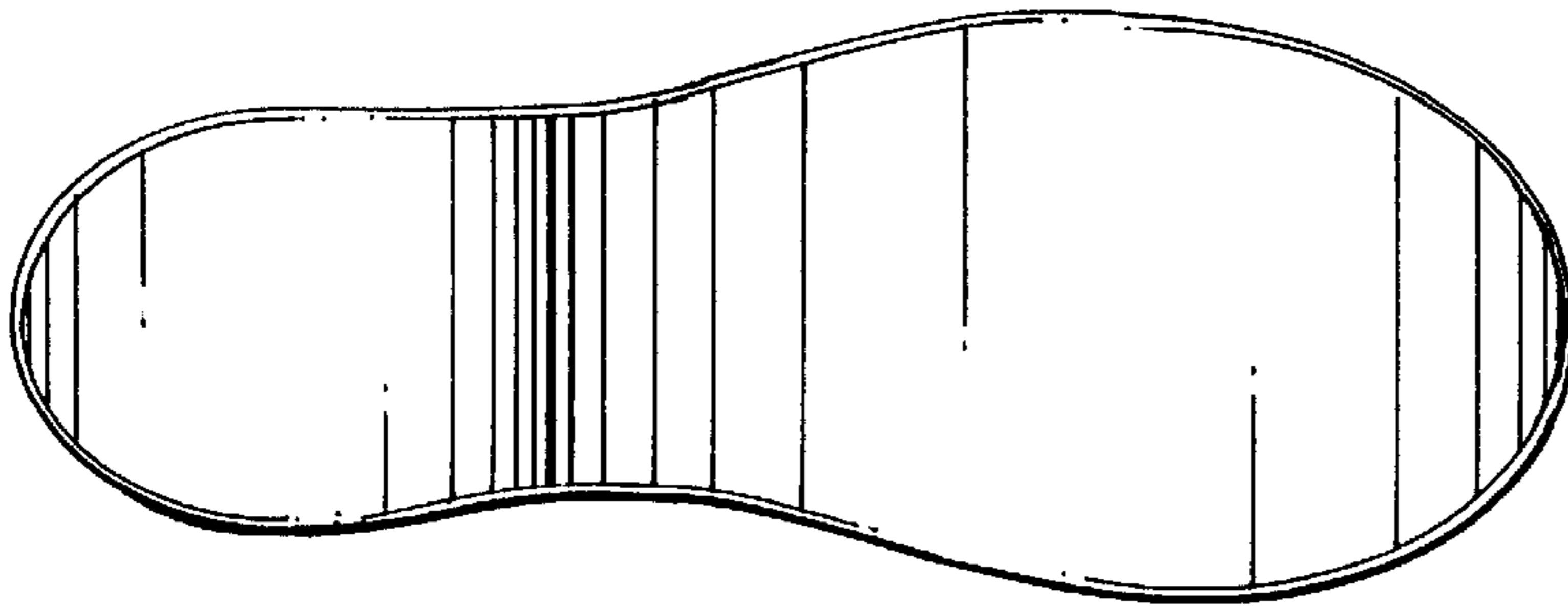




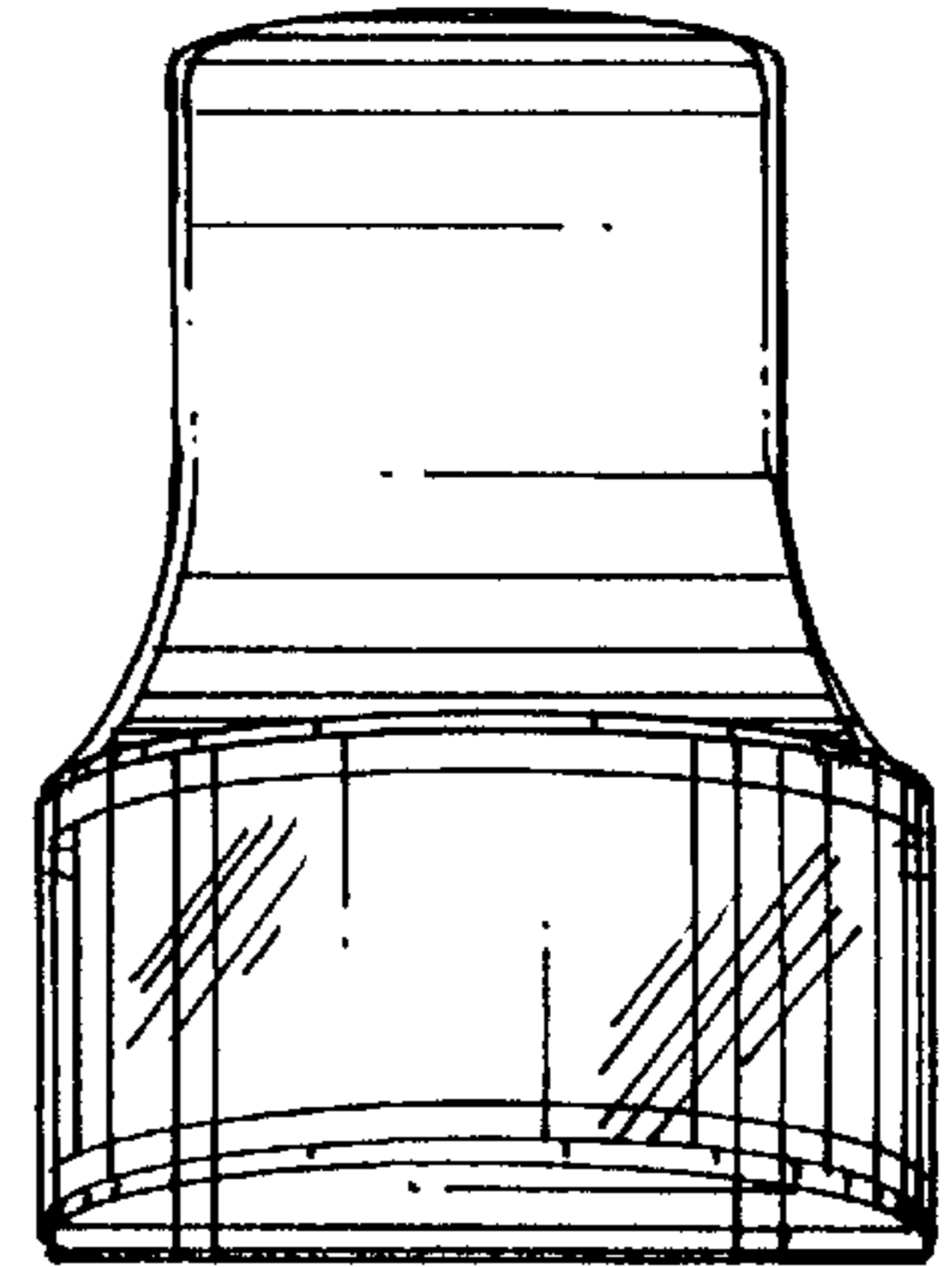
*FIG. 1*



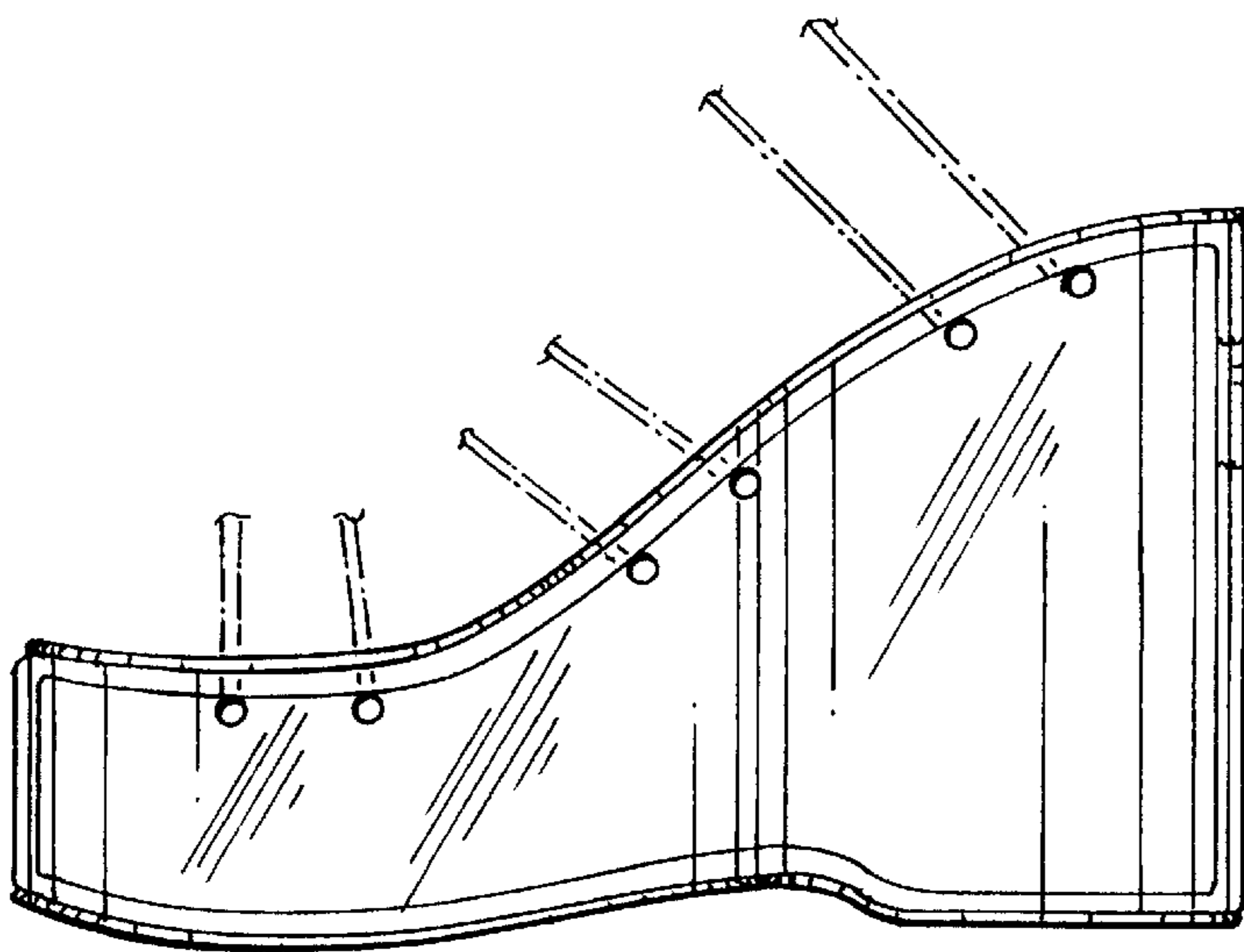
*FIG. 2*



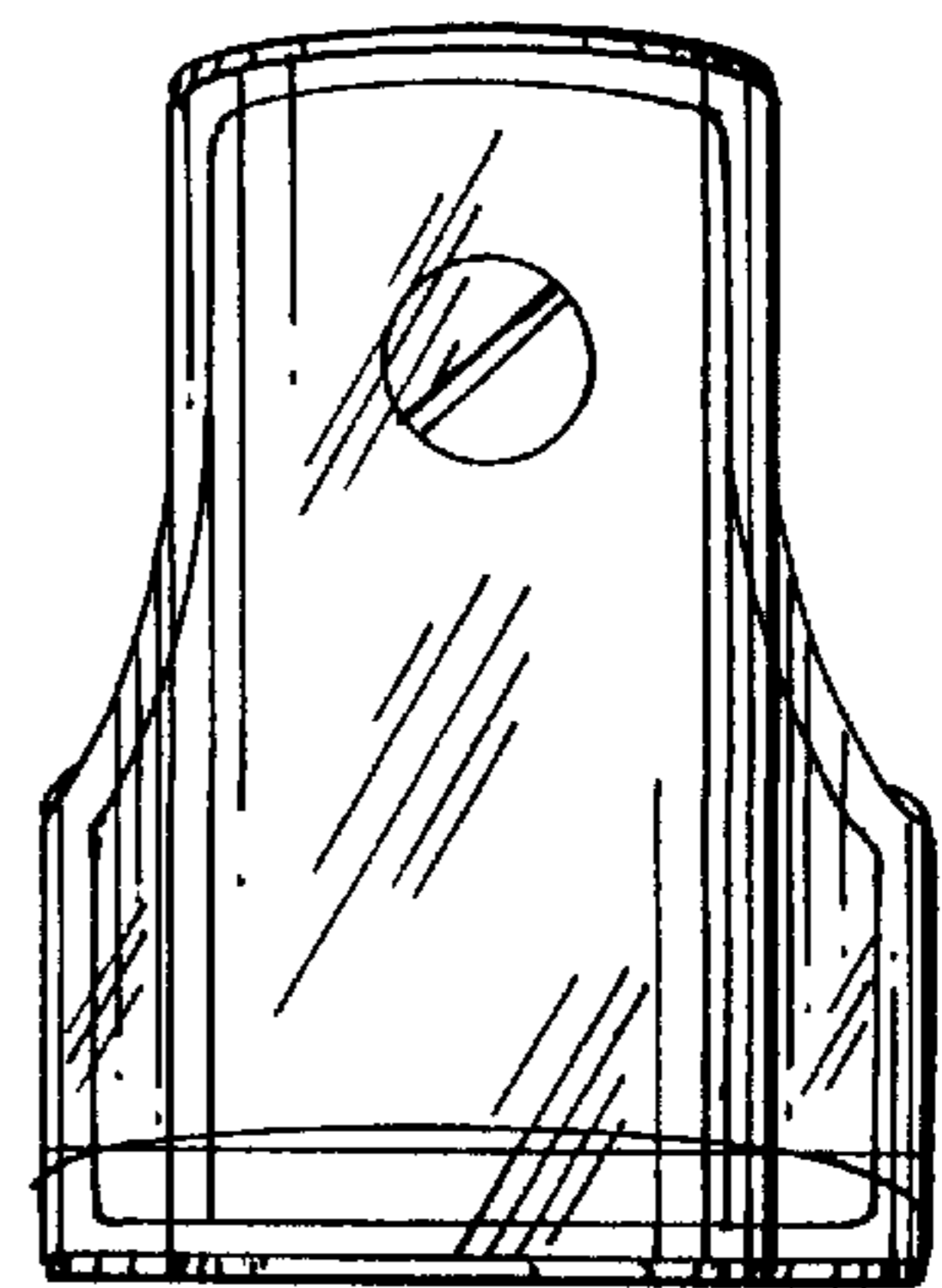
*FIG. 3*



*FIG. 4*



*FIG. 6*



*FIG. 5*