



US00D415325S

United States Patent [19]

Hellinger et al.

[11] Patent Number: Des. 415,325

[45] Date of Patent: ** *Oct. 12, 1999

[54] ICE SCRAPER

[75] Inventors: Gary L. Hellinger; Marilyn S. Hellinger, both of Greenwich, Conn.; Edward A. Wagschal, New York, N.Y.

[73] Assignee: Gary Plastic Packaging Corp., Bronx, N.Y.

[*] Notice: This patent is subject to a terminal disclaimer.

[**] Term: 14 Years

[21] Appl. No.: 29/092,987

[22] Filed: Aug. 31, 1998

[51] LOC (6) Cl. 08-05

[52] U.S. Cl. D32/49; D32/46

[58] Field of Search D32/42, 40, 46, D32/49, 47, 48; 15/111, 236.01, 236.02, 105; 30/162, 169

D. 367,707	3/1996	Baker	D24/147
D. 372,349	7/1996	Adair	D32/49
D. 377,251	1/1997	Mitchell	D32/49
D. 377,856	2/1997	Hartman	D32/48
D. 392,784	3/1998	Hellinger et al.	D32/49
D. 394,923	6/1998	Hellinger et al.	D32/49
D. 395,104	6/1998	Huang	D32/49
D. 396,910	8/1998	Henke	D32/49
3,036,322	5/1962	Jorgensen	15/111
3,070,823	1/1963	Heinig	15/507
3,683,496	8/1972	Johnson	30/169
4,040,140	8/1977	Hopkins et al.	15/236 R
4,141,111	2/1979	Hopkins et al.	15/236 R
4,164,801	8/1979	Thomas	15/236 R
4,275,476	6/1981	Hopkins et al.	15/236 R
4,305,175	12/1981	Burgess, Jr.	15/236 R
4,468,831	9/1984	Schneider	15/236.01
4,538,320	9/1985	Batt	15/236 R
4,567,616	2/1986	Lyons	7/105
4,612,707	9/1986	Shea	30/162
5,680,668	10/1997	Kim	15/236.01

Primary Examiner—Susan J. Lucas
Assistant Examiner—Cynthia E. Ramirez
Attorney, Agent, or Firm—Fish & Neave; Jeffrey H. Ingerman

[56] References Cited

U.S. PATENT DOCUMENTS

D. 170,460	9/1953	Hauser	D9/6
D. 181,903	1/1958	Dreyling et al.	D9/6
D. 219,303	11/1970	Golden	D7/6
D. 230,391	2/1974	Dudte	D7/181
D. 241,498	9/1976	Smith	D7/184
D. 246,414	11/1977	Hopkins et al.	D7/181
D. 260,959	9/1981	Schmarr	D32/49
D. 271,626	11/1983	Bauer	D32/42
D. 271,628	11/1983	Bauer	D32/49
D. 279,415	6/1985	Osrow et al.	D32/49
D. 292,949	12/1987	Vetter	D4/116
D. 307,077	4/1990	Bryant	D4/138
D. 324,931	3/1992	Most	D32/49
D. 343,265	1/1994	Pollak et al.	D32/41
D. 362,093	9/1995	Vogt	D32/42
D. 367,344	2/1996	Kruse	D32/49

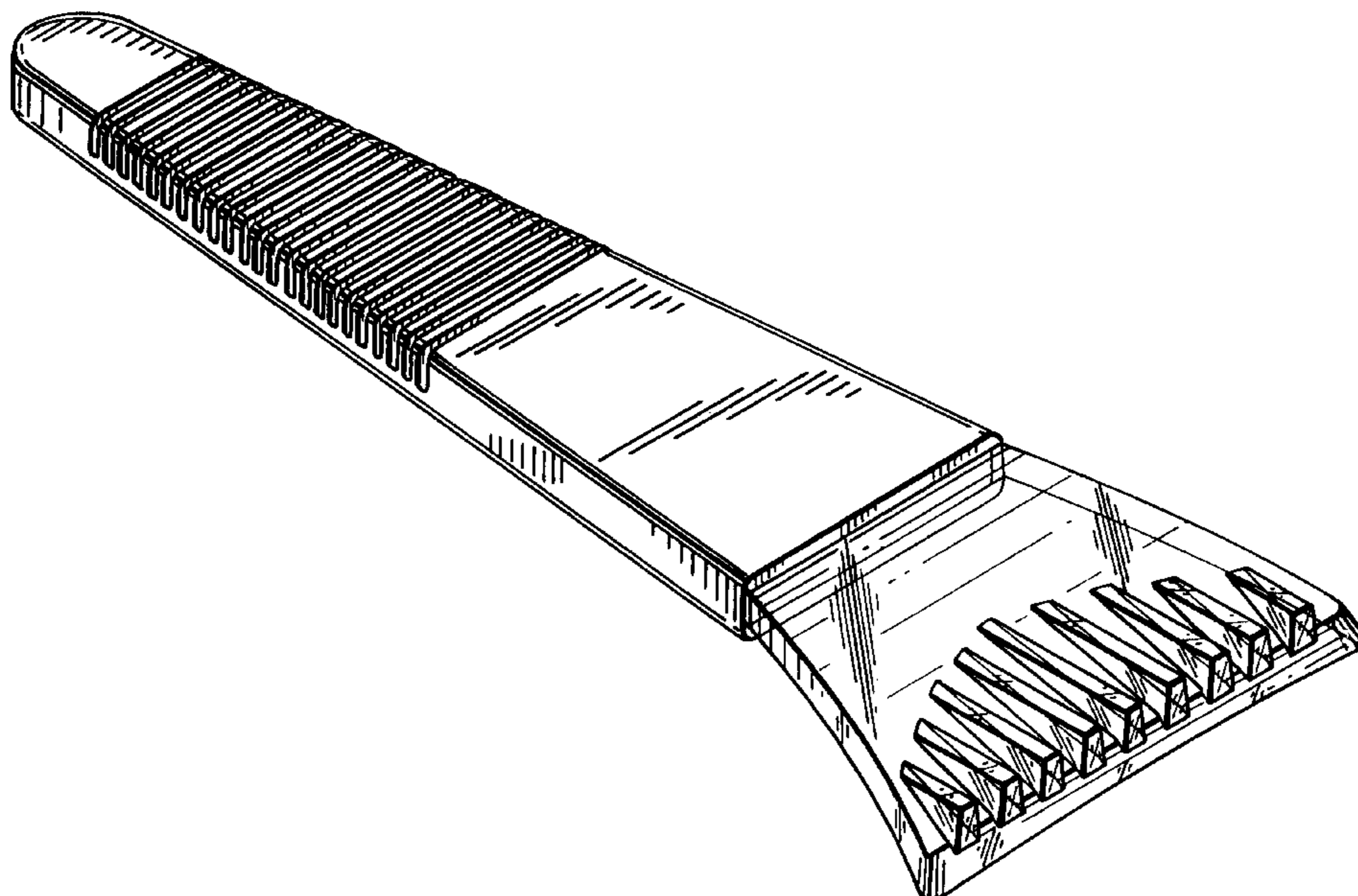
[57] CLAIM

The ornamental design for an ice scraper, as shown and described.

DESCRIPTION

FIG. 1 is a top, front, left perspective view of an ice scraper showing our new design;
FIG. 2 is a front elevational view thereof;
FIG. 3 is a top plan view thereof;
FIG. 4 is a right side elevational view thereof, the left side being a mirror image;
FIG. 5 is a rear elevational view thereof; and,
FIG. 6 is a bottom plan view thereof.

1 Claim, 3 Drawing Sheets



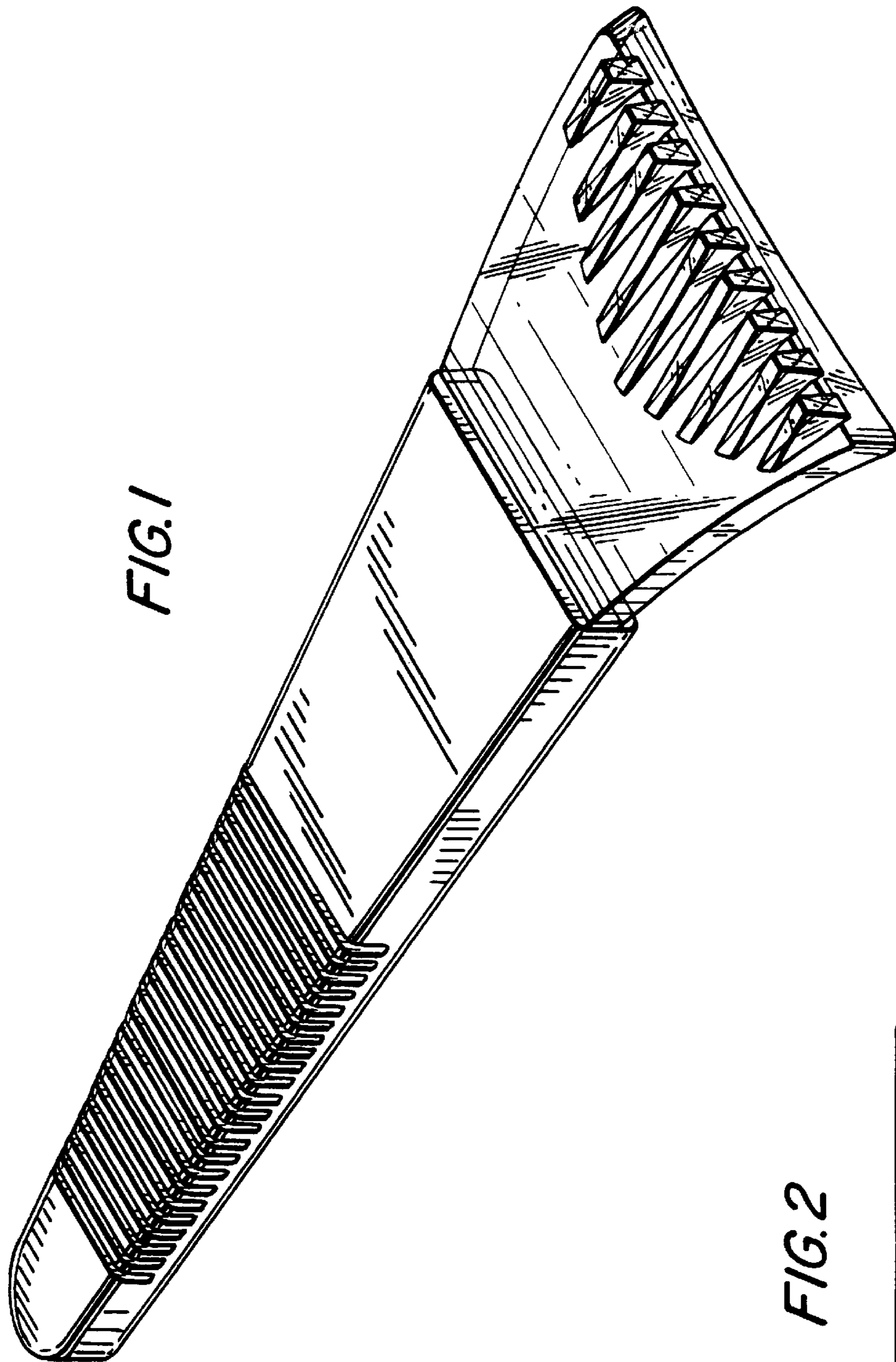


FIG. 2

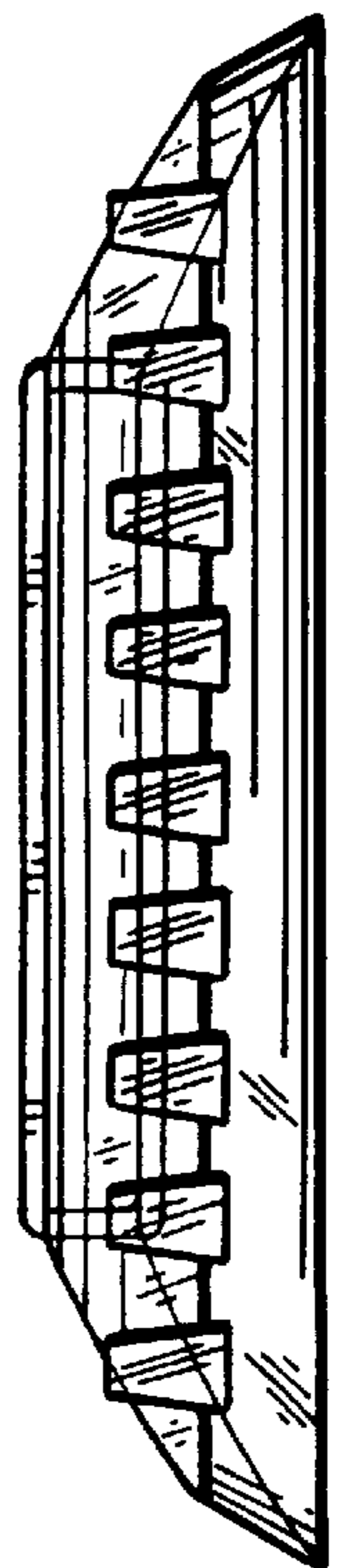


FIG. 3

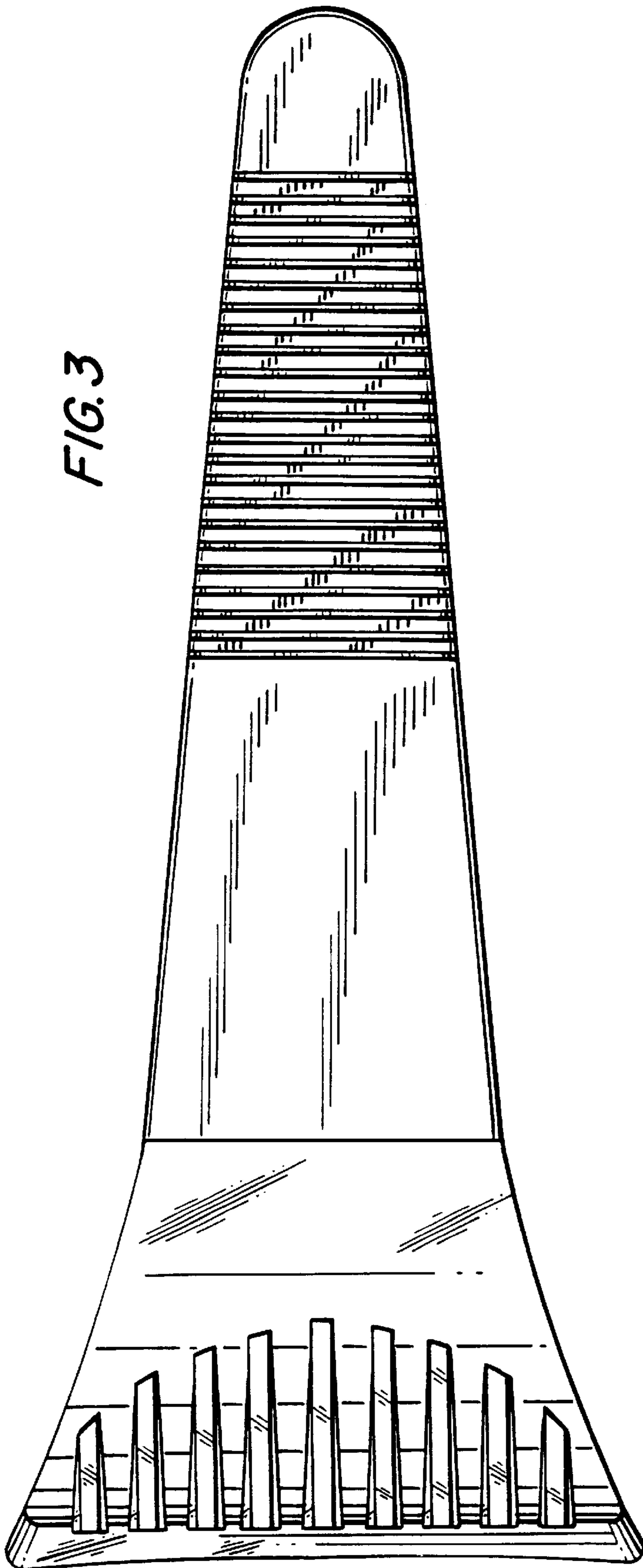


FIG. 4

