



US00D415318S

United States Patent [19]
Baltierra

[11] **Patent Number: Des. 415,318**

[45] **Date of Patent: ** Oct. 12, 1999**

[54] **CUTICLE PUSHER HAVING A CLAMSHELL HEAD**

1,855,063 4/1932 Lovette 30/26
2,479,514 8/1949 Rucker 132/75.6

[76] Inventor: **Julie Baltierra**, 2243 Pacific Ave., No. 104-A, Costa Mesa, Calif. 92627

Primary Examiner—Ted Shooman
Assistant Examiner—C. Tuttle
Attorney, Agent, or Firm—Leonard Tachner

[**] Term: **14 Years**

[57] **CLAIM**

[21] Appl. No.: **29/069,536**

The ornamental design for a cuticle pusher having a clamshell head, as shown and described.

[22] Filed: **Apr. 25, 1997**

DESCRIPTION

[51] **LOC (6) Cl.** **28-03**

[52] **U.S. Cl.** **D28/57**

[58] **Field of Search** D28/56, 57; 132/73, 132/73.5, 75.3, 75.6, 76.2; 30/26

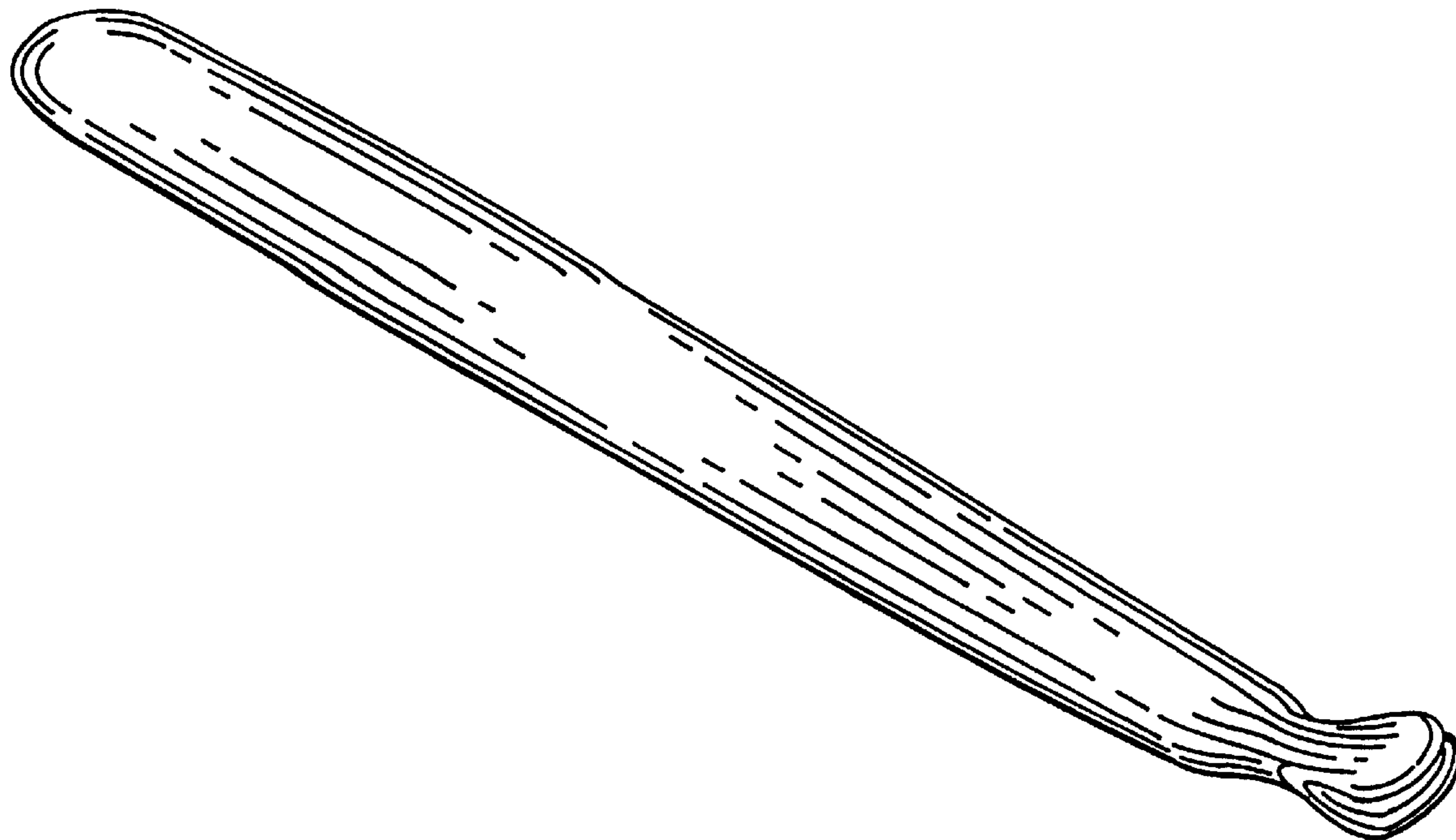
FIG. 1 is a perspective view of the my design;
FIG. 2 is a left side view thereof;
FIG. 3 is a top view thereof;
FIG. 4 is a bottom view thereof;
FIG. 5 is a front end view thereof;
FIG. 6 is a rear end view thereof; and,
FIG. 7 is a side view showing the invention being used for pushing cuticle tissue of a fingernail.
The broken line showing of the finger is for illustration purposes only and forms no part of the claimed design.

[56] **References Cited**

U.S. PATENT DOCUMENTS

D. 152,708	2/1949	Levnaich	D28/57
D. 330,607	10/1992	Lunderman et al.	D28/57
D. 356,186	3/1995	Mennicken	D28/57
466,097	12/1891	Guess	132/75.4 X
1,367,974	2/1921	Ivory	132/73

1 Claim, 2 Drawing Sheets



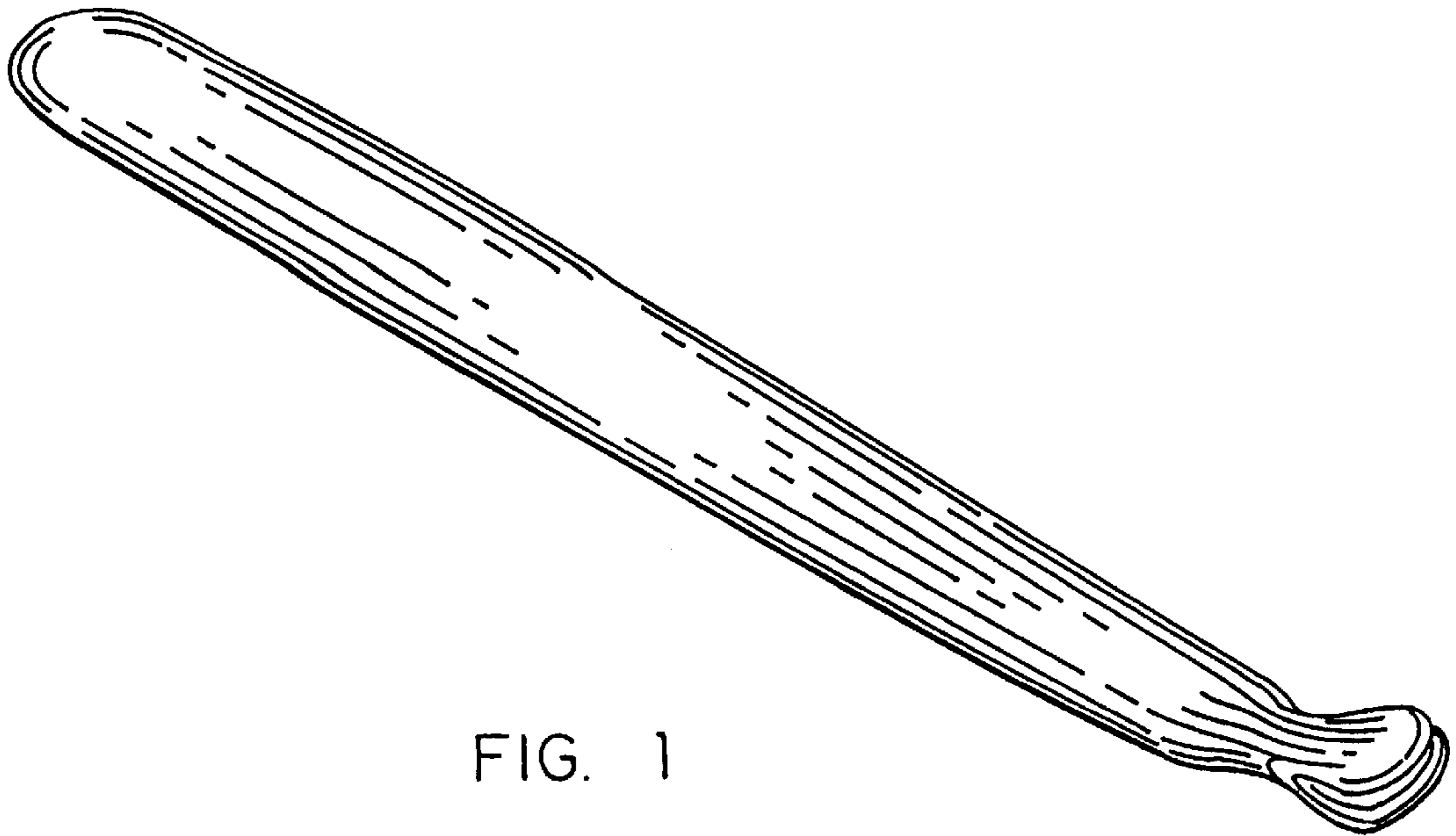


FIG. 1

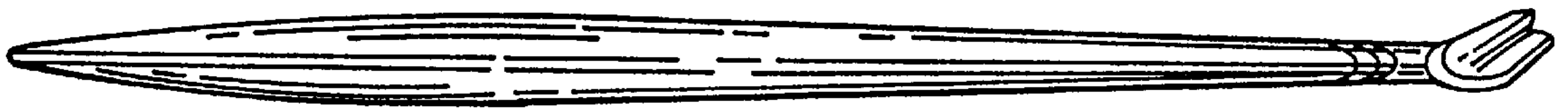


FIG. 2

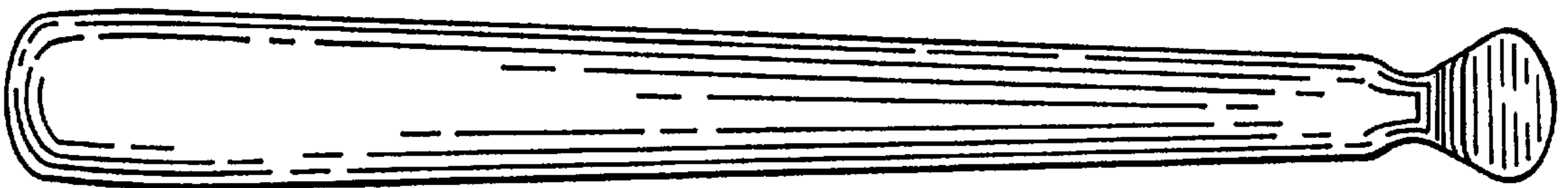


FIG. 3

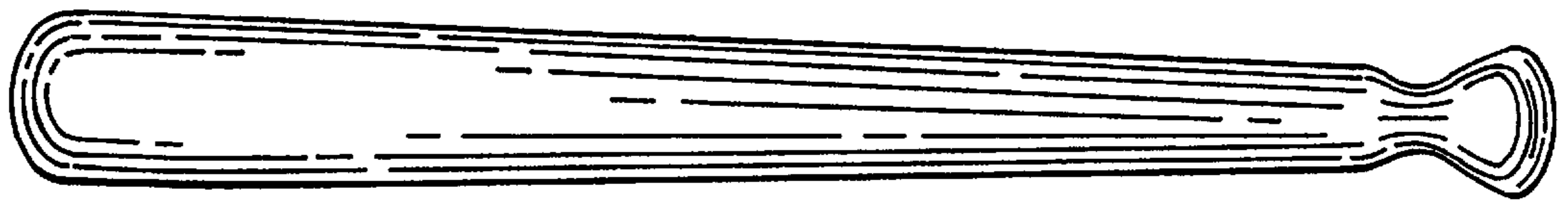


FIG. 4



FIG. 5



FIG. 6

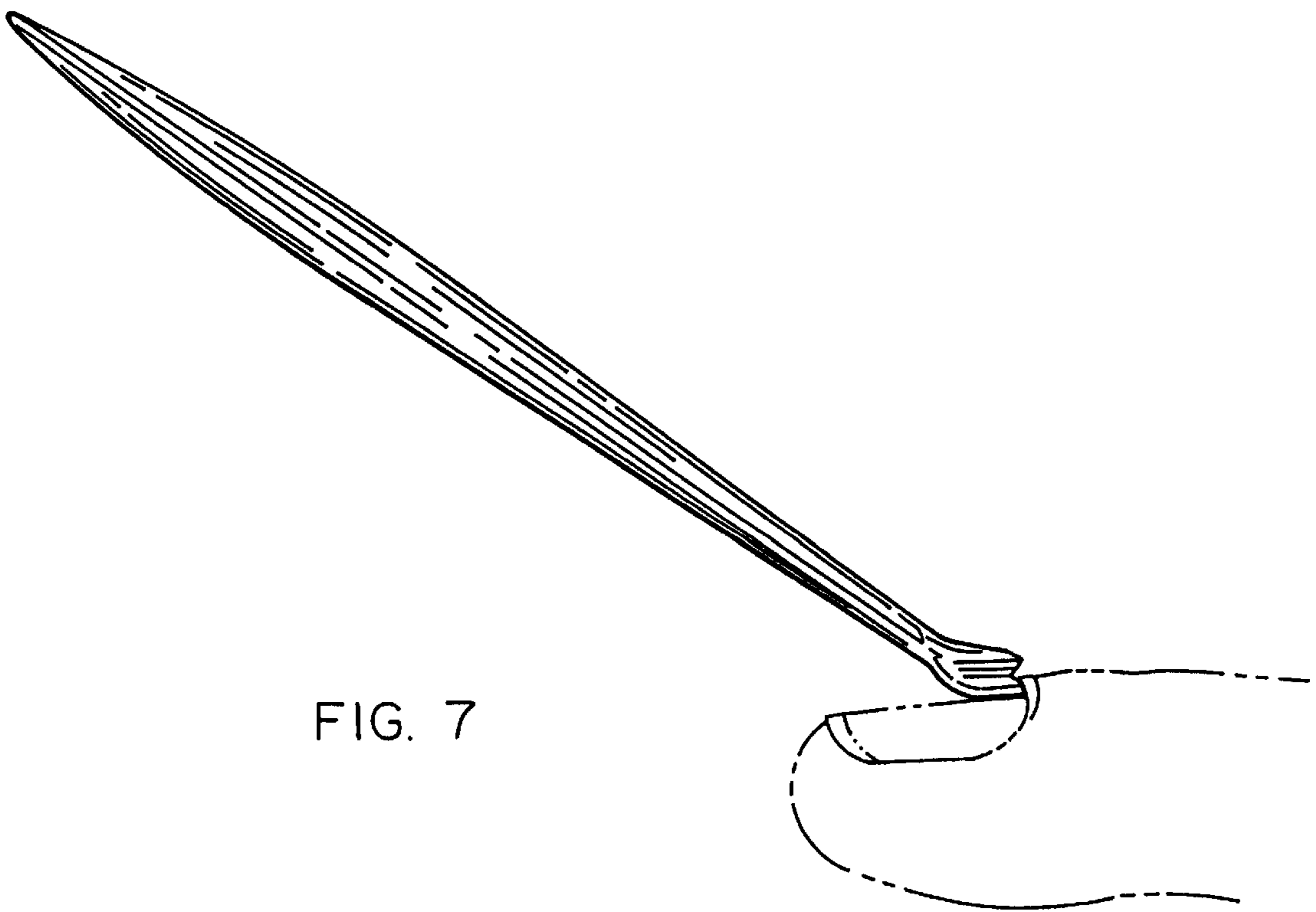


FIG. 7