



US00D415316S

# United States Patent [19] Prochaska

[11] Patent Number: Des. 415,316

[45] Date of Patent: \*\* Oct. 12, 1999

[54] RAZOR HANDLE

### FOREIGN PATENT DOCUMENTS

[75] Inventor: Frank H. Prochaska, Waynesboro, Va.

M 93 00 457 10/1994 Germany ..... 28/3  
DM/027 322 9/1992 WIPO ..... 28/3

[73] Assignee: American Safety Razor Company

Primary Examiner—Ted Shooman

[\*\*] Term: 14 Years

Assistant Examiner—C Tuttle

[21] Appl. No.: 29/058,491

### [57] CLAIM

[22] Filed: Aug. 16, 1996

The ornamental design for a razor handle, as shown and described.

[51] LOC (6) Cl. .... 28-03

### DESCRIPTION

[52] U.S. Cl. .... D28/48

FIG. 1 is a top plan view of the razor handle;  
FIG. 2 is a side view of the razor handle, with the opposing side view being a mirror image of FIG. 2;

[58] Field of Search ..... D28/45, 46, 48;  
30/32, 47-50, 526, 530-533

FIG. 3 is bottom view of the razor handle;  
FIG. 4 is a cross-sectional view of the razor handle taken along line 4-4 of FIG. 2;

### [56] References Cited

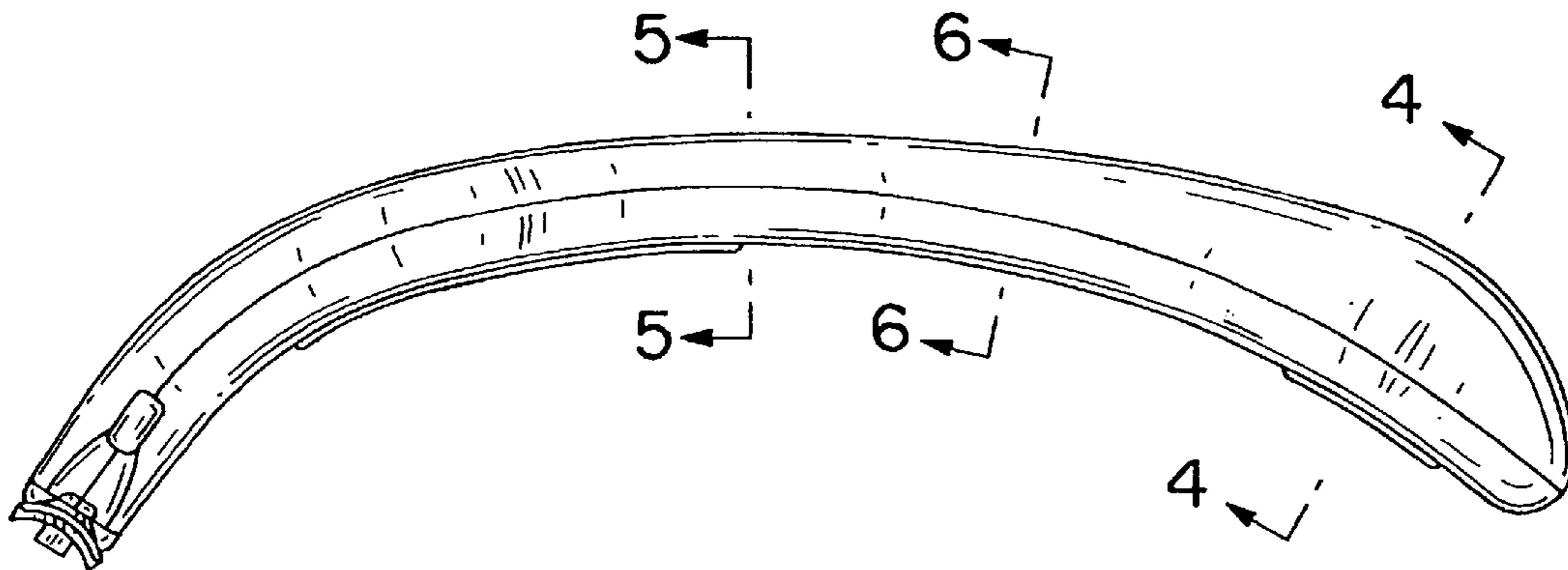
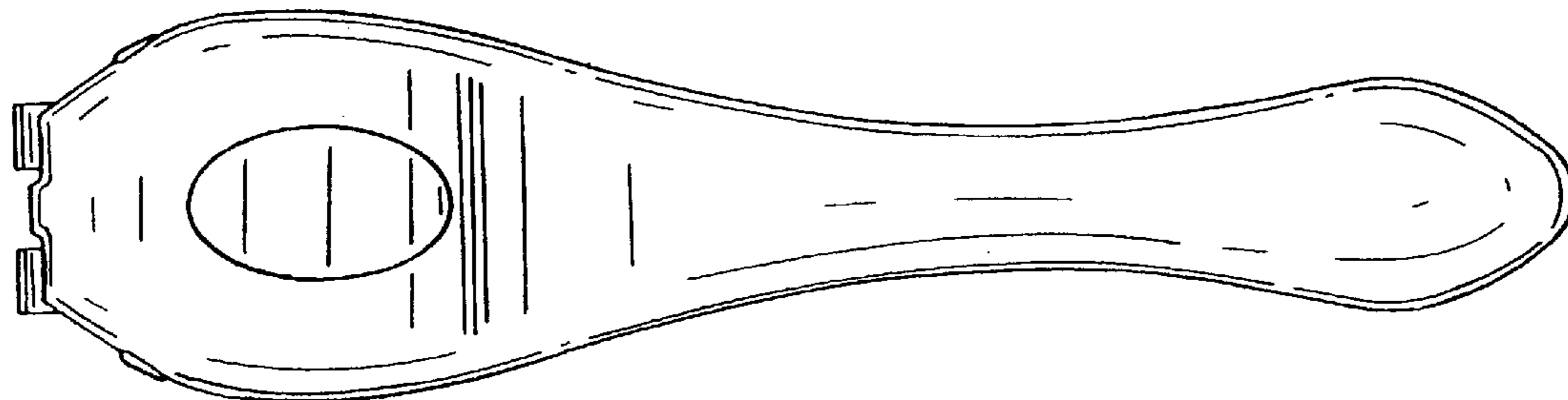
#### U.S. PATENT DOCUMENTS

D. 37,344	9/1905	Shurtleff et al. ....	D28/48
D. 279,613	7/1985	Hanneman .....	D28/48
D. 311,971	11/1990	Faerber .....	D28/46
D. 354,586	1/1995	Grange .....	D28/46
D. 363,142	10/1995	Shurtleff .....	D28/48
D. 365,419	12/1995	Kamiya .....	D28/48
5,031,319	7/1991	Althaus et al. ....	30/526

FIG. 5 is a cross-sectional view of the razor handle taken along line 5-5 of FIG. 2; and,  
FIG. 6 is a cross-sectional view of the razor handle taken along line 6-6 of FIG. 2.

The undisclosed surfaces of the structures at the front of the razor follow the contours of the surfaces shown.

1 Claim, 2 Drawing Sheets



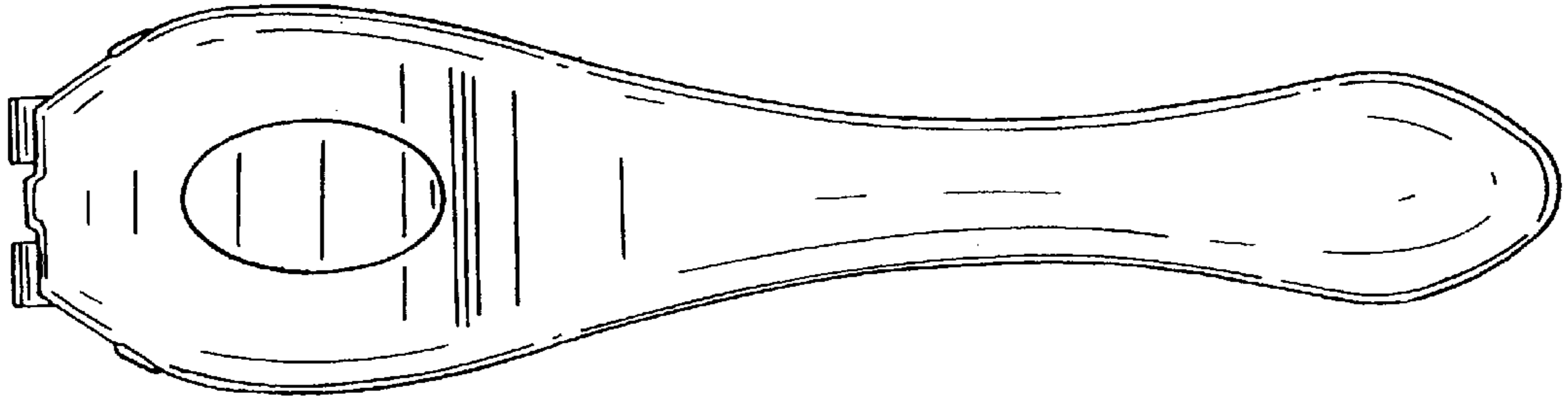


FIG. 1

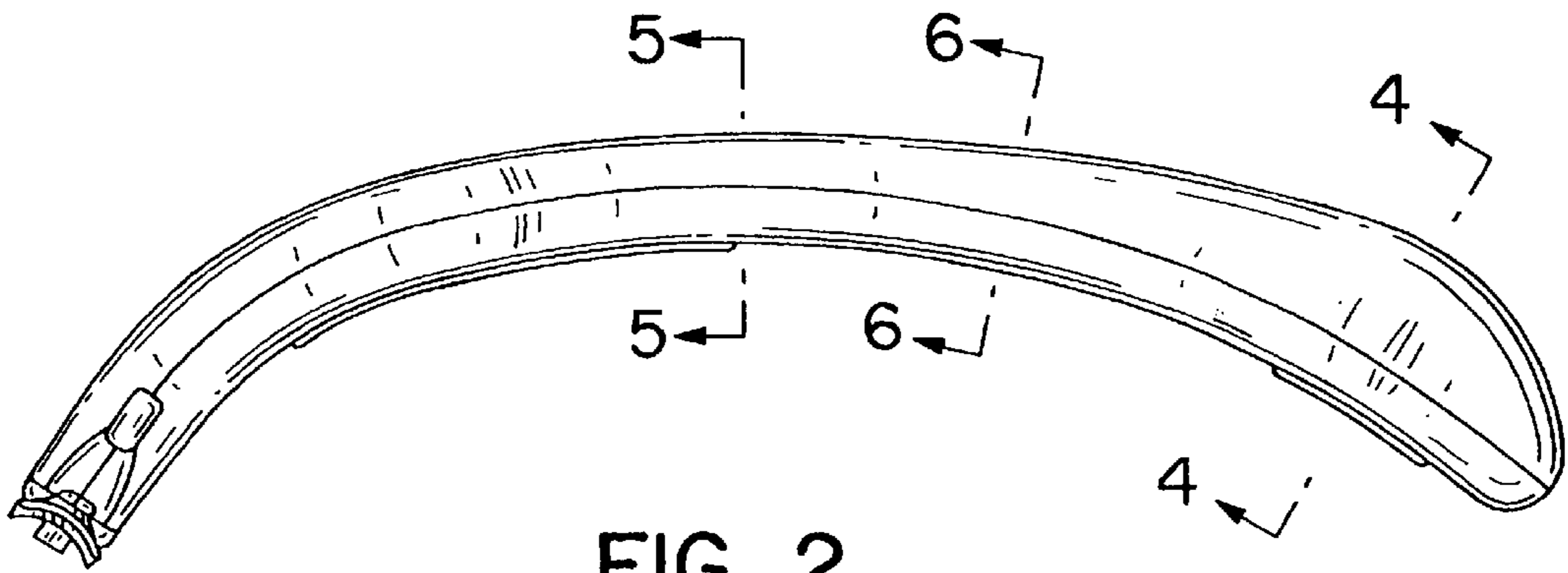


FIG. 2

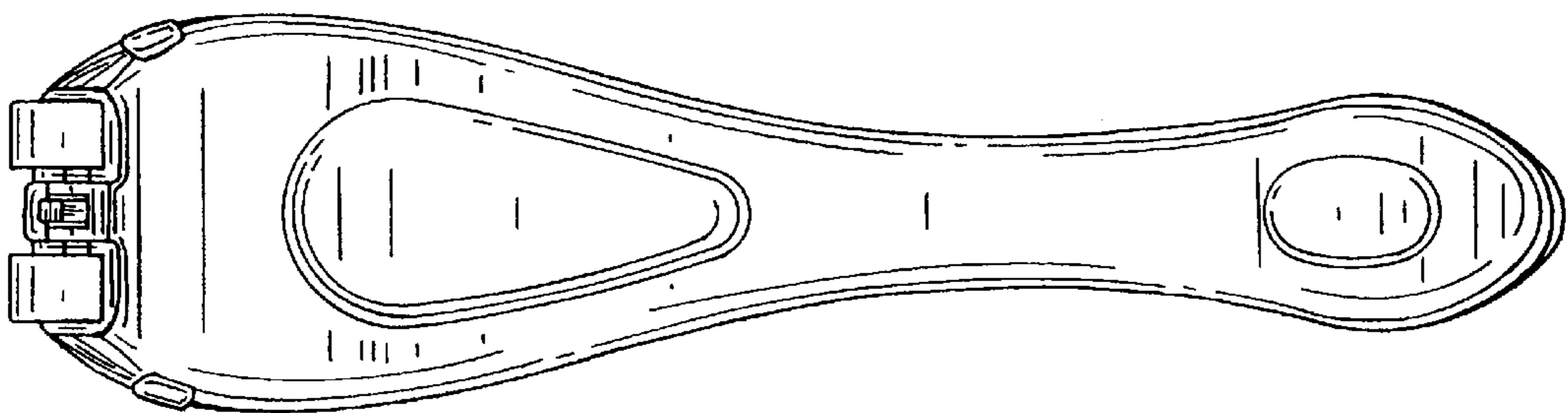


FIG. 3

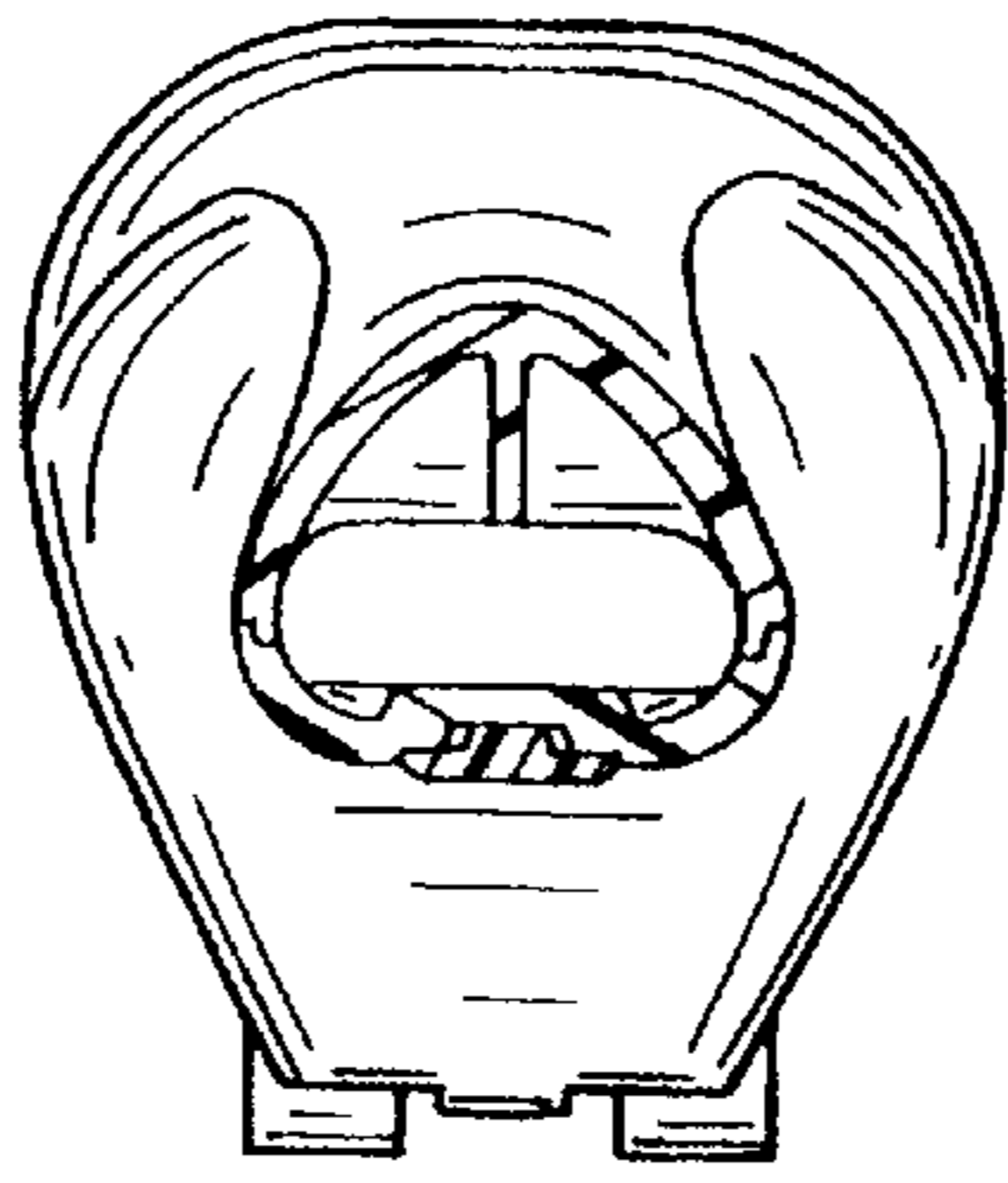


FIG. 4

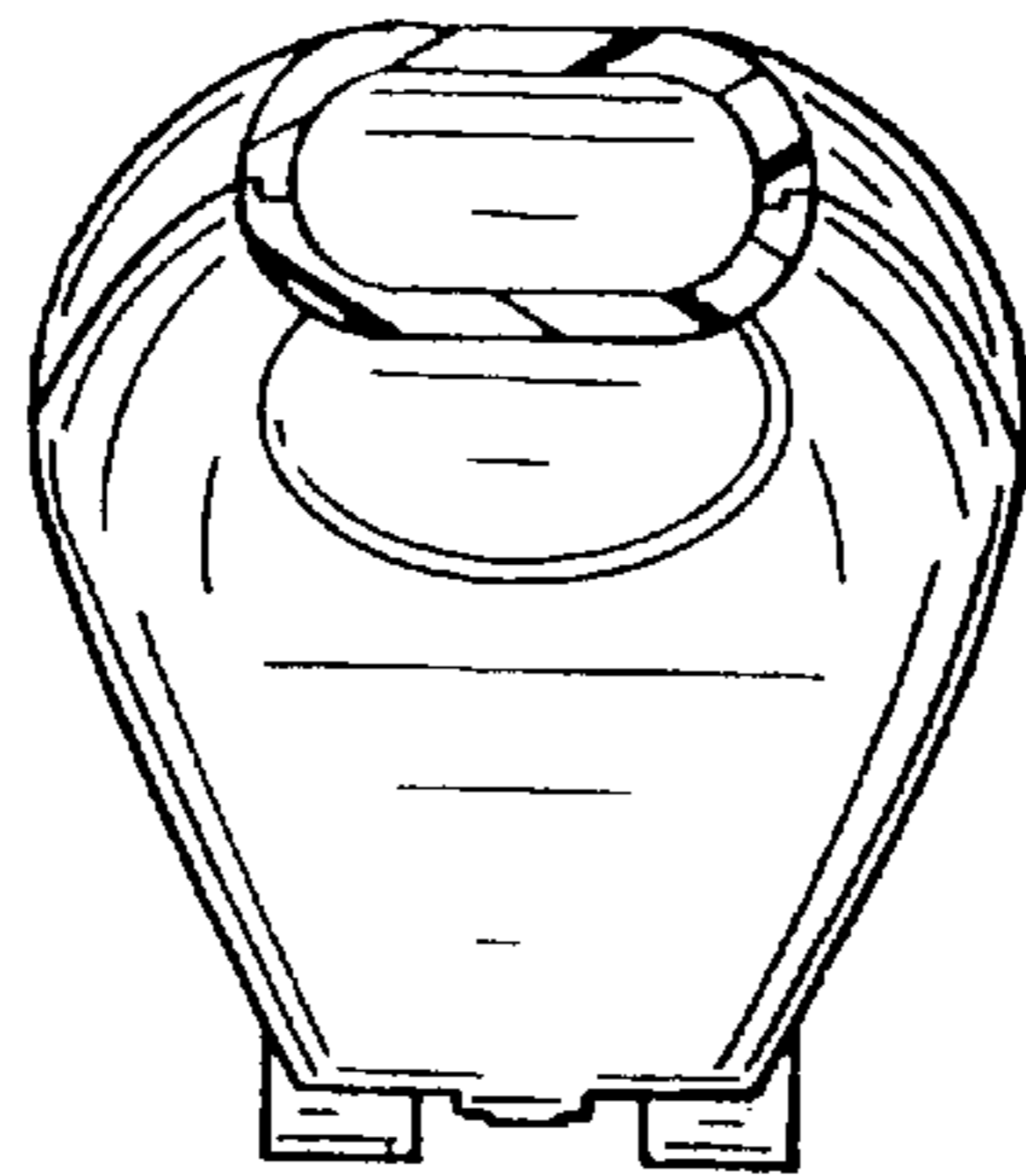


FIG. 5

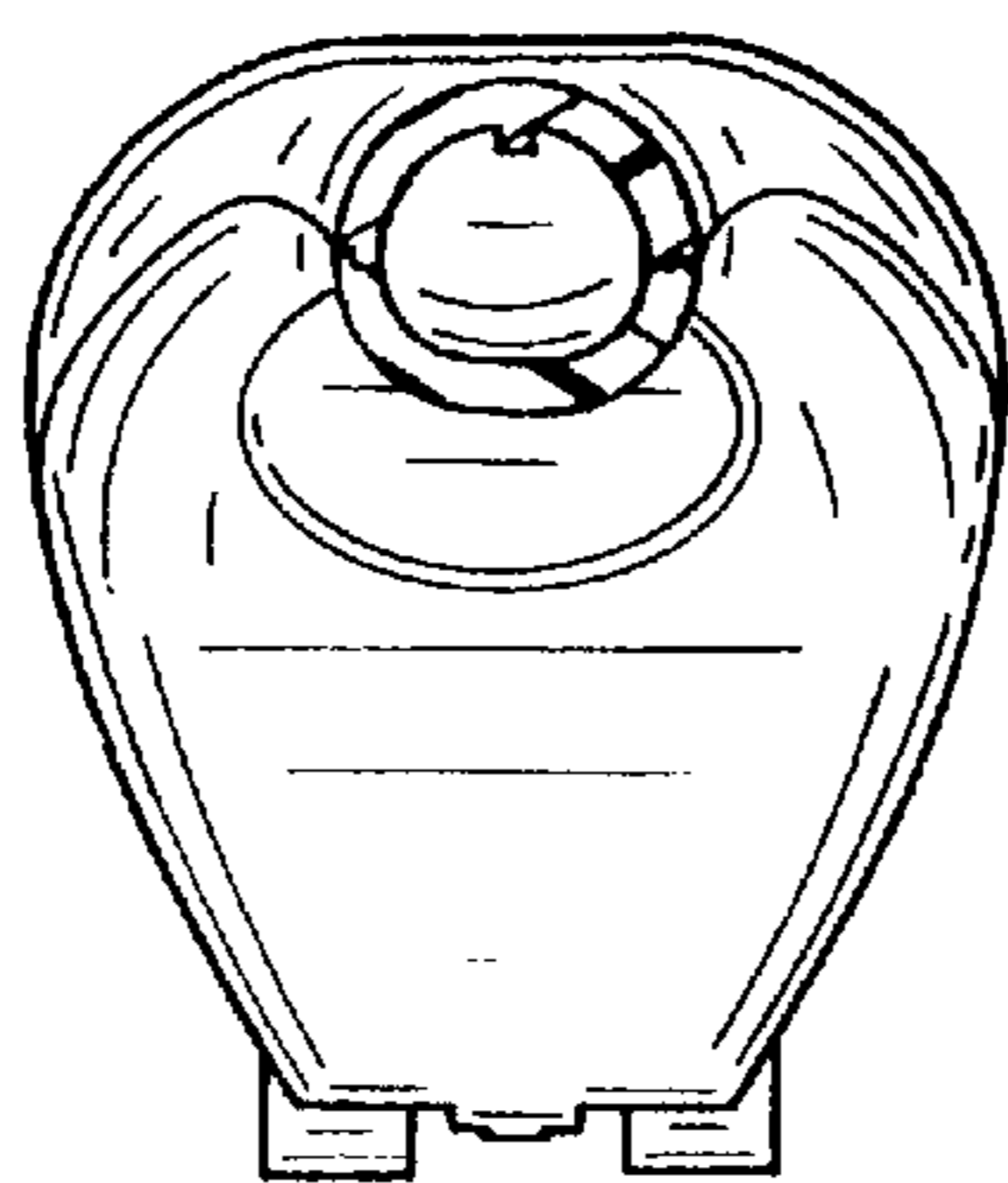


FIG. 6