



US00D415315S

United States Patent [19]

Swanson et al.

[11] Patent Number: **Des. 415,315**

[45] Date of Patent: **** Oct. 12, 1999**

[54] RAZOR CARTRIDGE

[75] Inventors: **Gerald Ted Swanson**, Kingston;
Angela Hyatt Hockman, Jamaica
Plain, both of Mass.

[73] Assignee: **The Gillette Company**, Boston, Mass.

[**] Term: **14 Years**

[21] Appl. No.: **29/087,026**

[22] Filed: **Apr. 24, 1998**

[51] **LOC (6) Cl.** **28-03**

[52] **U.S. Cl.** **D28/47**

[58] **Field of Search** D28/44-47; 30/32,
30/34.05, 34.2, 41, 47-51, 346.5

[56] References Cited

U.S. PATENT DOCUMENTS

330,418	11/1885	Partridge et al. .	
D. 343,254	1/1994	Miller et al.	D28/47
D. 373,218	8/1996	Shurtleff et al.	D28/47
2,183,554	12/1939	Evans	30/84
3,477,127	11/1969	Regan	30/41
3,673,684	7/1972	Muntz	30/34.2
3,675,323	7/1972	Braginetz	30/32
4,483,068	11/1984	Clifford	30/49
4,964,214	10/1990	Welsh et al.	30/49
4,984,365	1/1991	Leonard et al.	30/34.05
5,018,274	5/1991	Trotta	30/50
5,088,195	2/1992	Lazarshik et al.	30/49
5,092,042	3/1992	Miller et al.	30/77
5,153,992	10/1992	Brown et al.	30/49
5,526,567	6/1996	Carson, III et al.	30/50
5,604,983	2/1997	Simms et al.	30/49
5,784,790	7/1998	Carson, III et al.	30/532

FOREIGN PATENT DOCUMENTS

0289 228	11/1988	European Pat. Off.	B26B 21/06
2083398	3/1982	United Kingdom	30/82
2059944	11/1997	United Kingdom .	
WO 96/02369	2/1996	WIPO	B26B 21/14
WO 97/17174	5/1997	WIPO	B26B 21/00
WO 97/37819	10/1997	WIPO	B26B 21/22

Primary Examiner—Ted Shooman
Assistant Examiner—C Tuttle
Attorney, Agent, or Firm—Donal B. Tobin; Edward S. Podszus; Aubrey C. Brine

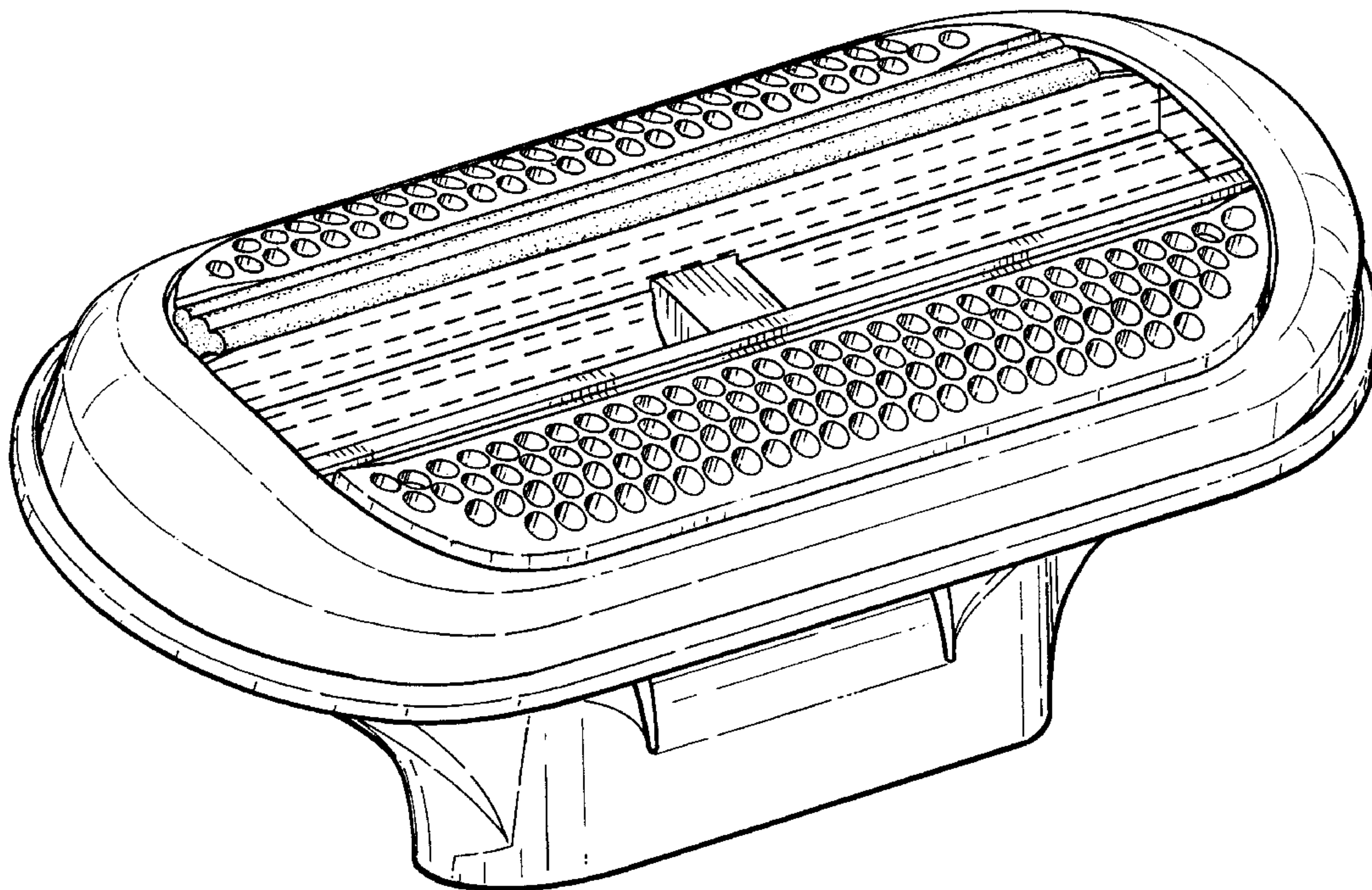
[57] CLAIM

The ornamental design for a razor cartridge, as shown and described.

DESCRIPTION

FIG. 1 is a top perspective view of a razor cartridge showing our new design;
FIG. 2 is a top plan view thereof;
FIG. 3 is a front elevational view thereof;
FIG. 4 is a rear elevational view thereof;
FIG. 5 is a bottom plan view thereof; and,
FIG. 6 is a right side elevational view thereof, the left side being a mirror image of the right side.
The broken lines showing the blades and underlying structure are for illustrative purposes only and do not constitute a part of the claimed design.
The appearance of the unshaded areas inside the solid line boundaries under the blades in FIG. 1, and inside the four oblong outlines in FIG. 5 forms no part of the claimed design.

1 Claim, 6 Drawing Sheets



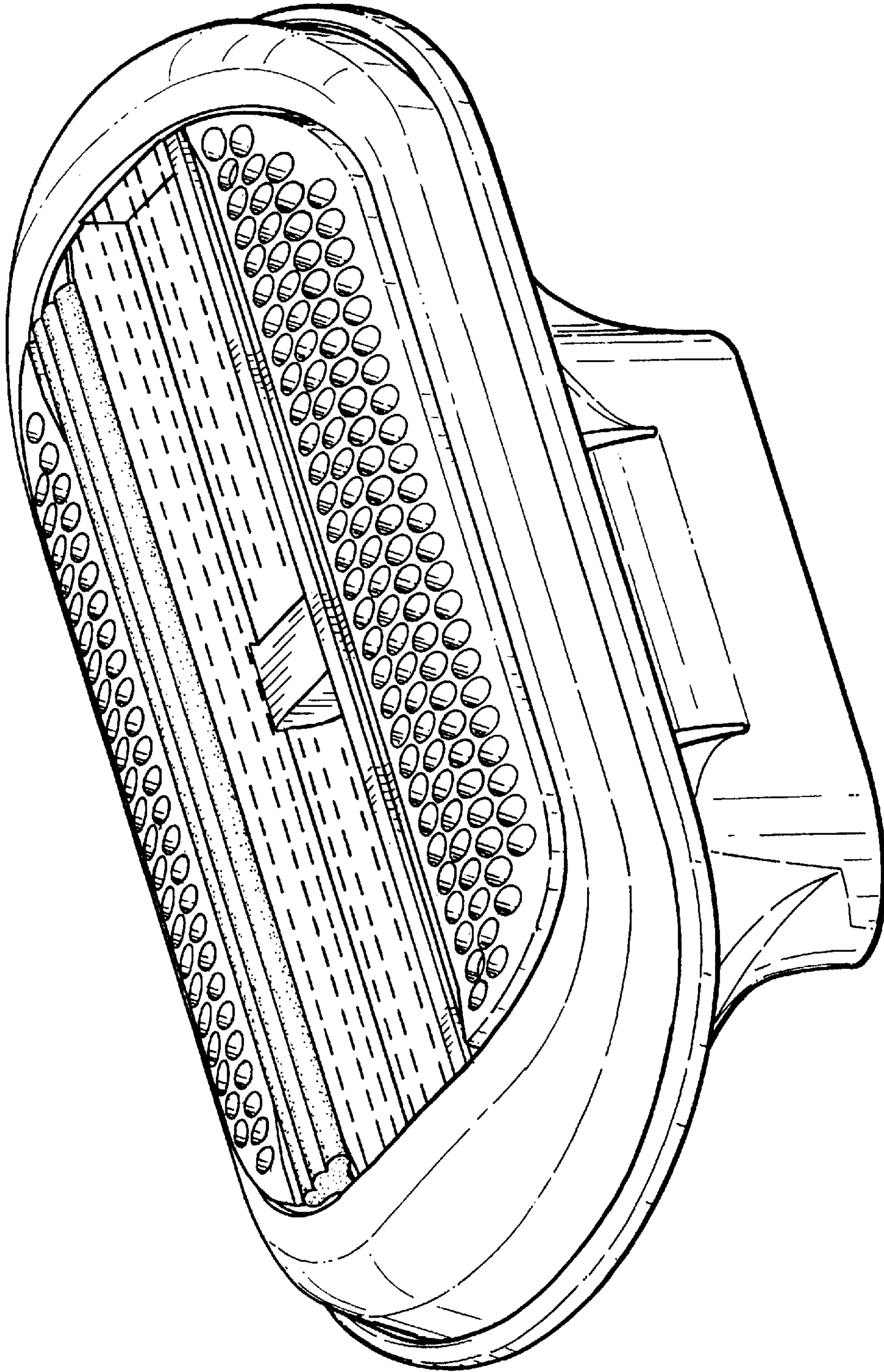


FIG. 1

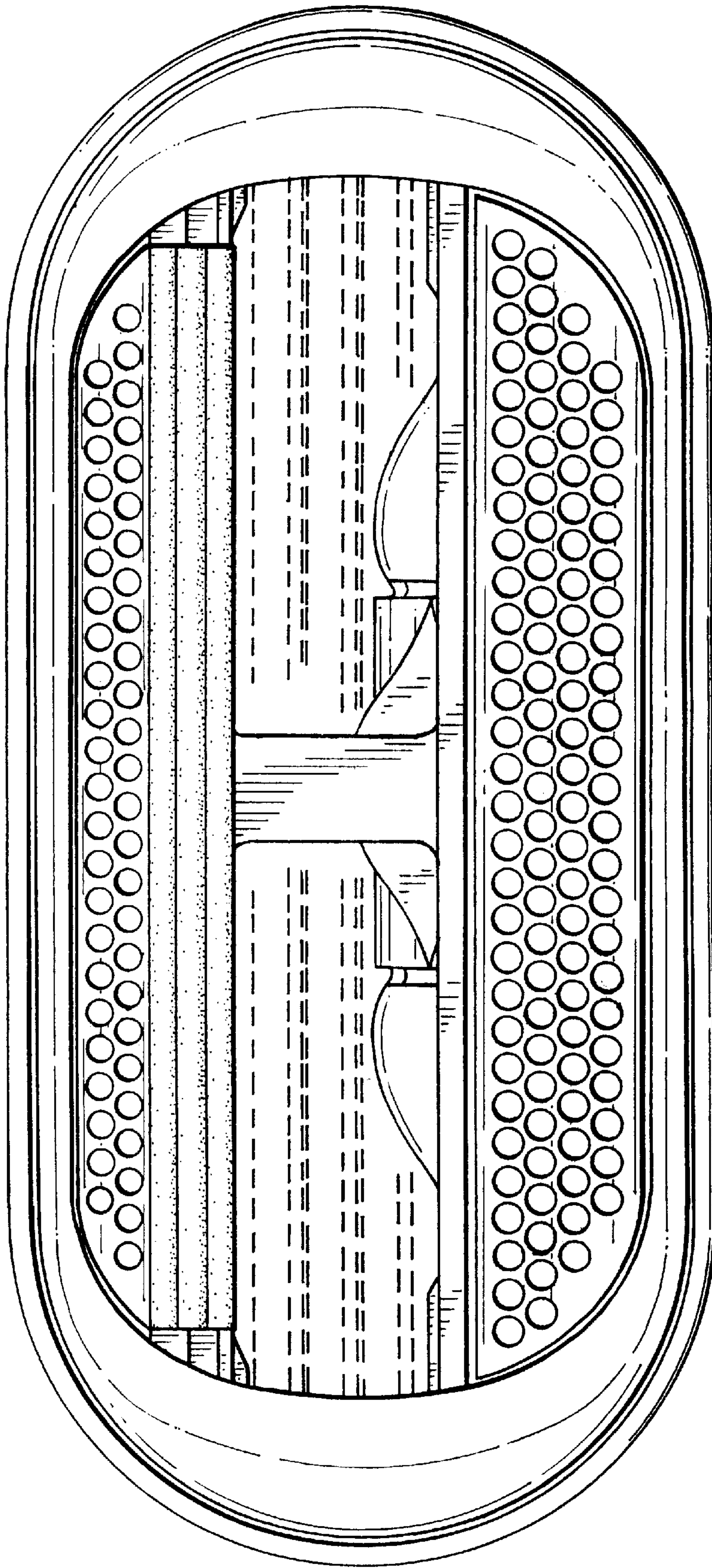


FIG. 2

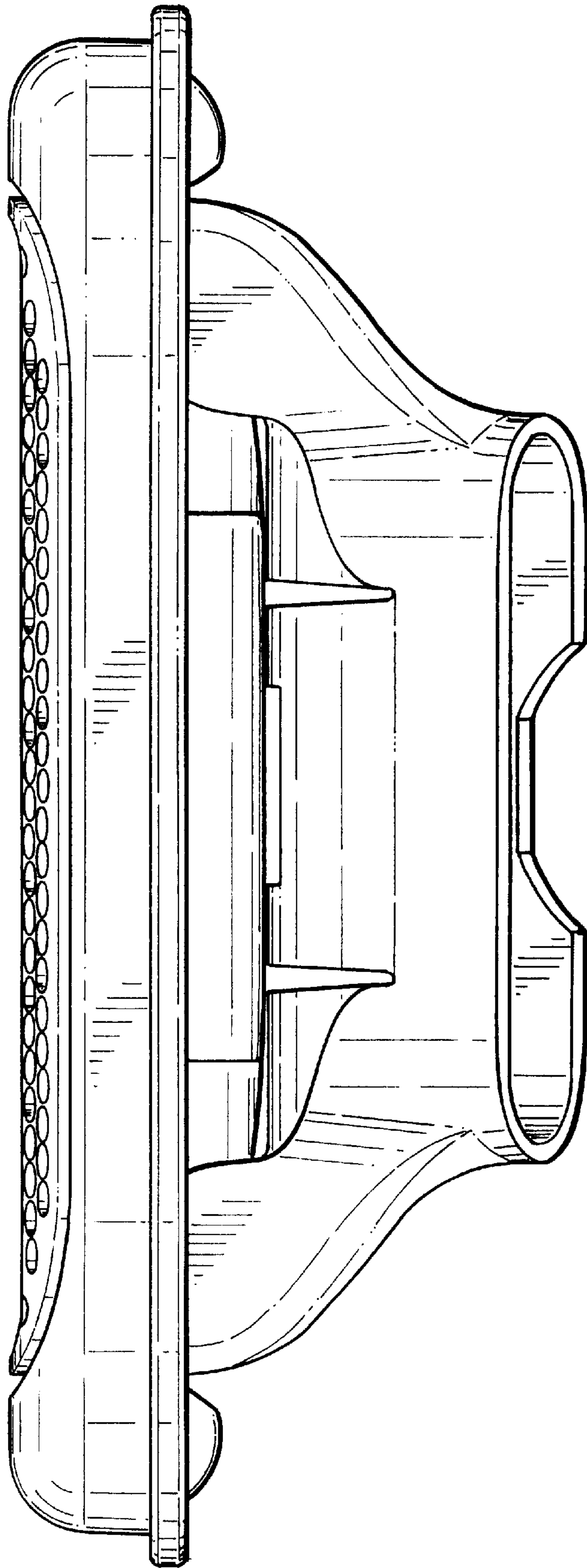


FIG. 3

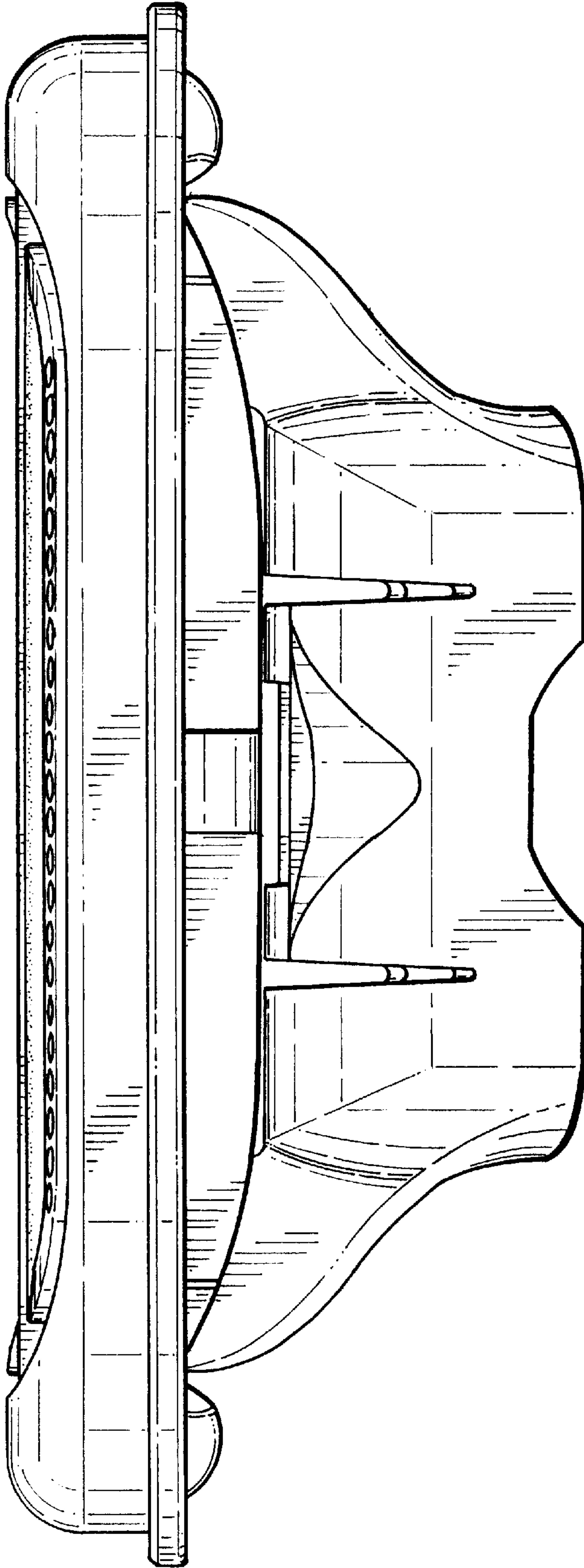


FIG. 4

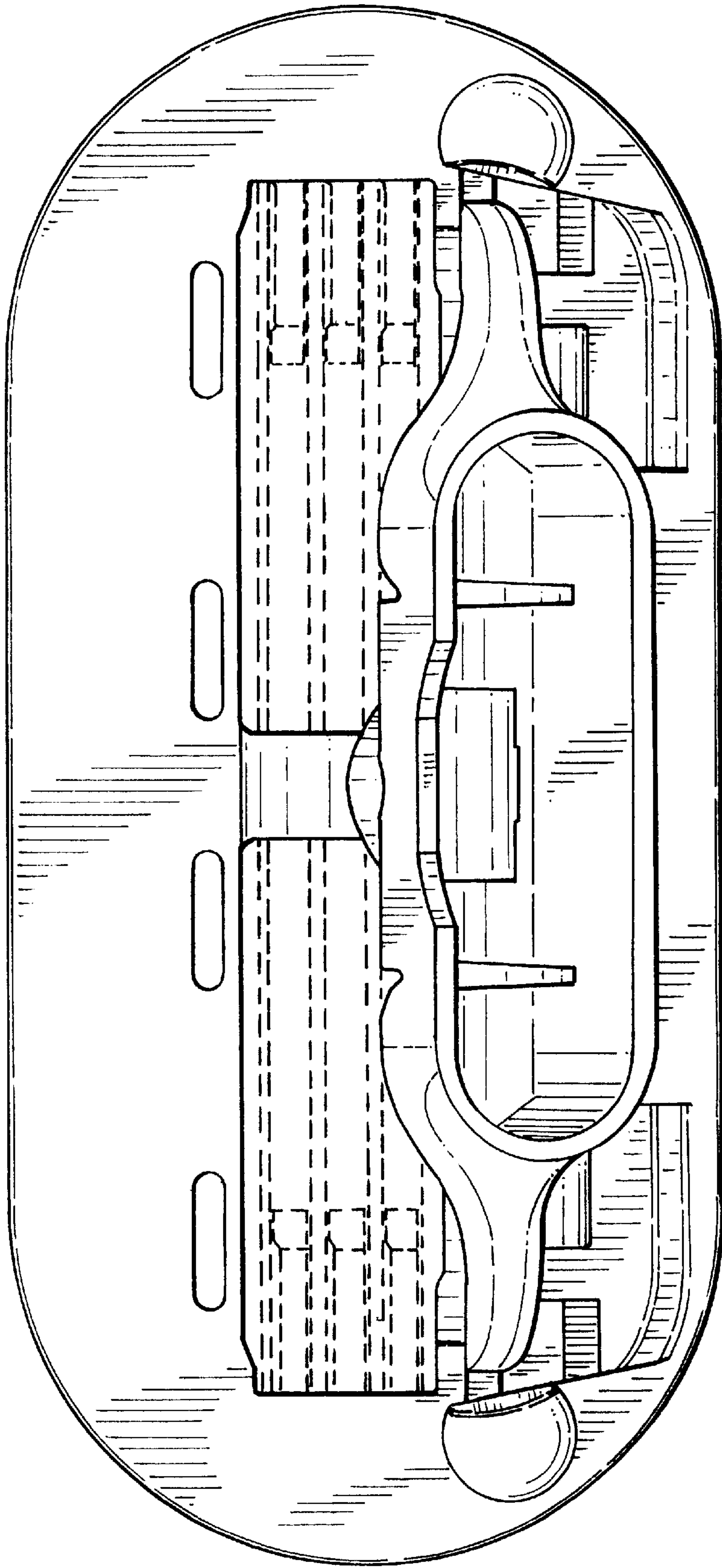


FIG. 5

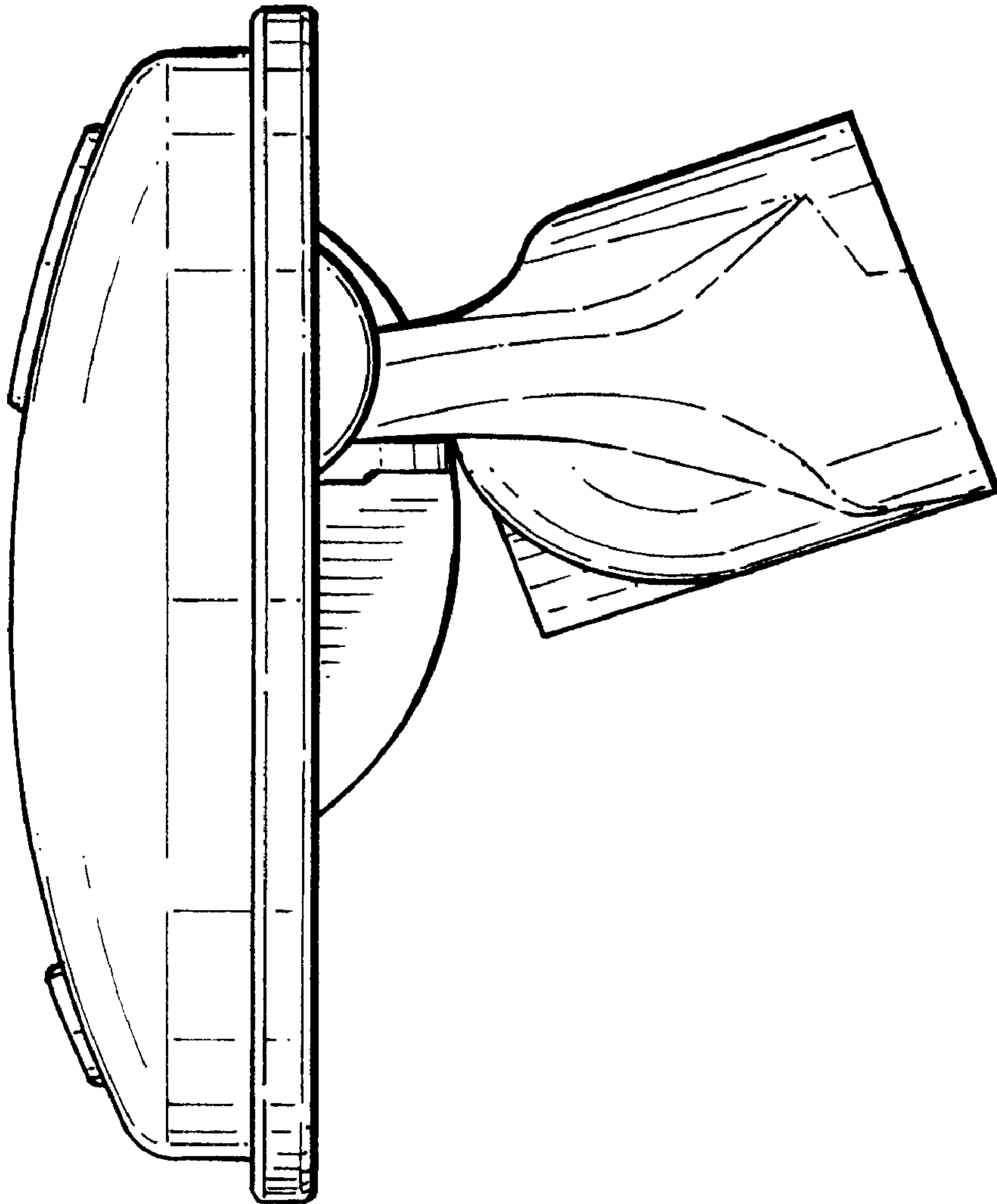


FIG. 6