



US00D415307S

United States Patent [19]

[11] **Patent Number: Des. 415,307**

Dolan

[45] **Date of Patent: ** Oct. 12, 1999**

[54] **TABLE LAMP**

[76] Inventor: **Patrick S. Dolan**, 1901 NW. Upshur, Portland, Oreg. 97209

[**] Term: **14 Years**

[21] Appl. No.: **29/079,902**

[22] Filed: **Nov. 18, 1997**

[51] **LOC (6) Cl. 26-05**

[52] **U.S. Cl. D26/111; D26/142**

[58] **Field of Search D26/93, 102-112, D26/142, 153; 362/410-414**

[56] **References Cited**

U.S. PATENT DOCUMENTS

- D. 380,578 7/1997 Visage et al. D26/111
- D. 385,649 10/1997 Yeh D26/112

OTHER PUBLICATIONS

- Home Lighting and Accessories, p.54, Sun Lighting table lamp, Apr. 1996.
- Home Lighting and Accessories, p. 72, National Ceramics stone lamp, Apr. 1996.
- Murray Feiss 125 Rose Feiss Blvd Bronx, NY 10454 Cat. vol. LP-1-96 1996 Model No. 8552 p. LP-2.
- Casual Lamps 15000 S. Broadway Gardena, CA 90248 Catalog 1995 p. 55 Model 4064-916.
- Casual Lamps 15000 S. Broadway Gardena, CA 90248 Catalog 1995 p. 4 Model 4209-957.
- Casual Lamps 15000 S. Broadway Gardena, CA 90248 Catalog 1994 p. 2 Model 3926-838.
- The Natural Light 1020 Arthur Dr Lynn Haven, FL 32444 1997 Catalog p. D43 Model 538 San Paulo.

- The Natural Light 1020 Arthur Dr Lynn Haven, FL 32444 1997 Catalog p. D56 Model 7085 Porta Vel Del Mar.
- Minoff Lamps 7711 E. Pleasant Valley Rd Cleveland, OH 44131 Cat. No. 1094 1994 p. 8, Model 50-302.
- Crystal Clear 2 Bergen Turnpike Ridgefield, NJ 07660 8" Vase Holder As Seen In "The Source" Magazine p. 17 Jun. 1996 Dallas Market Show Guide.
- Creswell Lighting One Early St Elderwood, PA 16117 As Seen In Residential Ltg Mag. Nov. 1997, p. 36.
- Candella Lighting Co. 4863 Exposition Bl L.A., CA 90016 Catalog 1992 Model 206-Porto.
- Frederick Cooper 2545 W. Diversity Ave Chicago, IL 60647 Catlog 1996 p. VI-10 Model 9927.
- San Miguel Pomeroy Collection Houston, TX 77041 As Seen On Box Of Item Purchased At Costco Stores in Portland, OR.
- Fine Arts Lamps 7215 W. 20th Ave Hialeah, FL 33014 Catalog 1994 pp. 0-13 Model 491110.
- Fine Art Lamps 7215 W. 20th Ave Hialeah, FL 33014 Catalog 1994 pp. 0-32 Model 510510.

Primary Examiner—Susan J. Lucas

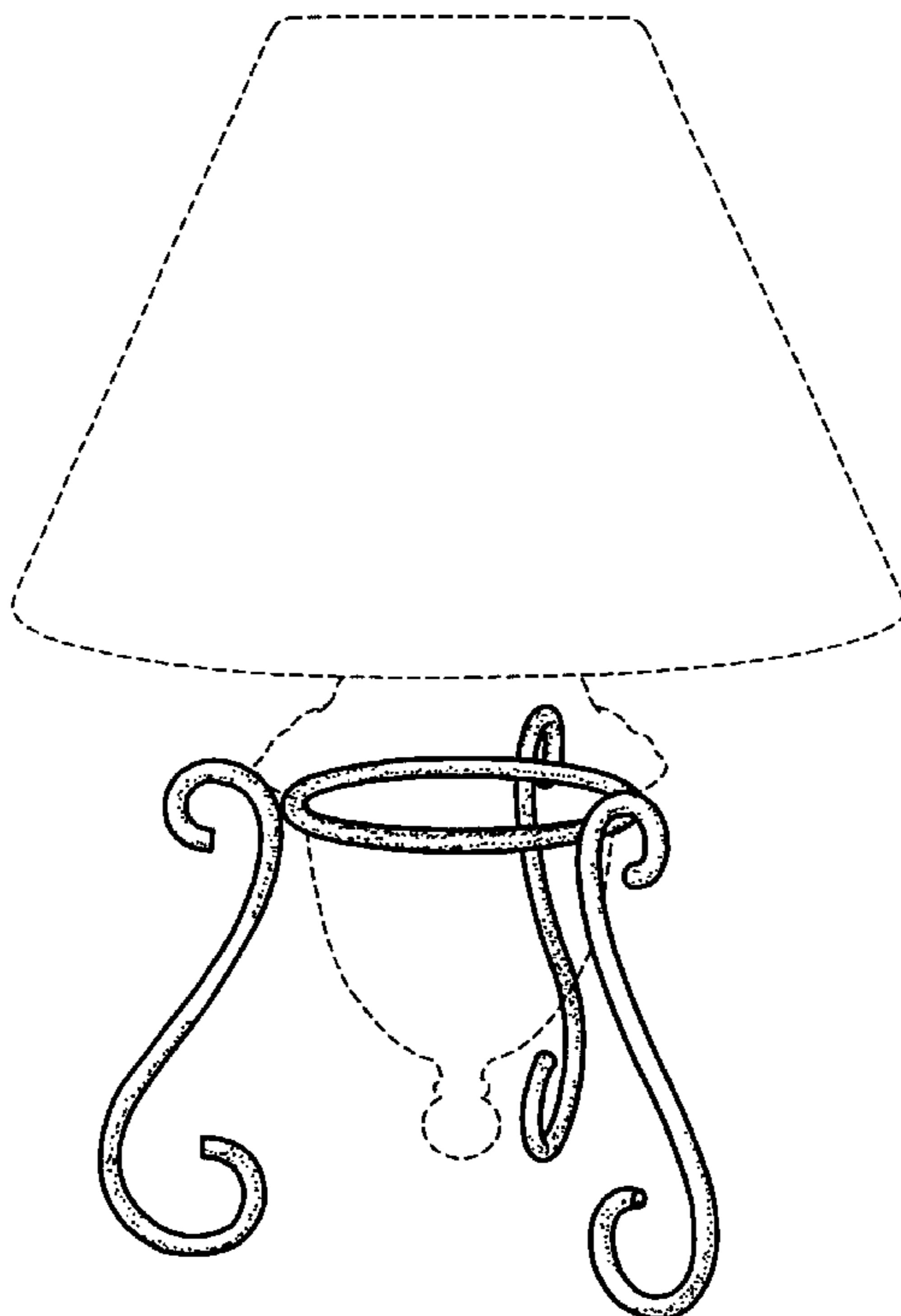
[57] **CLAIM**

The ornamental design for a table lamp, as shown and described.

DESCRIPTION

FIG. 1 is a perspective view thereof;
 FIG. 2 is a front elevation view thereof;
 FIG. 3 is a right side view, the left side being a mirror image;
 FIG. 4 is a top plan view thereof; and,
 FIG. 5 is a bottom plan view thereof.
 The broken lines are shown for illustrative purposes only and form no part of claimed design.

1 Claim, 5 Drawing Sheets



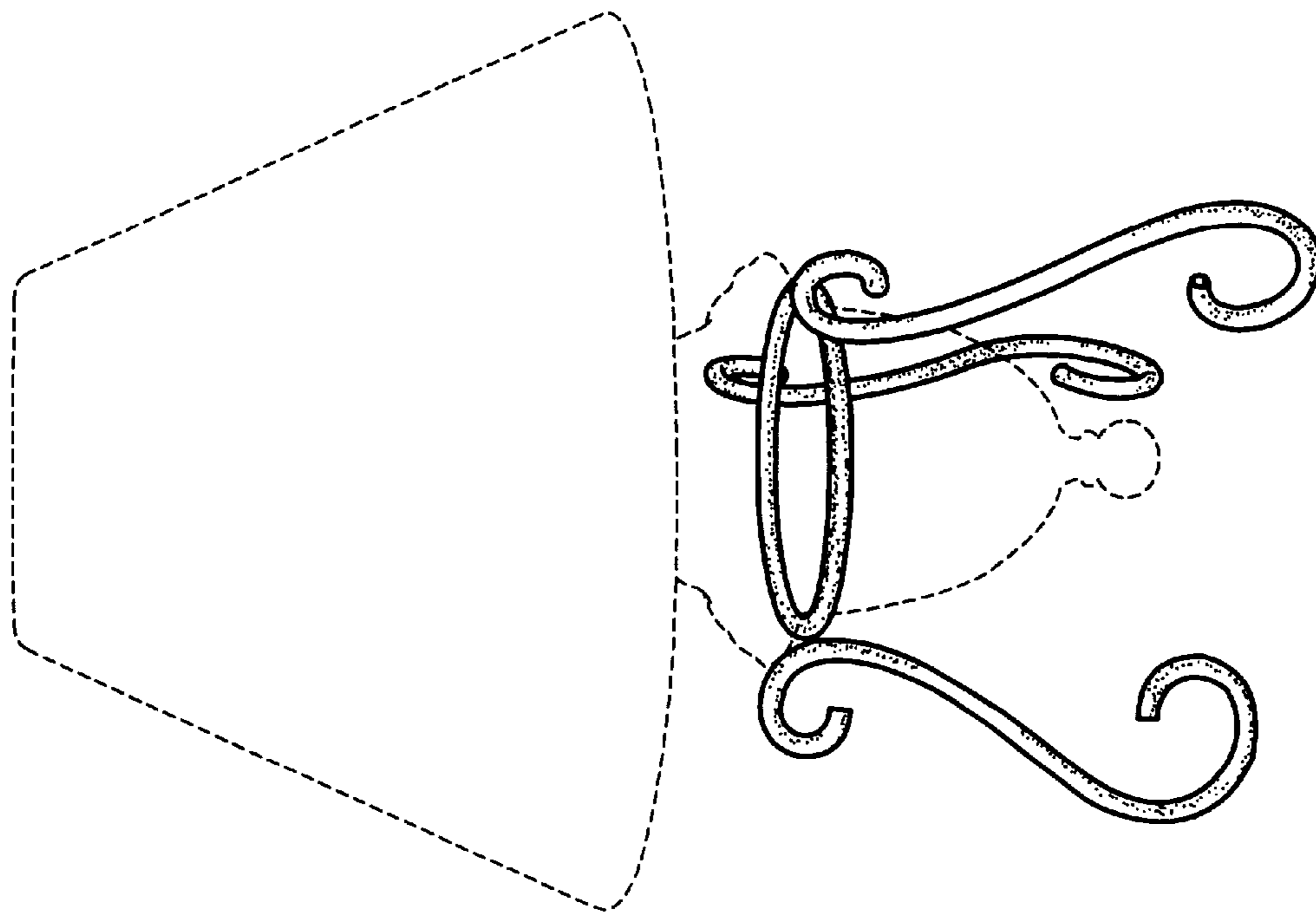


Fig. 1

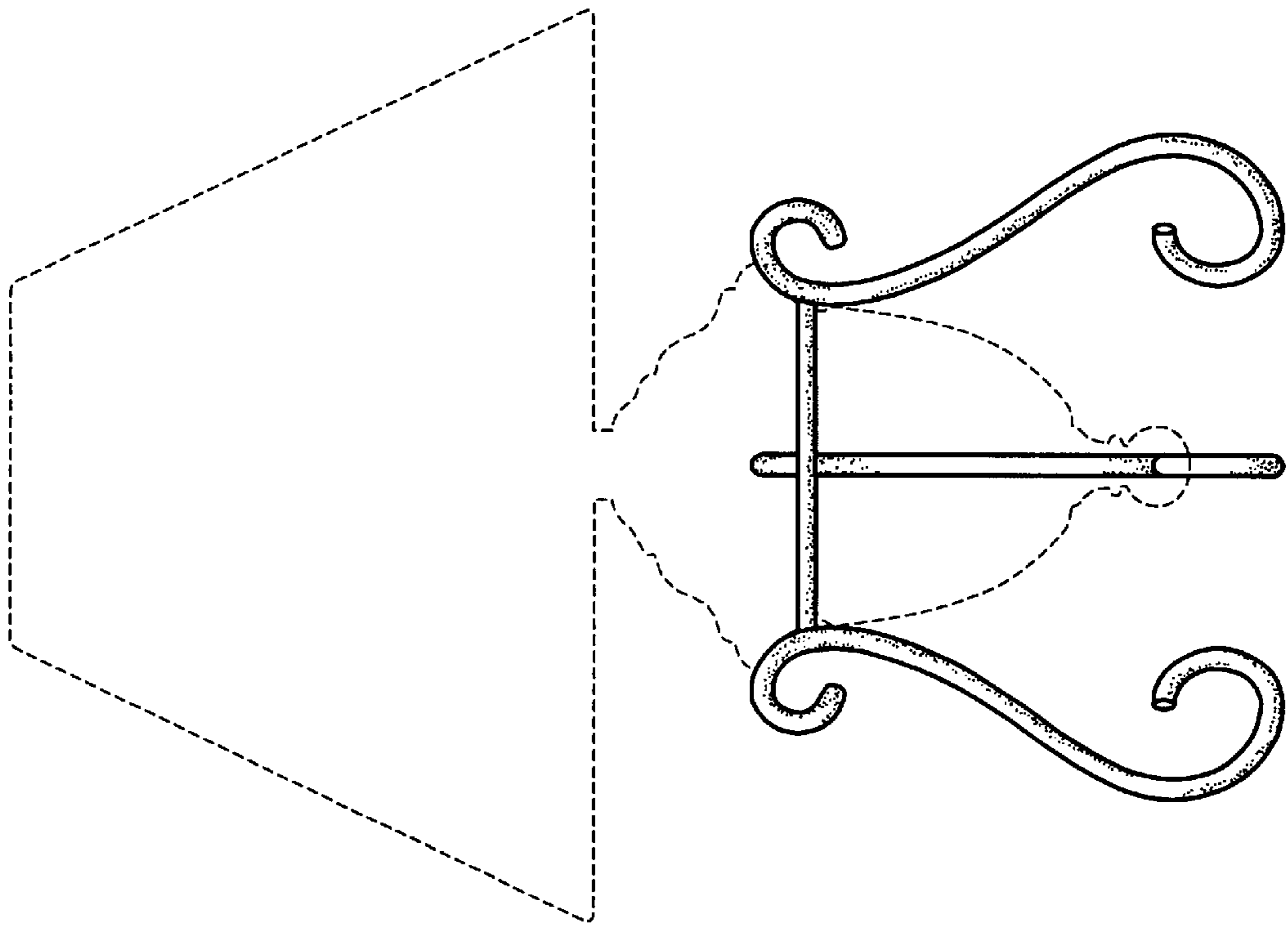


Fig. 2

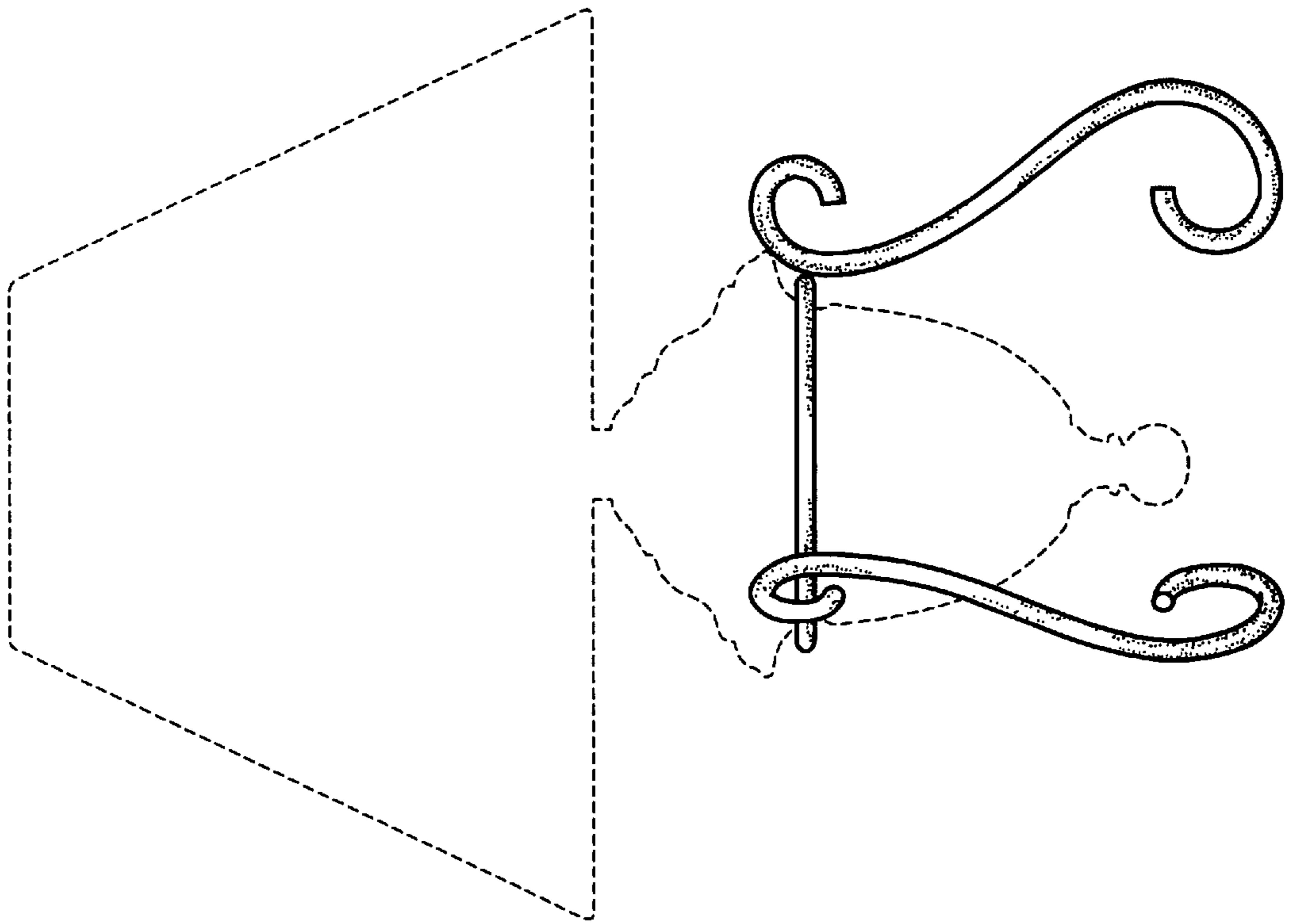


Fig. 3

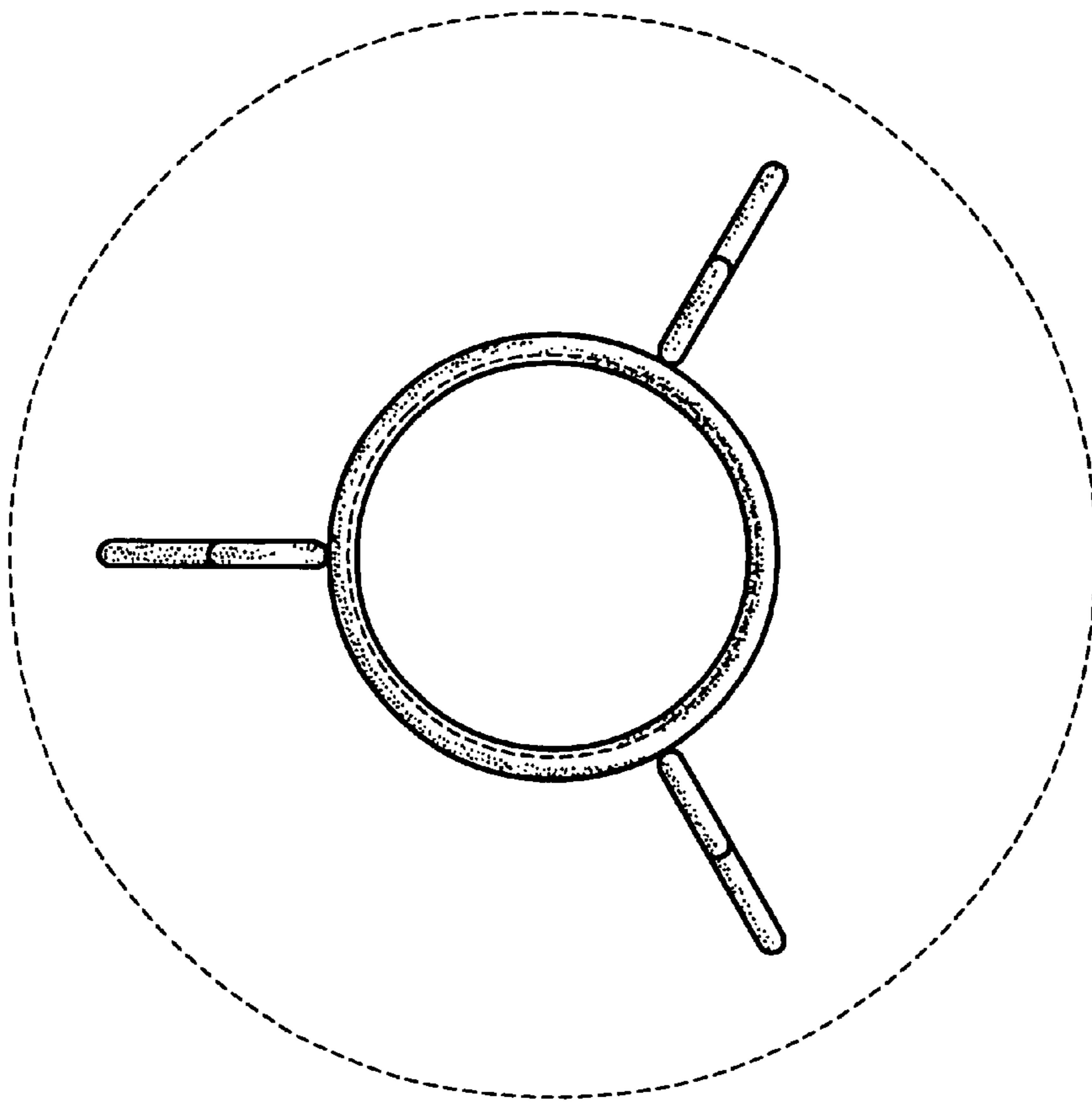


Fig. 4

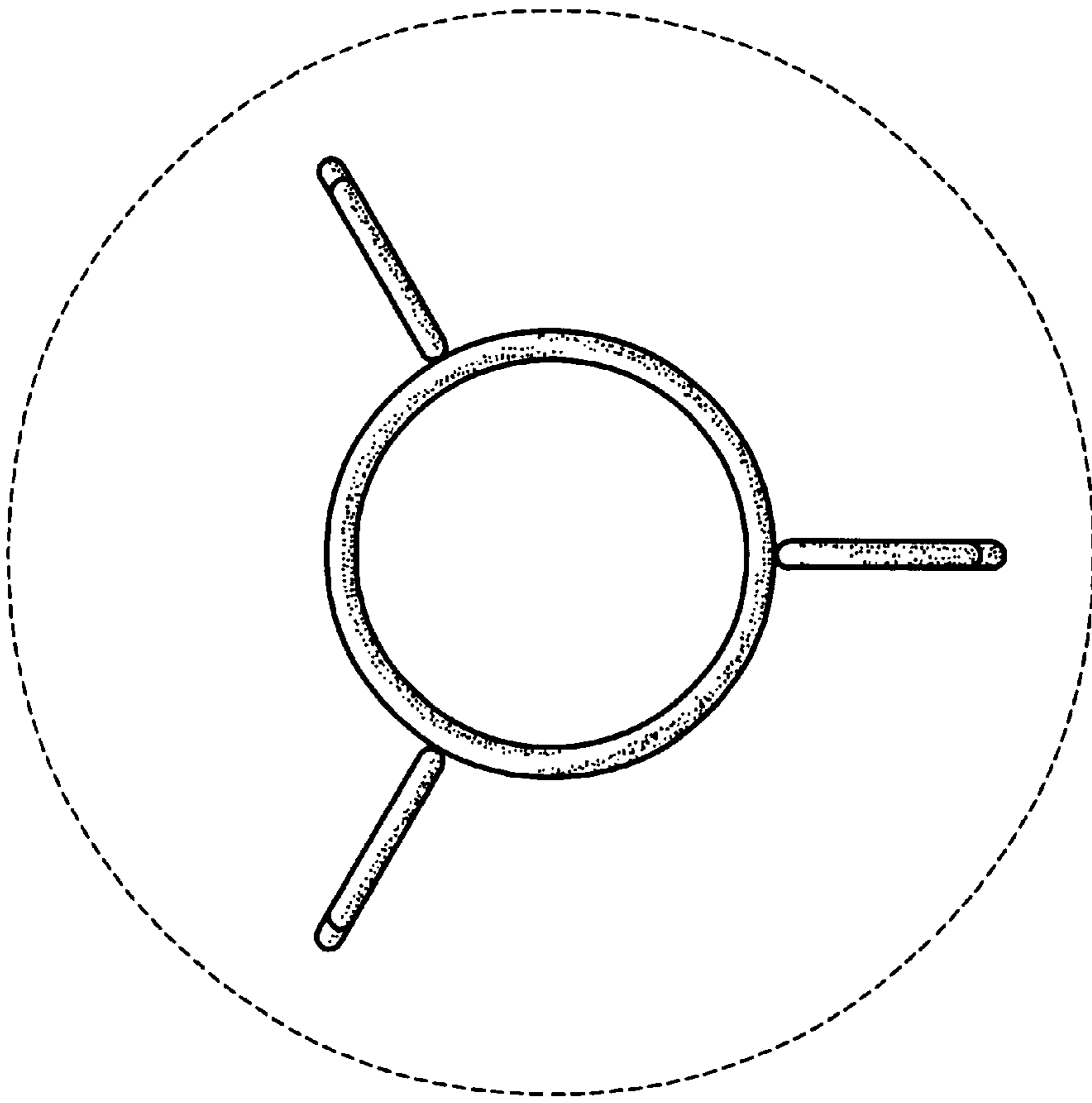


Fig. 5