



US00D415297S

United States Patent [19] Chung

[11] **Patent Number: Des. 415,297**

[45] **Date of Patent: ** Oct. 12, 1999**

[54] **CAR LAMP**

[76] Inventor: **Lee Hsin-Chih Chung**, No. 21-8,
Shang San Cho Woo, Wuchang-Li,
Chungli City, Tao, Taiwan

[**] Term: **14 Years**

[21] Appl. No.: **29/100,915**

[22] Filed: **Feb. 22, 1999**

[51] **LOC (6) Cl.** **26-06**

[52] **U.S. Cl.** **D26/28**

[58] **Field of Search** D26/28-36; 362/80,
362/81, 82, 83, 326, 329-340, 418, 419

[56] **References Cited**

U.S. PATENT DOCUMENTS

- D. 364,240 11/1995 Huang D26/28
- D. 378,942 4/1997 Ueda D26/28
- D. 382,356 8/1997 Okuda et al. D26/28

- D. 393,086 5/1998 Nagano D26/28
- D. 408,565 4/1999 Hanlon et al. D26/28
- D. 409,775 5/1999 Zin D26/28

Primary Examiner—Marcus A. Jackson

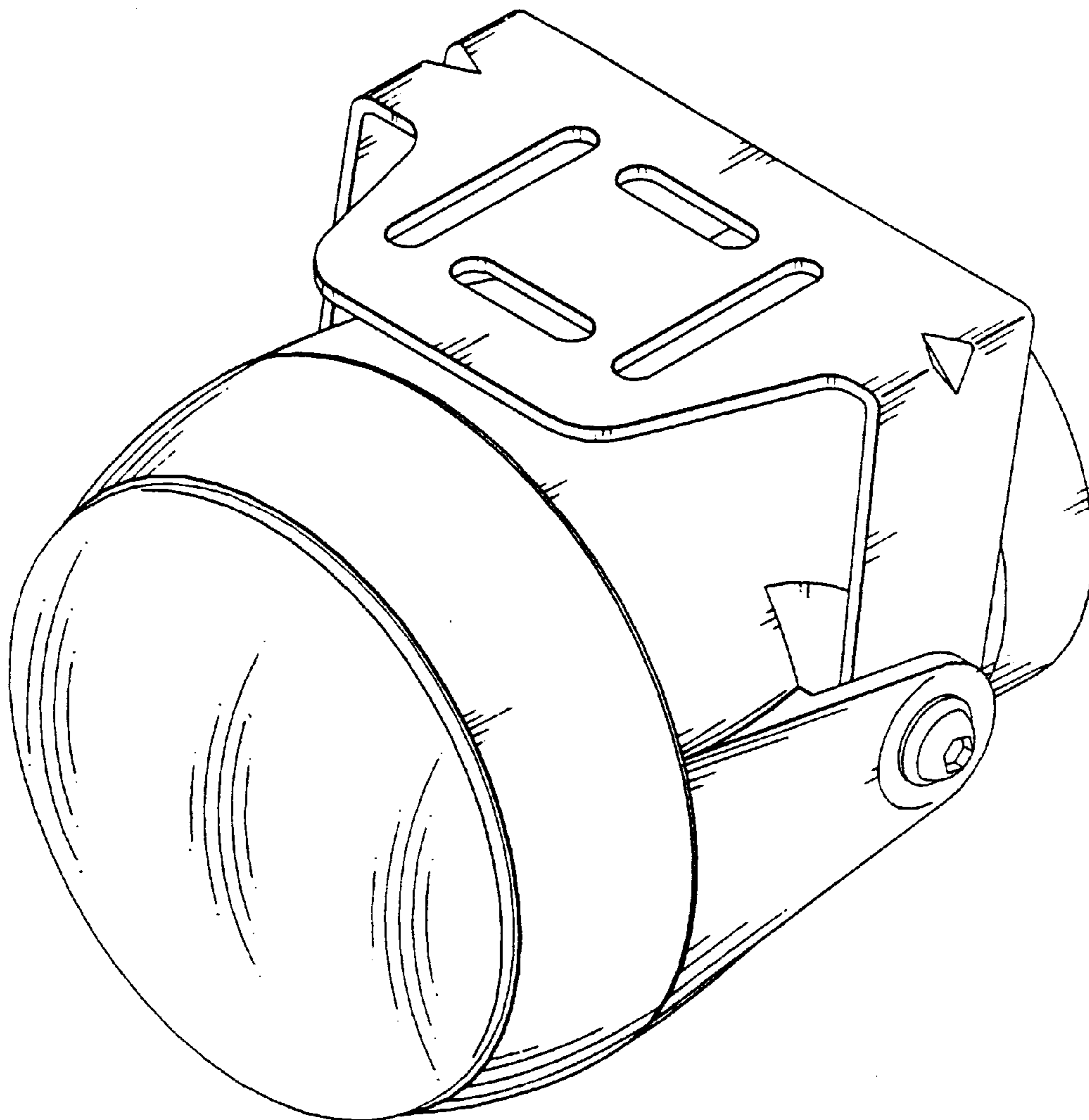
[57] **CLAIM**

The ornamental design for car lamp, as shown and described.

DESCRIPTION

FIG. 1 is a perspective view of car lamp showing my new design;
 FIG. 2 is a right side elevational view thereof;
 FIG. 3 is a top view thereof;
 FIG. 4 is a front elevational view thereof;
 FIG. 5 is a bottom view thereof;
 FIG. 6 is a left side elevational view thereof; and,
 FIG. 7 is a rear elevational view thereof.

1 Claim, 7 Drawing Sheets



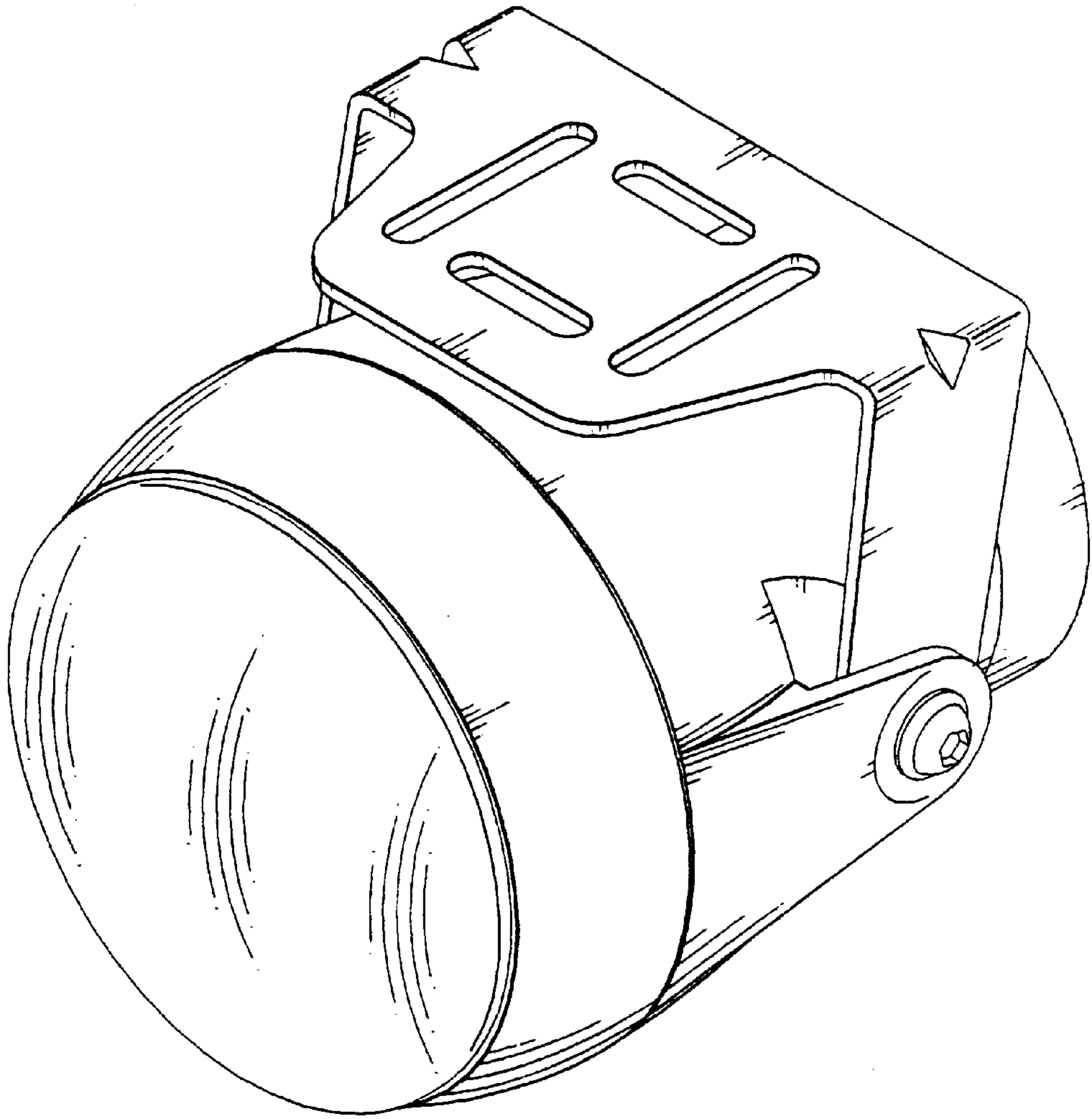


FIG. 1

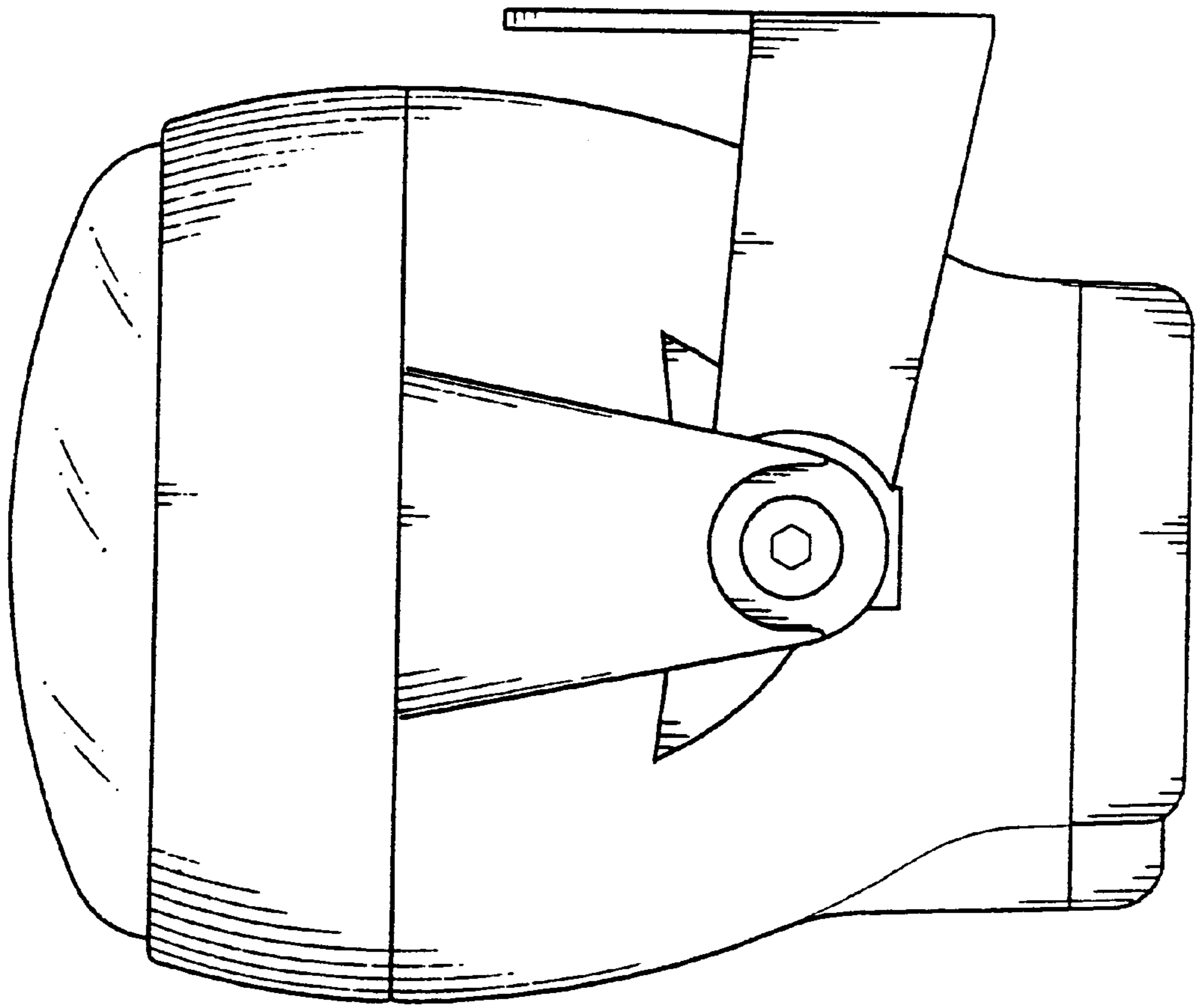


FIG. 2

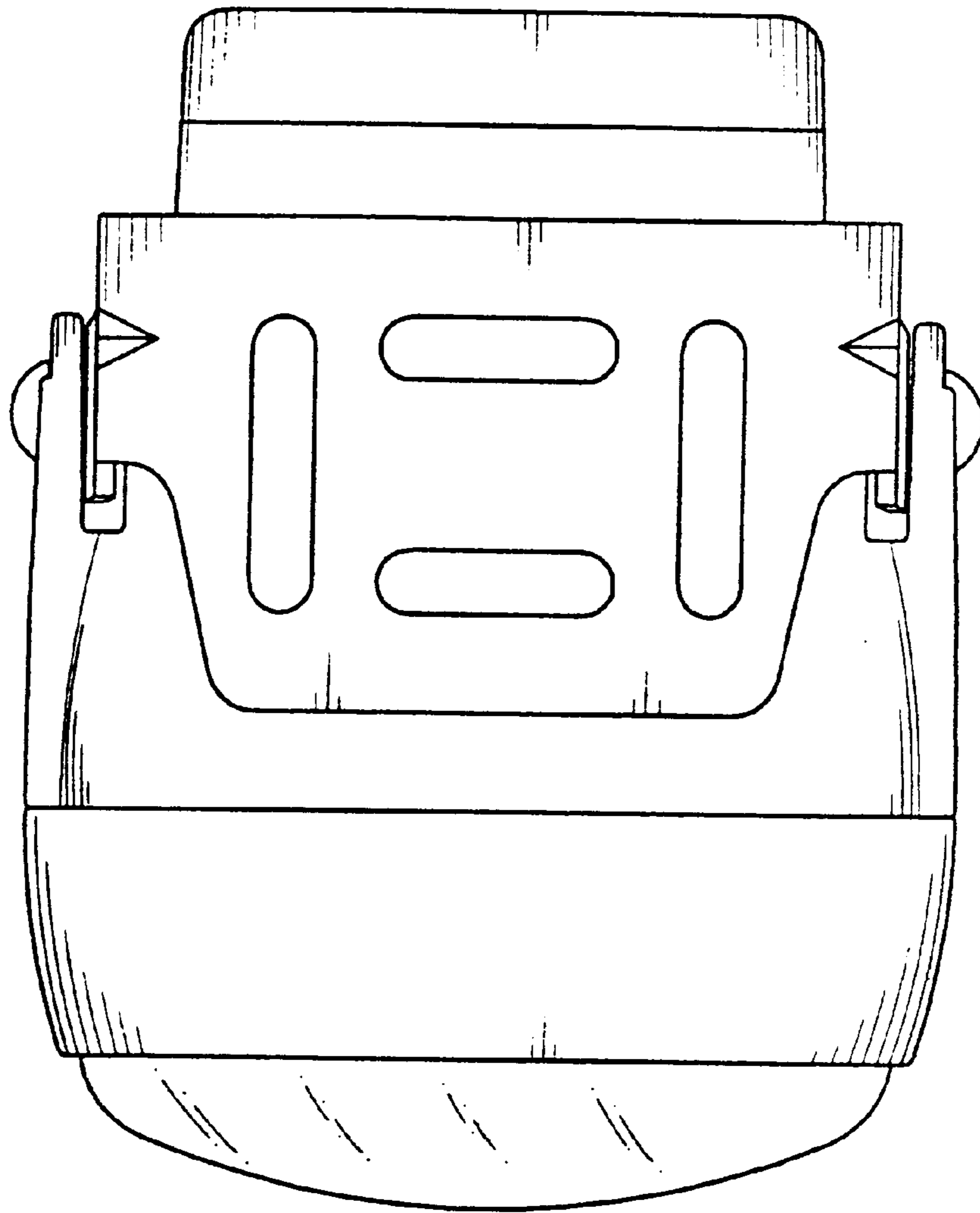


FIG. 3

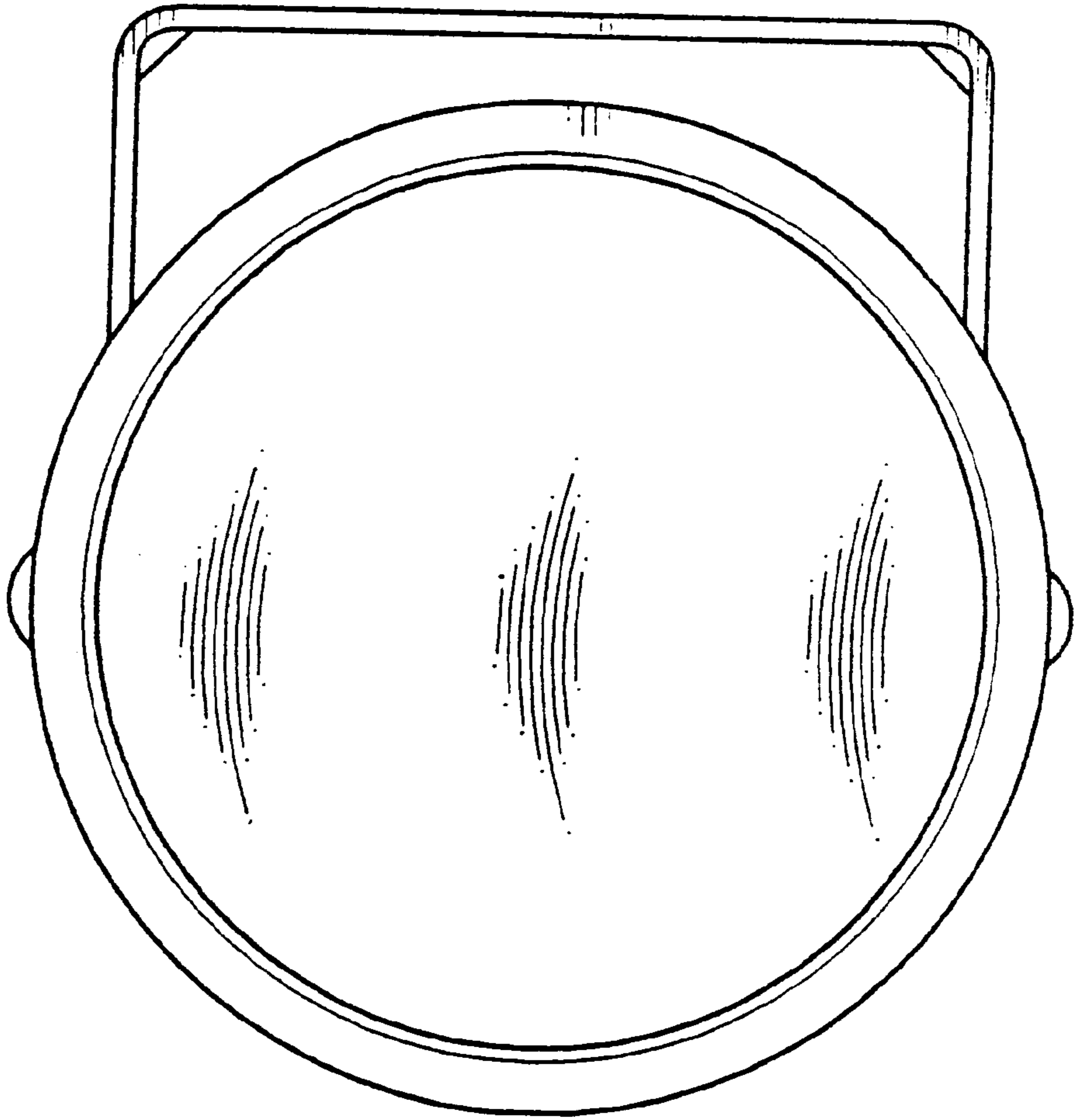


FIG. 4

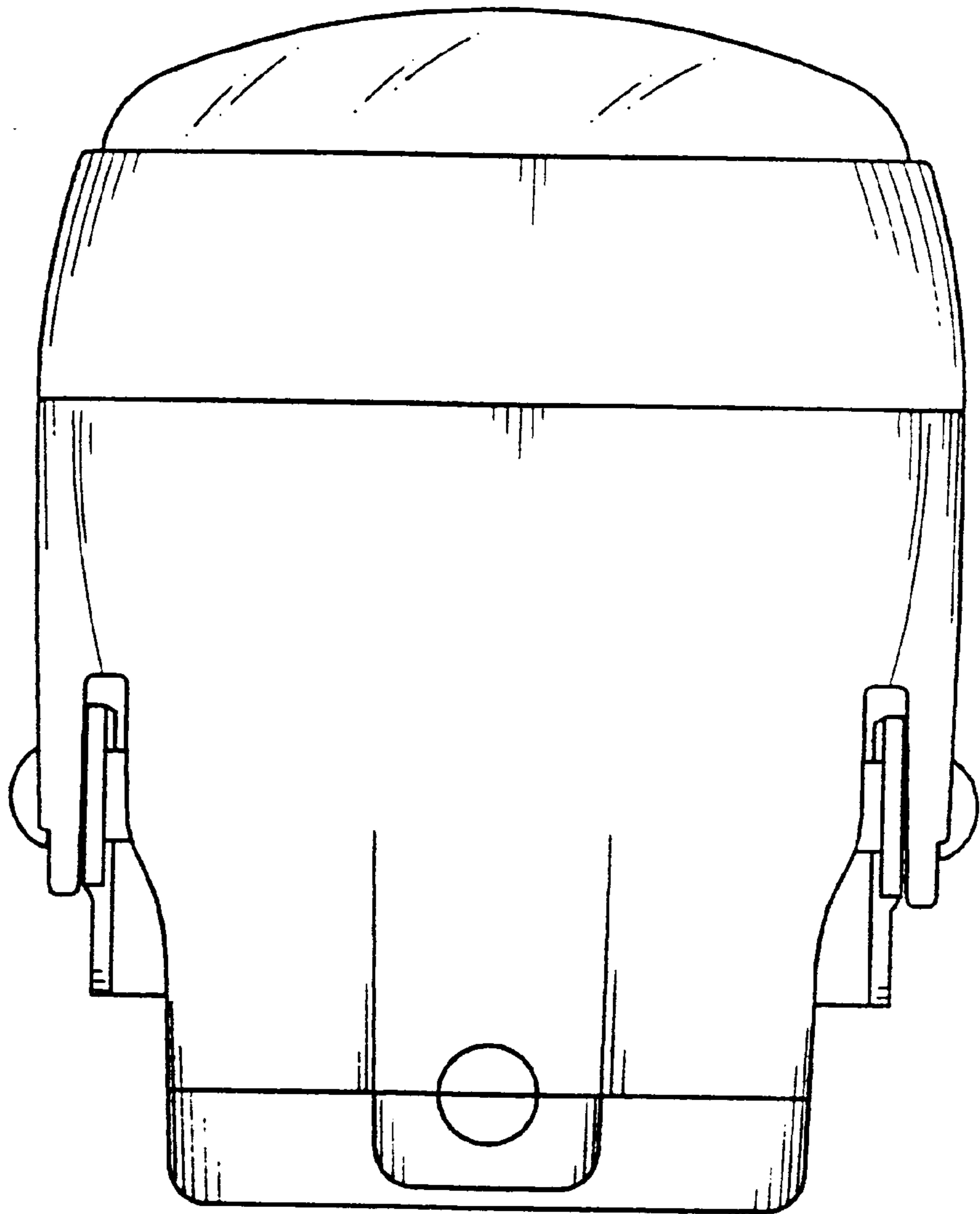


FIG. 5

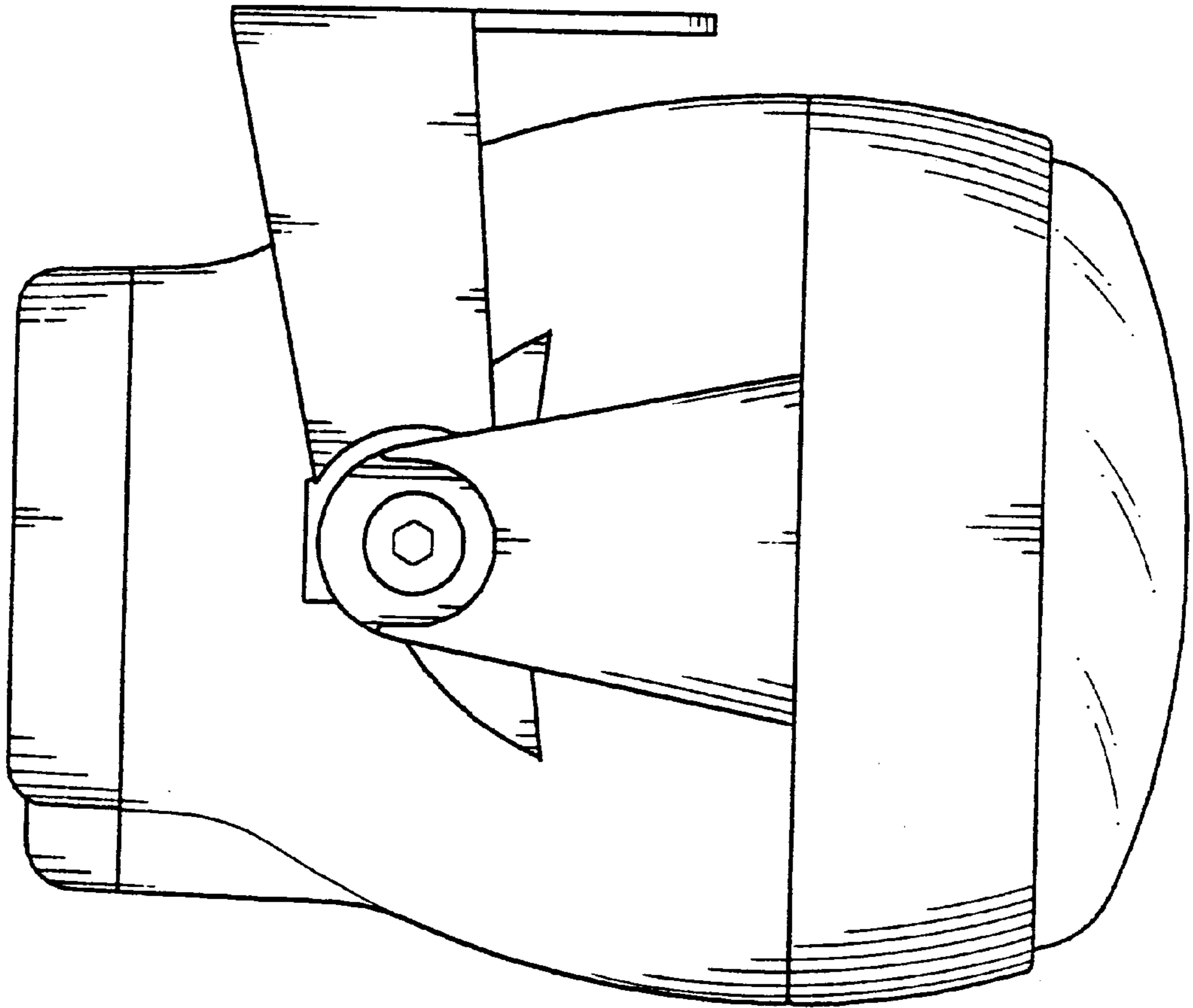


FIG. 6

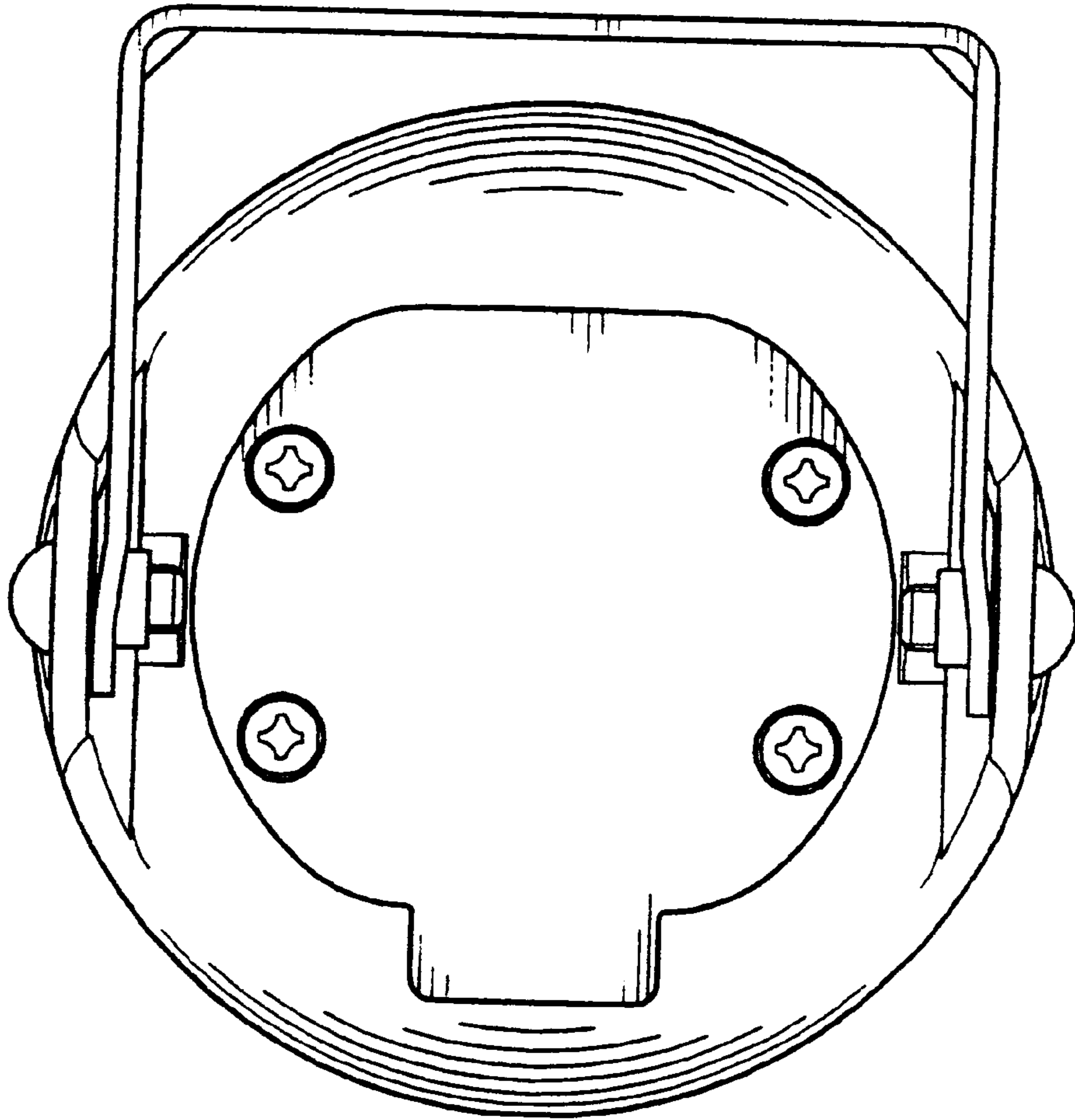


FIG. 7