



US00D415295S

United States Patent [19]

Kochis et al.

[11] Patent Number: Des. 415,295

[45] Date of Patent: ** Oct. 12, 1999

[54] TEALIGHT CANDLE HOLDER

[75] Inventors: Michael T. Kochis, Wheaton, Ill.; Paul G. Ritchie, Yarmouthport, Mass.; Margaret W. Szczerba, Carol Stream, Ill.

[73] Assignee: Blyth Industries, Inc., Greenwich, Conn.

[**] Term: 14 Years

[21] Appl. No.: 29/092,159

[22] Filed: Aug. 13, 1998

[51] LOC (6) Cl. 26-01

[52] U.S. Cl. D26/9; D26/11

[58] Field of Search D26/9-13, 21, D26/22; 431/291-2, 295-6; 362/161-3; D7/509, 523-5

[56] References Cited

U.S. PATENT DOCUMENTS

D. 281,909	12/1985	Meckling	D26/11
D. 293,823	1/1988	Fieschi et al.	D26/11
D. 313,479	1/1991	Goldberg	D26/9
D. 350,406	9/1994	Gereau	D26/9
2,137,701	11/1938	Replogle	D26/11

Primary Examiner—Robin V. Taylor
Attorney, Agent, or Firm—Schiff Hardin & Waite

[57] CLAIM

The ornamental design for a tealight candle holder, as shown and described.

DESCRIPTION

FIG. 1 is a perspective view of a tealight candle holder, showing our new design;

FIG. 2 is a top plan view thereof, showing our new design containing eight foot members;

FIG. 3 is a front elevation view thereof, the opposite side being a mirror image thereof;

FIG. 4 is a bottom plan view thereof, showing our new design containing eight foot members;

FIG. 5 is a bottom plan view thereof, showing a second embodiment of our new design the only difference being three foot members;

FIG. 6 is a bottom plan view thereof, showing a third embodiment of our new design the only difference being four foot members; and,

FIG. 7 is a bottom plan view thereof, showing a fourth embodiment of our new design the only difference being six foot members.

1 Claim, 1 Drawing Sheet

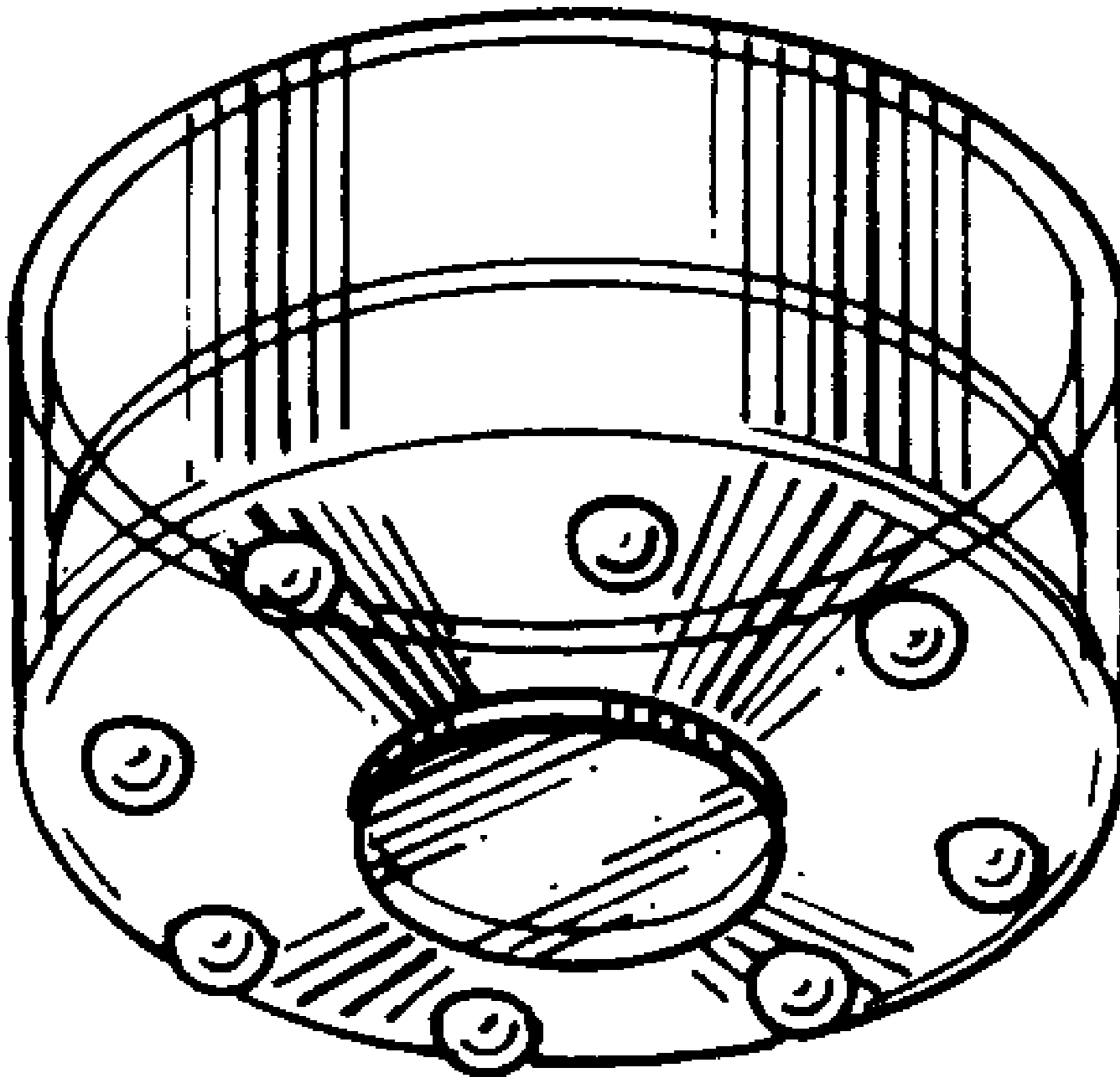


FIG. 1

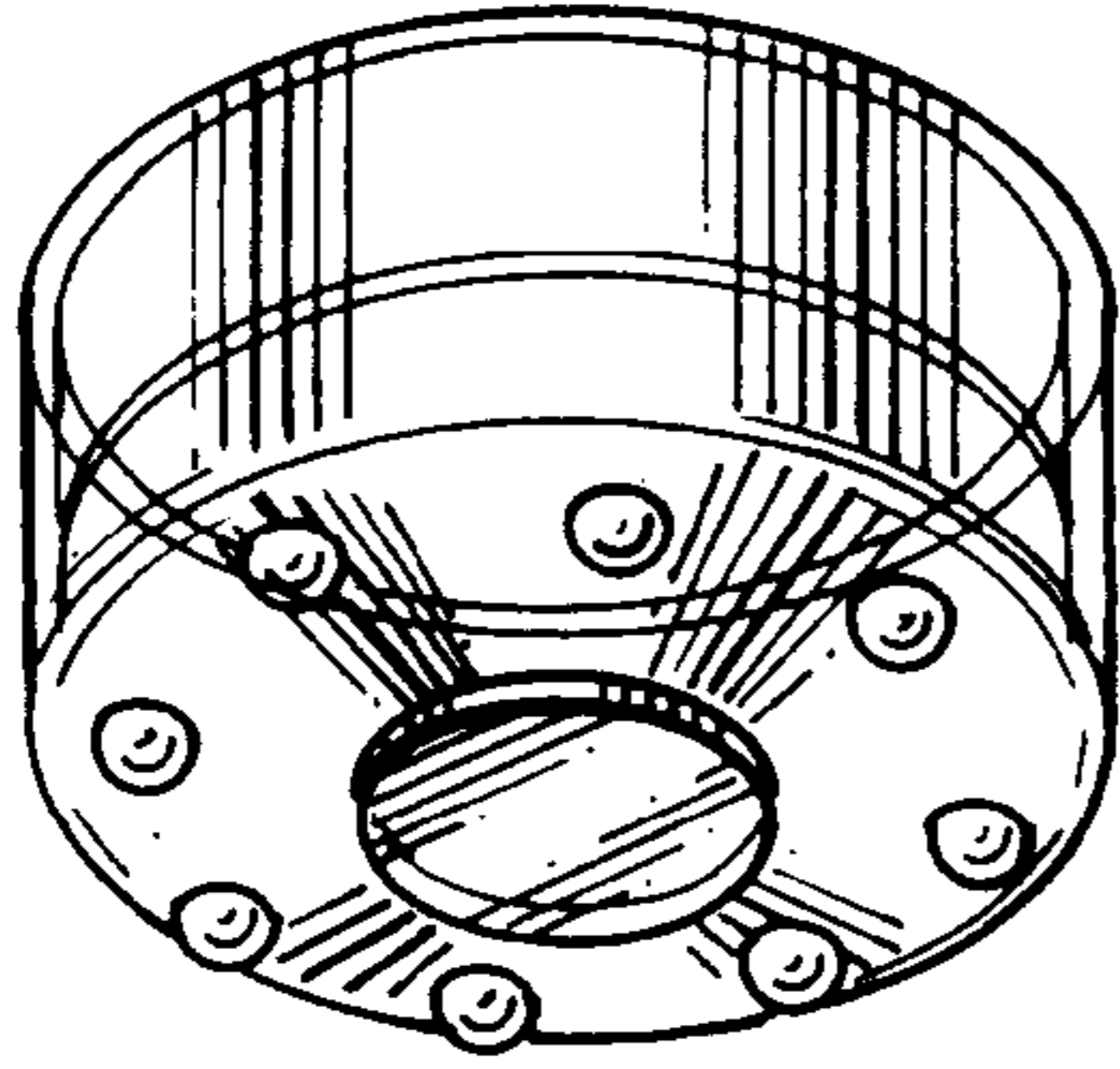


FIG. 2

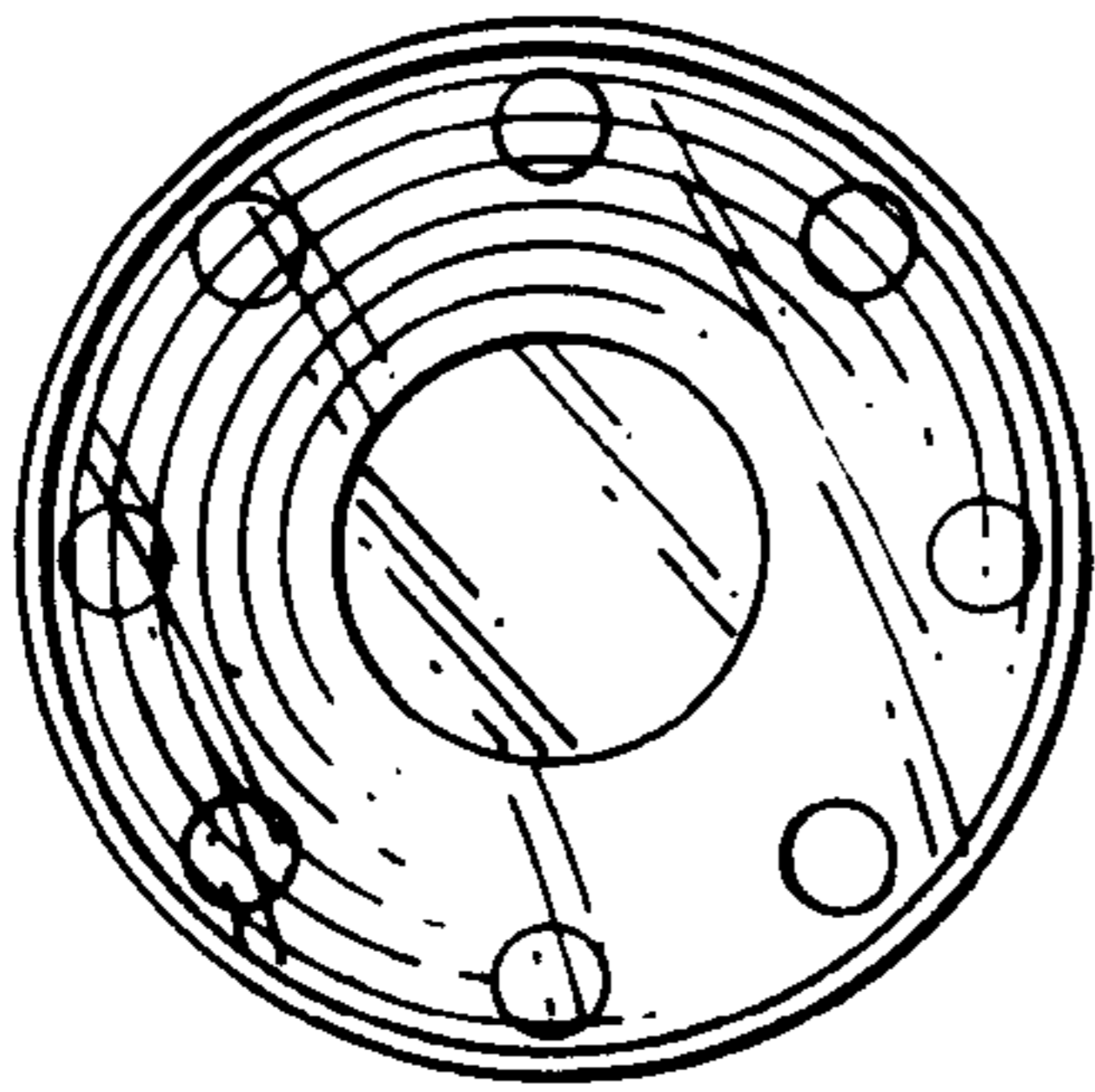


FIG. 3

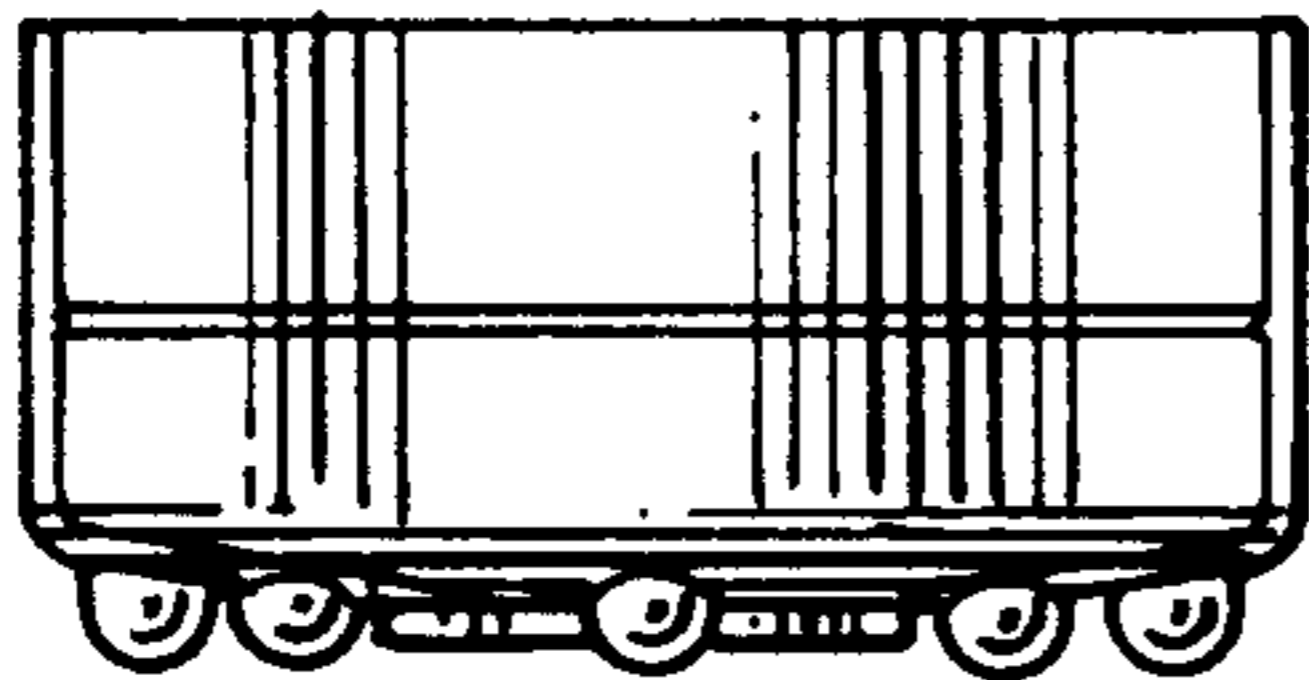


FIG. 4

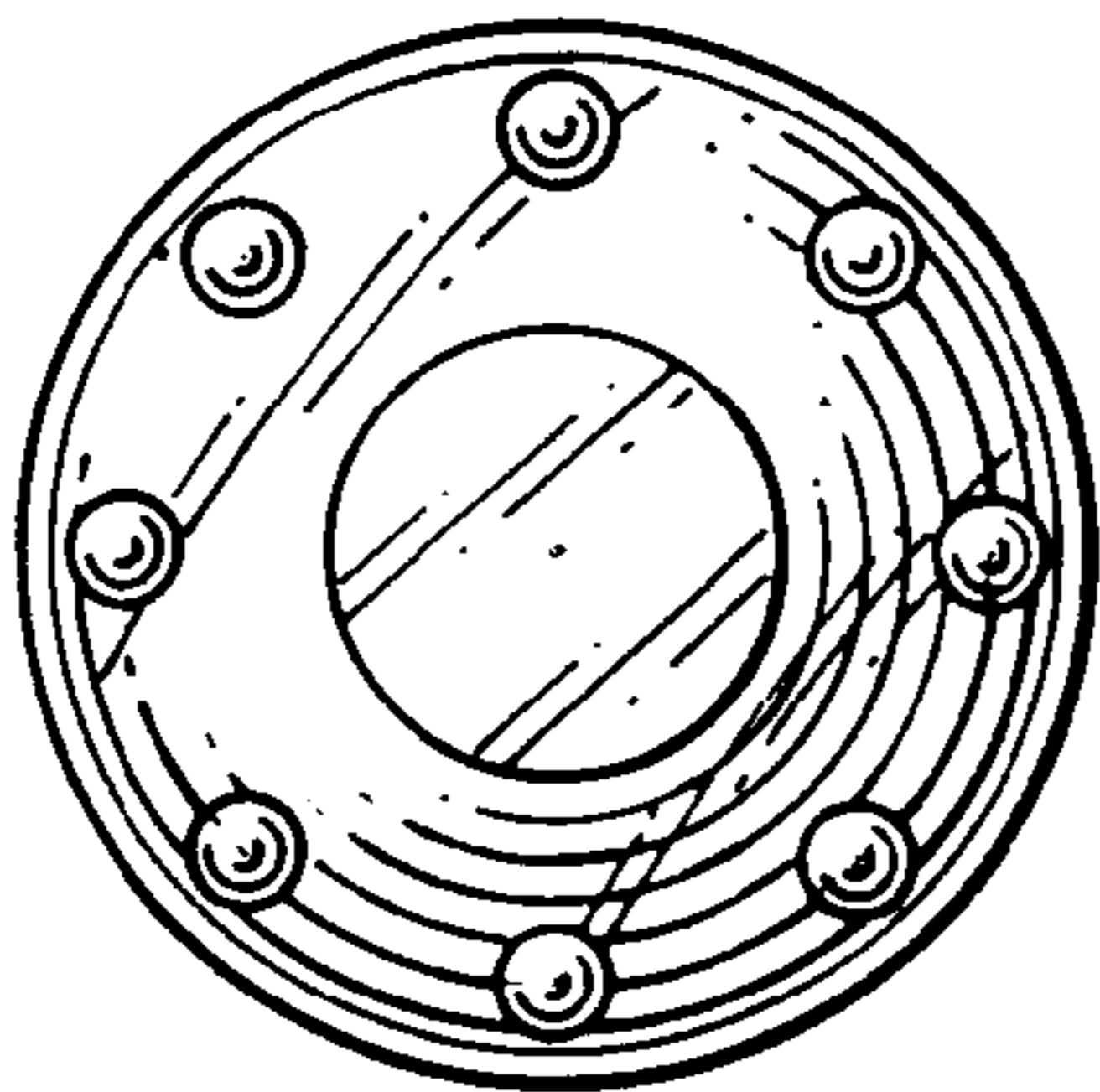


FIG. 5

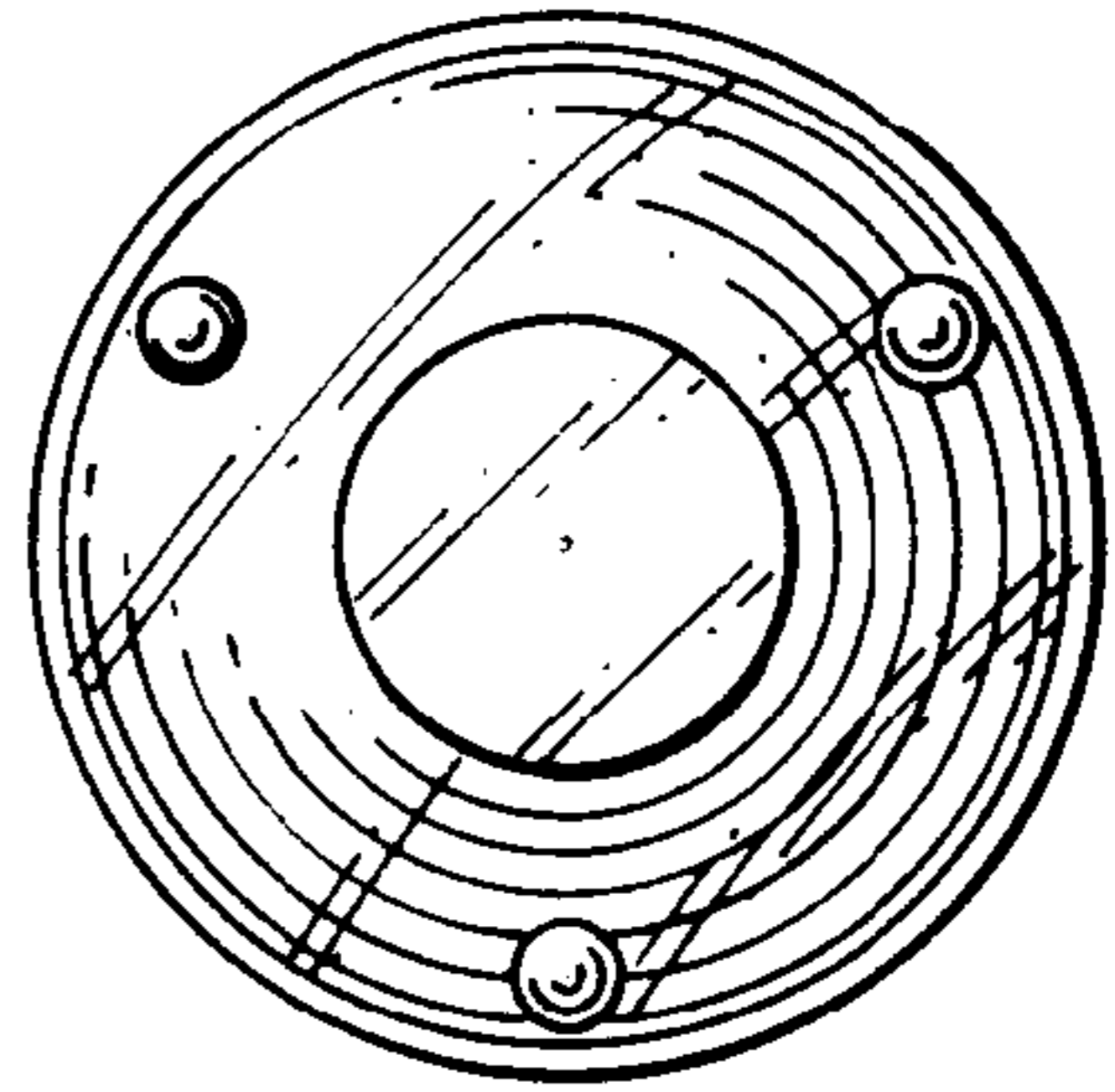


FIG. 6

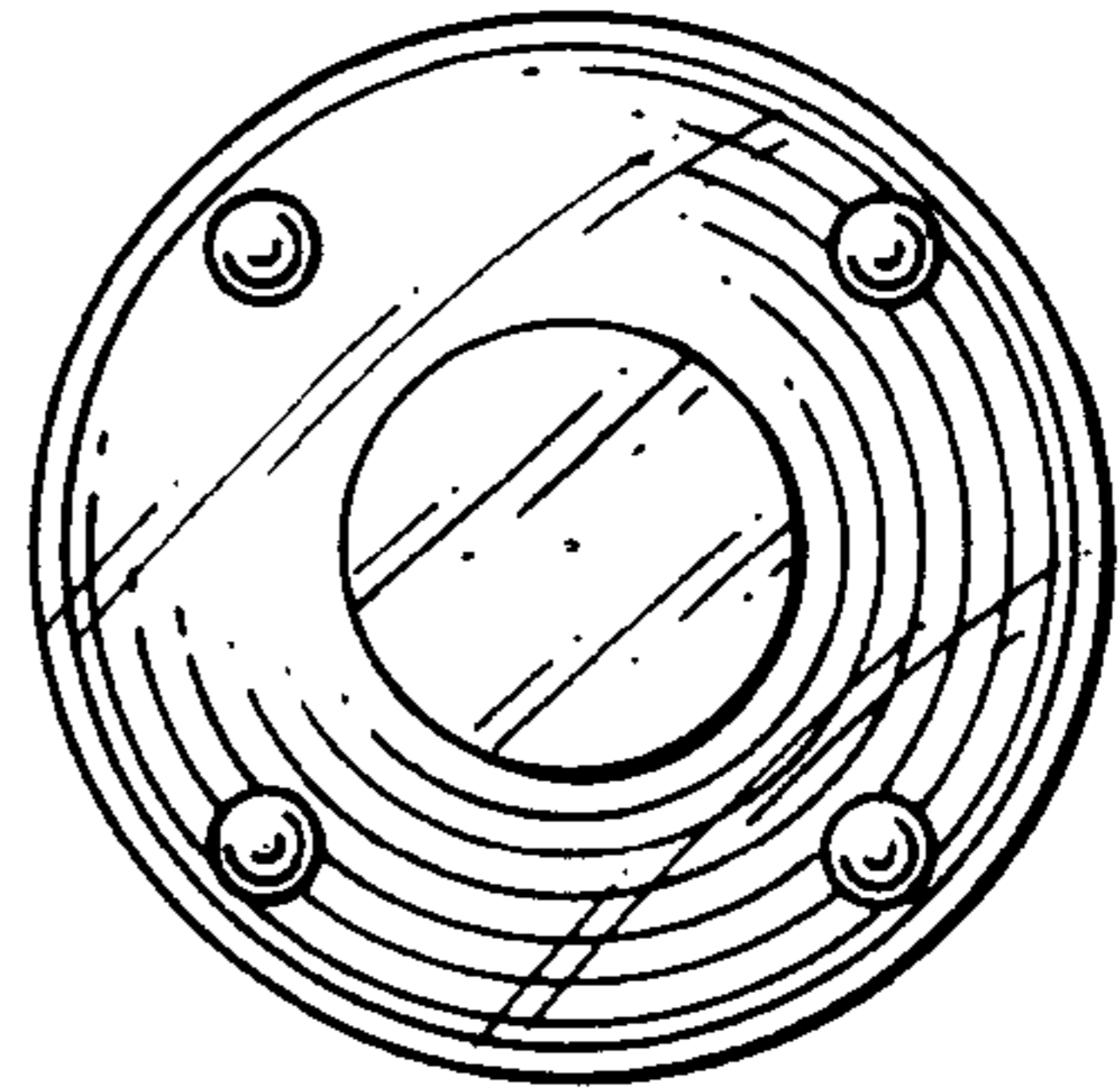


FIG. 7

