



US00D415292S

United States Patent [19]
Giese

[11] **Patent Number: Des. 415,292**

[45] **Date of Patent: ** Oct. 12, 1999**

[54] **STRUCTURAL MEMBER**

[75] Inventor: **Robert D. Giese**, Kenosha, Wis.

[73] Assignee: **White Consolidated Industries, Inc.**,
Cleveland, Ohio

[**] Term: **14 Years**

[21] Appl. No.: **29/093,004**

[22] Filed: **Aug. 31, 1998**

[51] **LOC (6) Cl.** **25-01**

[52] **U.S. Cl.** **D25/123**

[58] **Field of Search** D25/119, 121,
D25/122, 124, 125, 55, 57; 160/45-46,
48, 239, 240, 353, 354, 368.1, 369, 371-372,
377, 66

[56] **References Cited**

U.S. PATENT DOCUMENTS

D. 258,912 4/1981 Dallaire D25/123

3,918,510 11/1975 Hayward 160/45
4,640,332 2/1987 Turner 160/46
5,207,255 5/1993 Shannon 160/46
5,259,432 11/1993 Danieli 160/46

Primary Examiner—Doris Clark
Attorney, Agent, or Firm—Pearne, Gordon, McCoy &
Granger LLP

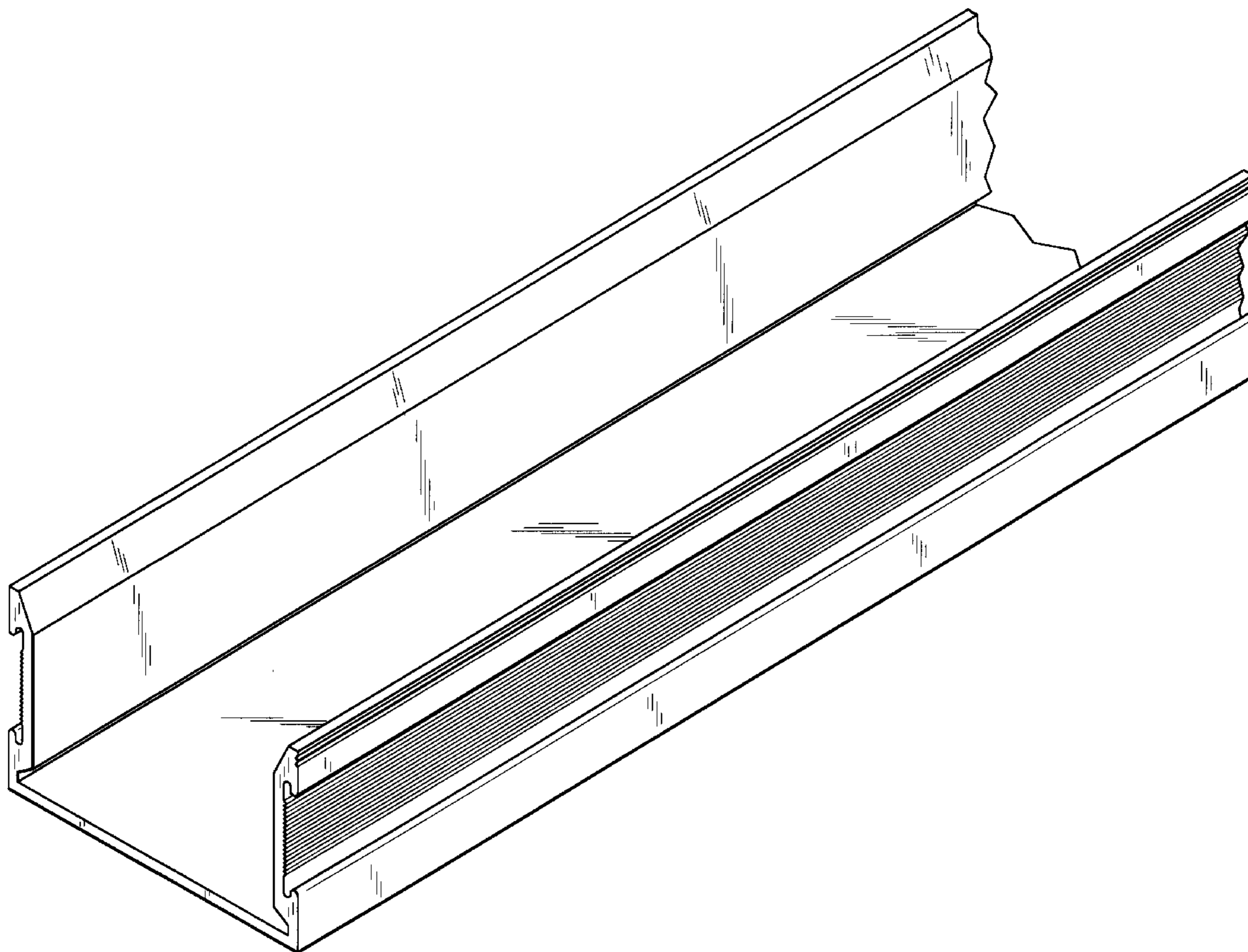
[57] **CLAIM**

The ornamental design for a structural member, as shown and described.

DESCRIPTION

FIG. 1 is a perspective view of a structural member, showing my new design.
FIG. 2 is a side view thereof it is noted that the opposite side is identical to the illustrated side.
FIG. 3 is a top view thereof; and,
FIG. 4 is an end view thereof it is noted that the opposite end is identical to the illustrated end.

1 Claim, 2 Drawing Sheets



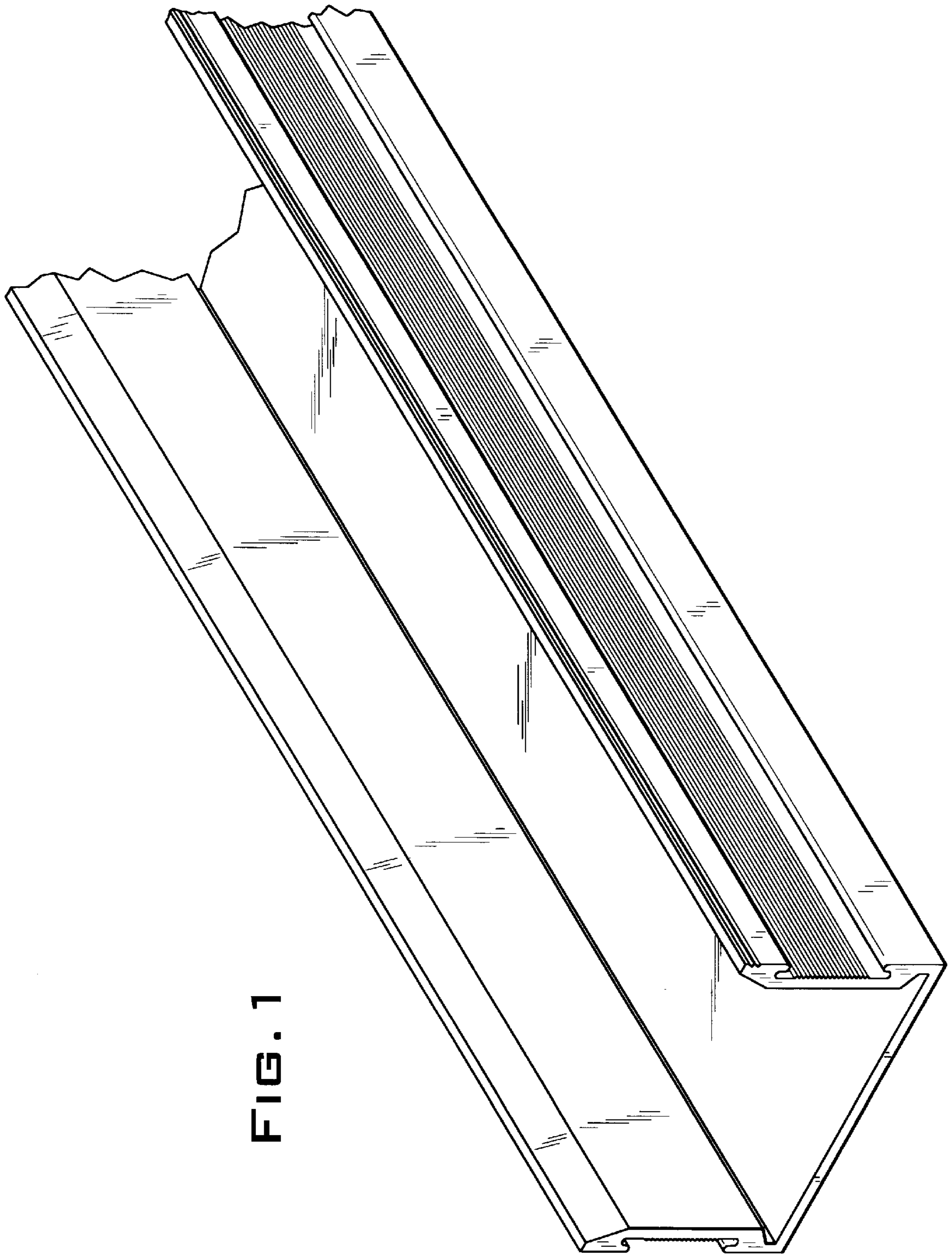


FIG. 1

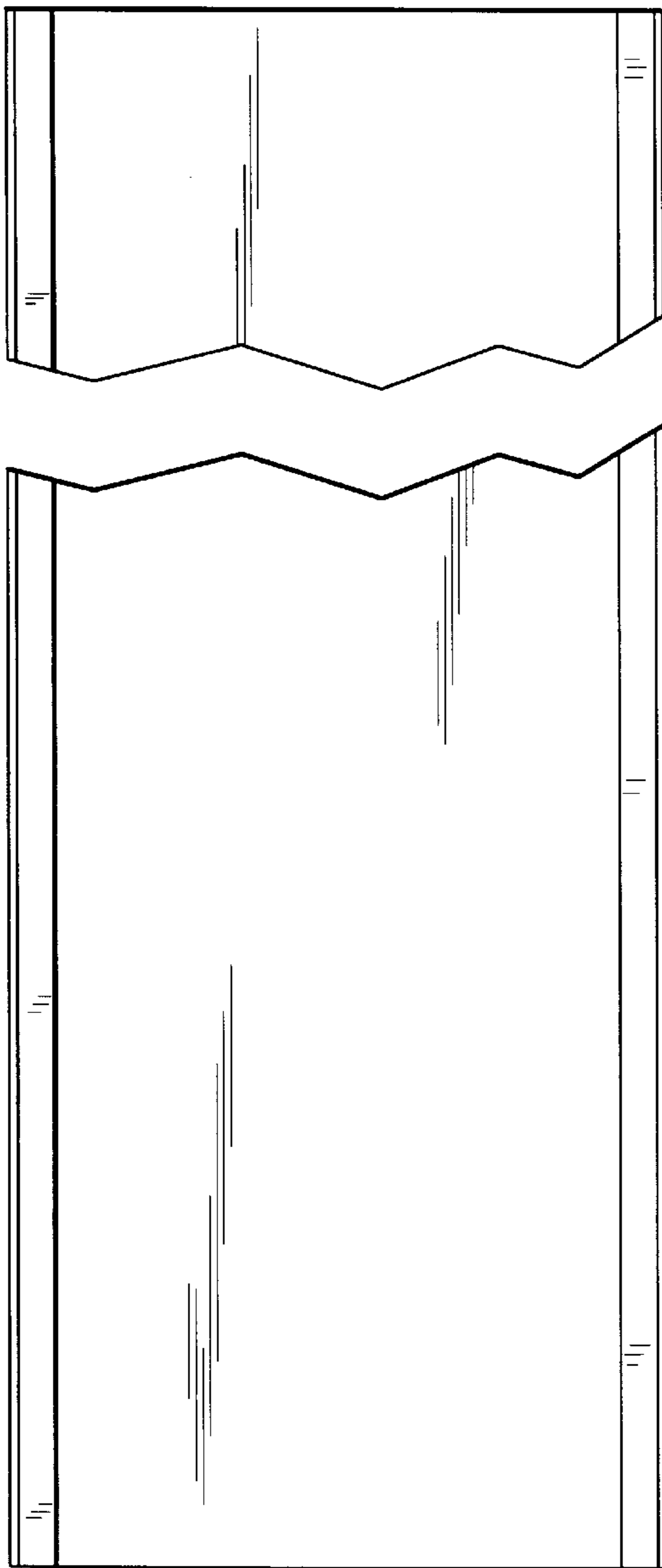


FIG. 3

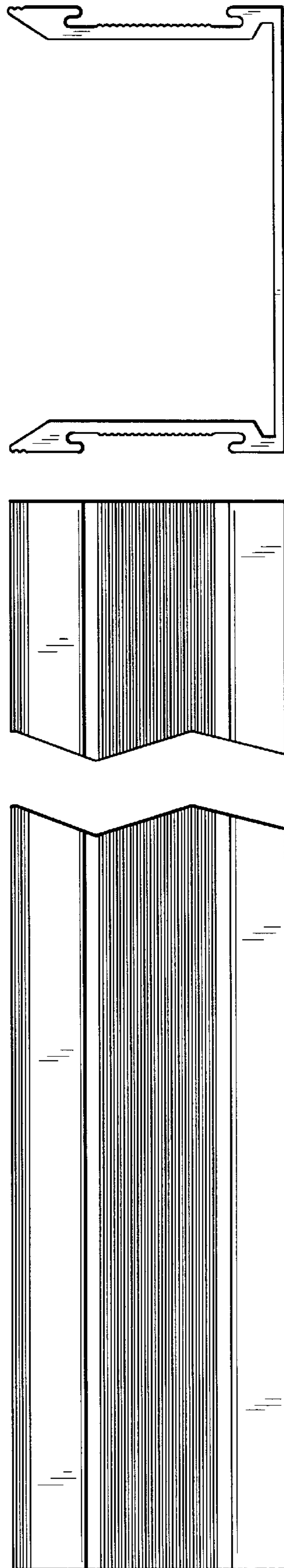


FIG. 2

FIG. 4

UNITED STATES PATENT AND TRADEMARK OFFICE
CERTIFICATE OF CORRECTION

PATENT NO. : Des. 415,292
DATED : October 12, 1999
INVENTOR(S) : Giese

It is certified that error appears in the above-identified patent and that said Letters Patent is hereby corrected as shown below:

On the title page item [57], after "CLAIM" insert
--The structural member is broken away to denote
indeterminate length--.

Signed and Sealed this
Twenty-fifth Day of April, 2000

Attest:



Q. TODD DICKINSON

Attesting Officer

Director of Patents and Trademarks