



US00D415291S

United States Patent [19]
Woodruff

[11] **Patent Number: Des. 415,291**

[45] **Date of Patent: ** Oct. 12, 1999**

[54] **STORM DOOR GLASS**

Attorney, Agent, or Firm—Shoemaker and Mattare, Ltd.

[75] Inventor: **Alan H. Woodruff**, Suwanee, Ga.

[57] **CLAIM**

[73] Assignee: **Caradon Doors and Windows, Inc.**,
Norcross, Ga.

The ornamental design for a storm door glass, as shown and described.

[**] Term: **14 Years**

DESCRIPTION

[21] Appl. No.: **29/074,130**

FIG. 1 is a perspective view of a storm door glass, showing my new design;

[22] Filed: **Jul. 25, 1997**

FIG. 2 is a front elevation thereof;

[51] **LOC (6) Cl.** **25-01**

FIG. 3 is a right side elevation thereof, the left side being symmetrical;

[52] **U.S. Cl.** **D25/103**

FIG. 4 is a rear elevation thereof;

[58] **Field of Search** D25/52, 103; 52/311.1;
428/13, 14, 34, 38

FIG. 5 is a top plan view thereof, the bottom plan view being symmetrical; and,

[56] **References Cited**

FIG. 6 is a sectional view of the door, taken on a horizontal plane 6—6 in FIG. 1, showing the surface contour of the inlaid ornamentation.

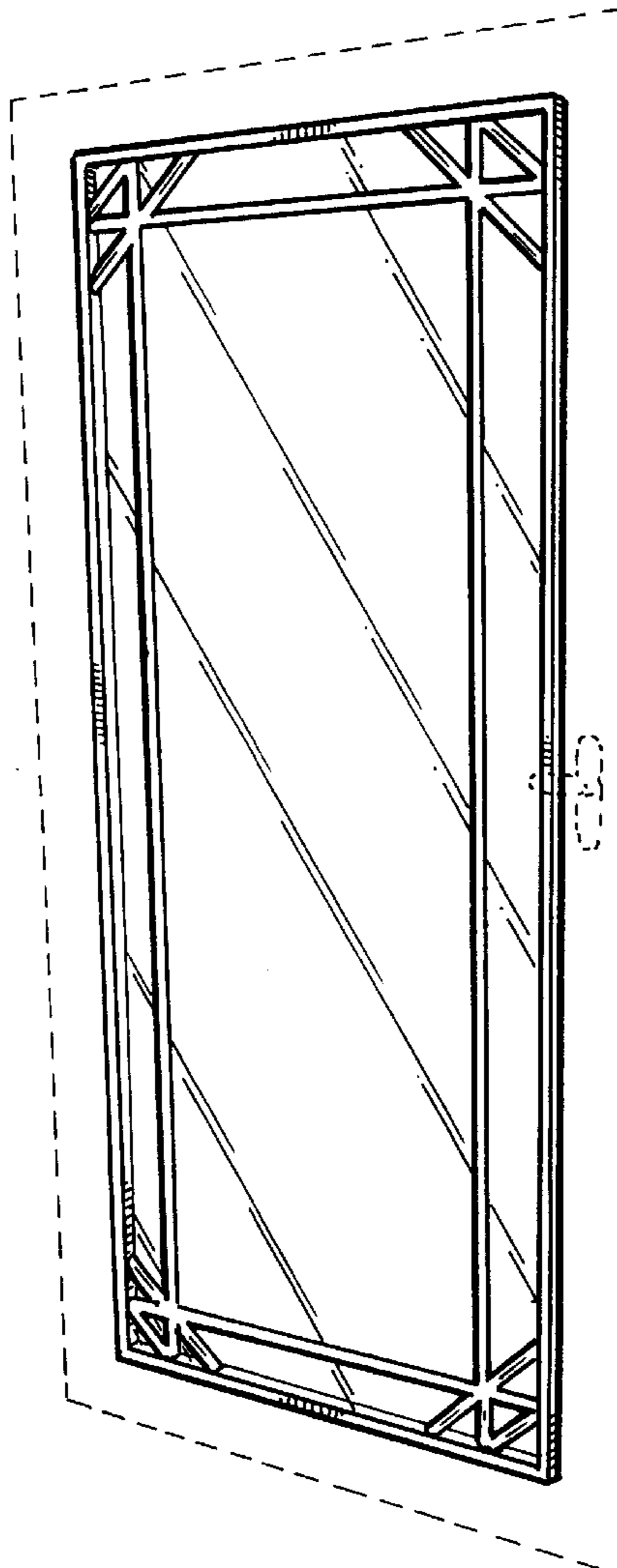
U.S. PATENT DOCUMENTS

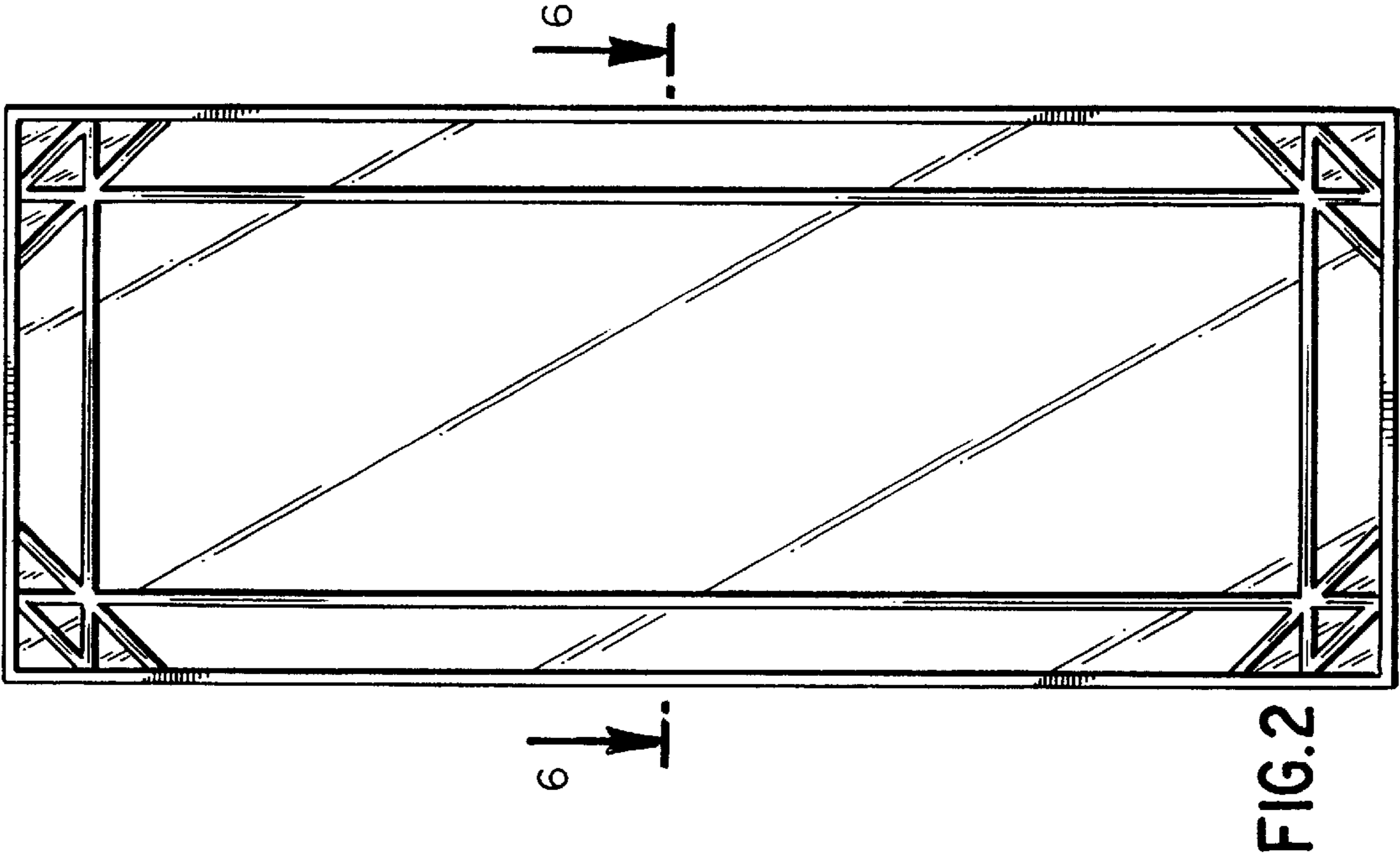
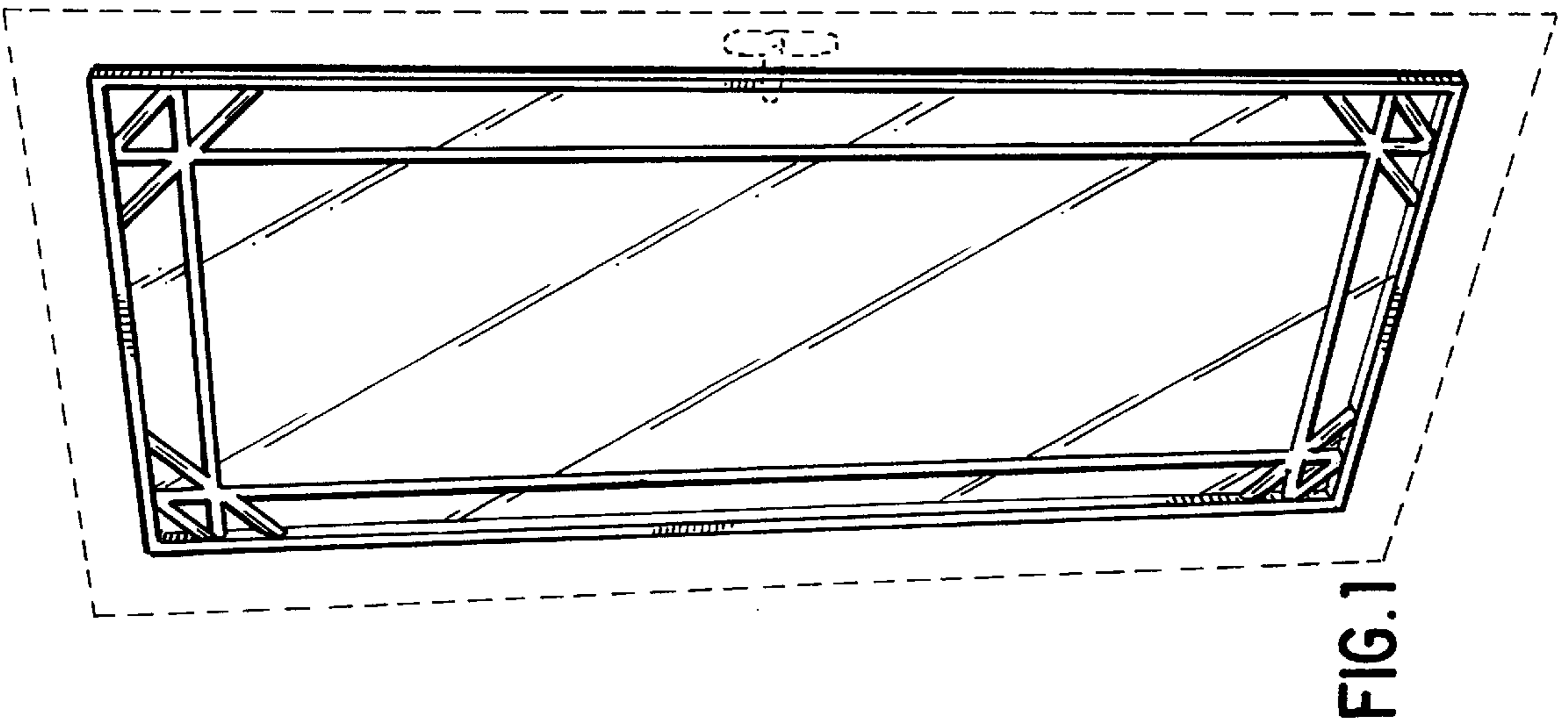
The broken lines showing a door frame is for illustrative purposes only and form no part of the claimed design.

D. 27,990 12/1897 Wright D25/103
224,831 2/1880 La Farge 428/38

Primary Examiner—Doris Clark

1 Claim, 2 Drawing Sheets





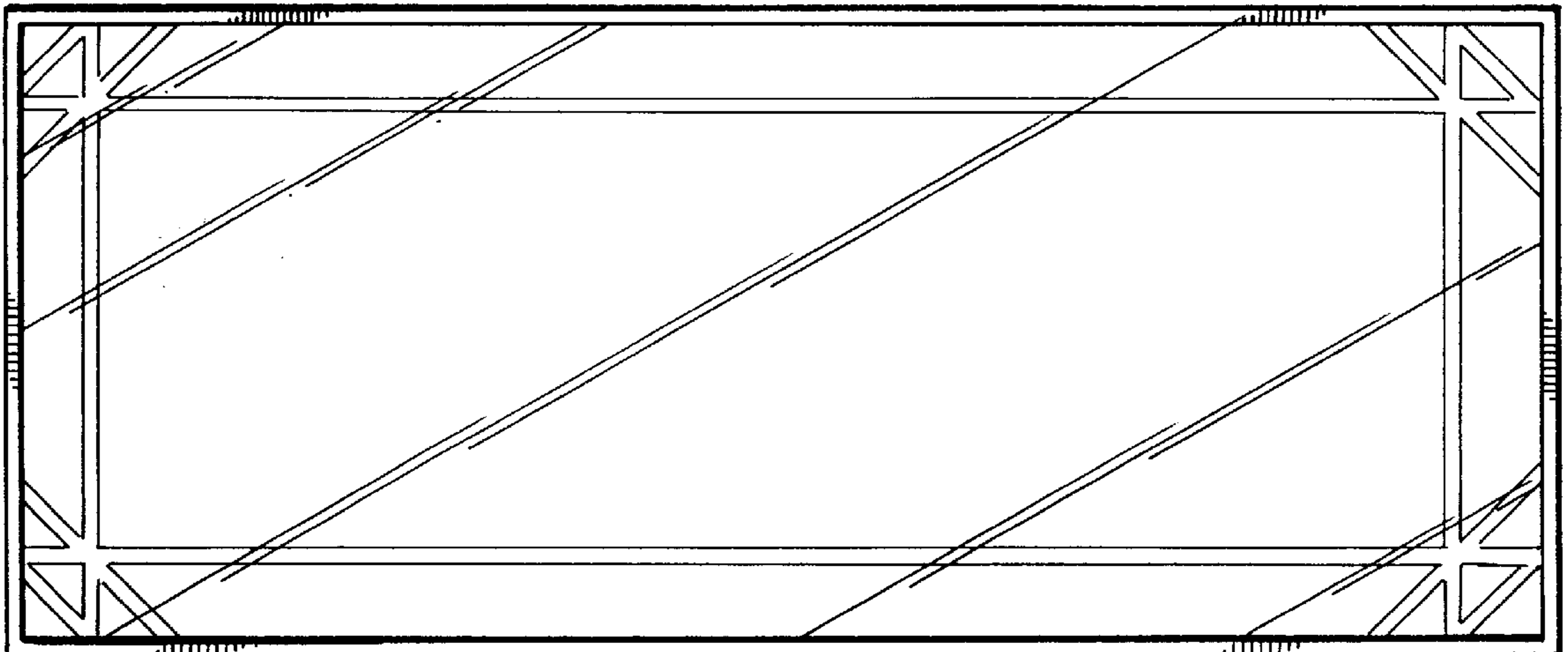


FIG. 4



FIG. 5



FIG. 6