



US00D415289S

# United States Patent [19]

[11] **Patent Number: Des. 415,289**

**Dalton**

[45] **Date of Patent: \*\* Oct. 12, 1999**

[54] **STAIR TREAD SURFACE**

[75] Inventor: **Namen G. Dalton**, Wooster, Ohio

[73] Assignee: **Wooster Products, Inc.**, Wooster, Ohio

[\*\*] Term: **14 Years**

[21] Appl. No.: **29/068,287**

[22] Filed: **Mar. 26, 1997**

[51] **LOC (6) Cl.** ..... **25-04**

[52] **U.S. Cl.** ..... **D25/69**

[58] **Field of Search** ..... D25/69; 52/188,  
52/177, 179, 181, 182

[56] **References Cited**

**U.S. PATENT DOCUMENTS**

D. 28,351 3/1898 Inglis ..... D25/69  
954,967 4/1910 Jacobs ..... 52/181

*Primary Examiner*—Doris Clark  
*Attorney, Agent, or Firm*—James A. Lucas; Driggs, Lucas,  
Brubaker & Hogg Co. L.P.A.

[57] **CLAIM**

The ornamental design of a stair tread surface, as shown and described.

**DESCRIPTION**

FIG. 1 is a perspective view of a stair tread surface showing my new design:

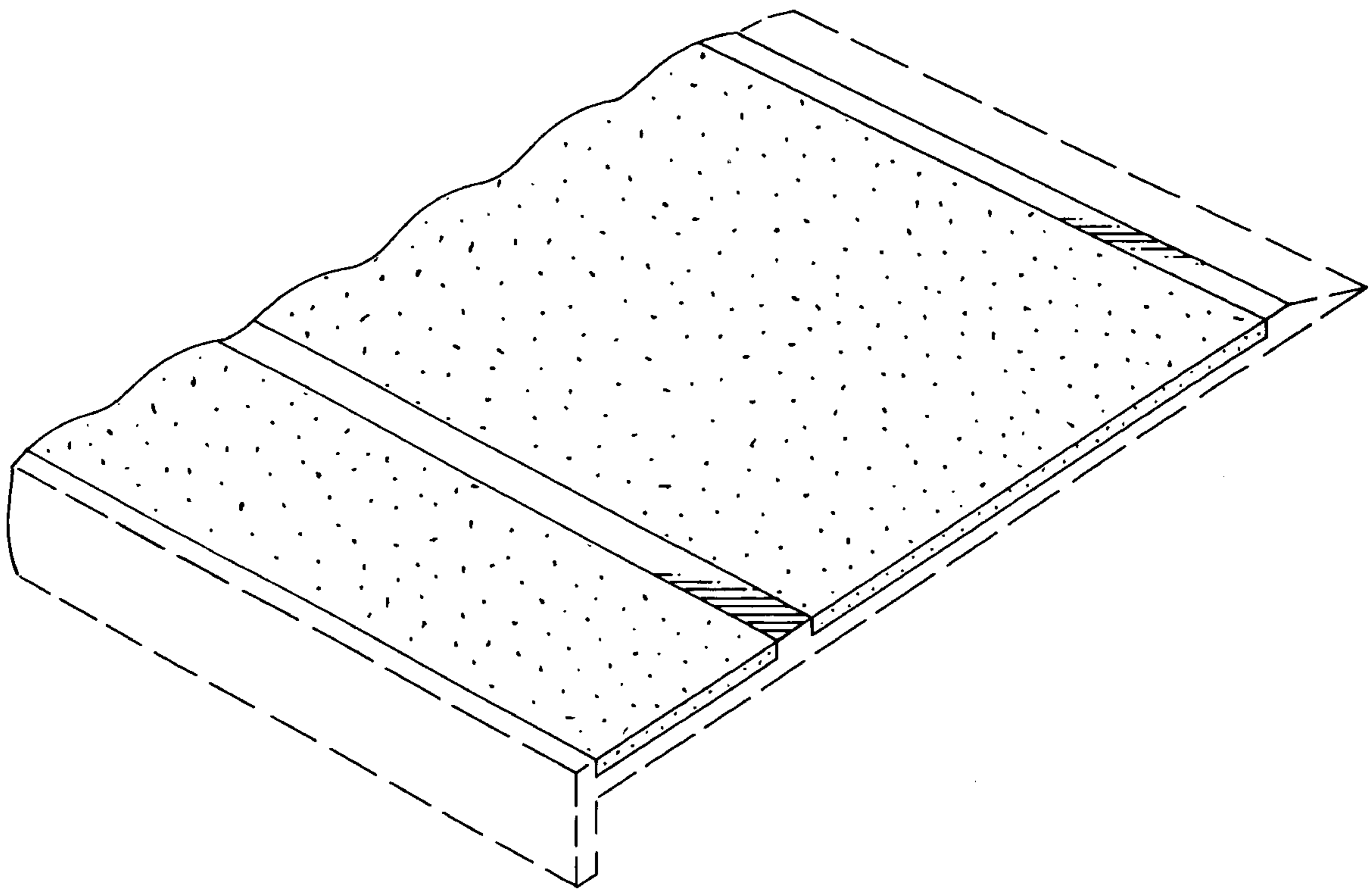
FIG. 2 is a top plan view of the stair tread surface of FIG. 1;

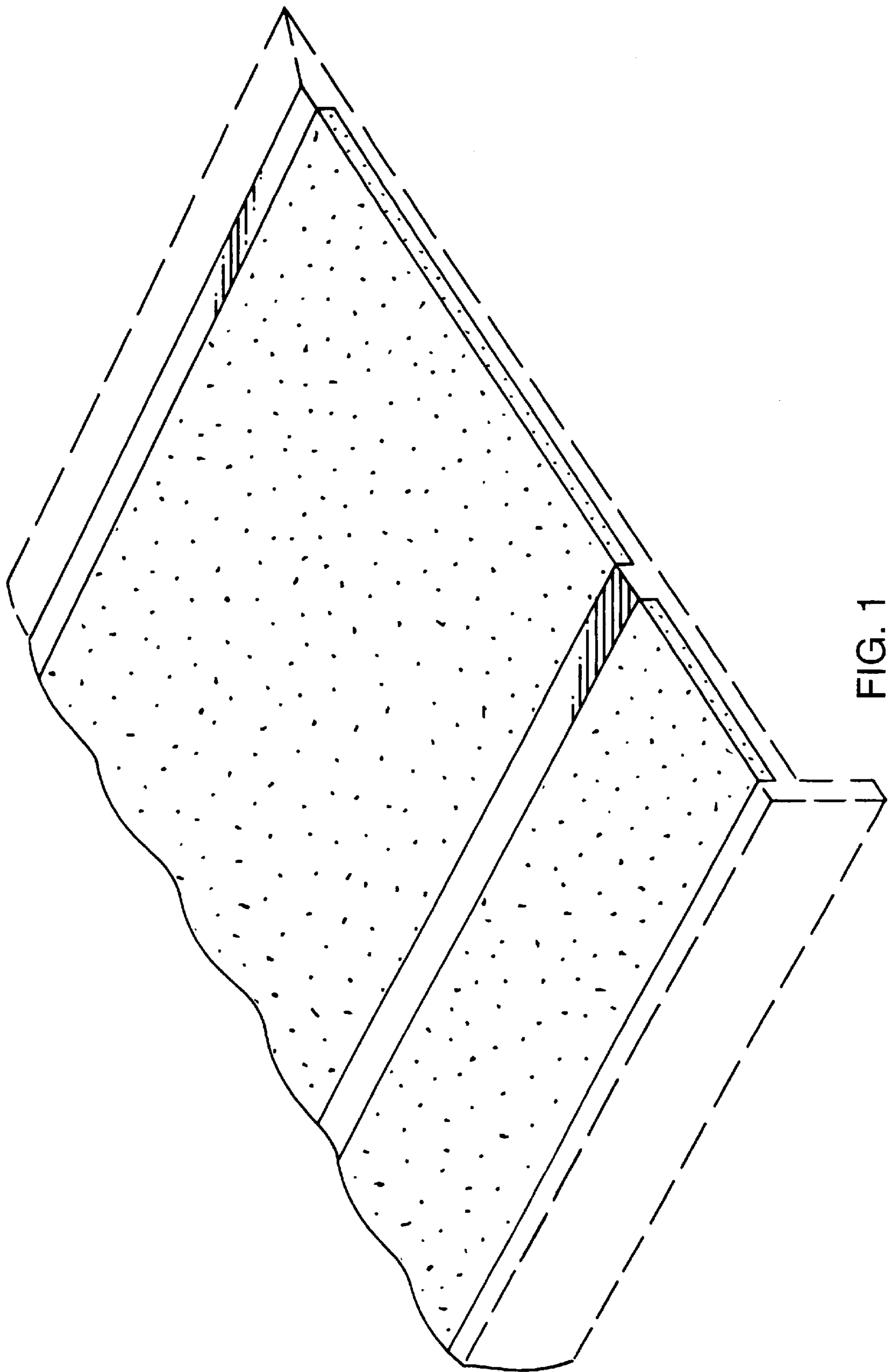
FIG. 3 is a side elevation view of the stair tread of FIG. 1; and,

FIG. 4 is a perspective view of another embodiment of the stair tread surface.

The broken line showing the nose and the back bevel is for illustration only and forms no part of the claimed design.

**1 Claim, 3 Drawing Sheets**





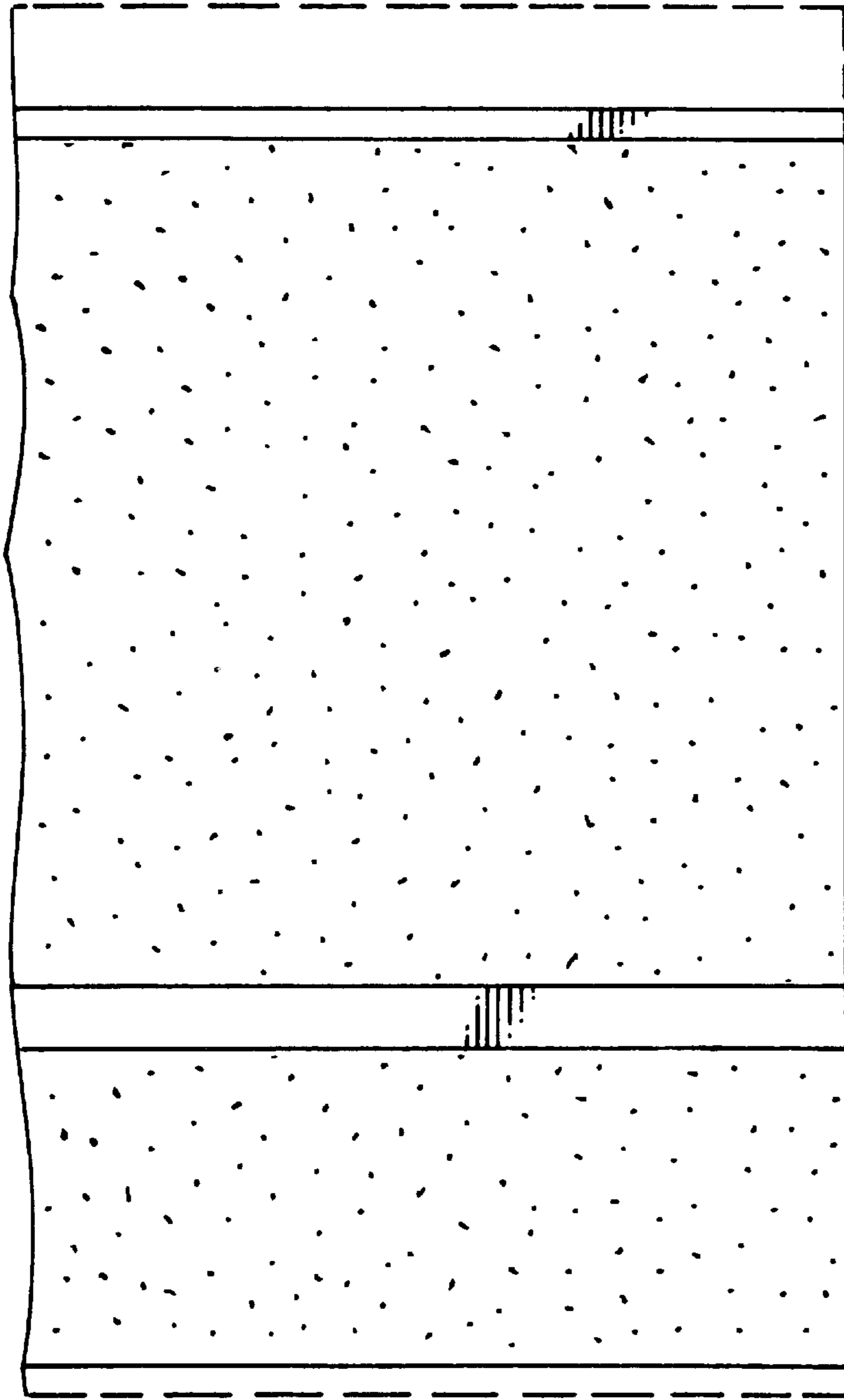


FIG. 2



FIG. 3

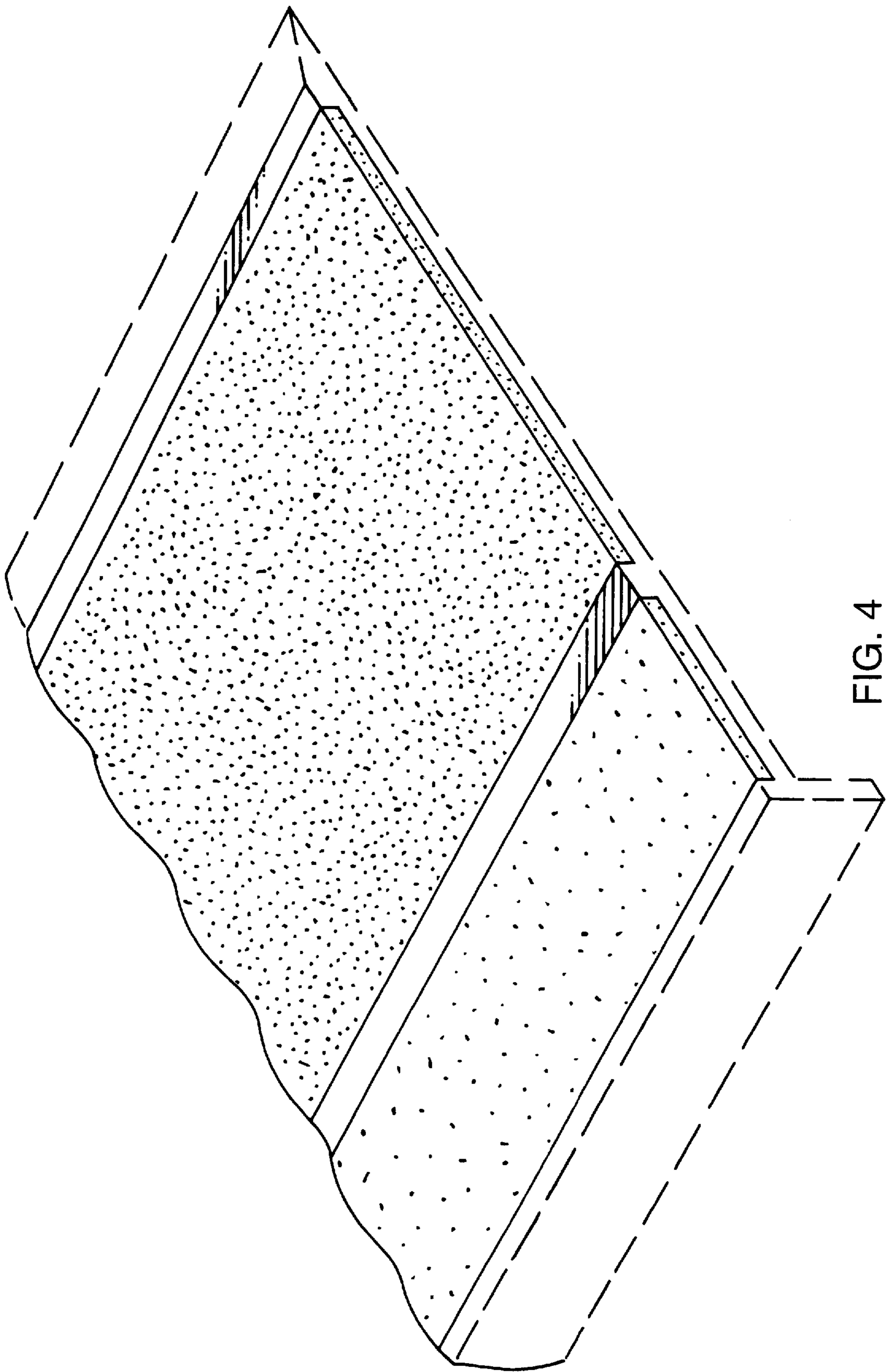


FIG. 4



US00D415289C1

(12) **REEXAMINATION CERTIFICATE** (4595th)

**United States Patent**  
**Dalton**

(10) **Number:** **US D415,289 C1**  
(45) **Certificate Issued:** **Jun. 11, 2002**

(54) **STAIR TREAD SURFACE**

(56)

**References Cited**

(75) Inventor: **Namen G. Dalton**, Wooster, OH (US)

**U.S. PATENT DOCUMENTS**

(73) Assignee: **Wooster Products, Inc.**, Wooster, OH (US)

2,216,250 A	*	10/1940	Nelson	.....	52/177
D124,173 S	*	12/1940	Galtieri	.....	D25/69
D279,607 S	*	7/1985	Rutter	.....	D25/69
4,985,095 A	*	1/1991	Riddle	.....	52/179 X
5,070,664 A	*	12/1991	Groh et al.	.....	52/177
5,735,097 A	*	4/1998	Cheyne	.....	52/177 X
5,778,609 A	*	7/1998	Pawson et al.	.....	52/181
5,904,017 A	*	5/1999	Glatz et al.	.....	52/179 X

**Reexamination Request:**

No. 90/005,838, Oct. 4, 2000

**OTHER PUBLICATIONS**

**Reexamination Certificate for:**

Patent No.: **Des. 415,289**  
Issued: **Oct. 12, 1999**  
Appl. No.: **29/068,287**  
Filed: **Mar. 26, 1997**

Amstep Products Catalog Buyline 0291, Published 1991.  
American Econotread, Inc. Brochure BT93 Published 1993.

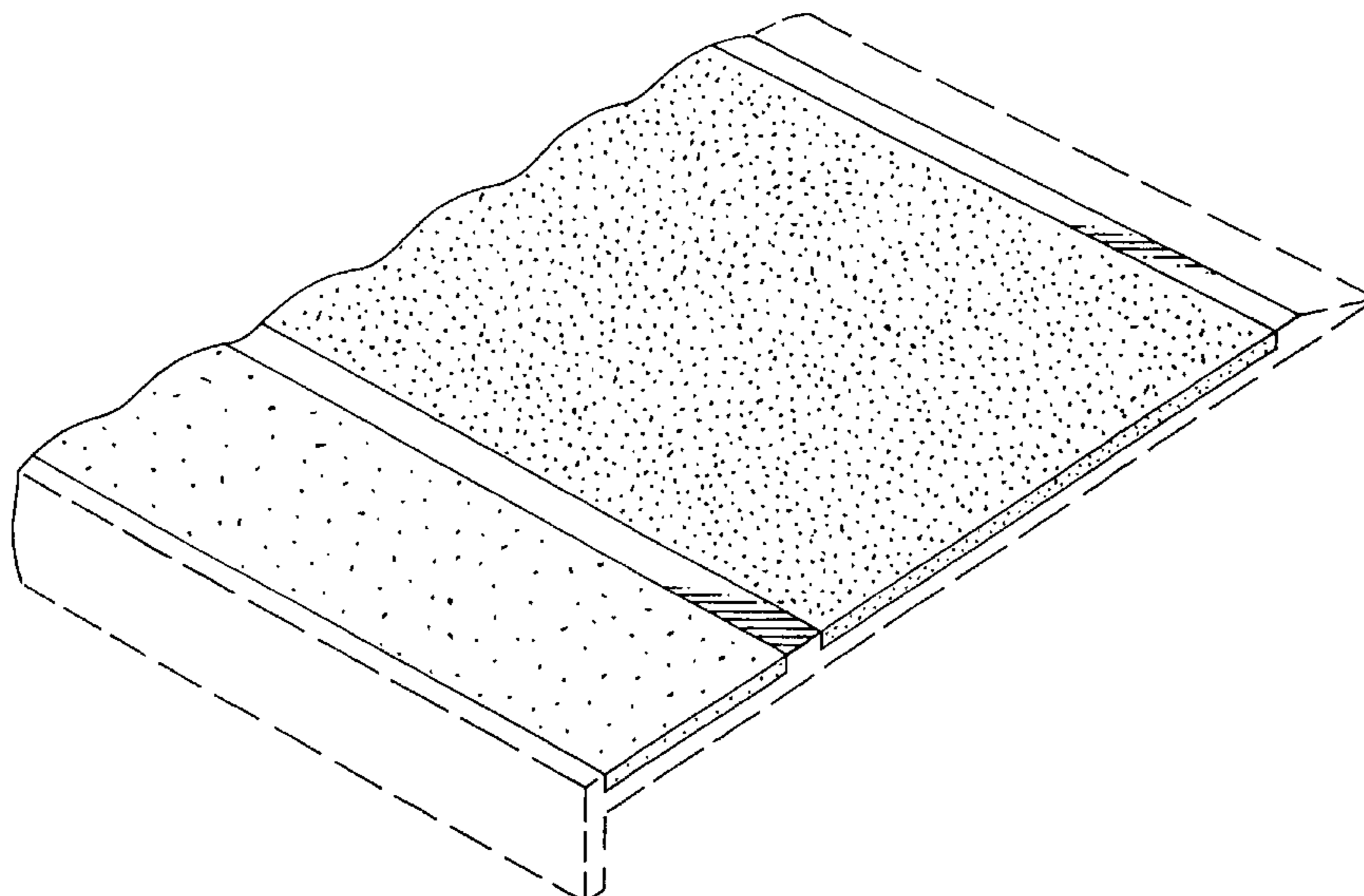
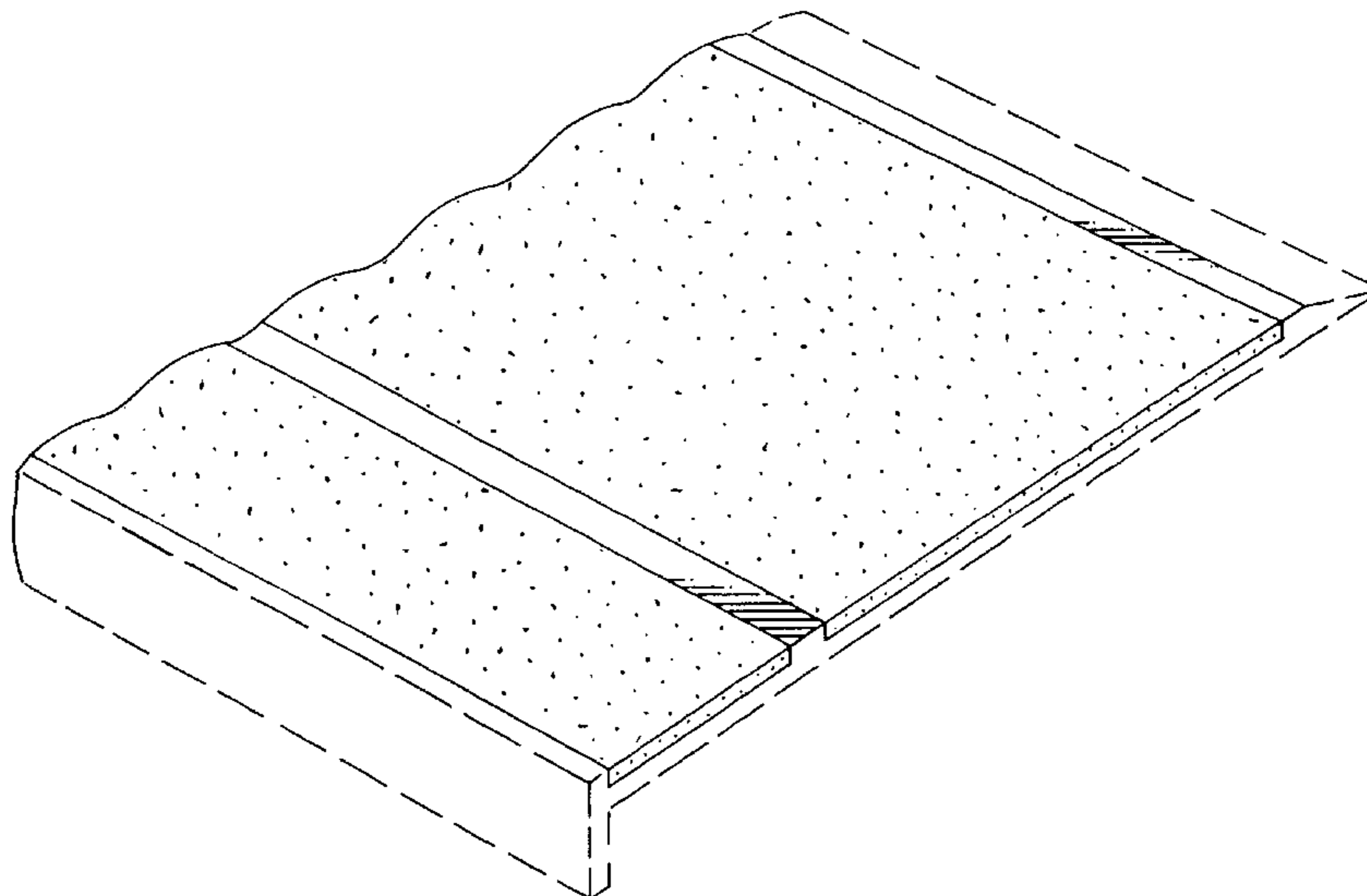
(51) **LOC (7) Cl.** ..... **25-04**

\* cited by examiner

(52) **U.S. Cl.** ..... **D25-69**

(58) **Field of Search** ..... D25/62, 63, 69;  
52/177, 179, 181, 182, 188

*Primary Examiner*—Louis S. Zarfes



**1**  
**REEXAMINATION CERTIFICATE**  
**ISSUED UNDER 35 U.S.C. 307**

**2**  
AS A RESULT OF REEXAMINATION, IT HAS BEEN  
DETERMINED THAT:

THE PATENT IS HEREBY AMENDED AS  
INDICATED BELOW.

**5** The single design claim is cancelled.

\* \* \* \* \*