



US00D415283S

United States Patent [19] Moon

[11] **Patent Number: Des. 415,283**

[45] **Date of Patent: ** Oct. 12, 1999**

[54] **MASSAGER**

[76] **Inventor: Myoung-Keon Moon, 310-802, Mogdong Apartment, 903, Mog-dong, Yangchyun-ku, Seoul, Rep. of Korea**

[**] **Term: 14 Years**

[21] **Appl. No.: 29/091,614**

[22] **Filed: Aug. 3, 1998**

[51] **LOC (6) Cl. 28-03**

[52] **U.S. Cl. D24/215; D24/214**

[58] **Field of Search D24/215, 214, D24/200; 601/46, 67, 78, 80, 93, 94, 95**

[56] **References Cited**

U.S. PATENT DOCUMENTS

D. 188,229 6/1960 Drake, Jr. D24/214
228,675 1/1941 Renga .

D. 234,725 4/1975 Yamada D24/214
D. 329,291 9/1992 Wollman D24/214
D. 329,292 9/1992 Wollman D24/214
D. 388,175 12/1997 Lie D24/215

Primary Examiner—Stella Reid

[57] **CLAIM**

The ornamental design for a massager, as shown.

DESCRIPTION

FIG. 1 is a perspective view of a massager showing my new design;
FIG. 2 is a top plan view thereof;
FIG. 3 is a bottom plan view thereof;
FIG. 4 is a front elevational view thereof;
FIG. 5 is a rear elevational view thereof;
FIG. 6 is a right side elevational view thereof; and,
FIG. 7 is a left side elevational view thereof.

1 Claim, 4 Drawing Sheets

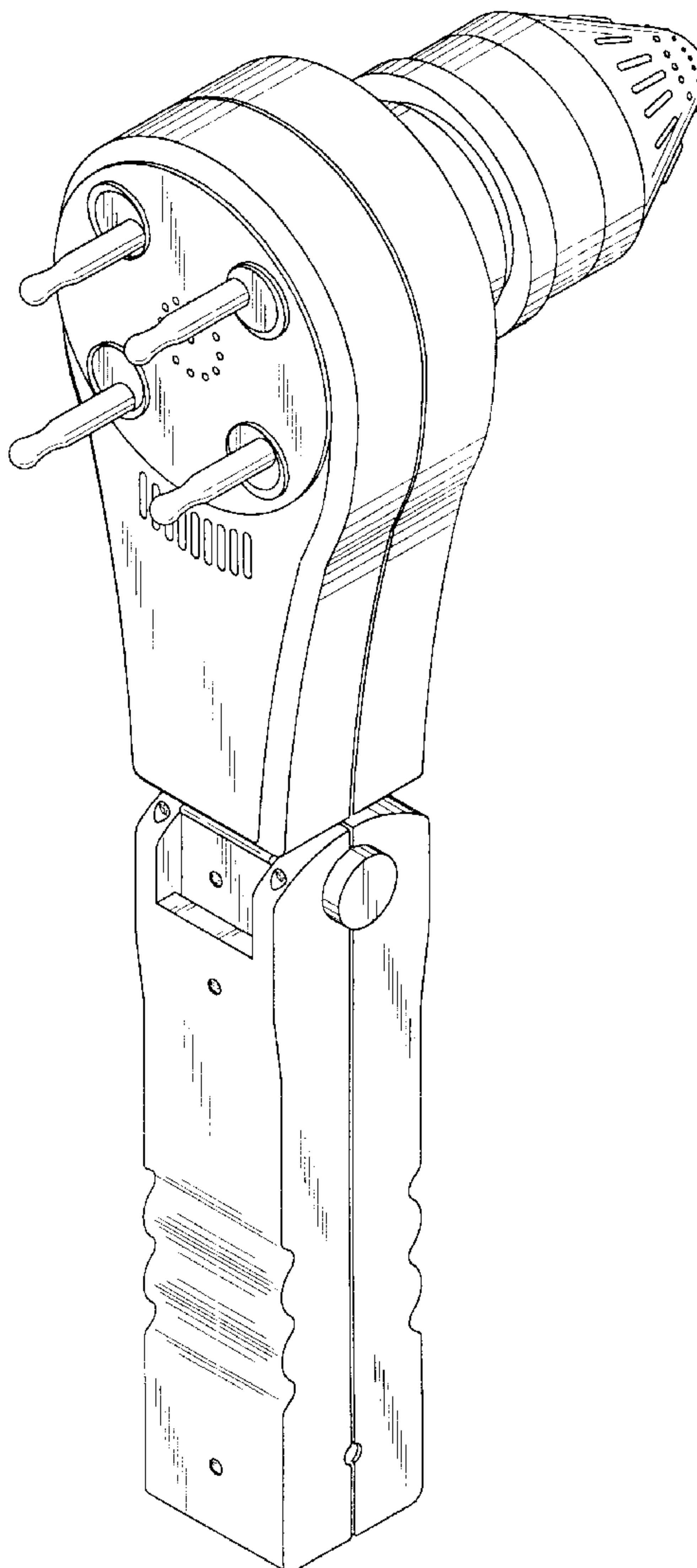


FIGURE 1

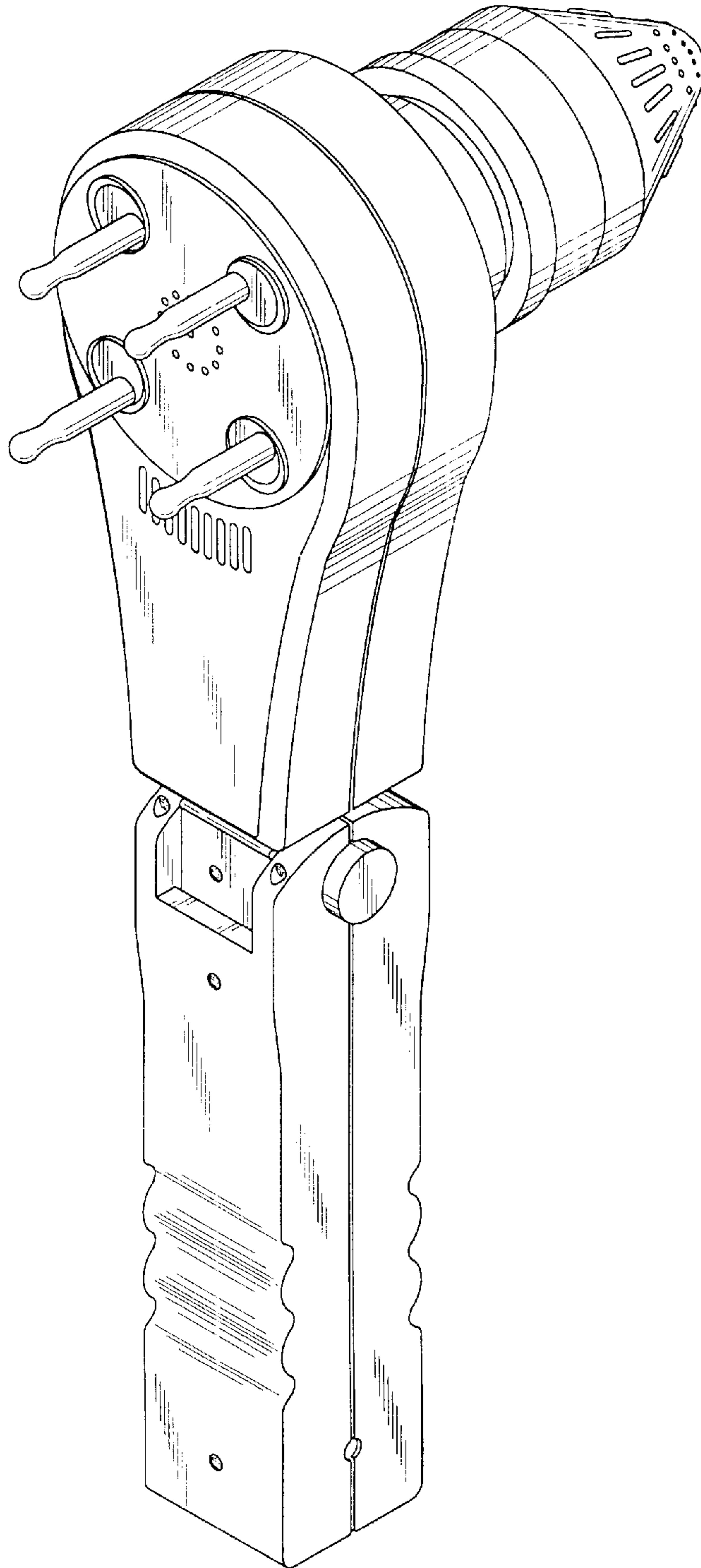


FIGURE 2

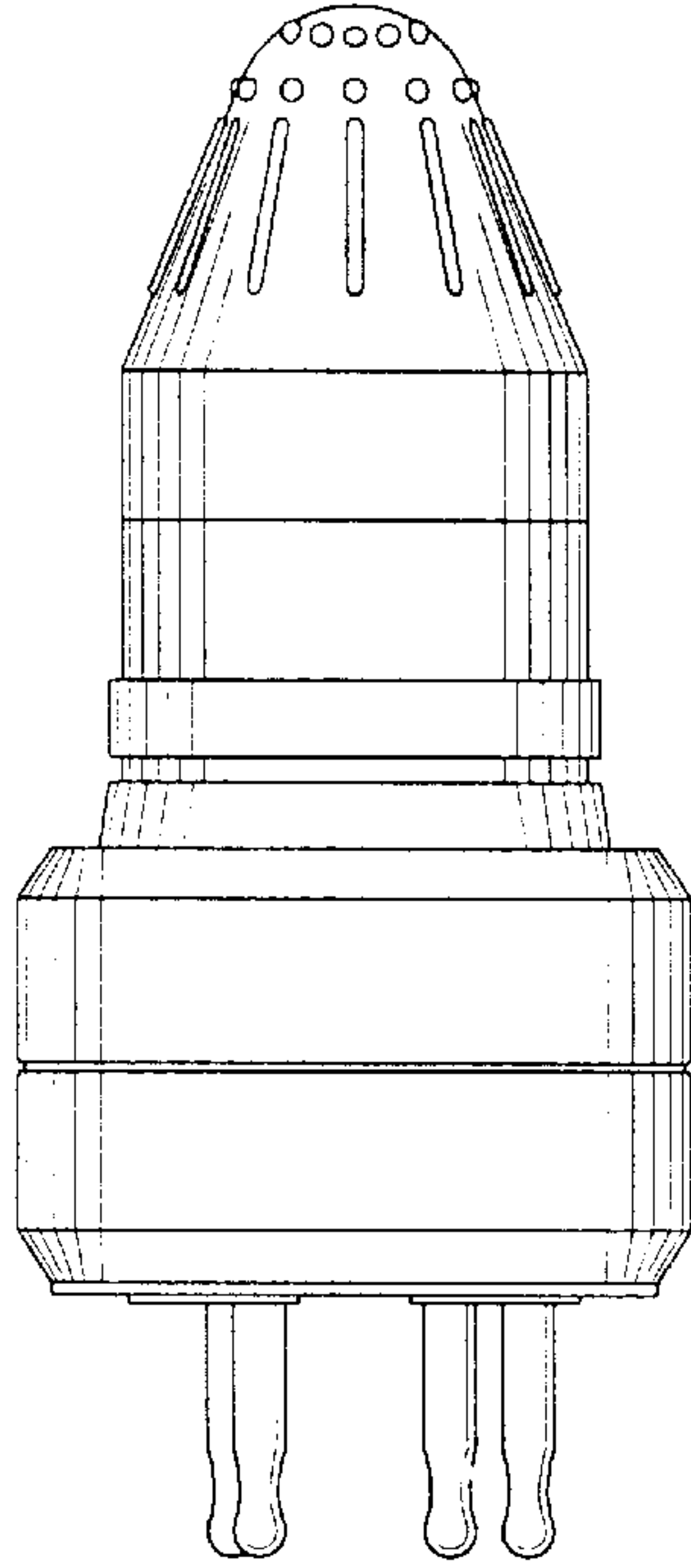


FIGURE 3

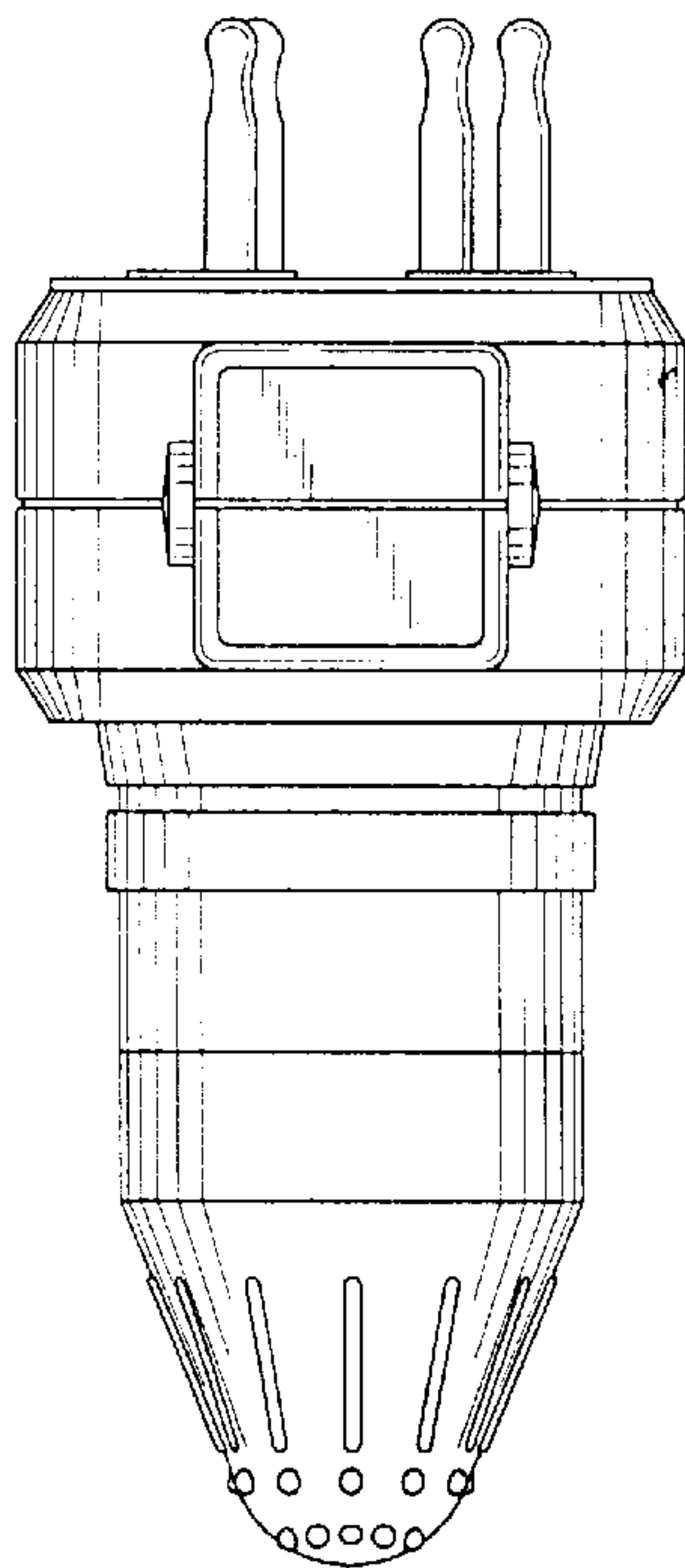


FIGURE 4

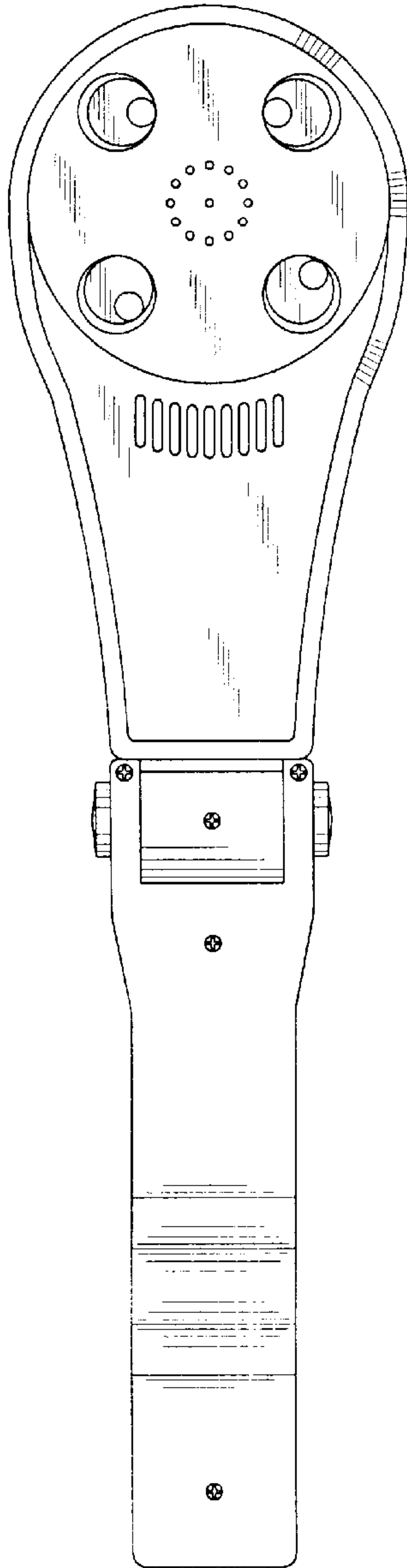


FIGURE 5

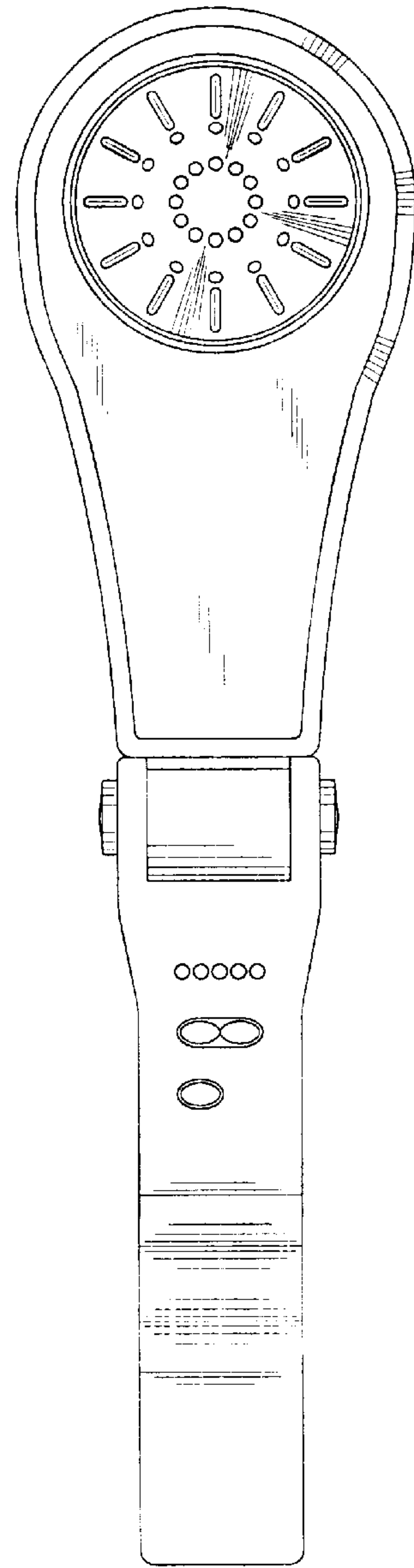


FIGURE 7

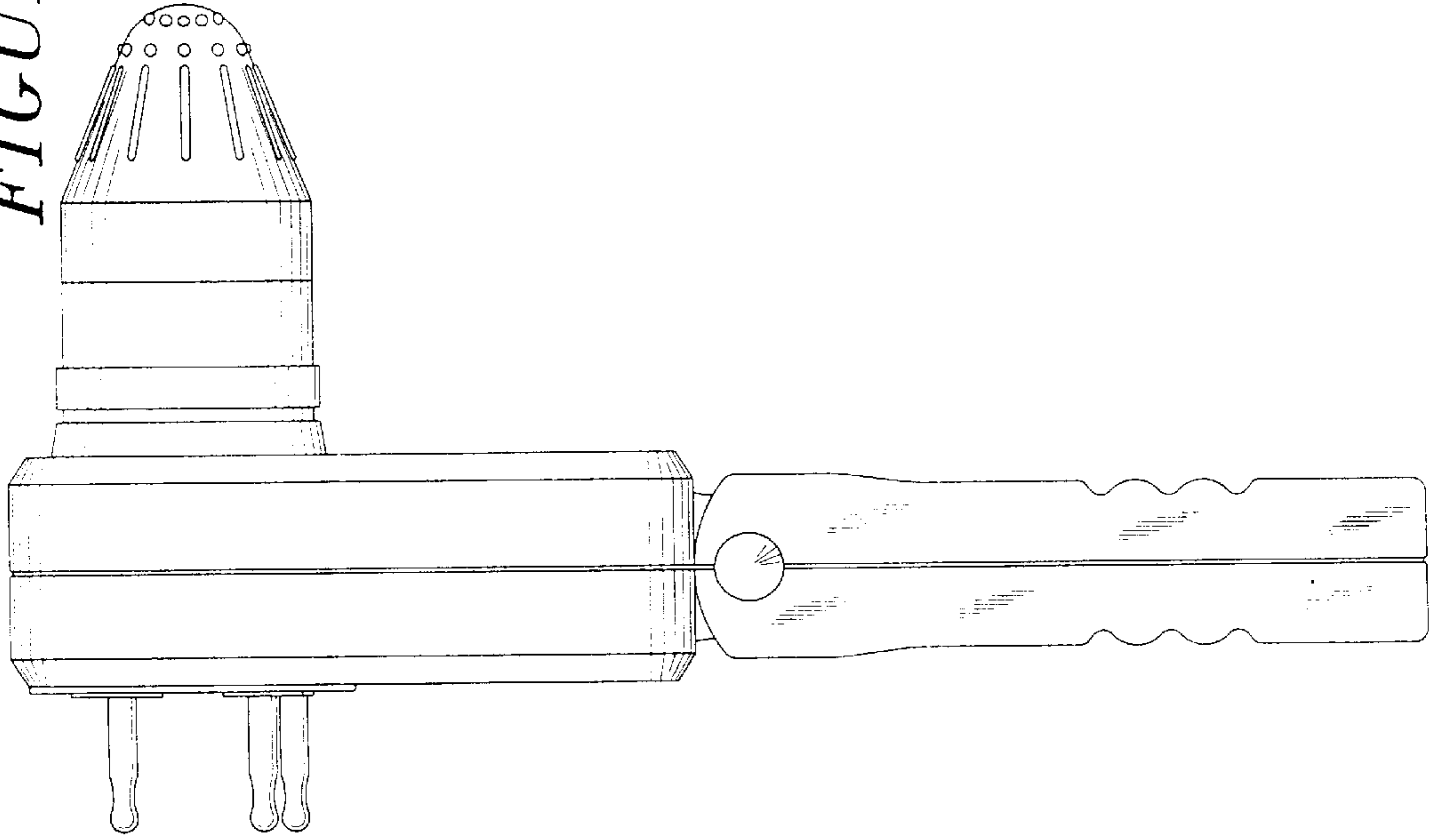


FIGURE 6

