



US00D415280S

# United States Patent [19]

Coburn et al.

[11] Patent Number: **Des. 415,280**

[45] Date of Patent: **\*\* Oct. 12, 1999**

[54] **TOOL MOUNT FOR DENTAL TOOLS**

[76] Inventors: **Donald G. Coburn**, R.R. #3,  
Collingwood, Ontario, Canada, L9Y  
3Z2; **Andrew Coburn**, 78 Creighton  
Road, Dundas, Ontario, Canada, L9H  
3B8

[\*\*] Term: **14 Years**

[21] Appl. No.: **29/093,059**

[22] Filed: **Sep. 2, 1998**

[30] **Foreign Application Priority Data**

Mar. 3, 1998 [CA] Canada ..... 1998-0467

[51] **LOC (6) Cl.** ..... **24-02**

[52] **U.S. Cl.** ..... **D24/176; D24/128**

[58] **Field of Search** ..... D24/128, 152,  
D24/156, 176, 221; 433/77, 79, 58, 54,  
61, 53; 248/309.1, 310, 312, 316.1

[56] **References Cited**

### U.S. PATENT DOCUMENTS

|            |        |                       |         |
|------------|--------|-----------------------|---------|
| D. 336,131 | 6/1993 | Nordstrom et al. .... | D24/128 |
| D. 346,657 | 5/1994 | La Plante et al. .... | D24/176 |
| D. 394,706 | 5/1998 | Pate .....            | D24/176 |

*Primary Examiner*—Doris Clark  
*Assistant Examiner*—I Simmons

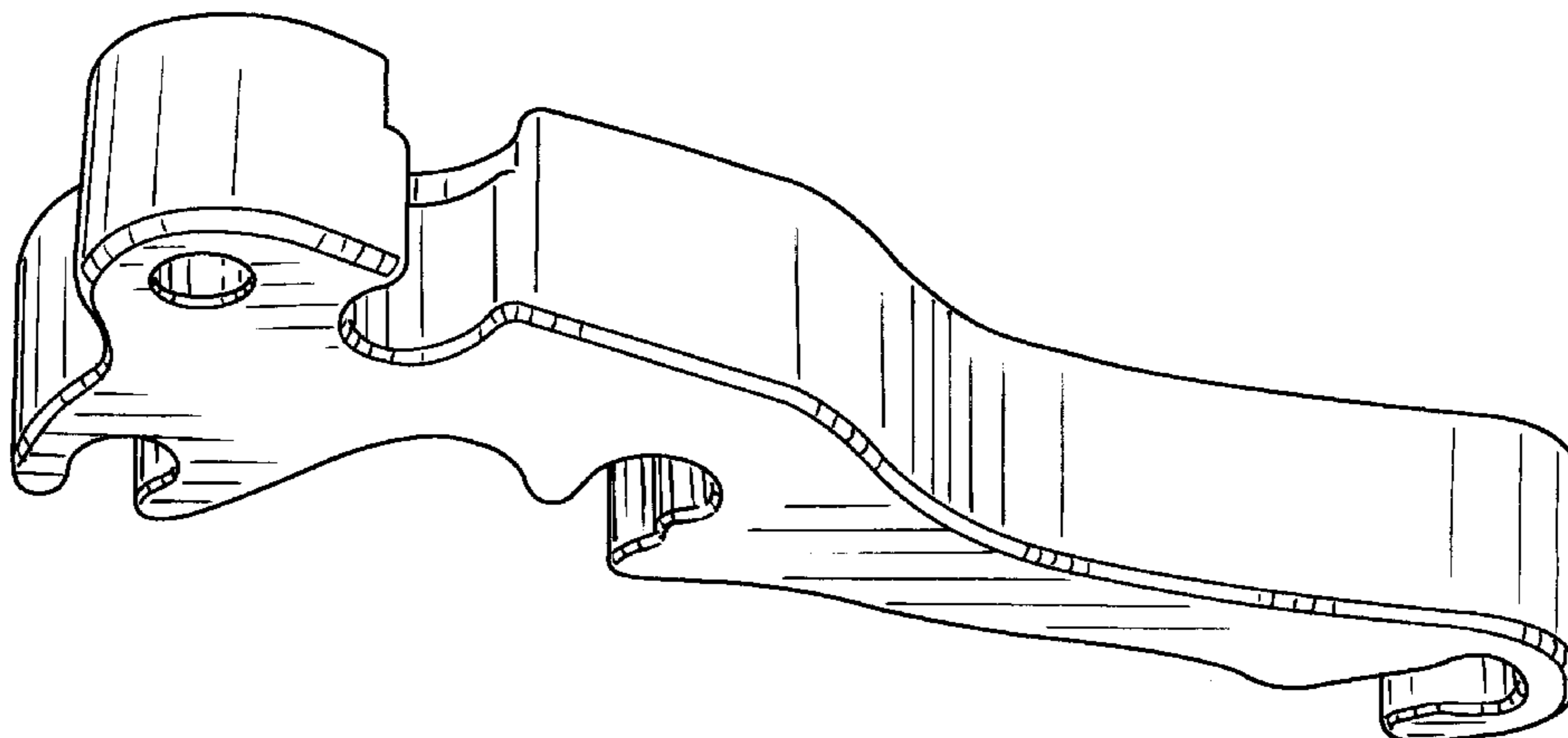
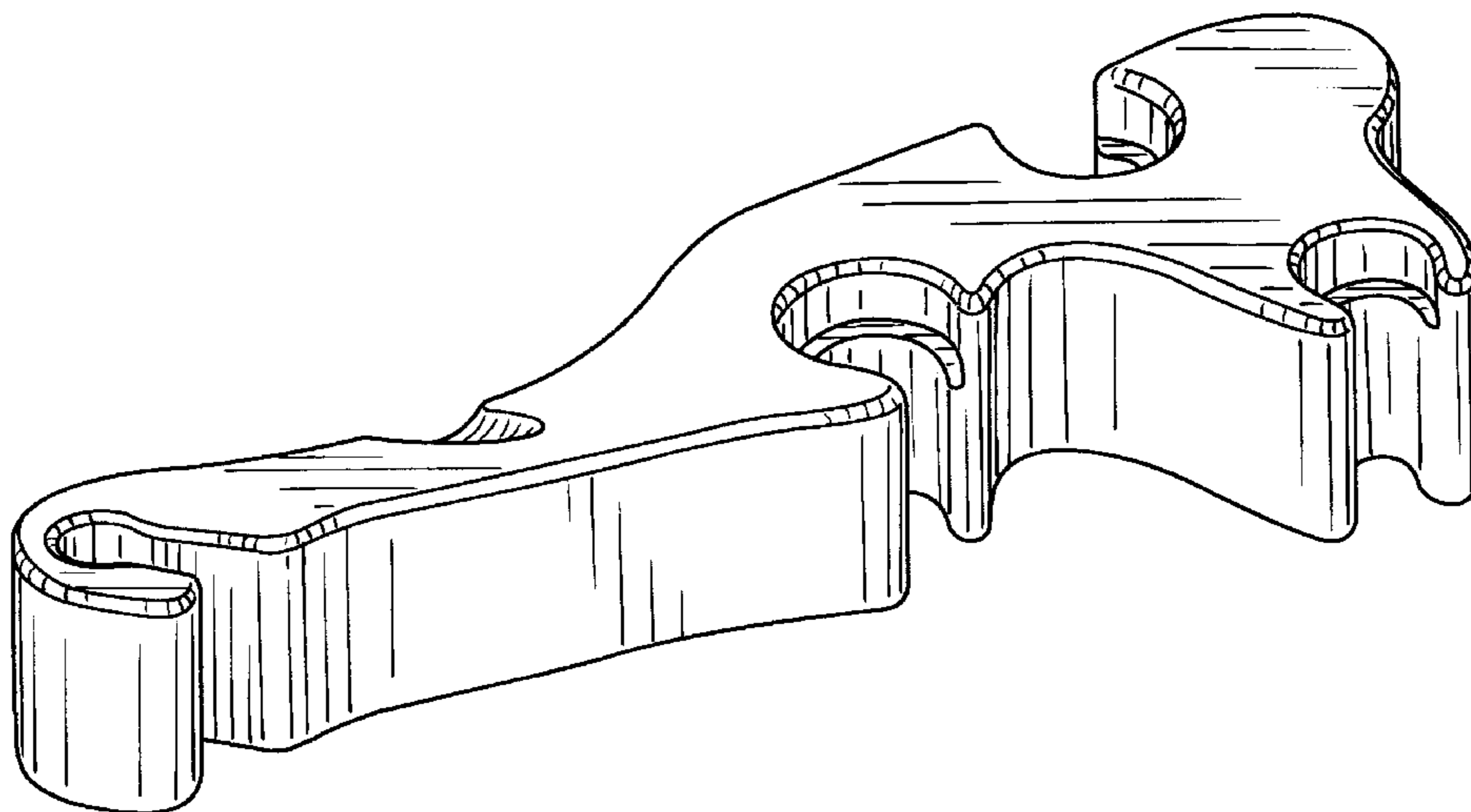
[57] **CLAIM**

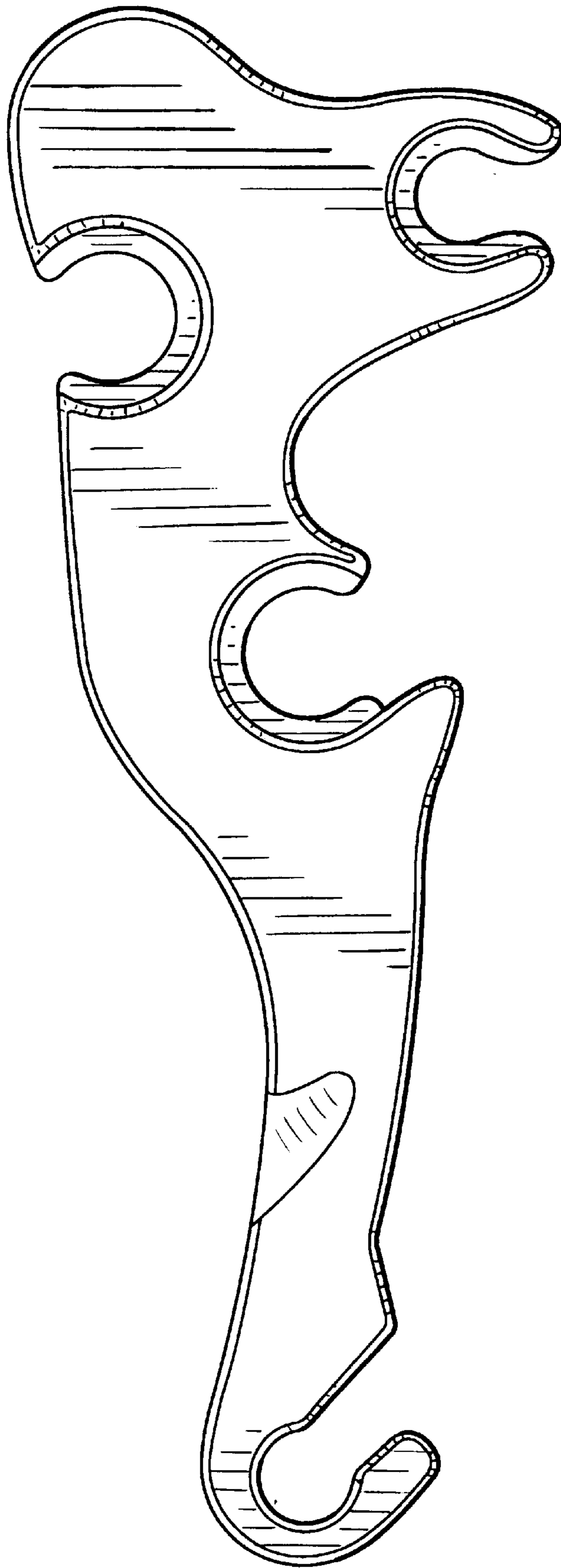
The ornamental design for a tool mount for dental tools, as shown and described.

### DESCRIPTION

FIG. 1 is a top plan view of a tool mount showing our new design;  
FIG. 2 is a top and right side perspective view thereof; and,  
FIG. 3 is a bottom and left side perspective view thereof.

**1 Claim, 2 Drawing Sheets**





**FIG. 1**

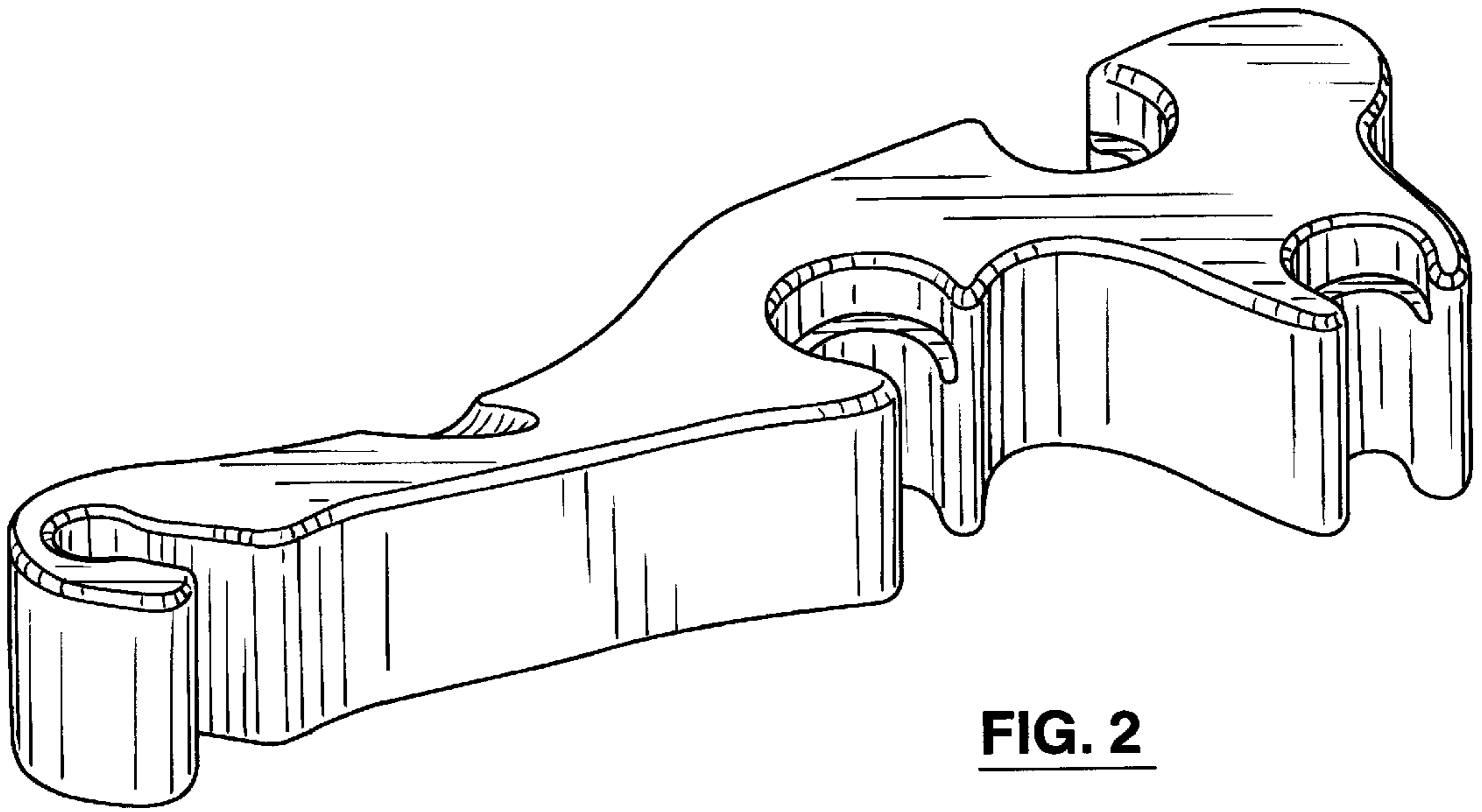


FIG. 2

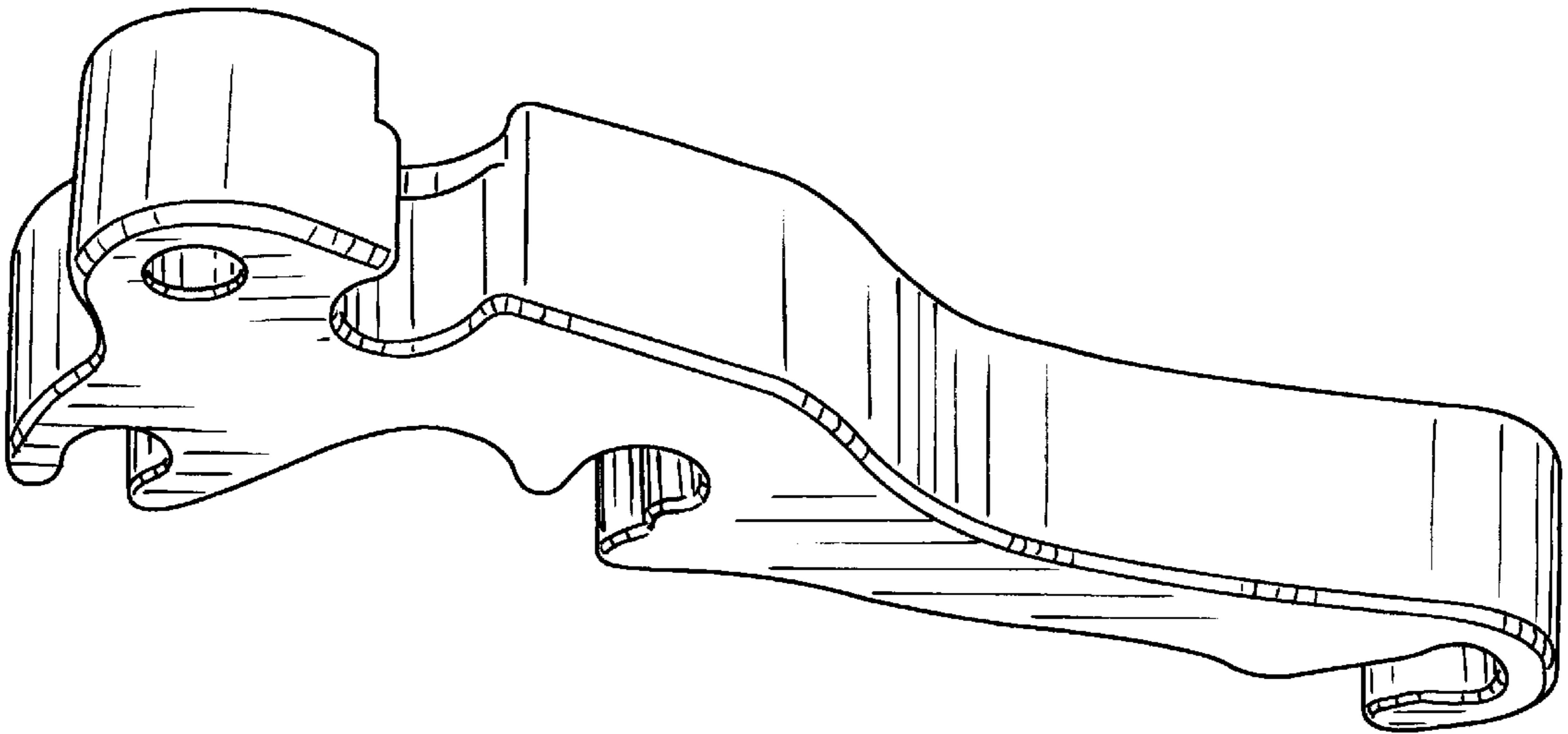


FIG. 3