



US00D415278S

# United States Patent [19] Bowman

[11] **Patent Number: Des. 415,278**

[45] **Date of Patent: \*\* Oct. 12, 1999**

[54] **HYPERBARIC THERAPY UNIT**

[75] Inventor: **Mark Bowman**, Aberdeen, United Kingdom

[73] Assignee: **Hyox Systems Limited**, Aberdeen, United Kingdom

[\*\*] Term: **14 Years**

[21] Appl. No.: **29/042,990**

[22] Filed: **Aug. 22, 1995**

[30] **Foreign Application Priority Data**

Mar. 31, 1995 [GB] United Kingdom ..... 2046388

[51] **LOC (6) Cl.** ..... **24-01**

[52] **U.S. Cl.** ..... **D24/164**

[58] **Field of Search** ..... D24/164; 128/202.12, 128/205.26, 204.18, 200.24

[56] **References Cited**

**U.S. PATENT DOCUMENTS**

D. 346,864	5/1994	Reneau	.....	D24/164
4,467,798	8/1984	Saxon et al.	.....	128/202.12 X
5,060,644	10/1991	Loori	.....	128/205.26 X
5,327,904	7/1994	Hannum	.....	128/202.12 X

**FOREIGN PATENT DOCUMENTS**

1019986	5/1984	United Kingdom .
2046388	3/1995	United Kingdom .

**OTHER PUBLICATIONS**

Sechrist Industries, Inc., 2820 Gretta Lane, Anaheim, California 92806. Model 2500B—Data Sheet. Date of reference unknown.

Environment Tectomics Corp., Country Line Industrial Park, Southampton, PA 18966. Model—Bara Med—Data sheet. Date of reference unknown.

Perry Baromedical Services, 275 W. 10th Street, Riviera Beach, FL. 33404. Model—Sigma II—Data sheet of Sigma II. Date of reference unknown.

*Primary Examiner*—Stella Reid

*Attorney, Agent, or Firm*—John F. A. Earley; John F. A. Earley, III; Harding, Earley, Follmer & Frailey

[57] **CLAIM**

The ornamental design for a hyperbaric therapy unit, as shown.

**DESCRIPTION**

FIG. 1 is an end view of a hyperbaric therapy unit embodying the new design;

FIG. 2 is an end view of the hyperbaric therapy unit shown in FIG. 1 in an alternative condition;

FIG. 3 is a side view of the hyperbaric therapy unit shown in FIG. 1;

FIG. 4 is a side view of the hyperbaric therapy unit shown in FIG. 1 in an alternative condition;

FIG. 5 is a plan view of the hyperbaric therapy unit shown in FIG. 1;

FIG. 6 is a plan view of the hyperbaric therapy unit shown in FIG. 1 in an alternative condition;

FIG. 7 is an isometric view of the hyperbaric therapy unit shown in FIG. 1; and

FIG. 8 is an isometric view of the hyperbaric therapy unit shown in FIG. 1 in an alternative condition.

FIG. 9 is an end view of the hyperbaric therapy unit embodying the new design from the opposite end of FIG. 1; and,

FIG. 10 is a side view of the hyperbaric therapy unit embodying the new design shown from the opposite side of FIG. 3.

**1 Claim, 5 Drawing Sheets**

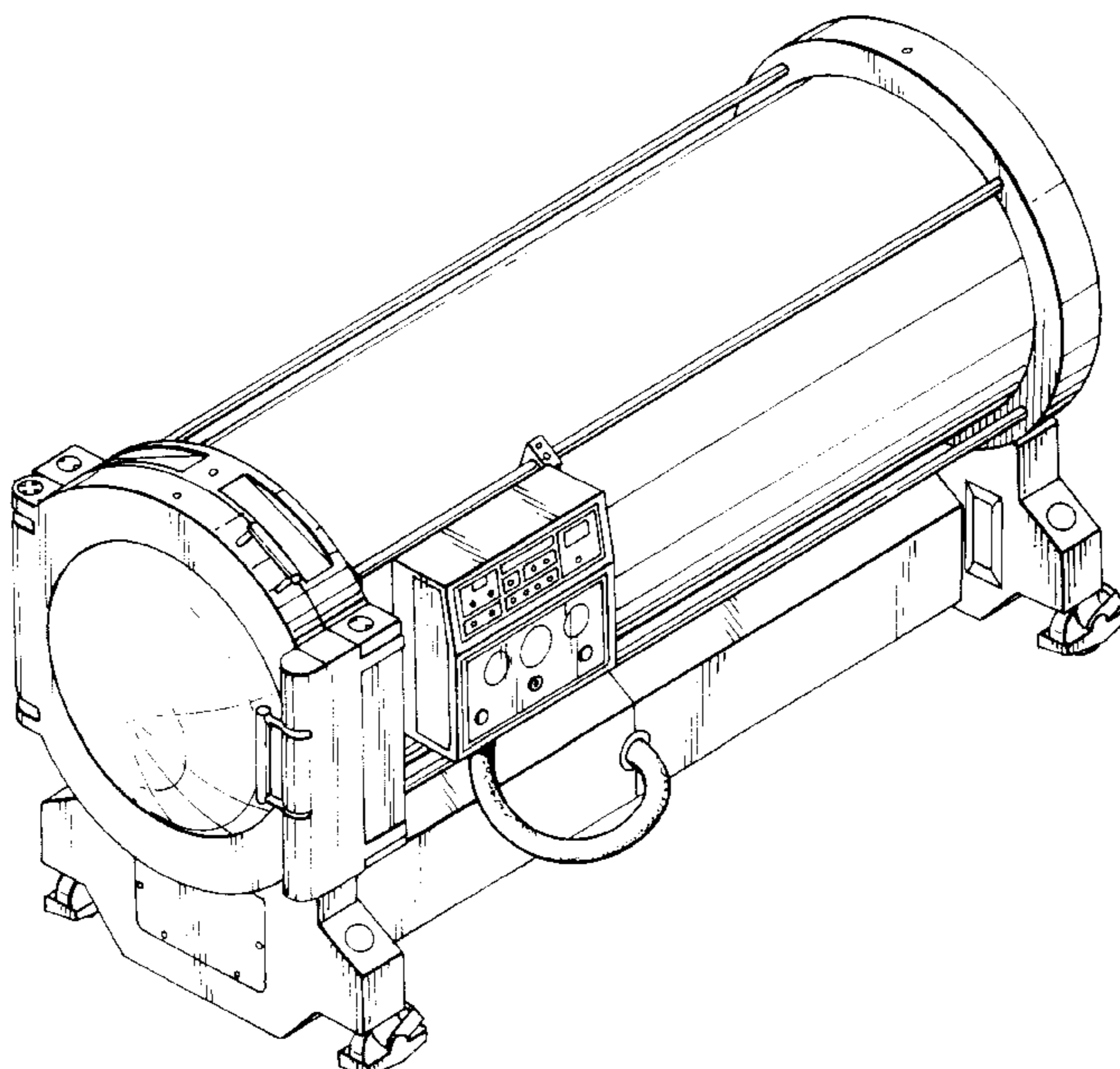


Fig. 1.

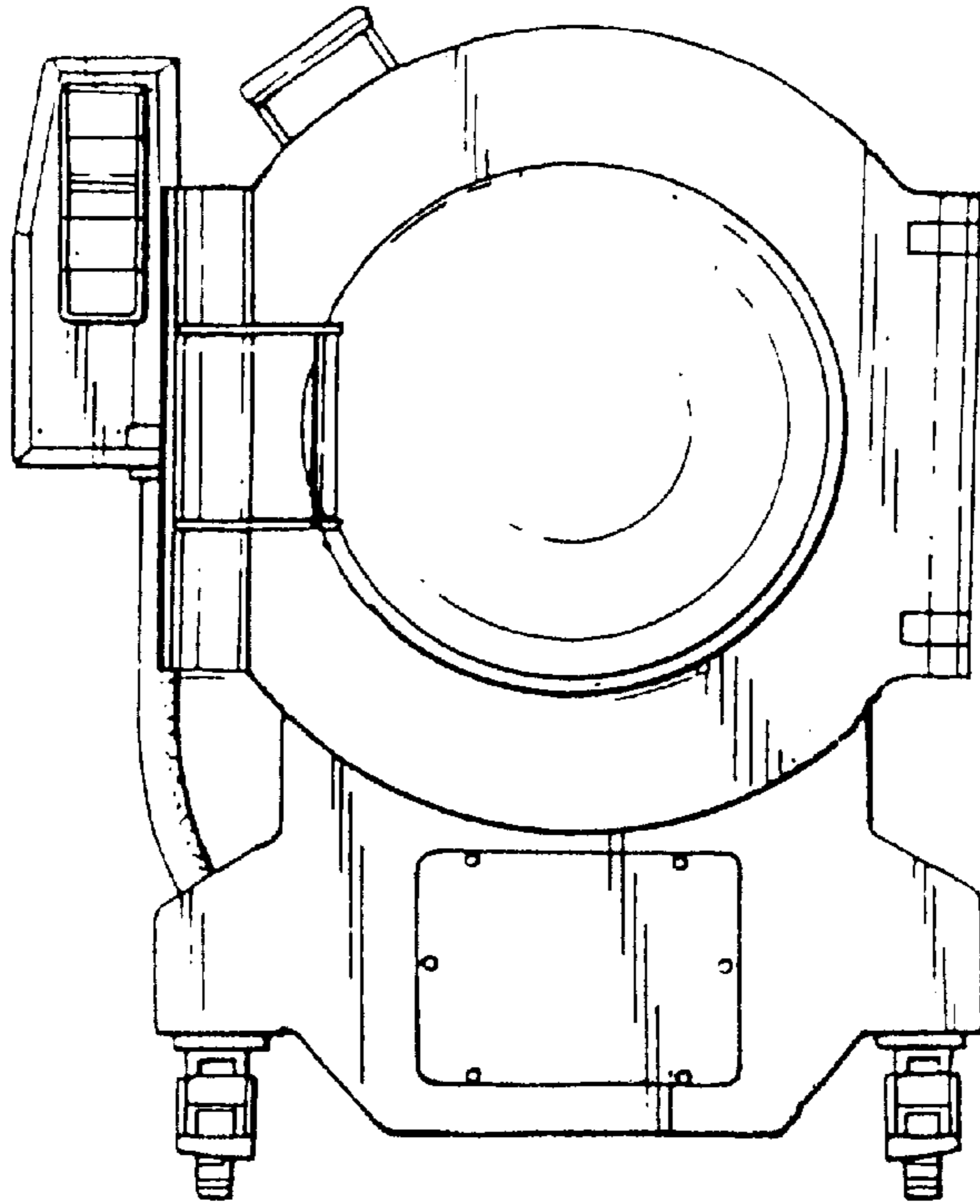


Fig. 2.

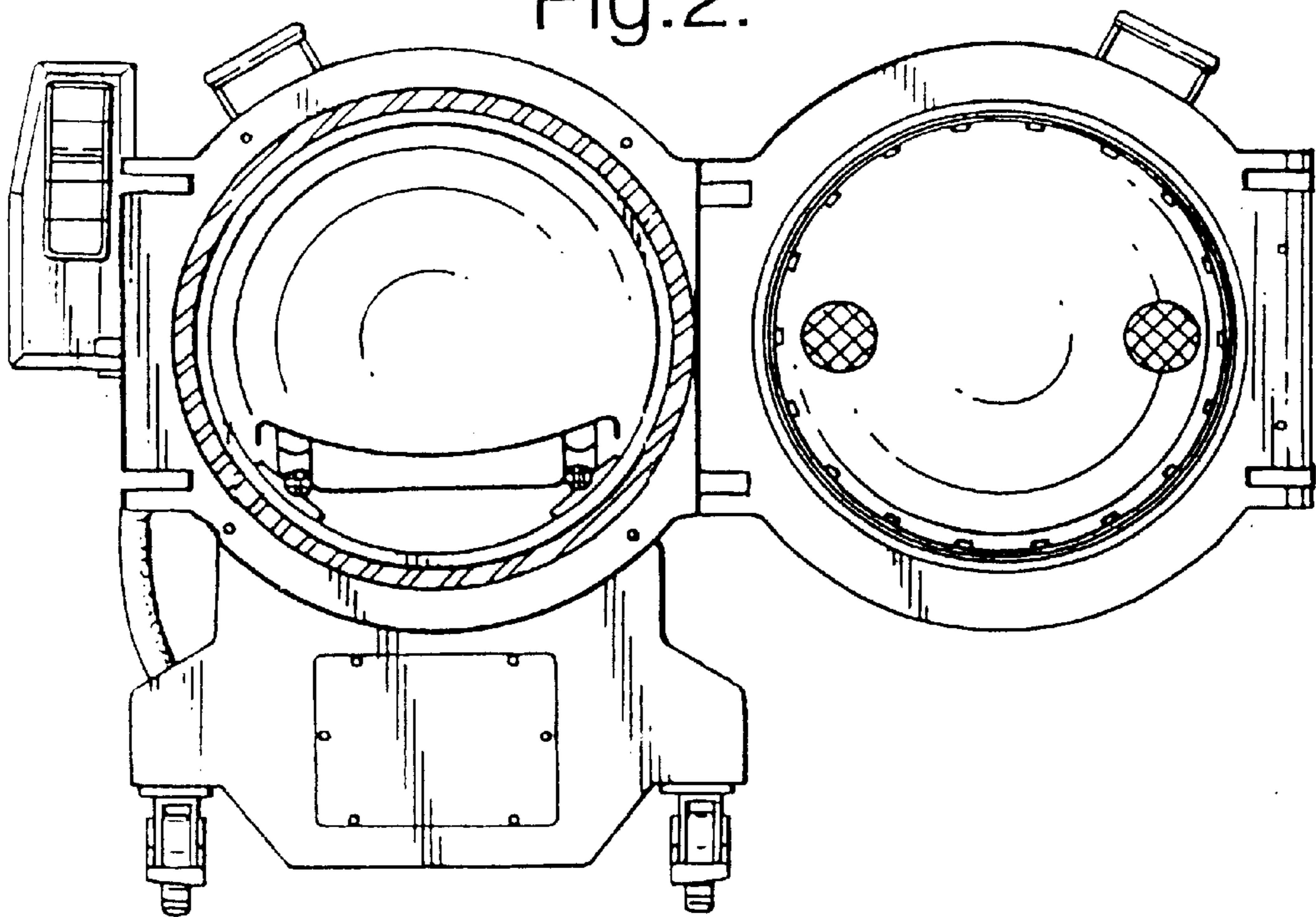


Fig.3.

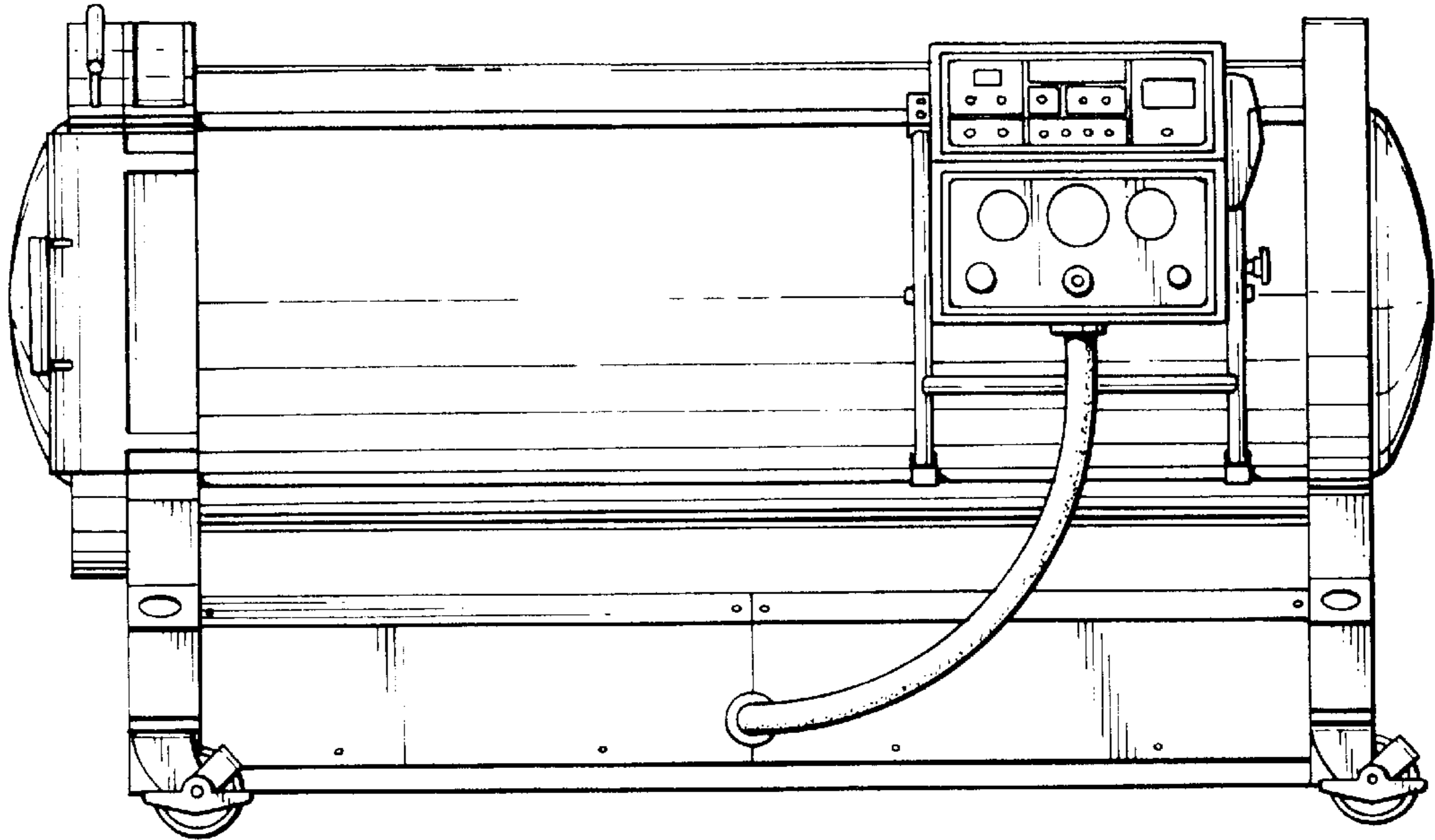


Fig.4.

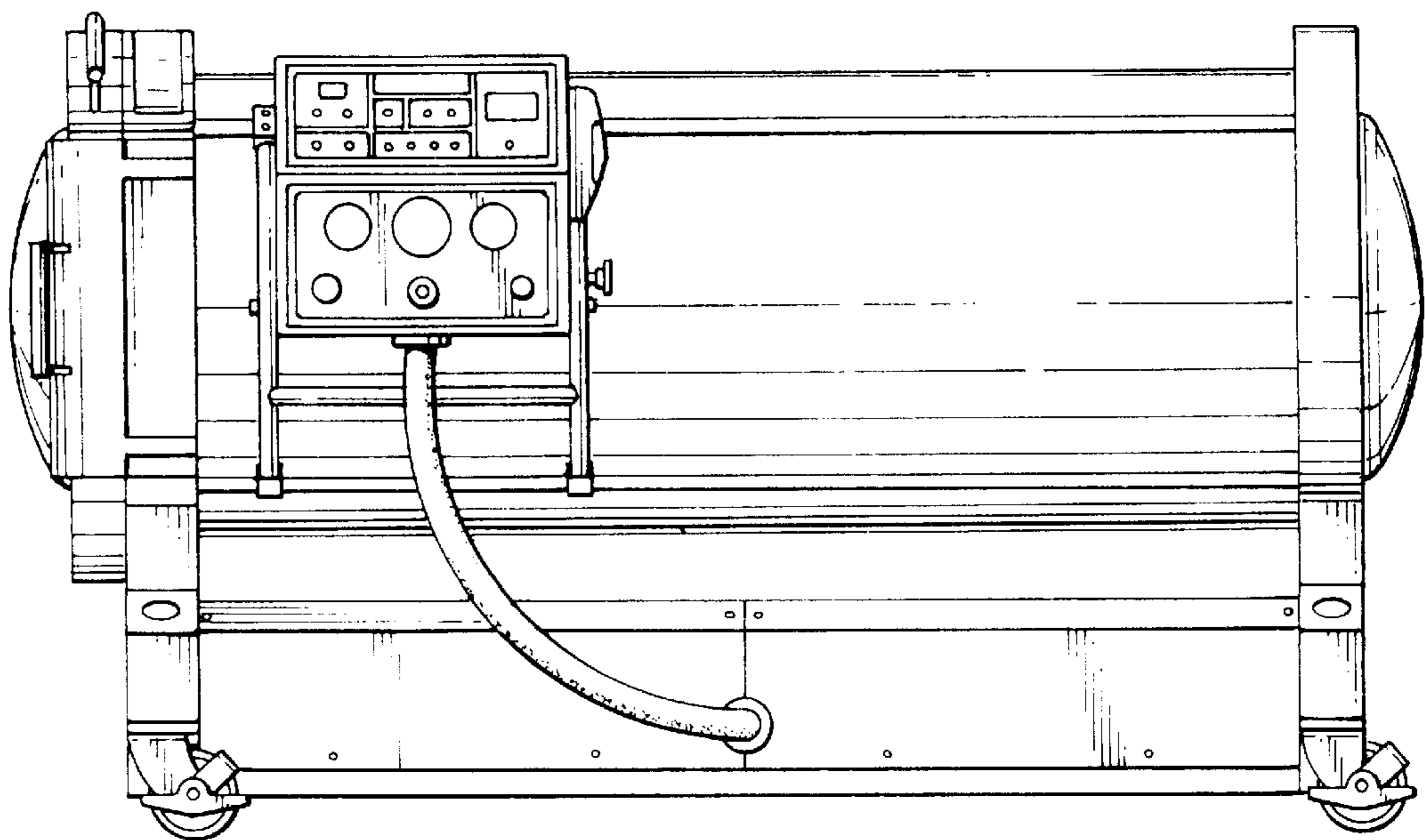


Fig.5.

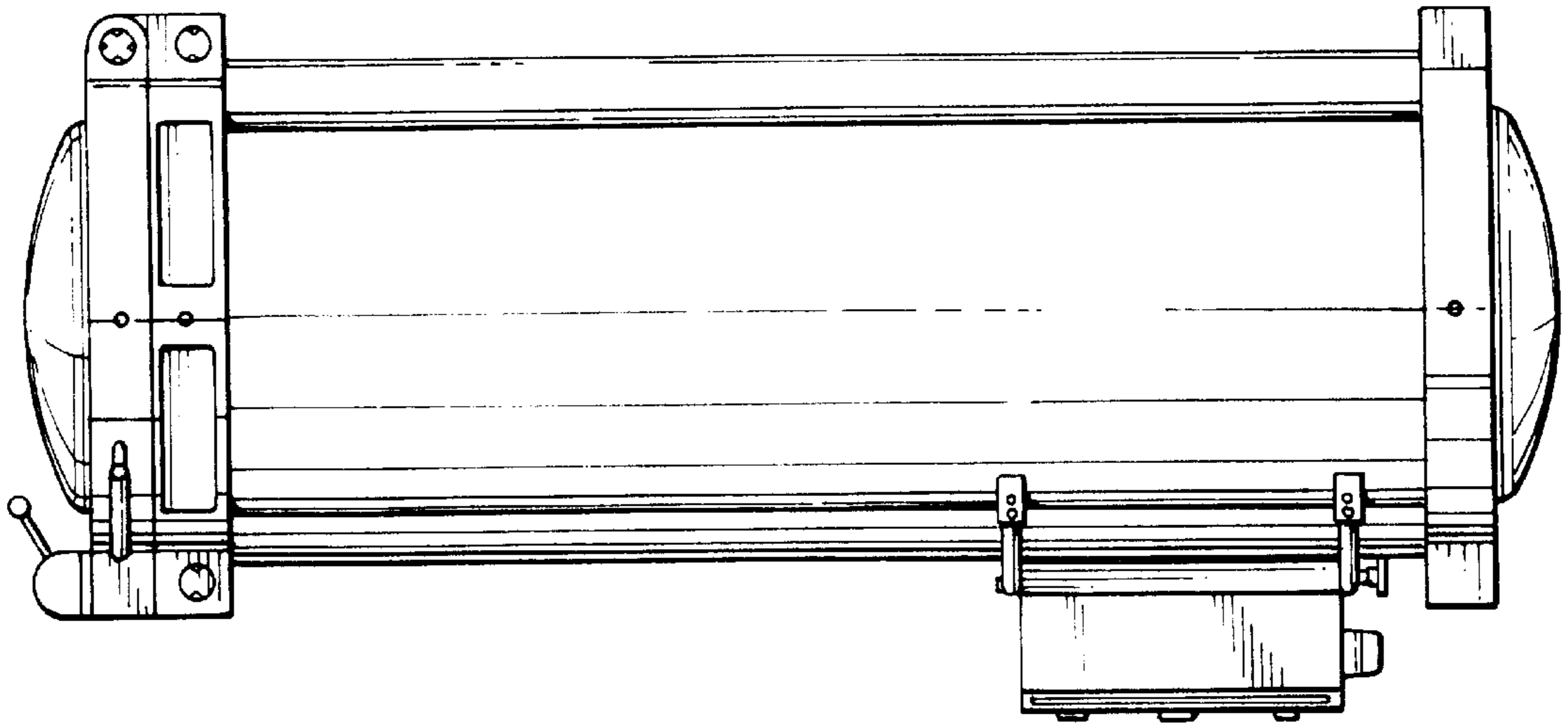


Fig.6.

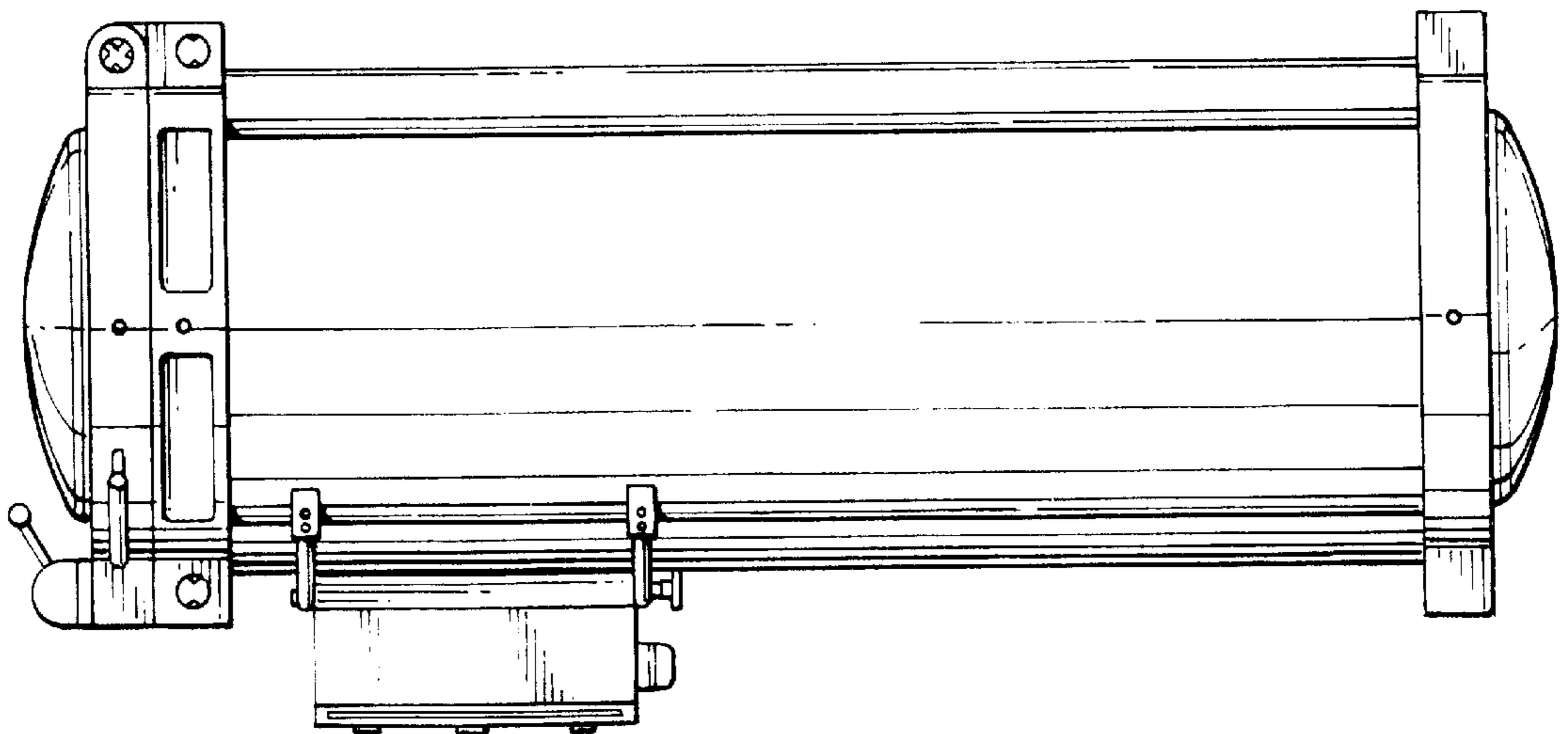


Fig.7.

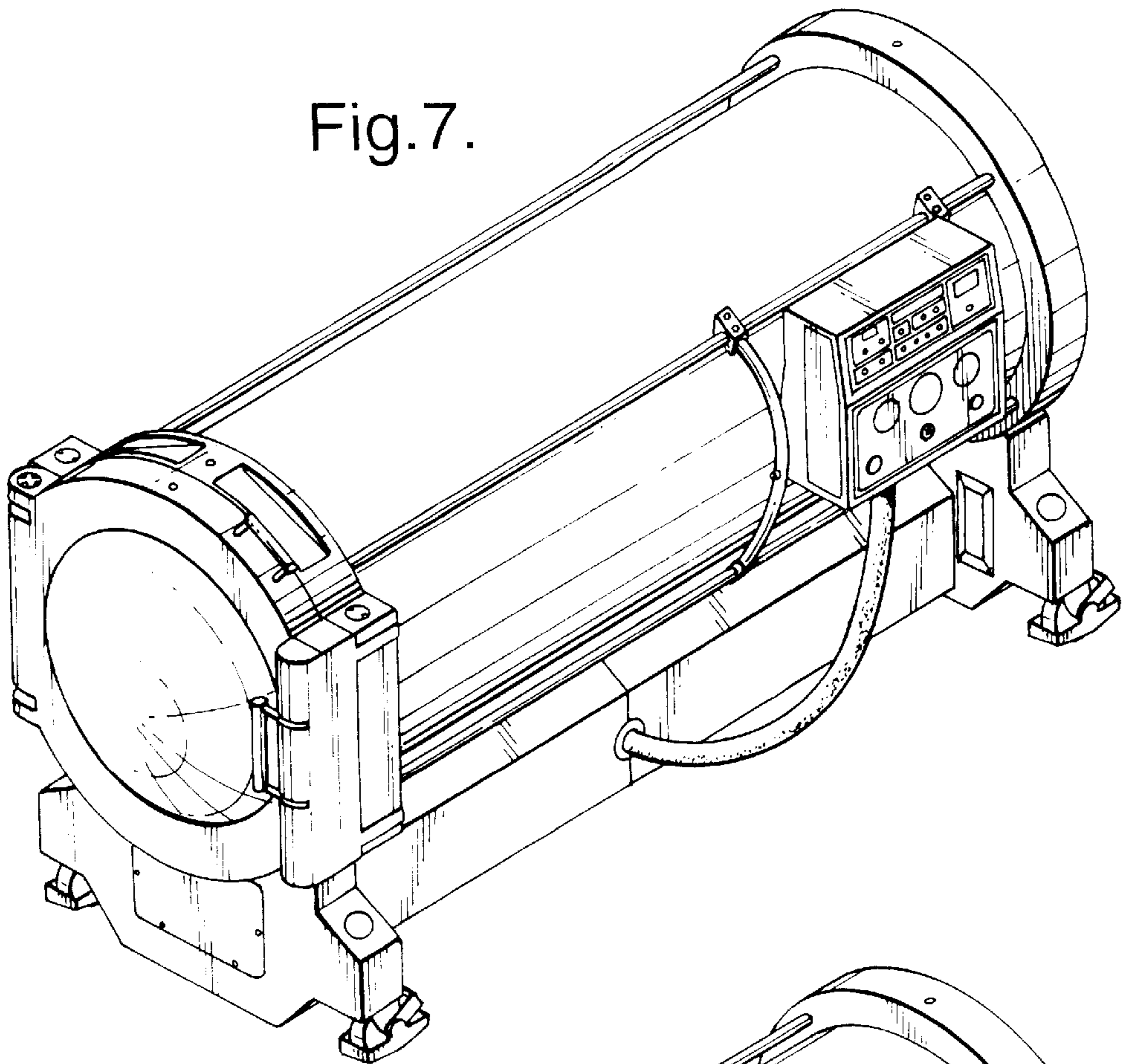


Fig.8.

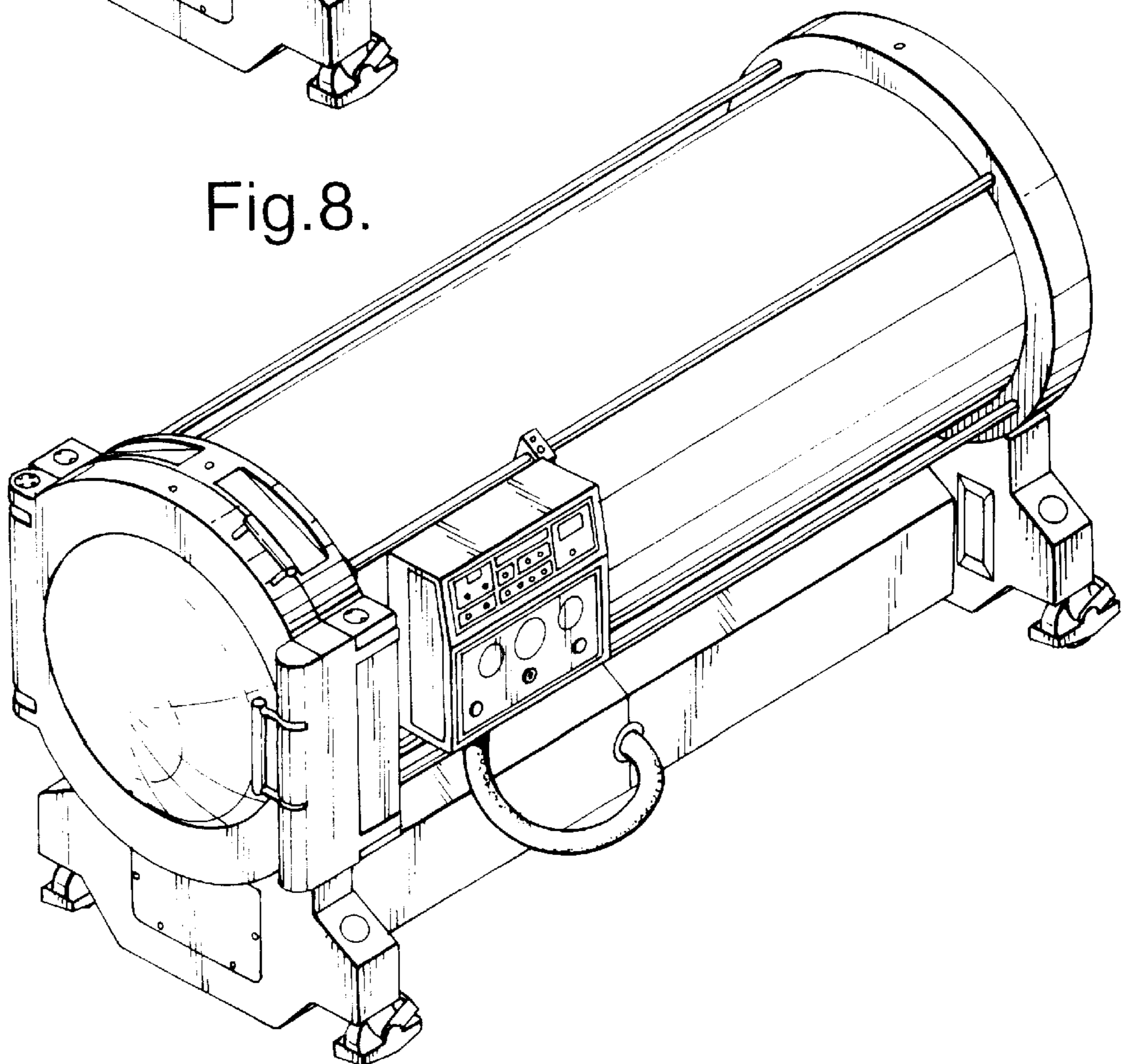


Fig.9.

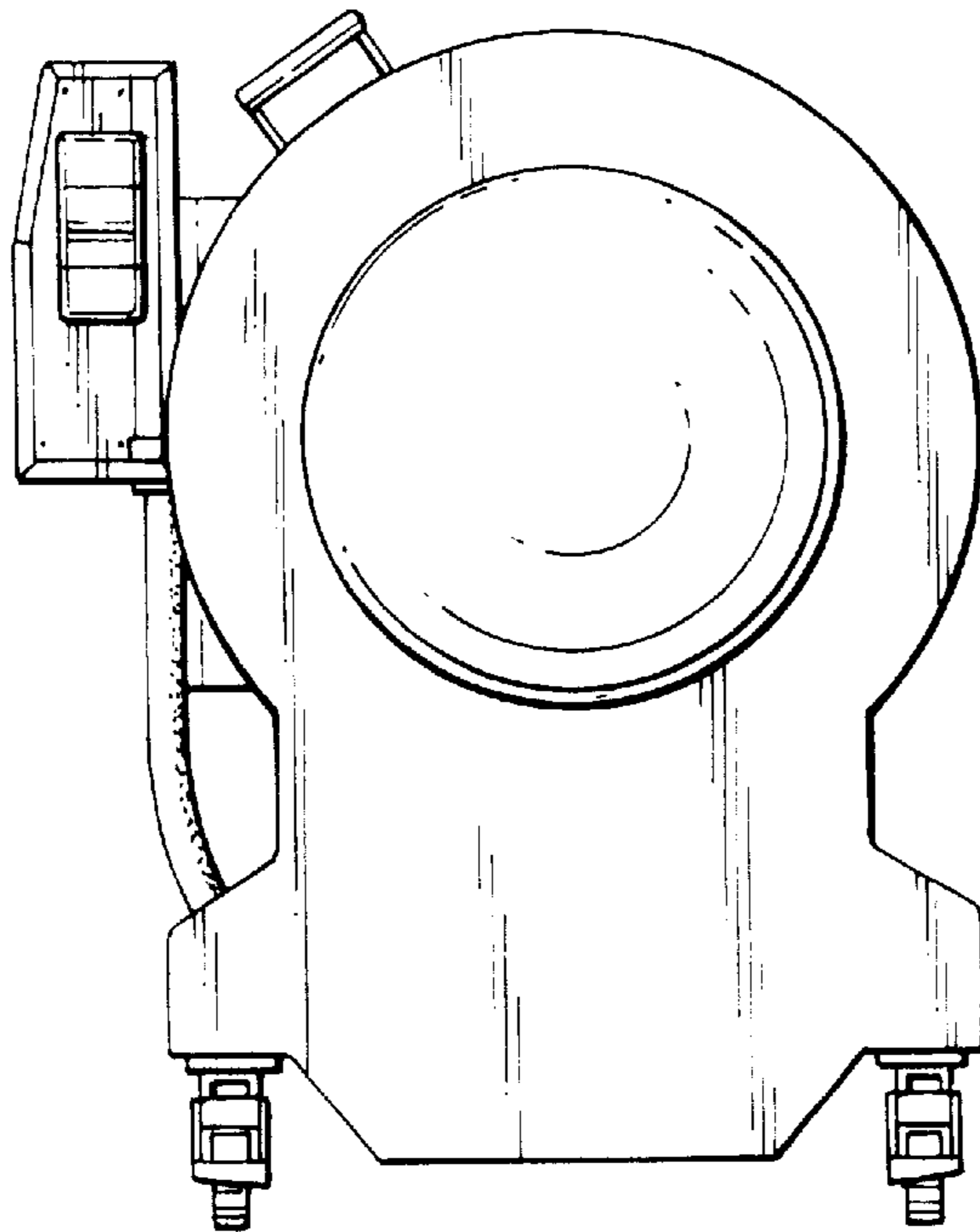


Fig.10.

