



US00D415276S

United States Patent [19]
Bell

[11] **Patent Number: Des. 415,276**

[45] **Date of Patent: ** Oct. 12, 1999**

[54] **SUTURE REMOVAL TOOL**

[76] Inventor: **Brent J. Bell**, 5770 Kittery Dr.,
Colorado Springs, Colo. 80911

[**] Term: **14 Years**

[21] Appl. No.: **29/085,041**

[22] Filed: **Mar. 16, 1998**

[51] **LOC (6) Cl.** **24-02**

[52] **U.S. Cl.** **D24/147; D24/143; D24/146;**
D28/55

[58] **Field of Search** D24/143, 147,
D24/146, 145, 149, 154; D28/55; 606/138,
205, 210, 211, 139

[56] **References Cited**

U.S. PATENT DOCUMENTS

D. 221,707 8/1971 Shannon D24/143
3,140,715 7/1964 Whitton, Jr. et al. 606/210
3,648,702 3/1972 Bean D24/143 X

4,034,473 7/1977 May 606/138 X
4,053,979 10/1977 Tuthill et al. D24/147 X
5,047,037 9/1991 Brandfield 606/138

Primary Examiner—Louis S. Zarfes
Assistant Examiner—I. Simmons
Attorney, Agent, or Firm—James F. Cottone

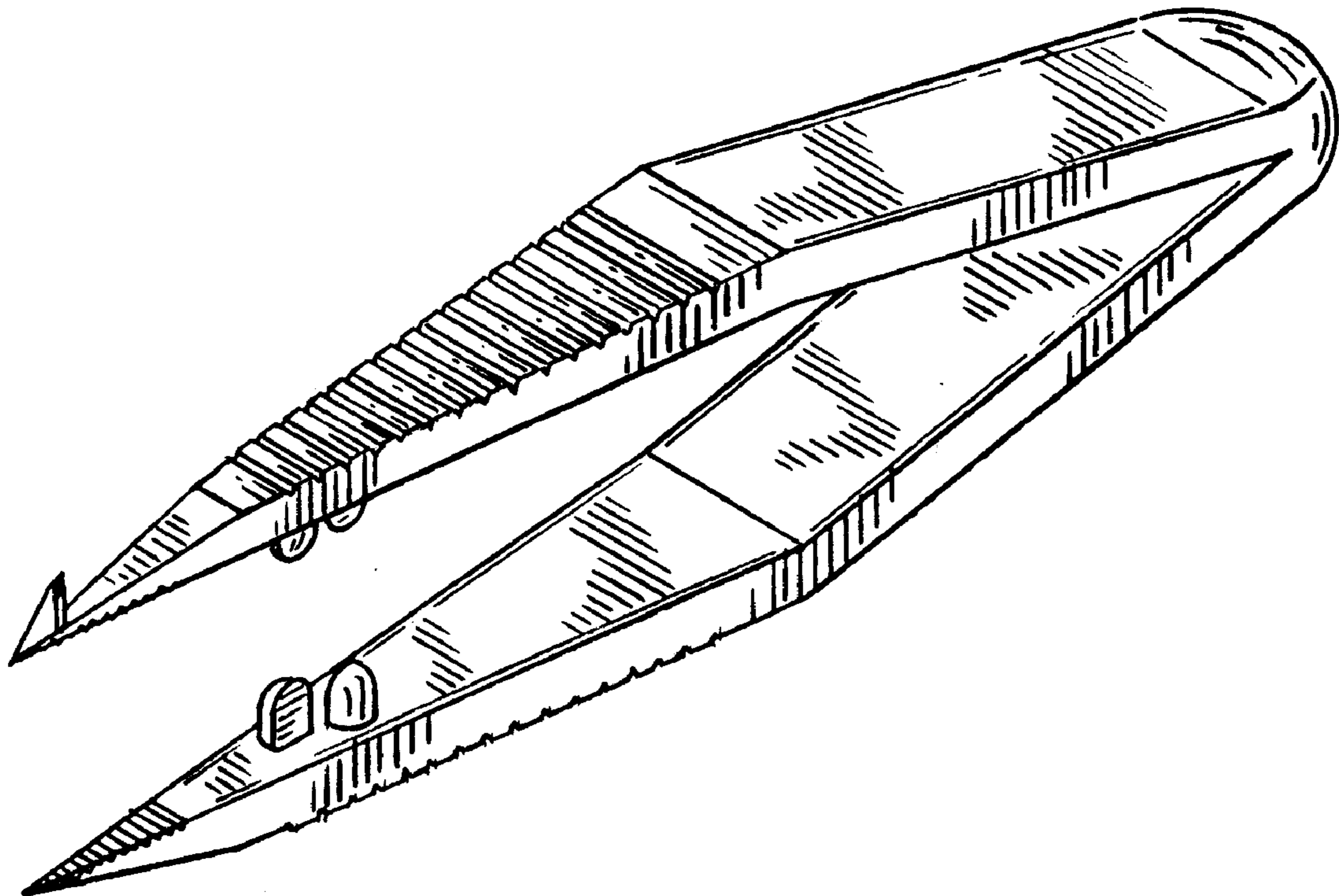
[57] **CLAIM**

The ornamental design for a suture removal tool, as shown and described.

DESCRIPTION

FIG. 1 is a perspective view taken from the top, front, and left side of my suture removal tool showing my new design; FIG. 2 is a right side elevational view thereof; FIG. 3 is a top plan view thereof; FIG. 4 is a bottom plan view thereof; FIG. 5 is a rear elevational view thereof; and, FIG. 6 is a front elevational view thereof.

1 Claim, 1 Drawing Sheet



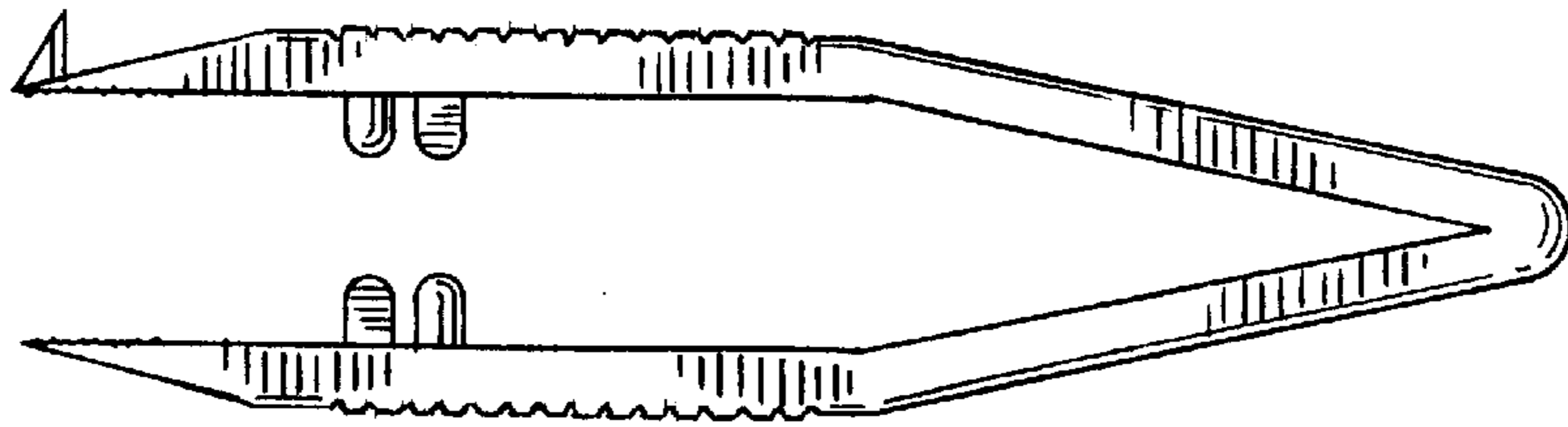


FIG. 2

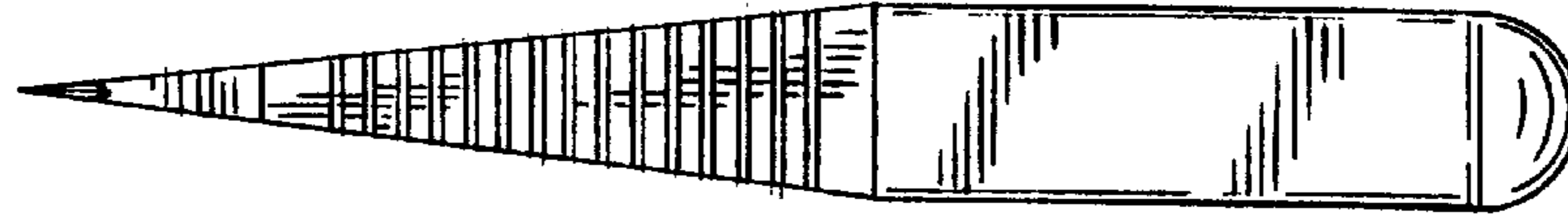


FIG. 3

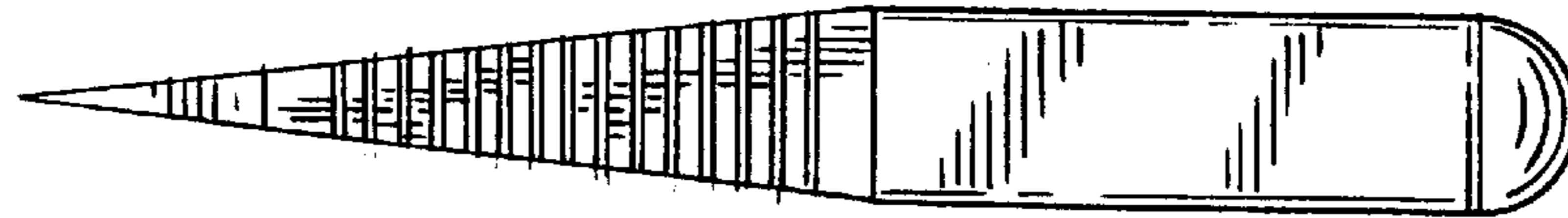


FIG. 4



FIG. 5



FIG. 6

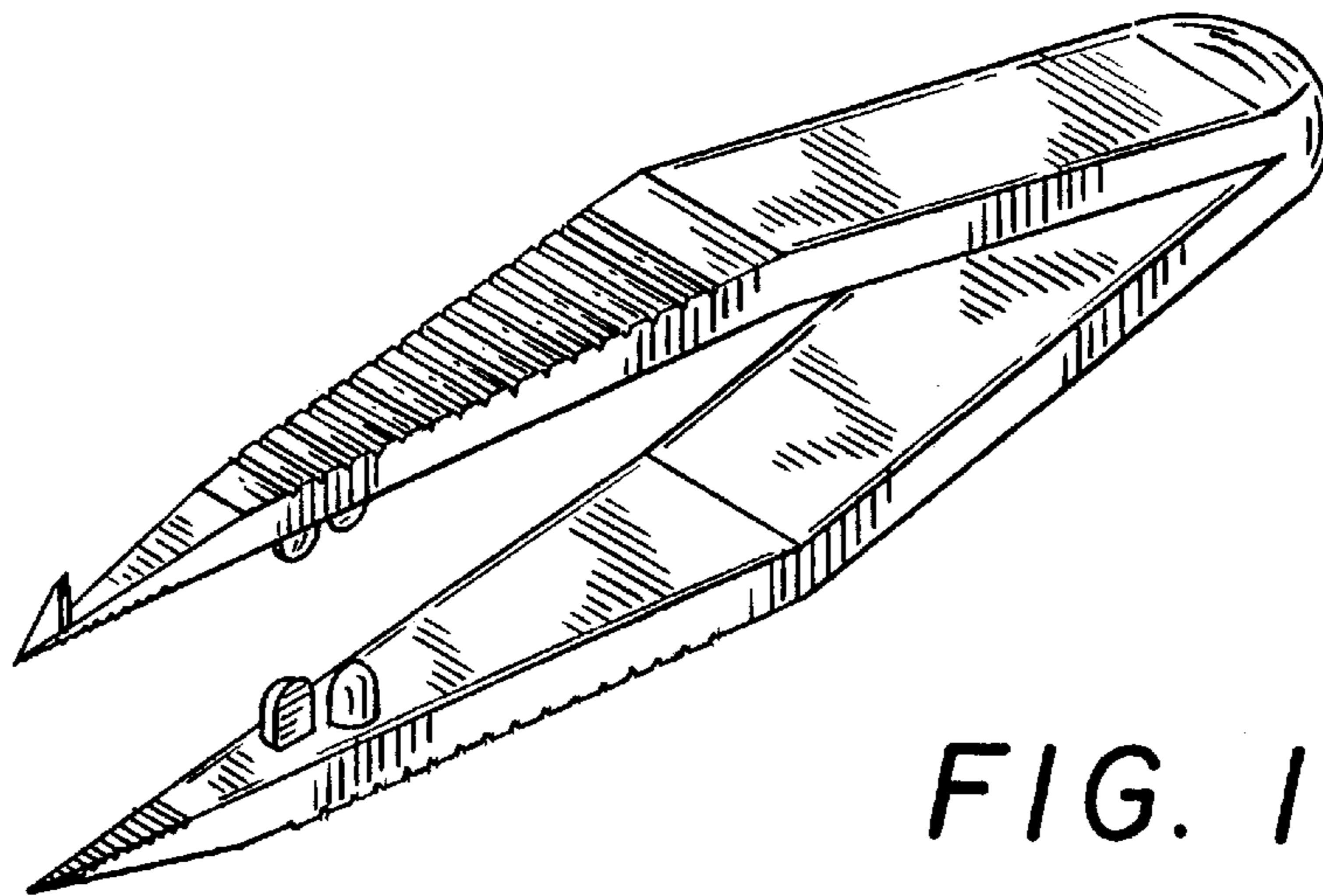


FIG. 1