



US00D415274S

# United States Patent [19]

Koros et al.

[11] Patent Number: Des. 415,274

[45] Date of Patent: \*\* Oct. 12, 1999

[54] ADJUSTABLE LENGTH RETRACTOR/  
DISTRACTOR BLADE

5,728,046 3/1998 Mayer et al. .... 600/210

[76] Inventors: Tibor B. Koros; Gabriel J. Koros,  
both of 610 Flinn Ave., Moorpark,  
Calif. 93021

Primary Examiner—Louis S. Zarfes  
Assistant Examiner—I Simmone  
Attorney, Agent, or Firm—David O'Reilly

[\*\*] Term: 14 Years

[57] CLAIM

[21] Appl. No.: 29/086,695

The ornamental design for an adjustable length retractor/  
distractor blade, as shown and described.

[22] Filed: Apr. 17, 1998

DESCRIPTION

[51] LOC (6) Cl. .... 24-02

[52] U.S. Cl. .... D24/135

[58] Field of Search ..... D24/135; 600/201,  
600/206, 210, 229, 230, 231, 232, 233,  
220, 217, 216, 215, 228

FIG. 1 is a perspective view of an adjustable length retractor/  
distractor blade showing our new design, the broken line  
showing of the tubular guides for a light pipe and fixation  
screws are for illustrative purposes only and forms no part  
of the claimed design.

FIG. 2 is a front elevational view thereof;

FIG. 3 is a left side elevational view thereof, the right side  
elevational view being a mirror image thereto.

FIG. 4 is a rear elevational view thereof.

FIG. 5 is top plan view thereof; and,

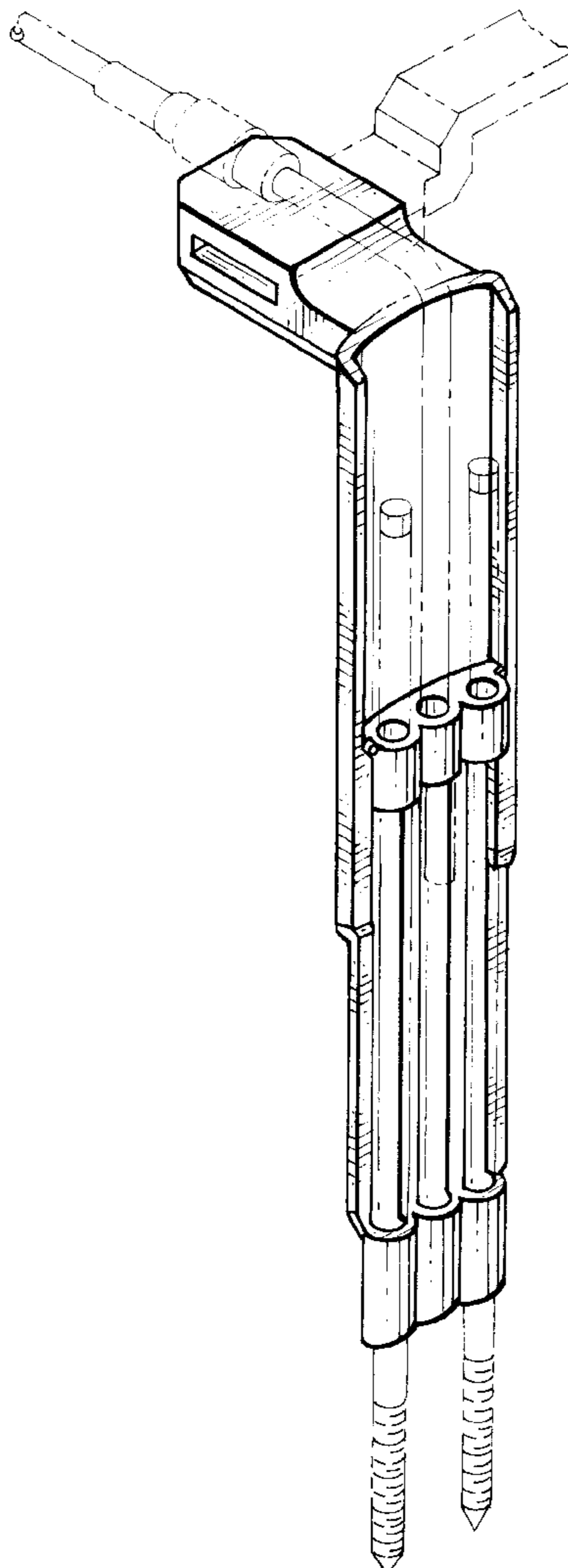
FIG. 6 is a bottom plan view thereof.

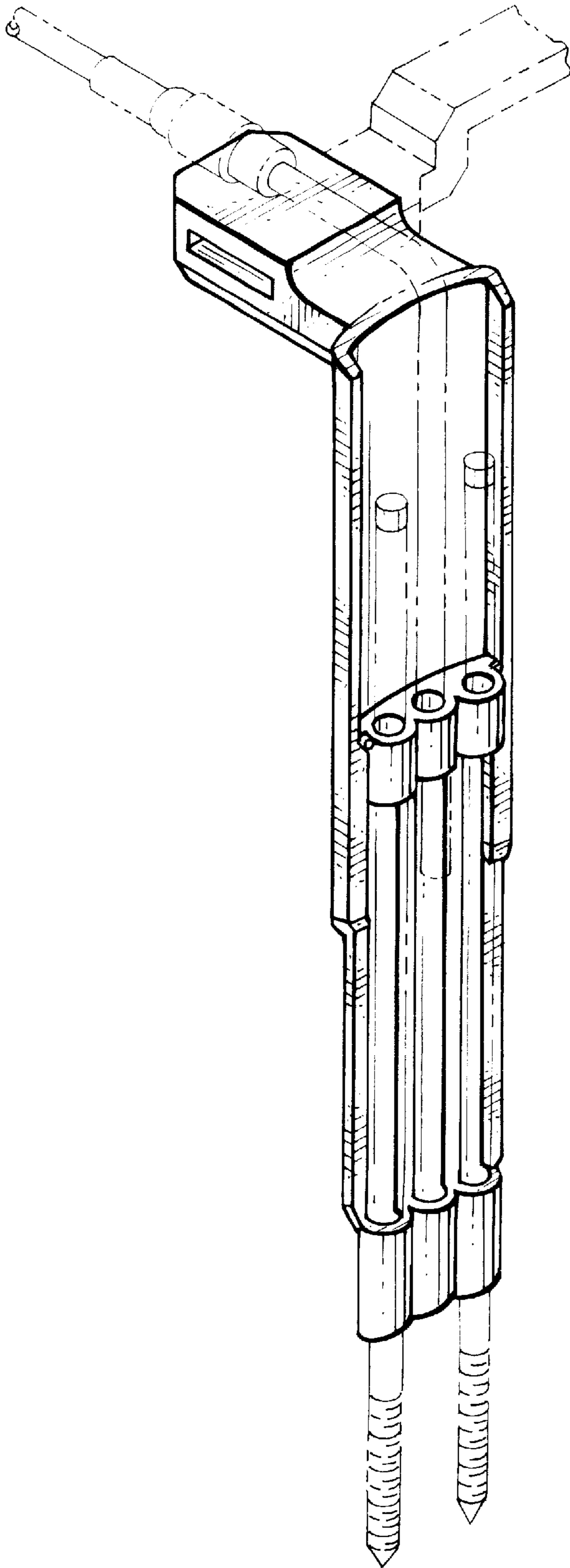
[56] References Cited

U.S. PATENT DOCUMENTS

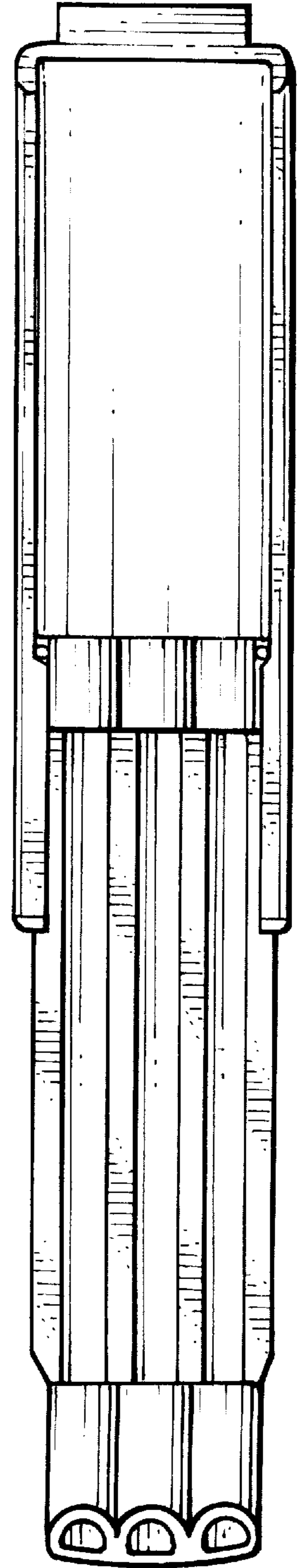
3,384,078	5/1968	Gauthier	600/217
3,749,088	7/1973	Kohlmann	600/217
4,010,741	3/1977	Gauthier	600/215
4,616,635	10/1986	Caspar et al.	600/217 X

1 Claim, 2 Drawing Sheets

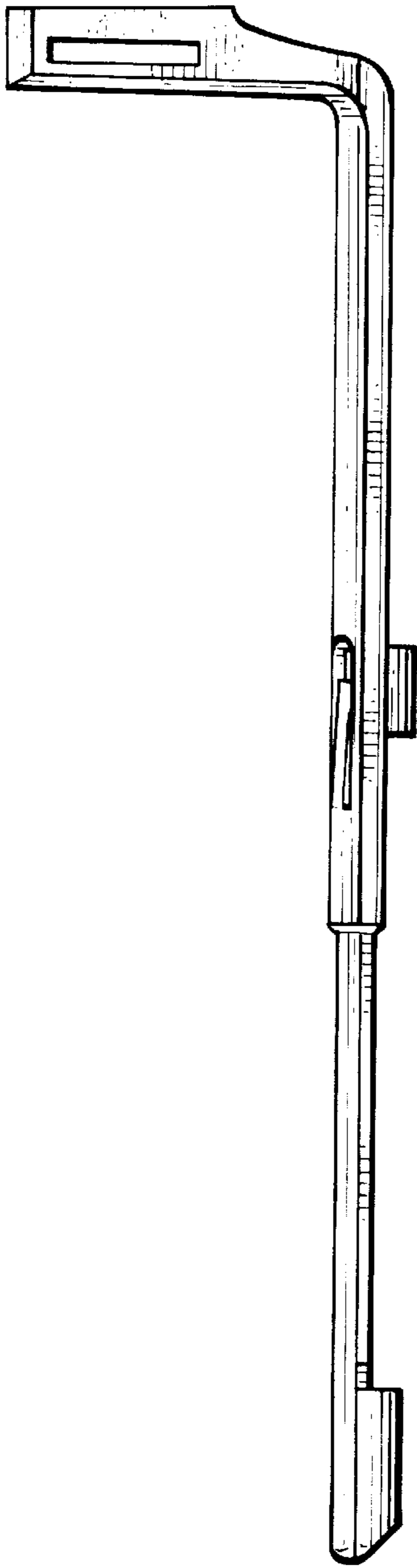




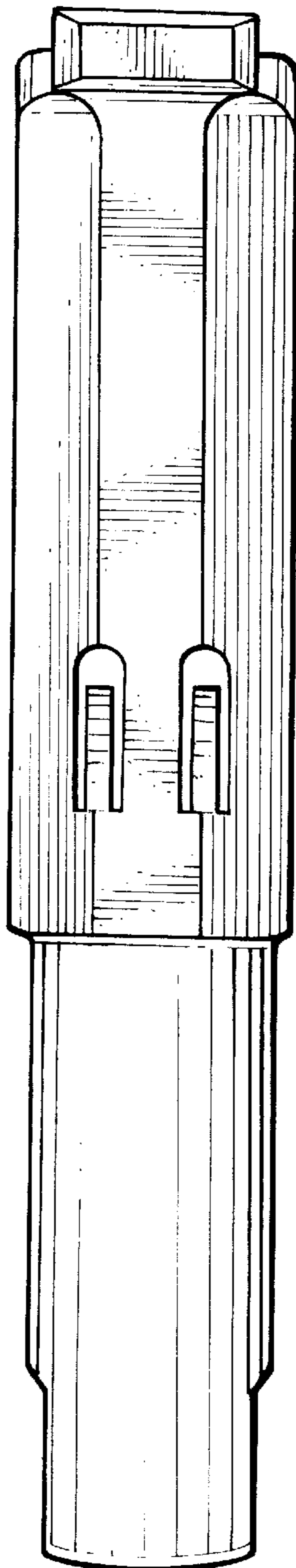
*Fig. 1.*



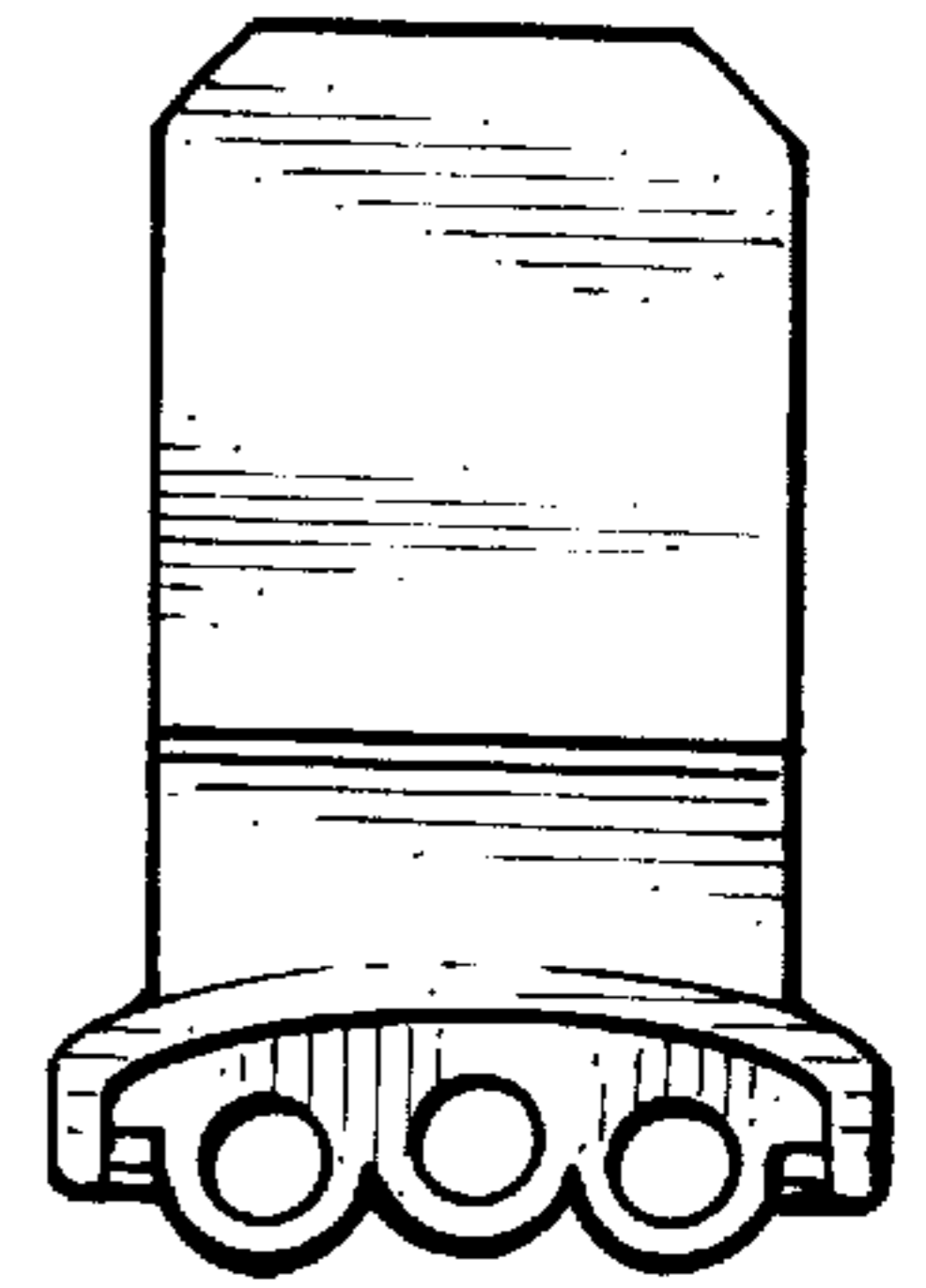
*Fig. 2.*



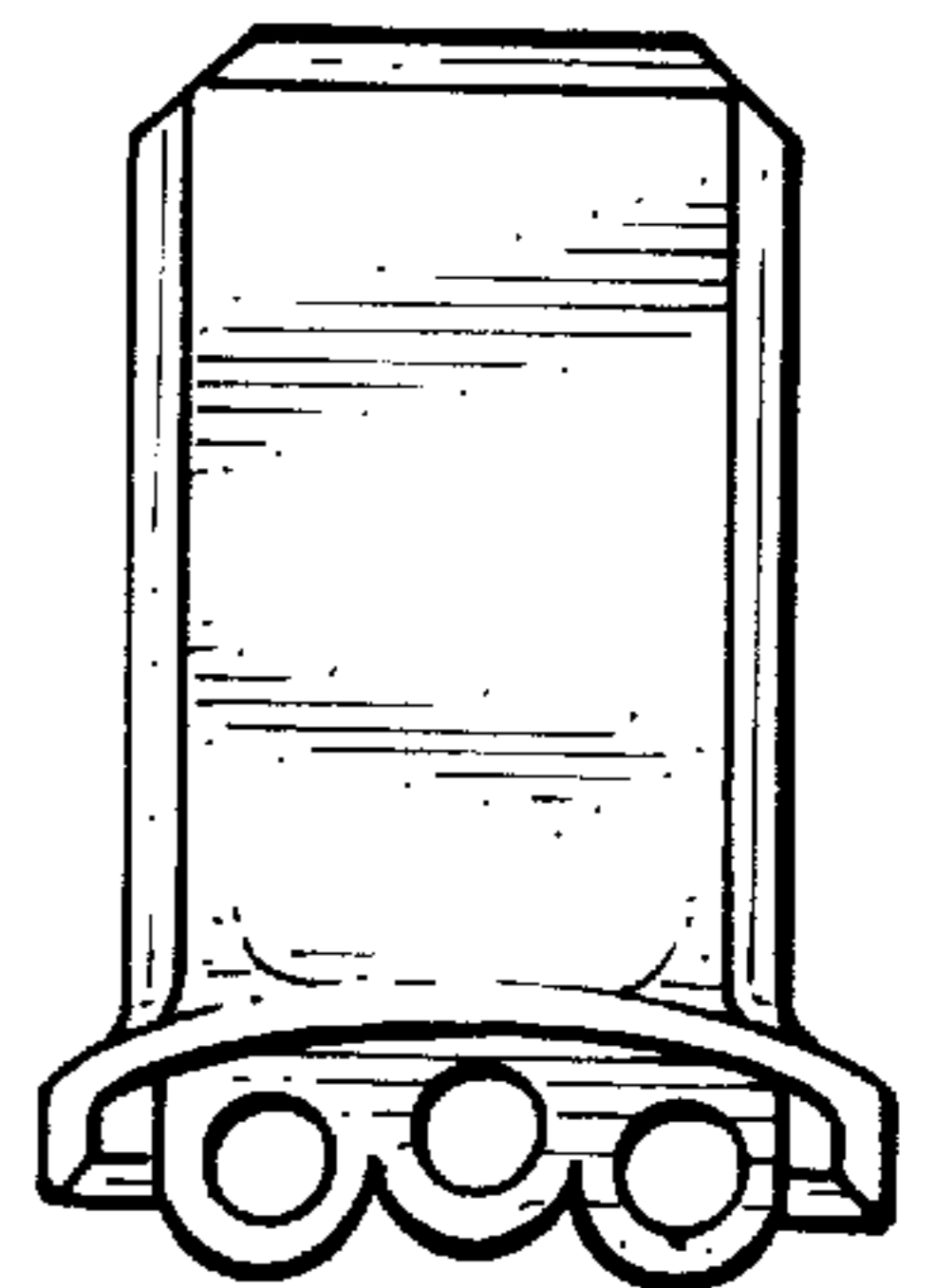
*Fig. 3.*



*Fig. 4.*



*Fig. 5.*



*Fig. 6.*