



US00D415271S

# United States Patent [19] Feer

[11] **Patent Number: Des. 415,271**

[45] **Date of Patent: \*\* Oct. 12, 1999**

[54] **FAN HOUSING**

[75] Inventor: **Dave Feer**, Andover, Mass.

[73] Assignee: **Holmes Products, Corp.**, Milford, Mass.

[\*\*] Term: **14 Years**

[21] Appl. No.: **29/097,713**

[22] Filed: **Dec. 11, 1998**

[51] **LOC (6) Cl.** ..... **23-04**

[52] **U.S. Cl.** ..... **D23/411; D23/370; D23/382**

[58] **Field of Search** ..... **D23/370, 381, D23/382, 378, 411; 416/246, 247 R, 208**

[56] **References Cited**

**U.S. PATENT DOCUMENTS**

D. 387,150	12/1997	Coonahan et al. ....	D23/381
2,544,281	3/1951	Seil .....	416/247 R
4,412,478	11/1983	Osher et al. ....	416/247 R

*Primary Examiner*—Lisa Lichtenstein  
*Attorney, Agent, or Firm*—Hoffmann & Baron, LLP;  
Francis E. Marino

[57] **CLAIM**

The ornamental design for a fan housing, as shown and described.

**DESCRIPTION**

FIG. 1 is a top perspective view of a fan housing showing our new design;

FIG. 2 is a front elevation view thereof;

FIG. 3 is a top elevation view thereof;

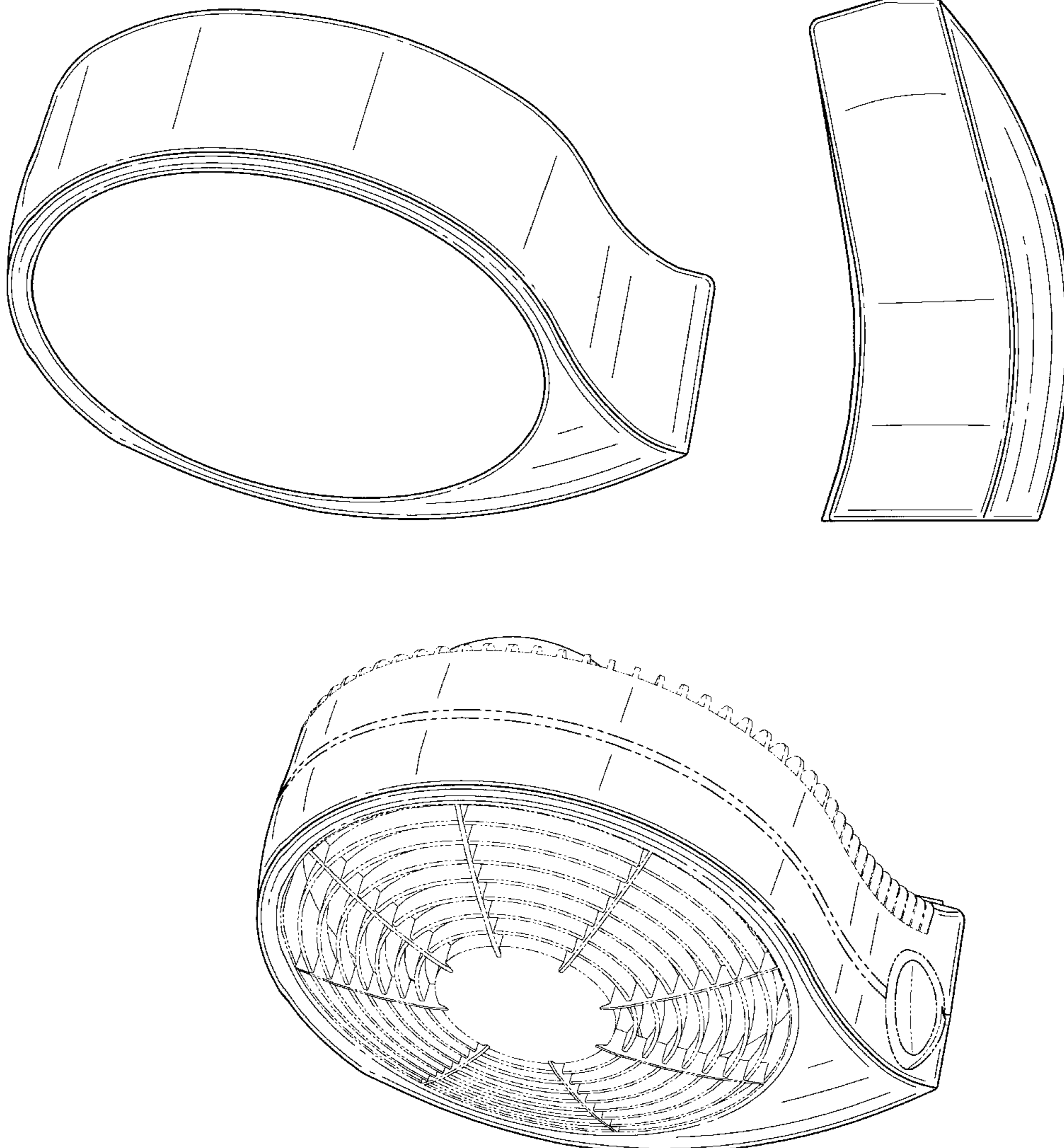
FIG. 4 is a right side elevation view thereof, the left side being a mirror image;

FIG. 5 is a back elevation view thereof; and,

FIG. 6 is a top perspective view of the fan housing of FIG. 1 including sample fan grills.

The subject matter shown in broken lines forms no part of the claimed design.

**1 Claim, 6 Drawing Sheets**



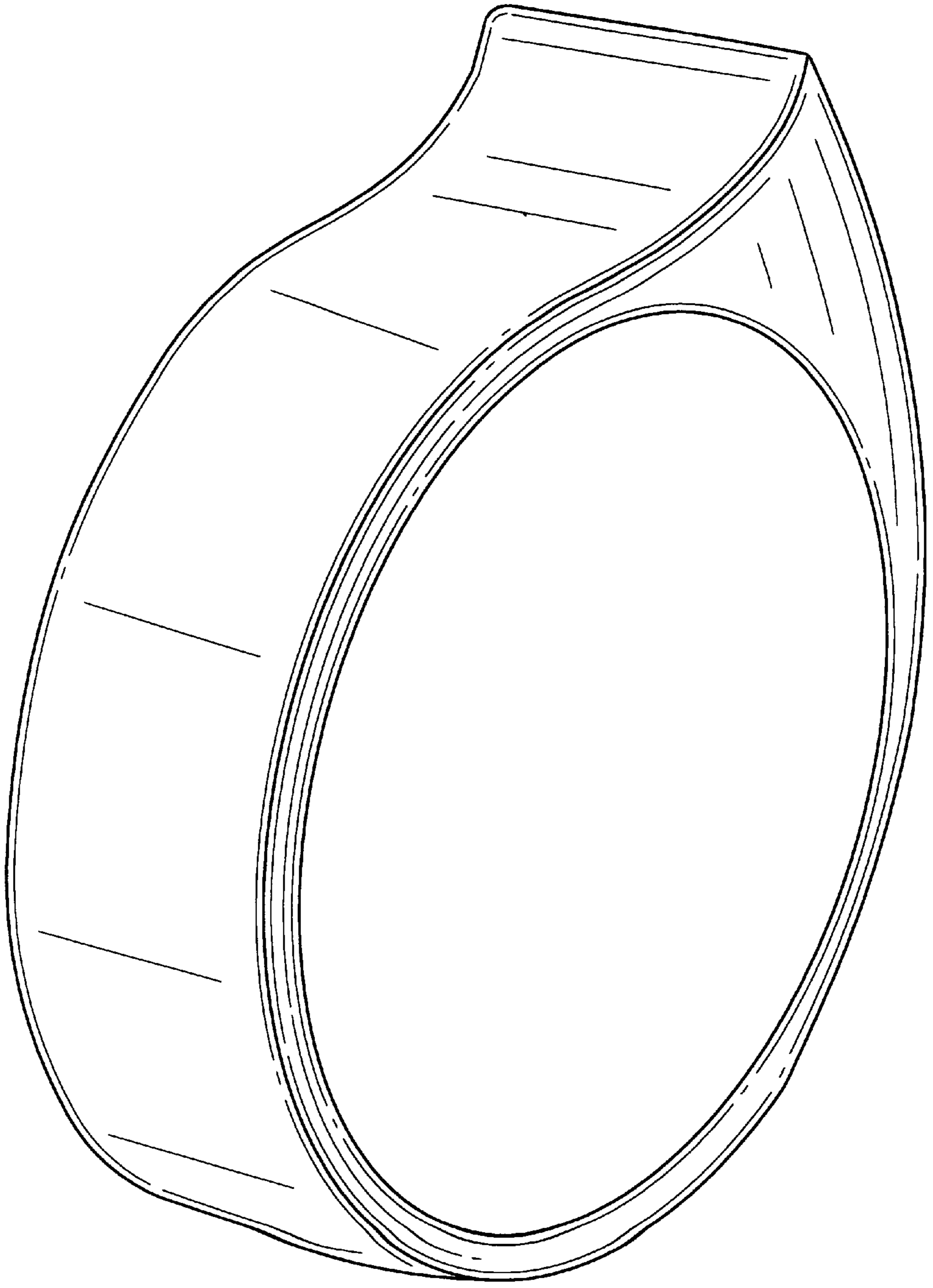


FIG-1

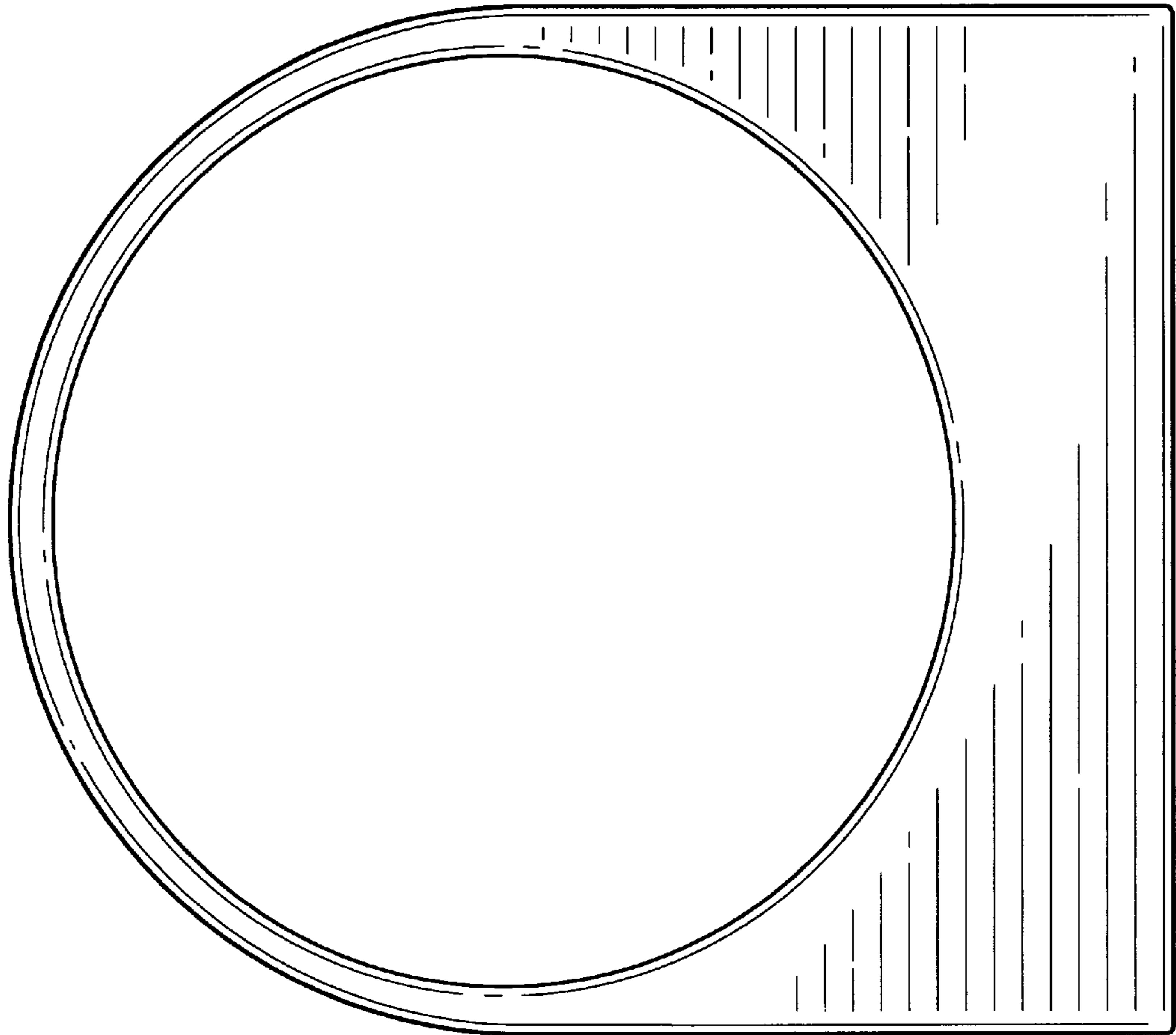


FIG-2

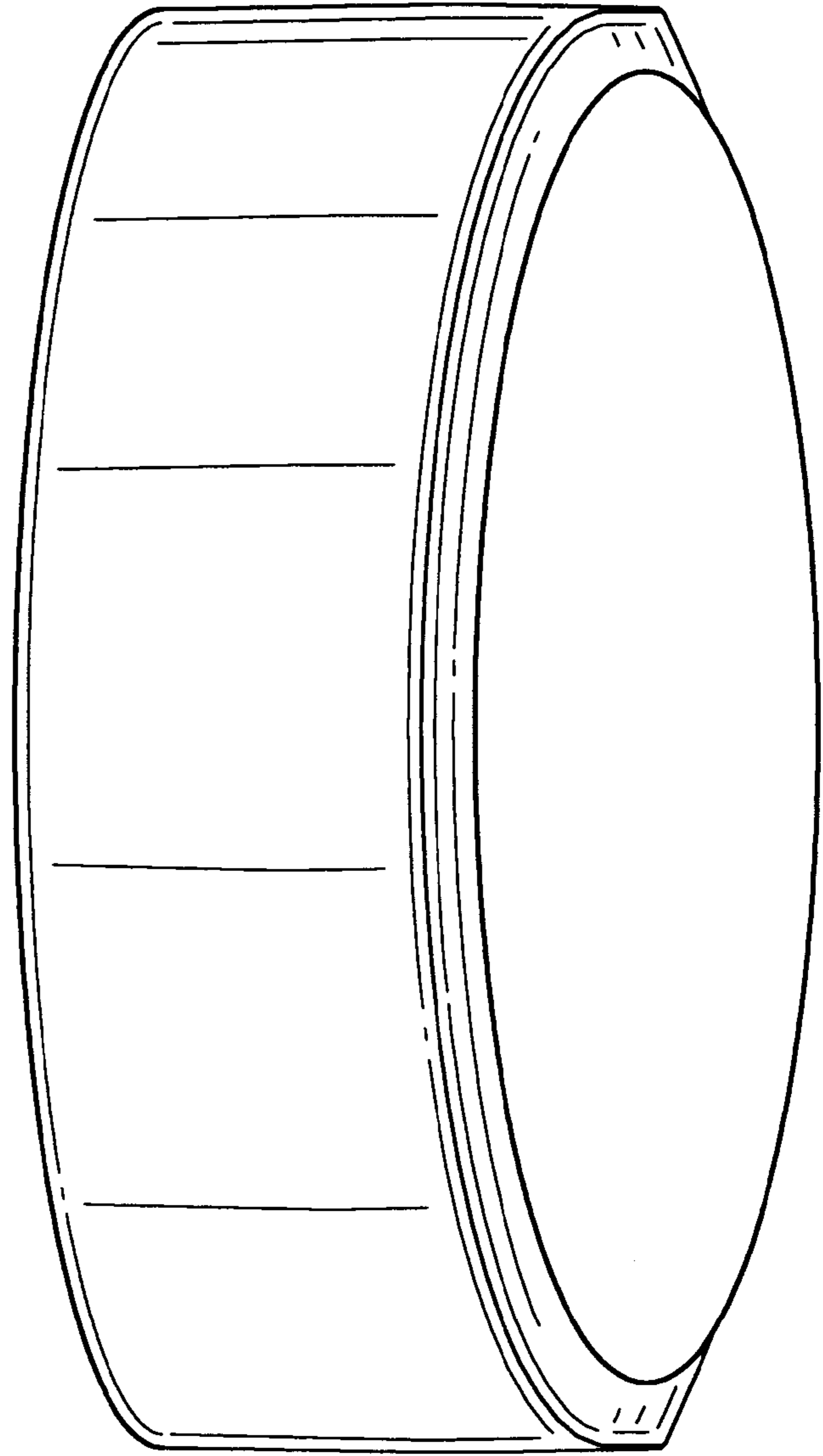


FIG-3

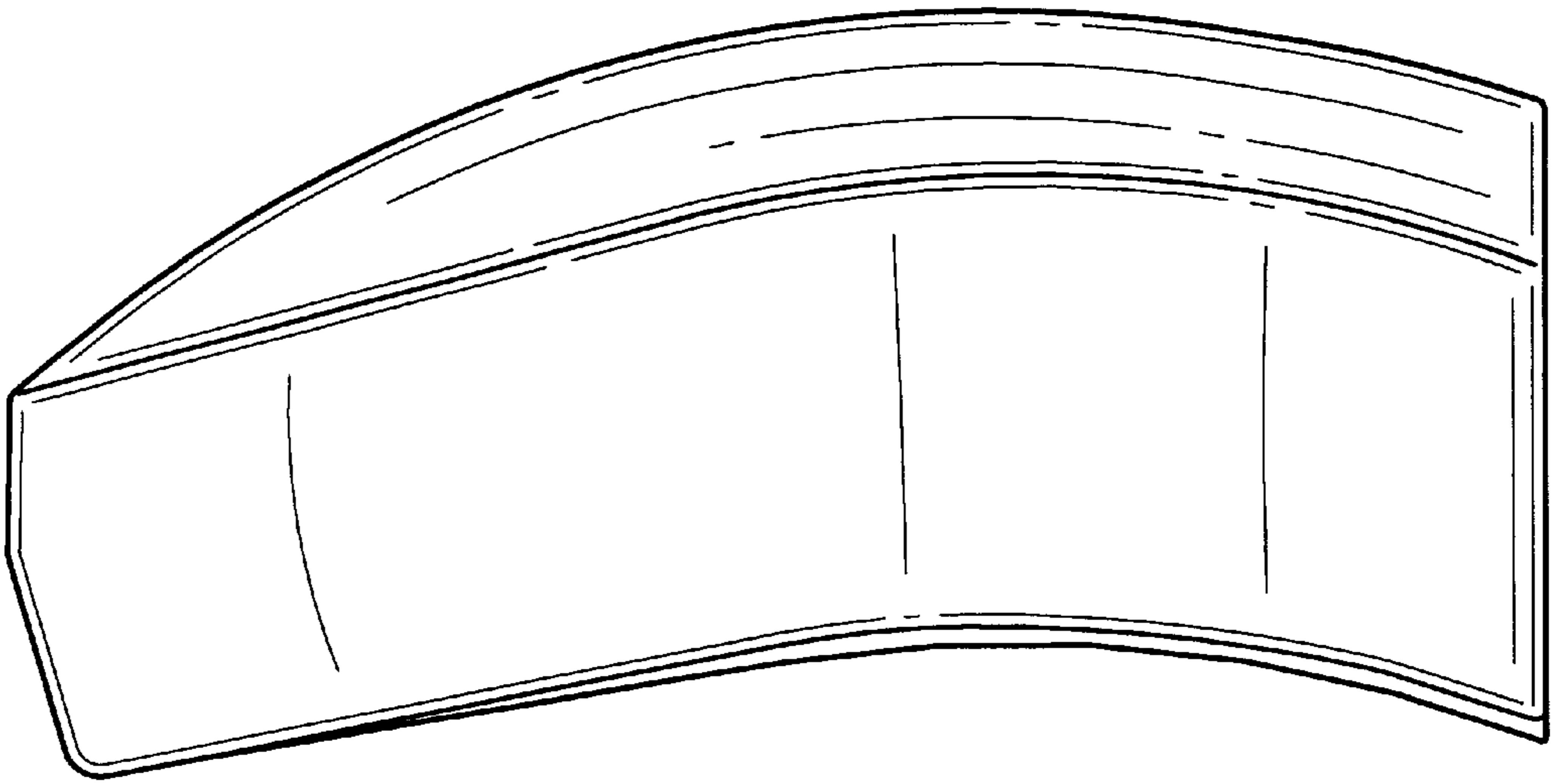


FIG-4

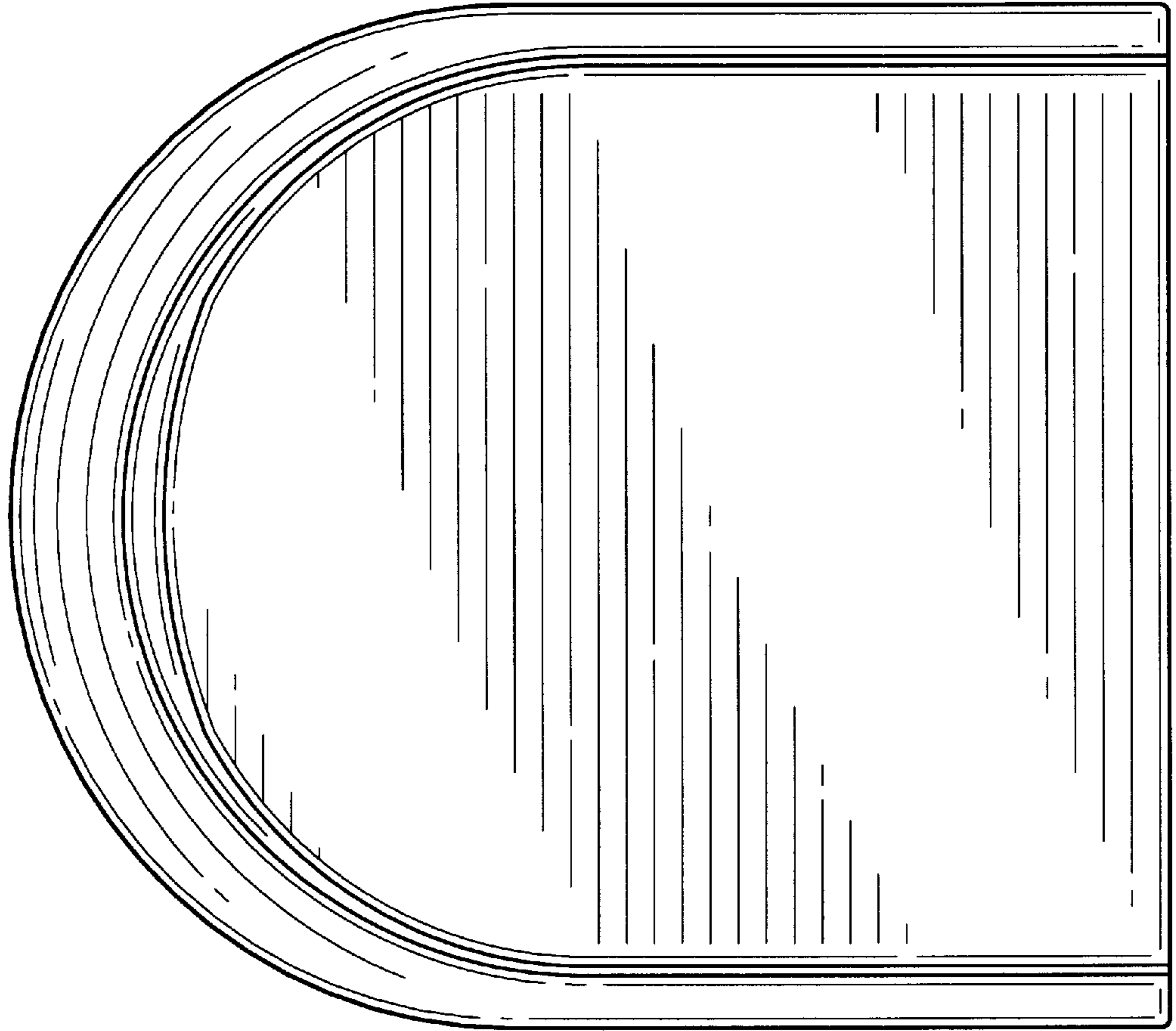


FIG-5

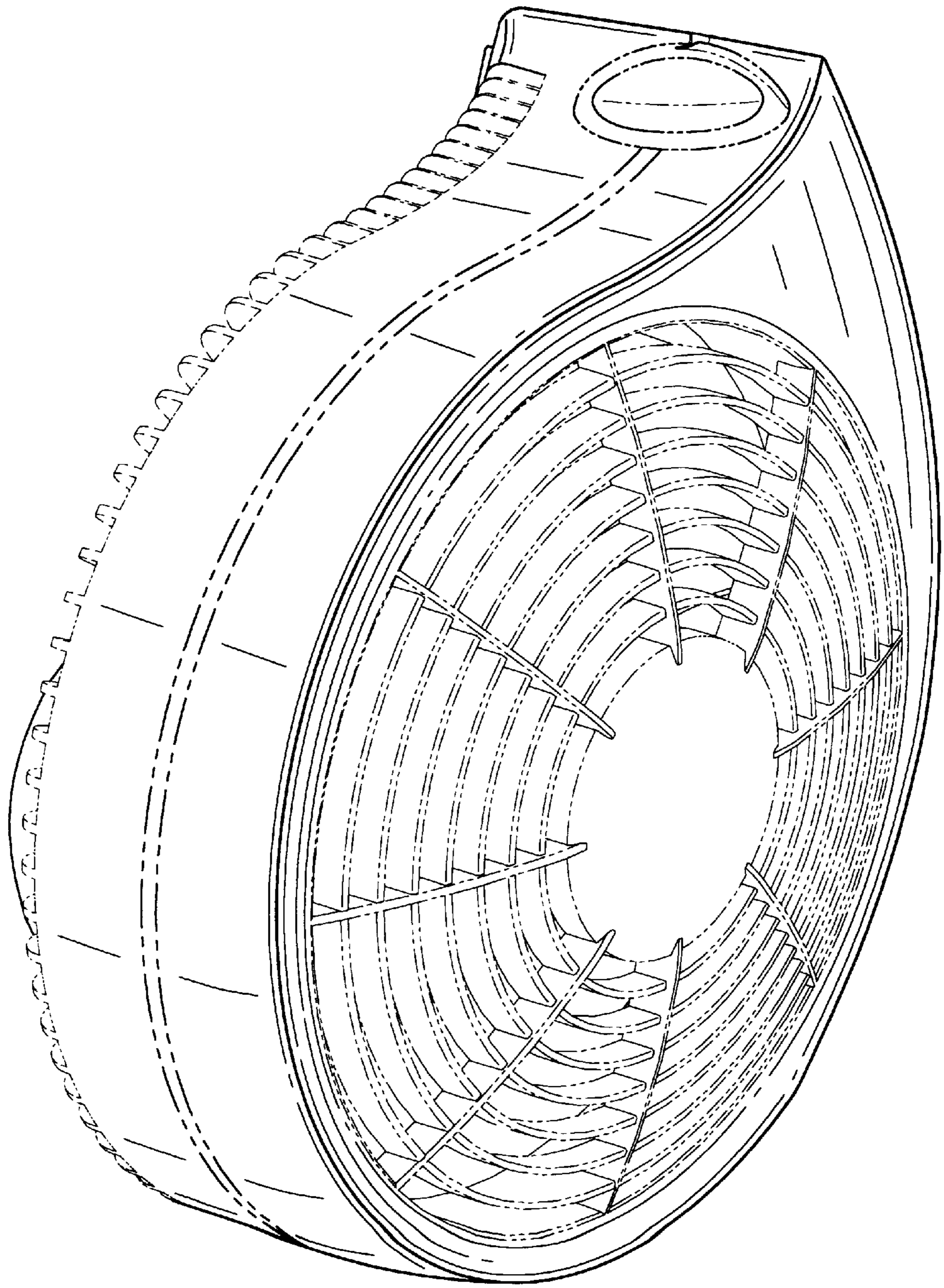


FIG-6