



US00D415269S

United States Patent [19]
Wang

[11] **Patent Number: Des. 415,269**

[45] **Date of Patent: ** Oct. 12, 1999**

[54] **COMBINED CEILING FAN AND LIGHT
FIXTURE**

D. 402,026 12/1998 Chuang et al. D23/377

[76] Inventor: **Liang-Chou Wang**, No. 46, Alley 26,
Lane 667, Chung San Rd., Shen Kang
Hsiang, Taichung County, Taiwan

Primary Examiner—Lisa Lichtenstein
Attorney, Agent, or Firm—Dougherty & Troxell

[**] Term: **14 Years**

[57] **CLAIM**

The ornamental design for a combined ceiling fan and light
fixture, as shown.

[21] Appl. No.: **29/095,328**

DESCRIPTION

[22] Filed: **Oct. 21, 1998**

[51] **LOC (6) Cl.** **23-04**

[52] **U.S. Cl.** **D23/377; D23/379; D23/386;**
D26/59

[58] **Field of Search** D23/377, 379,
D23/385, 411, 413; 416/5

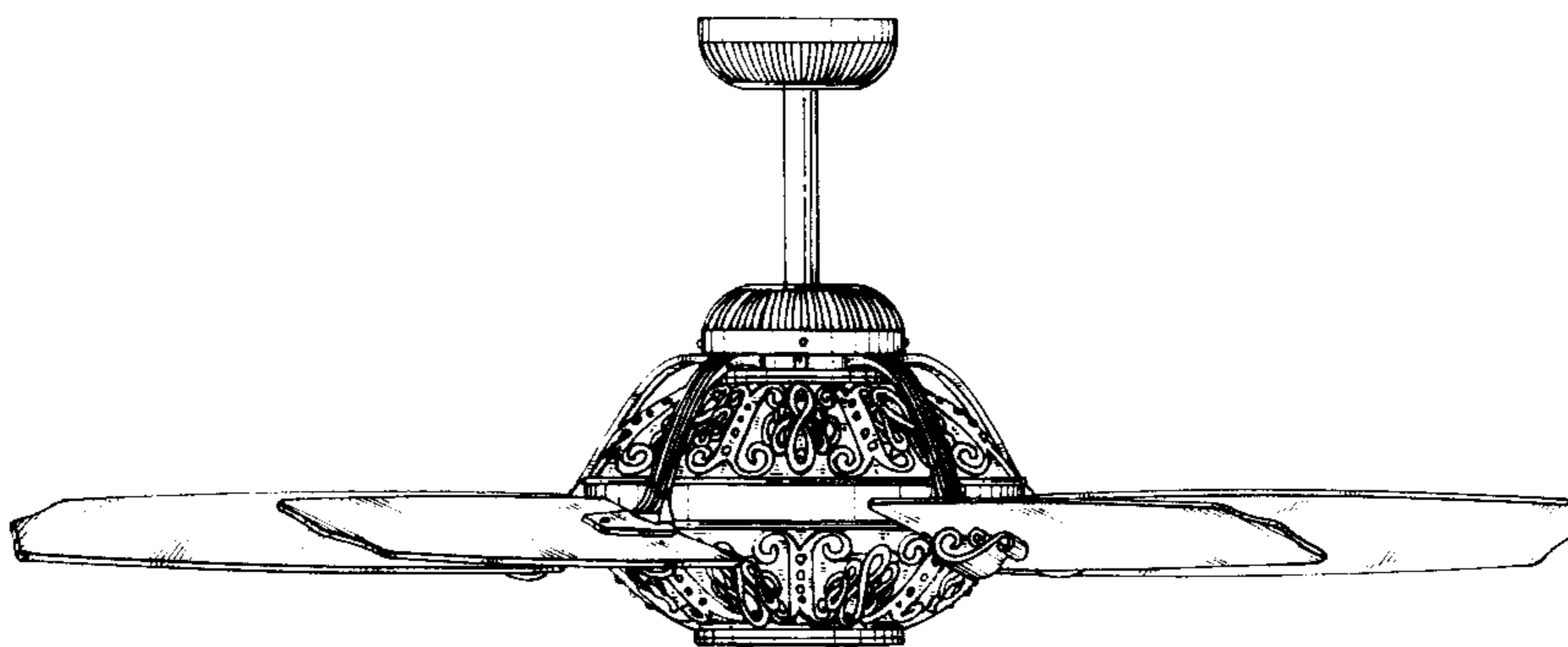
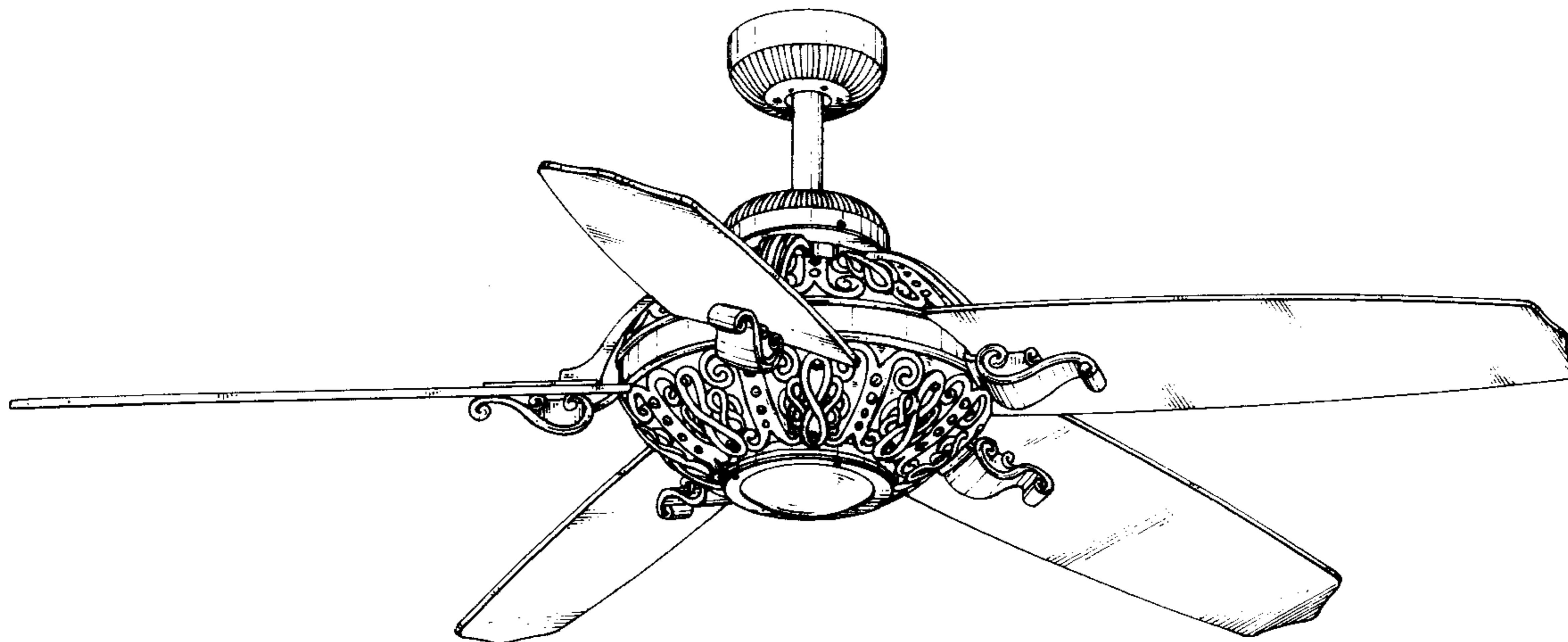
FIG. 1 is a perspective view of a combined ceiling fan and
light fixture showing my new design;
FIG. 2 is a front elevational view thereof;
FIG. 3 is a rear elevational view thereof;
FIG. 4 is a left side elevational view thereof;
FIG. 5 is a right side elevational view thereof;
FIG. 6 is a top plan view thereof; and,
FIG. 7 is a bottom plan view thereof.

[56] **References Cited**

U.S. PATENT DOCUMENTS

D. 378,404 3/1997 Jaspers-Fayer D23/377

1 Claim, 7 Drawing Sheets



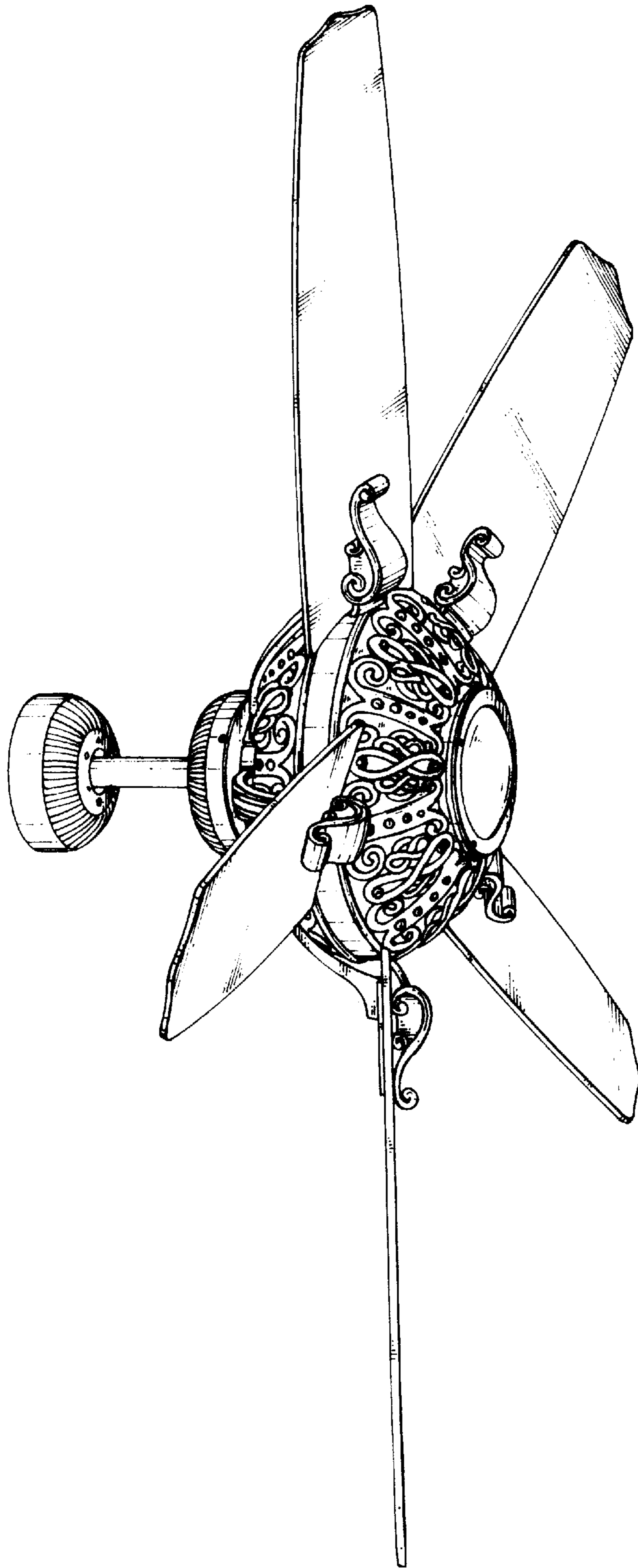


Fig. 1

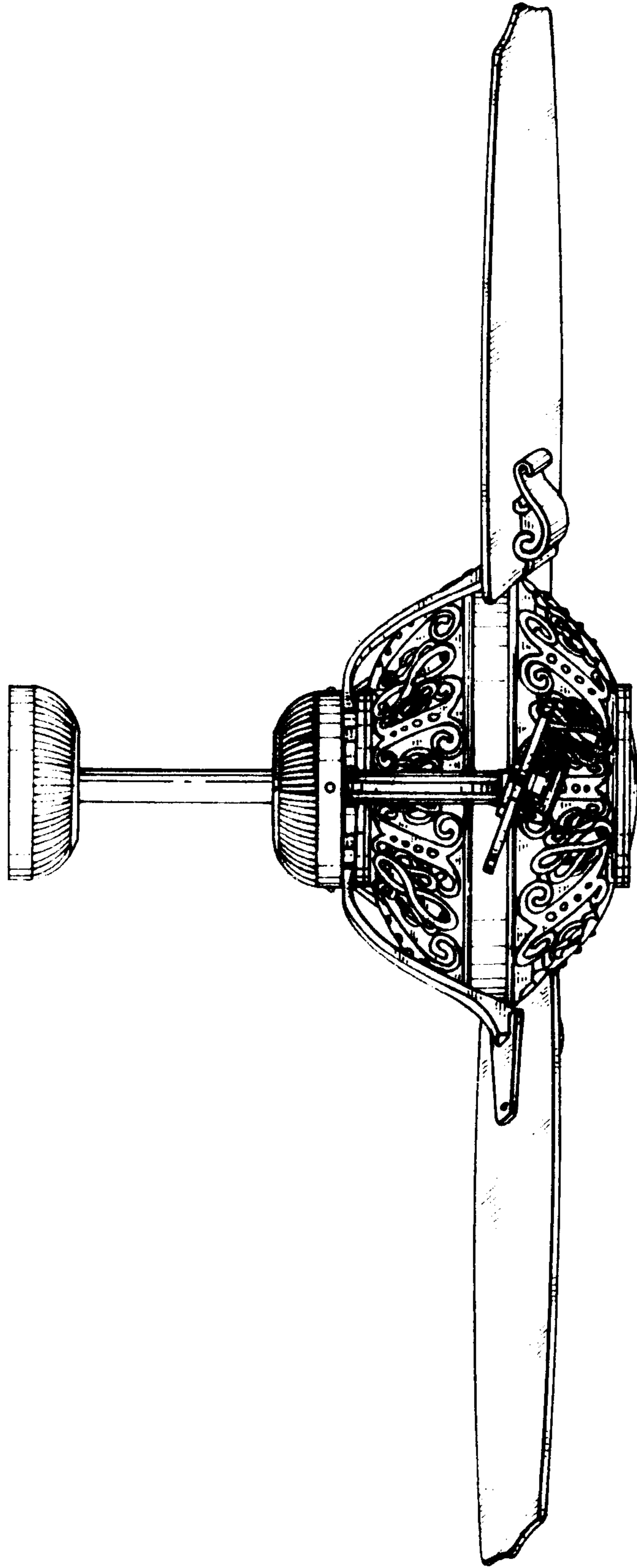


Fig. 2

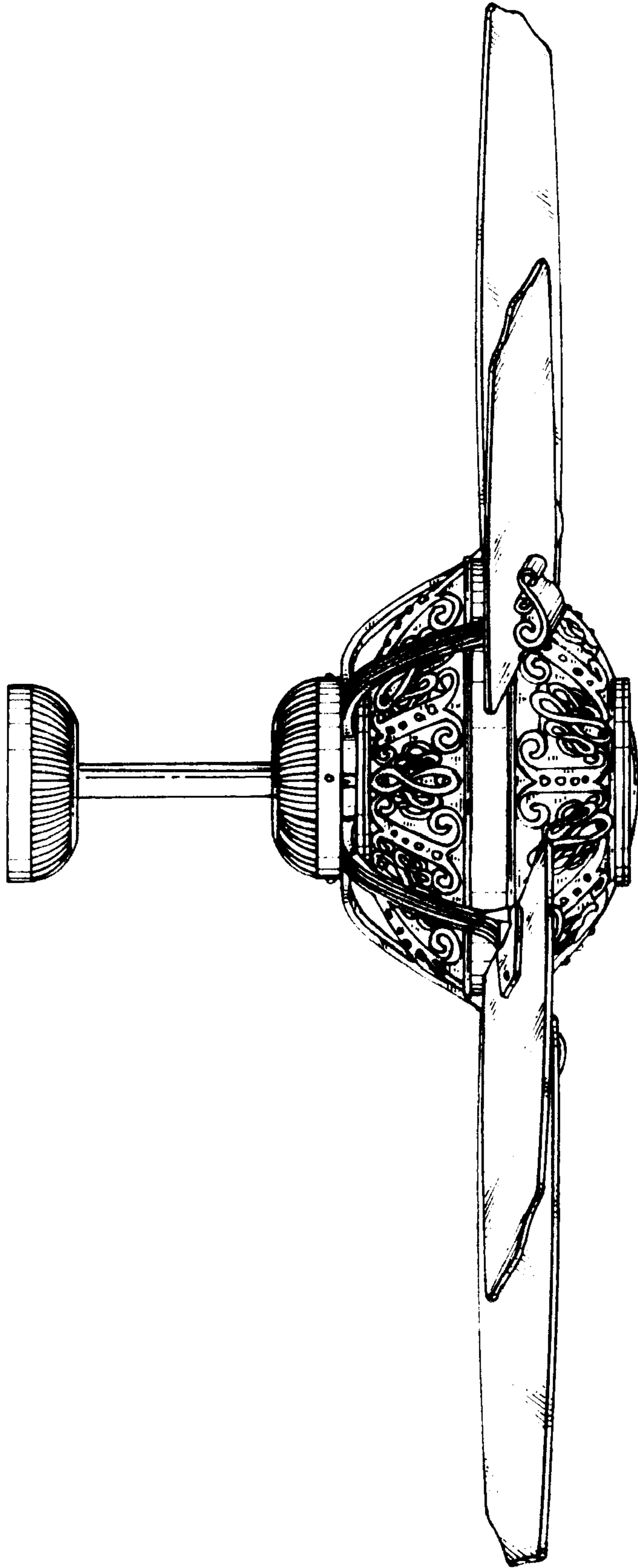


Fig . 3

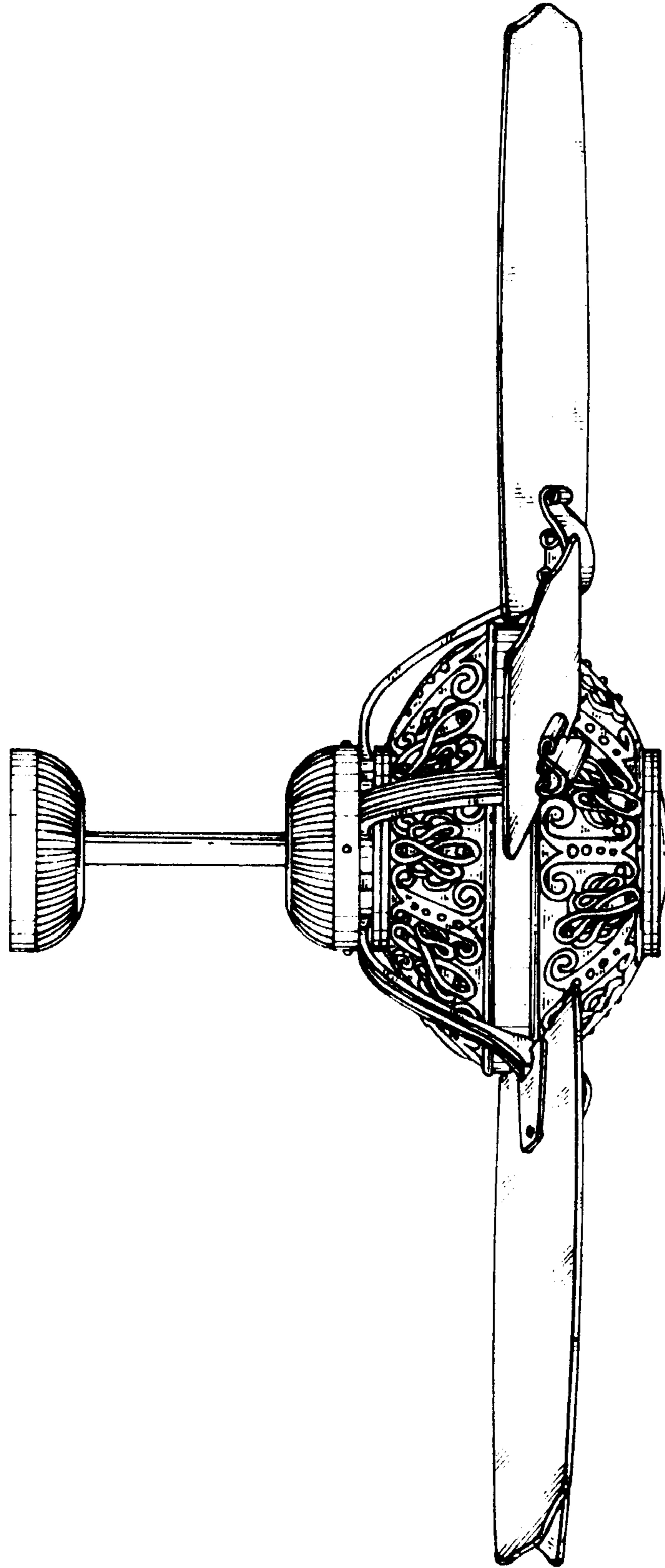


Fig. 4

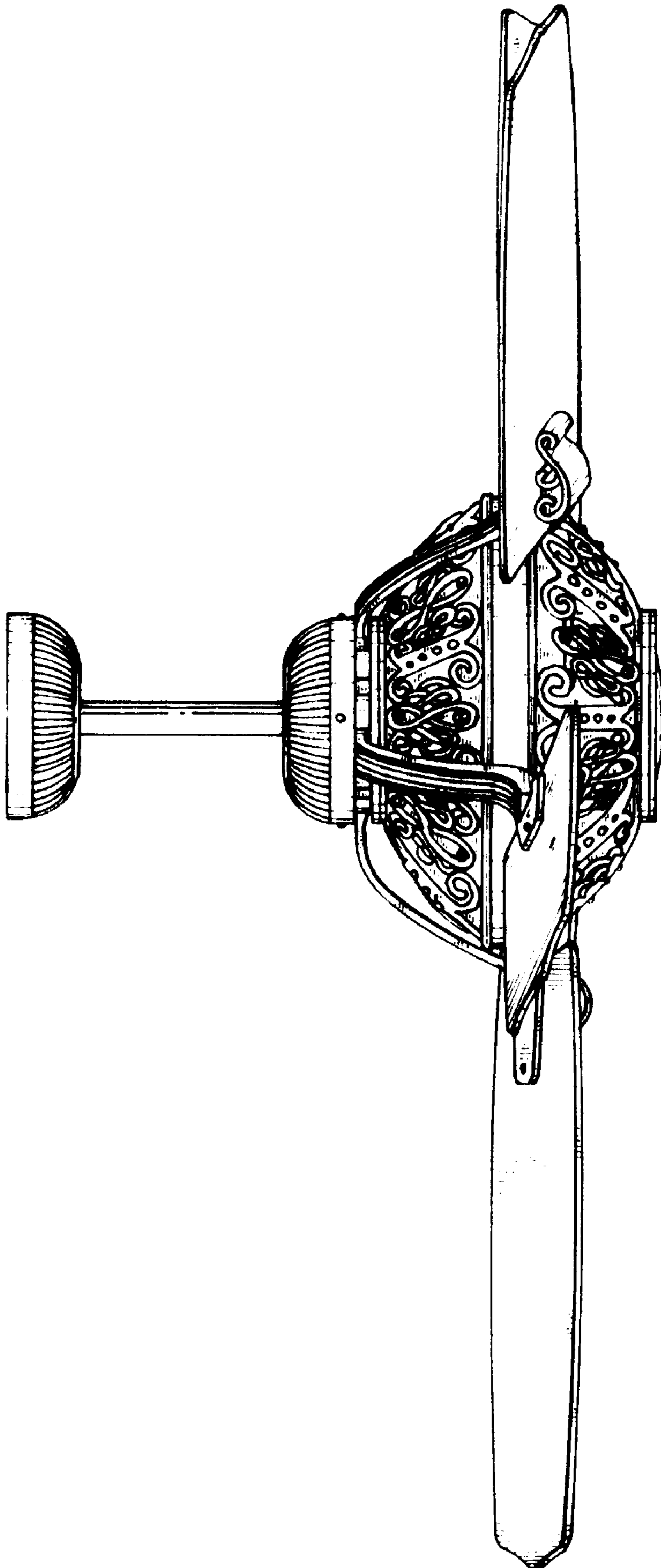


Fig . 5

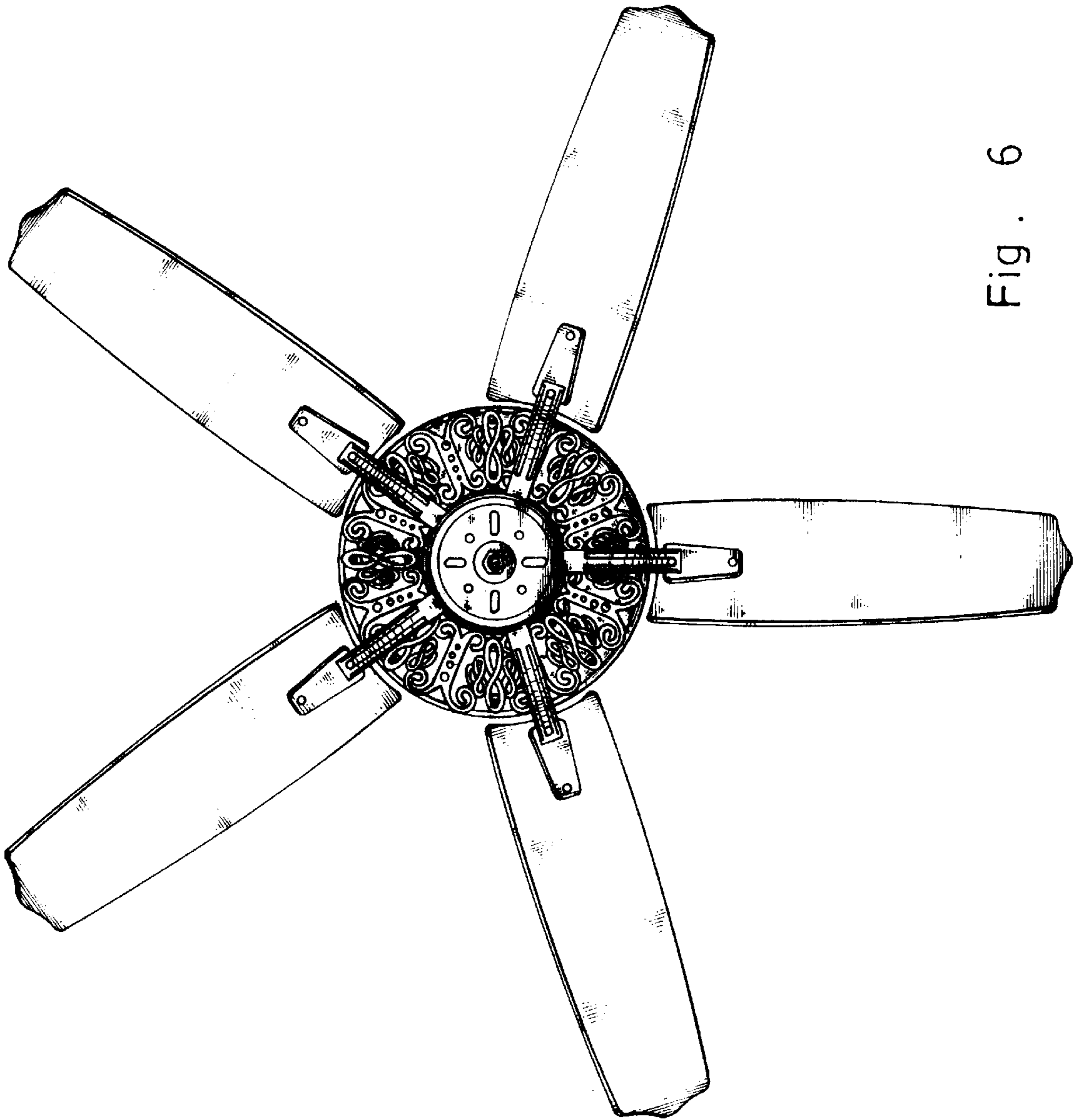


Fig. 6

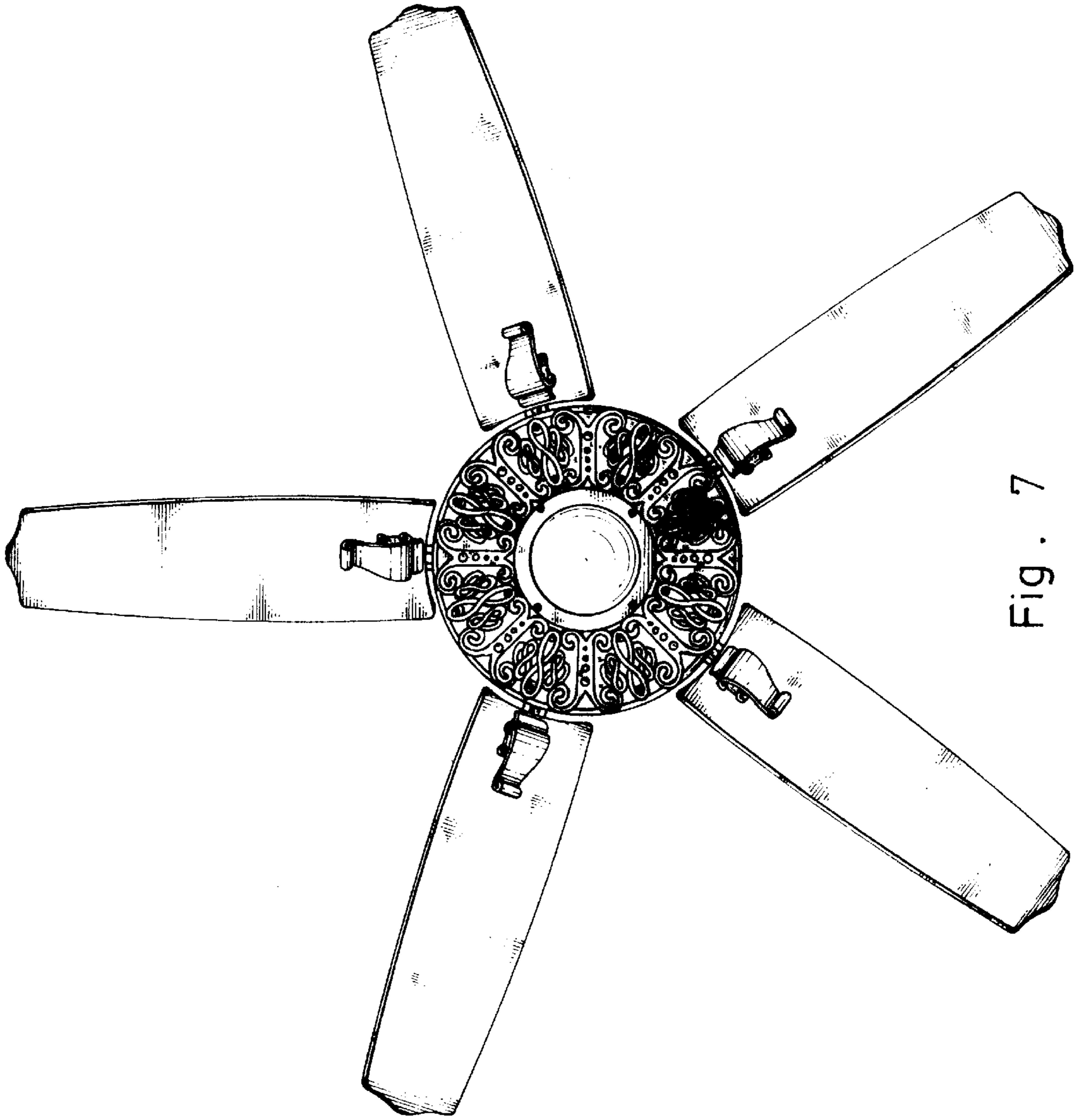


Fig. 7