



US00D415266S

United States Patent [19]
Glattstein

[11] **Patent Number: Des. 415,266**

[45] **Date of Patent: ** Oct. 12, 1999**

[54] **HUMIDOR HUMIDIFIER**

Attorney, Agent, or Firm—Wheat, Camoriano, Smith & Beres, PLC

[76] Inventor: **Uri Glattstein**, 3718 Hillsdale Rd.,
Louisville, Ky. 40222

[57] **CLAIM**

[**] Term: **14 Years**

The ornamental design design for a humidor humidifier, as shown and described.

[21] Appl. No.: **29/091,299**

DESCRIPTION

[22] Filed: **Jul. 27, 1998**

FIG. 1 is a front perspective view of a humidor humidifier showing my new design;

[51] **LOC (6) Cl.** **23-04**

FIG. 2 is a back view thereof;

[52] **U.S. Cl.** **D23/356**

FIG. 3 is a front view thereof;

[58] **Field of Search** **D23/356-363;**
261/DIG. 65, 104, 107

FIG. 4 is a top view thereof;

FIG. 5 is a bottom view thereof;

[56] **References Cited**

FIG. 6 is a side view of the left side thereof; the right side is a mirror image of the left side; and,

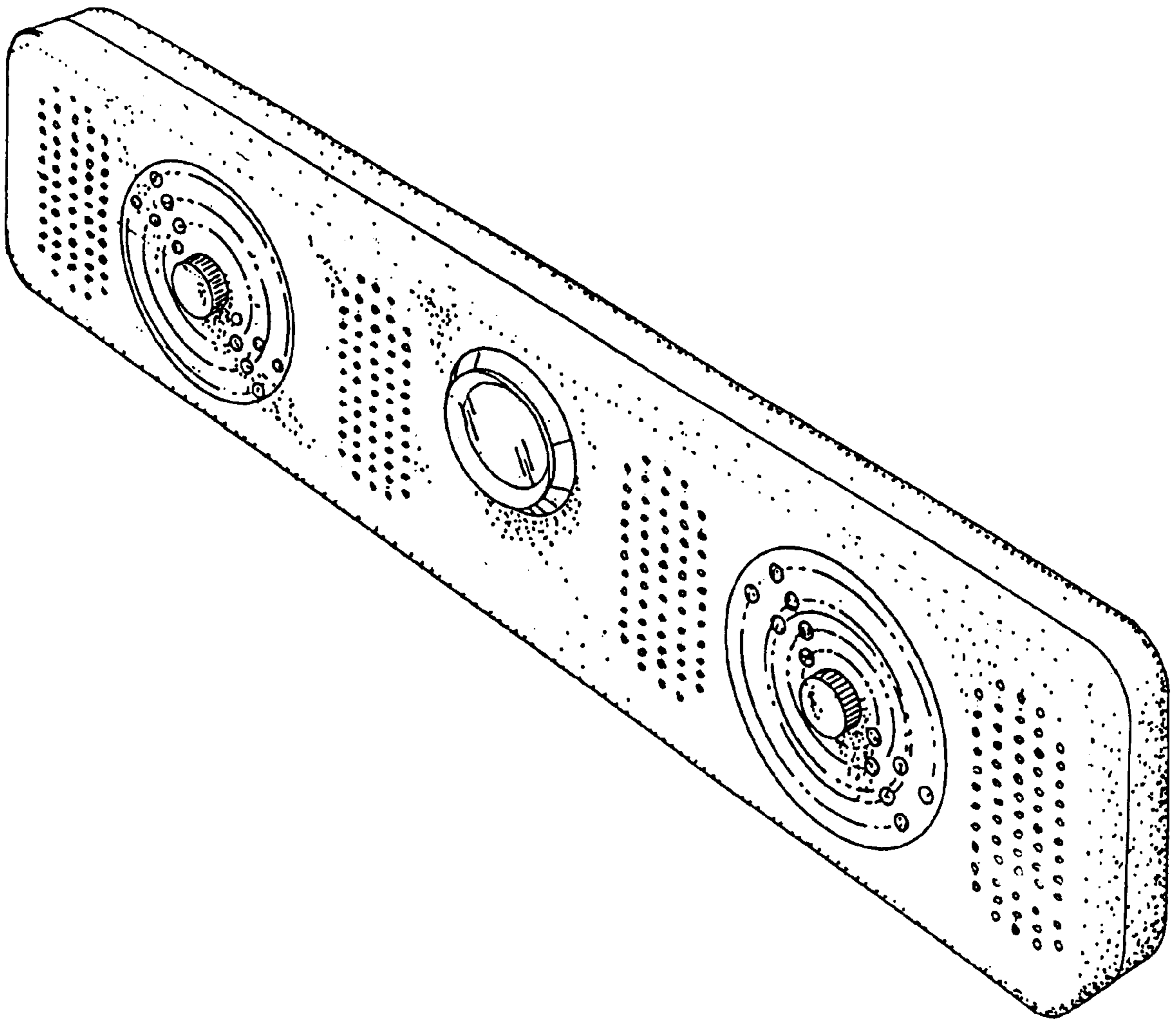
U.S. PATENT DOCUMENTS

FIG. 7 is an enlarged back perspective view of a humidor humidifier showing my new design.

2,623,781 12/1952 Hagan D23/356

Primary Examiner—Lisa Lichtenstein

1 Claim, 3 Drawing Sheets



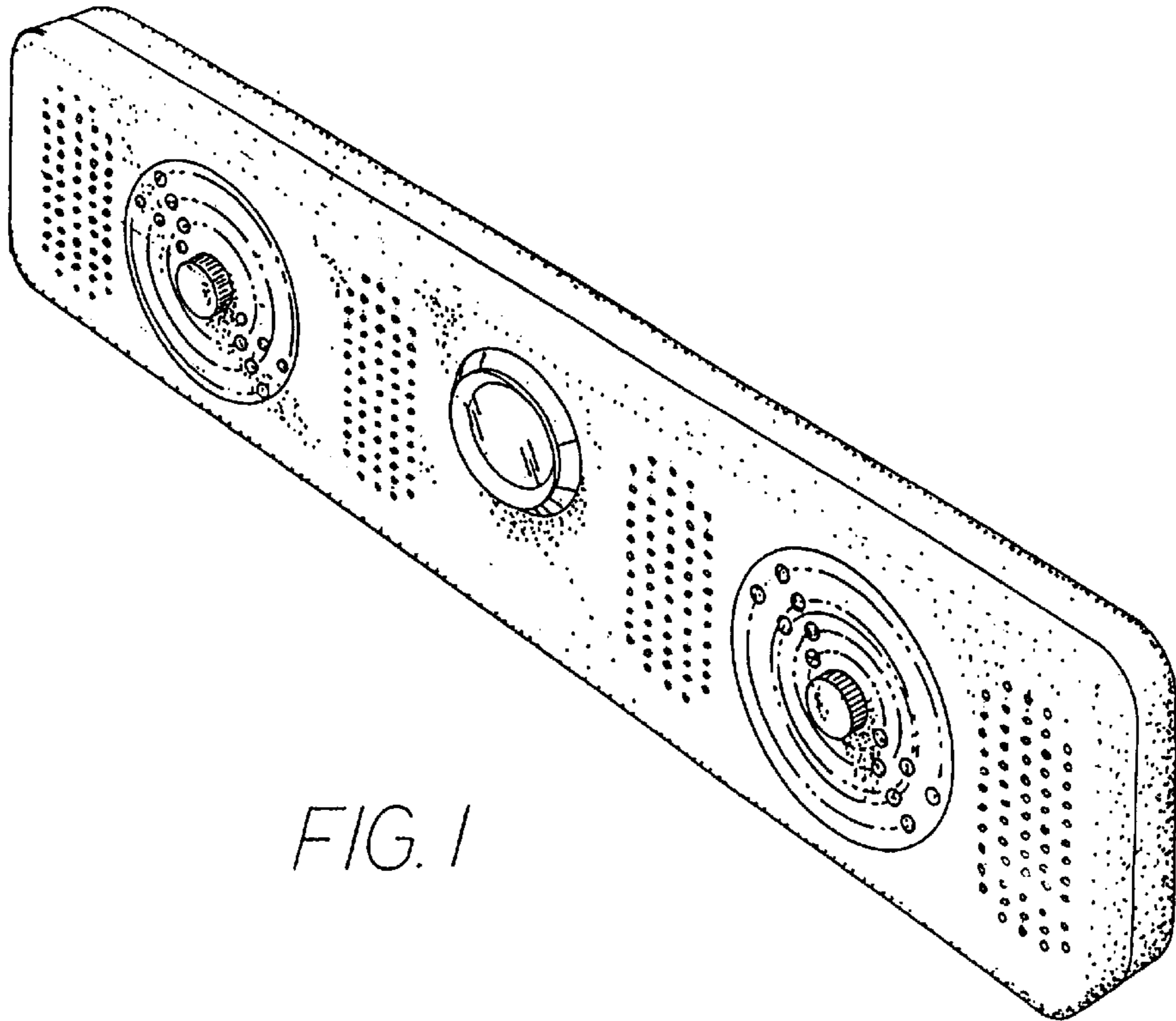


FIG. 1

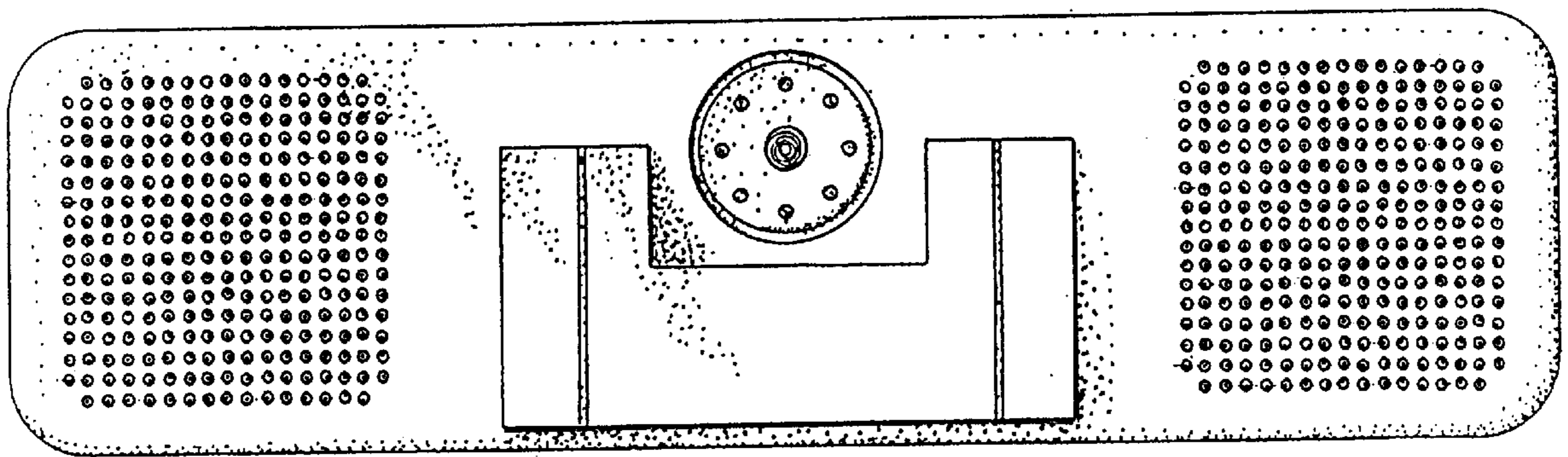


FIG. 2

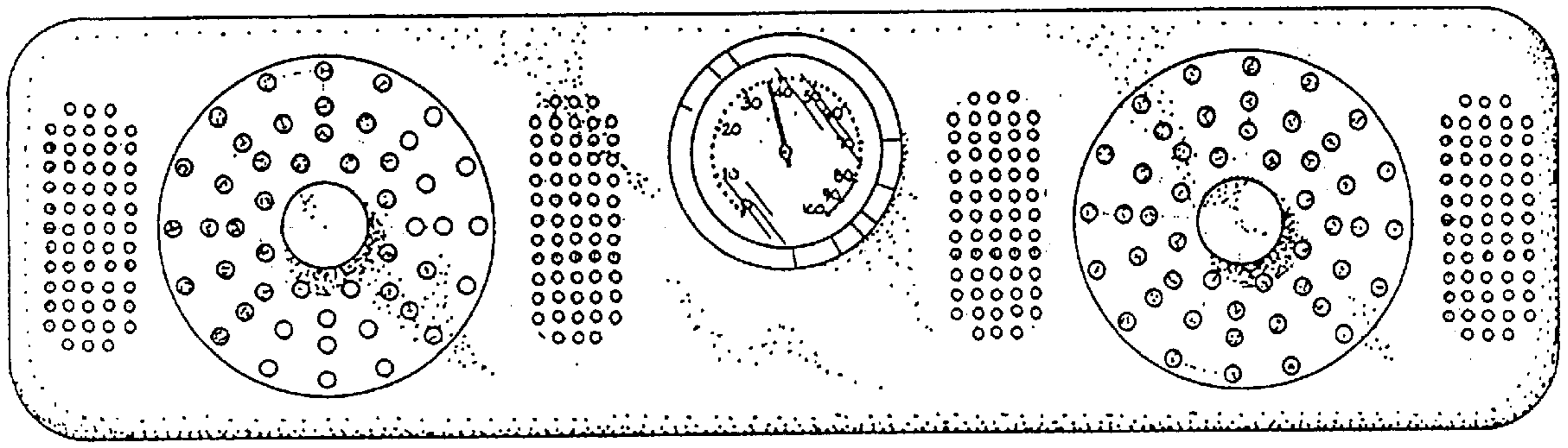


FIG. 3

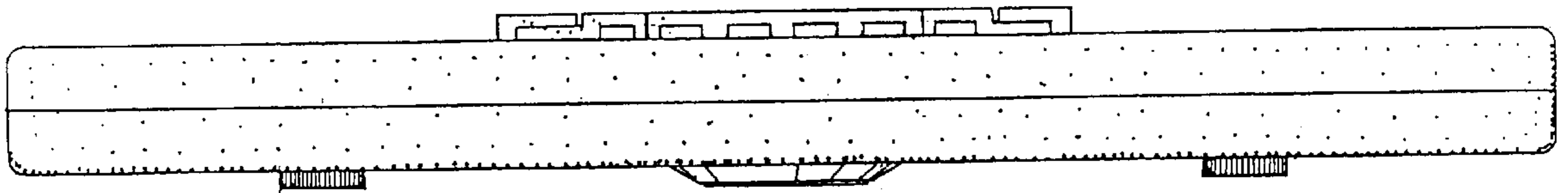


FIG. 4

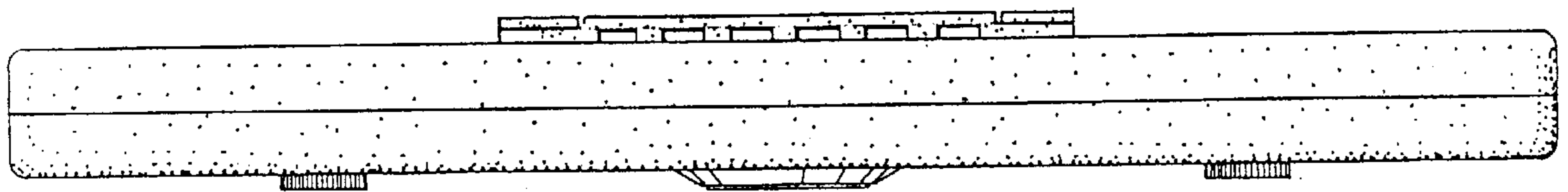


FIG. 5

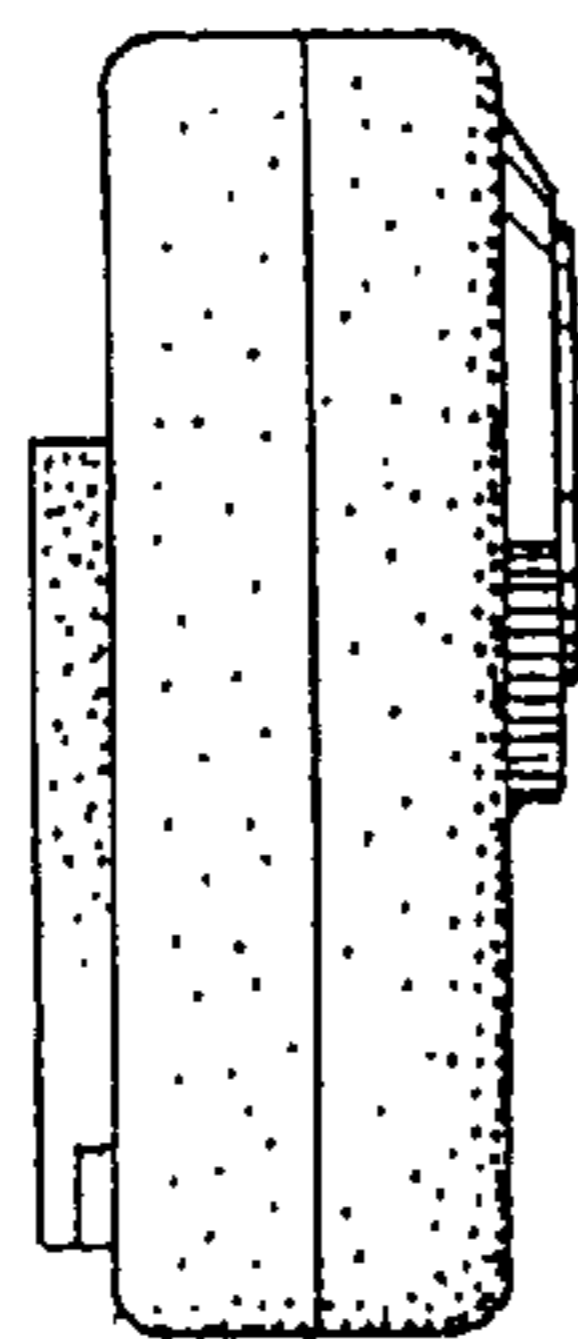


FIG. 6

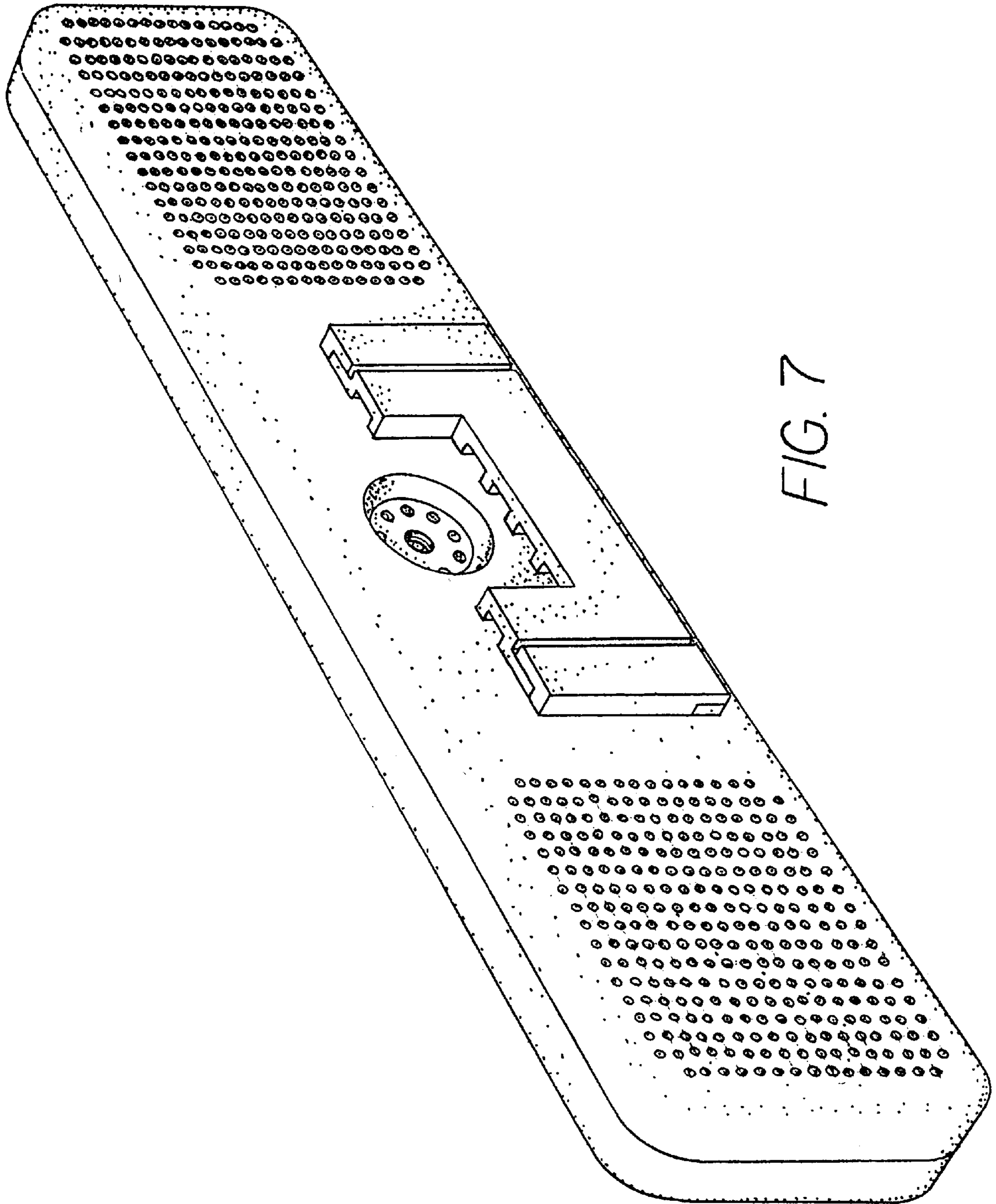


FIG. 7