



US00D415262S

United States Patent [19]
Garza

[11] **Patent Number: Des. 415,262**

[45] **Date of Patent: ** Oct. 12, 1999**

[54] **WASHSTAND WITH PEDESTAL**

[76] Inventor: **Marcelo Garza Laguera Garza,**
Acambaro No. 459, Col. CD. Industrial,
36541 Irapuato, Guanajuato, Mexico

[**] Term: **14 Years**

[21] Appl. No.: **29/070,043**

[22] Filed: **Apr. 25, 1997**

[30] **Foreign Application Priority Data**

Oct. 25, 1996 [MX] Mexico 961072

[51] **LOC (6) Cl.** **23-01**

[52] **U.S. Cl.** **D23/292**

[58] **Field of Search** D23/284-293.1;
4/619, 624, 625, 638-650

[56] **References Cited**

U.S. PATENT DOCUMENTS

D. 258,906	4/1981	Doman	D23/292
D. 264,749	6/1982	Bengtson	D23/292
D. 273,980	5/1984	Kaiser	D23/292
D. 274,164	6/1984	Endvouen	D23/292

Primary Examiner—Louis S. Zarfaz
Assistant Examiner—Eric M. Watterson
Attorney, Agent, or Firm—Bracewell & Patterson, L.L.P.

[57] **CLAIM**

The ornamental design for a washstand with pedestal, as shown.

DESCRIPTION

FIG. 1 is an isometric view showing the ornamental desing for a washstand with pedestal according to the present invention.

FIG. 2 is a front elevation view of the washstand with pedestal of FIG. 1.

FIG. 3 is a top plan view of the washstand with pedestal of FIG. 1.

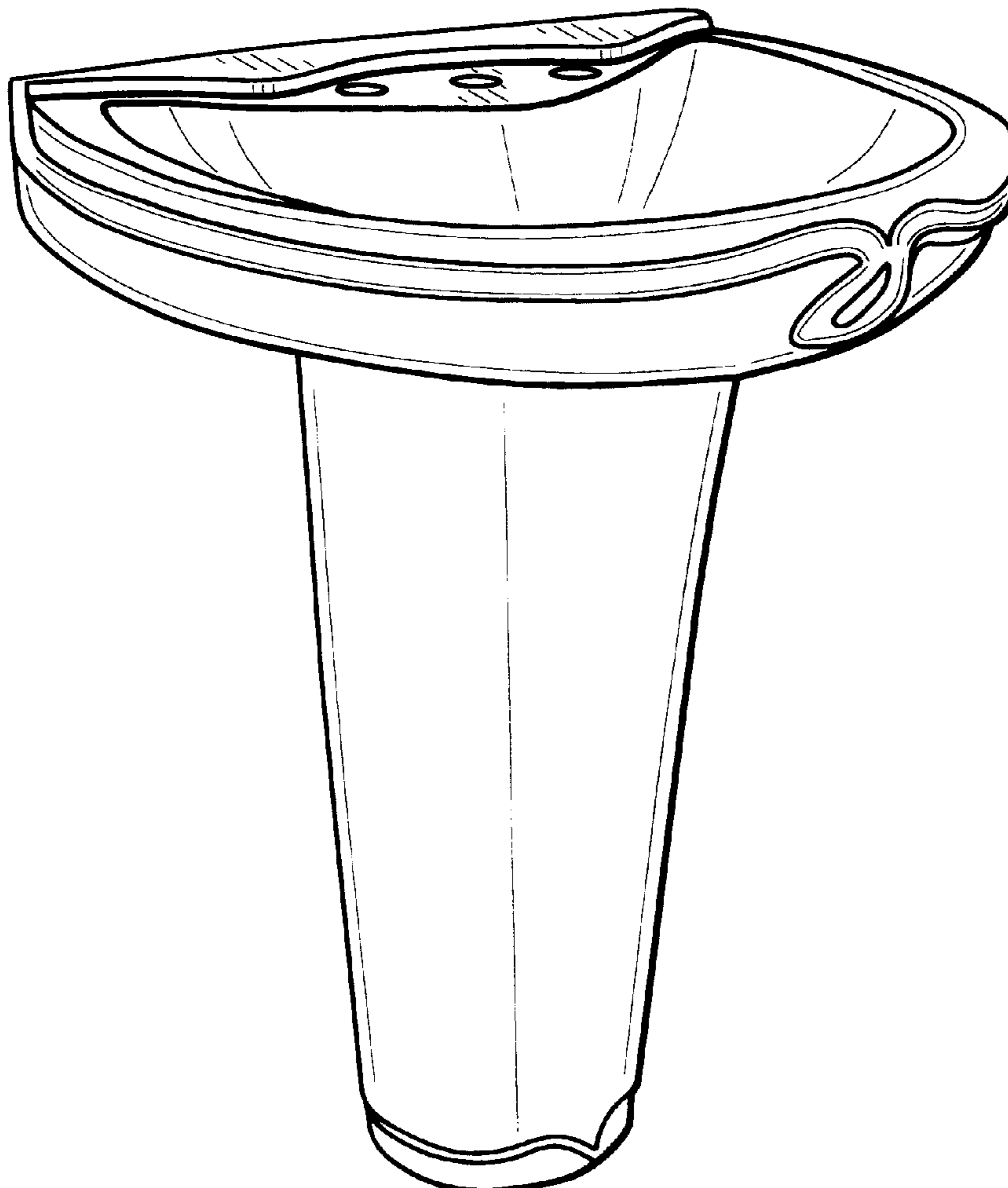
FIG. 4 is a left side elevation view of the washstand with pedestal of FIG. 1; and,

FIG. 5 is a right side elevation view of the washstand with pedestal of FIG. 1.

The rear view of the washstand with pedestal of FIG. 1 is plain and unornamented.

The bottom view of the washstand with pedestal of FIG. 1 is plain and unornamented.

1 Claim, 2 Drawing Sheets



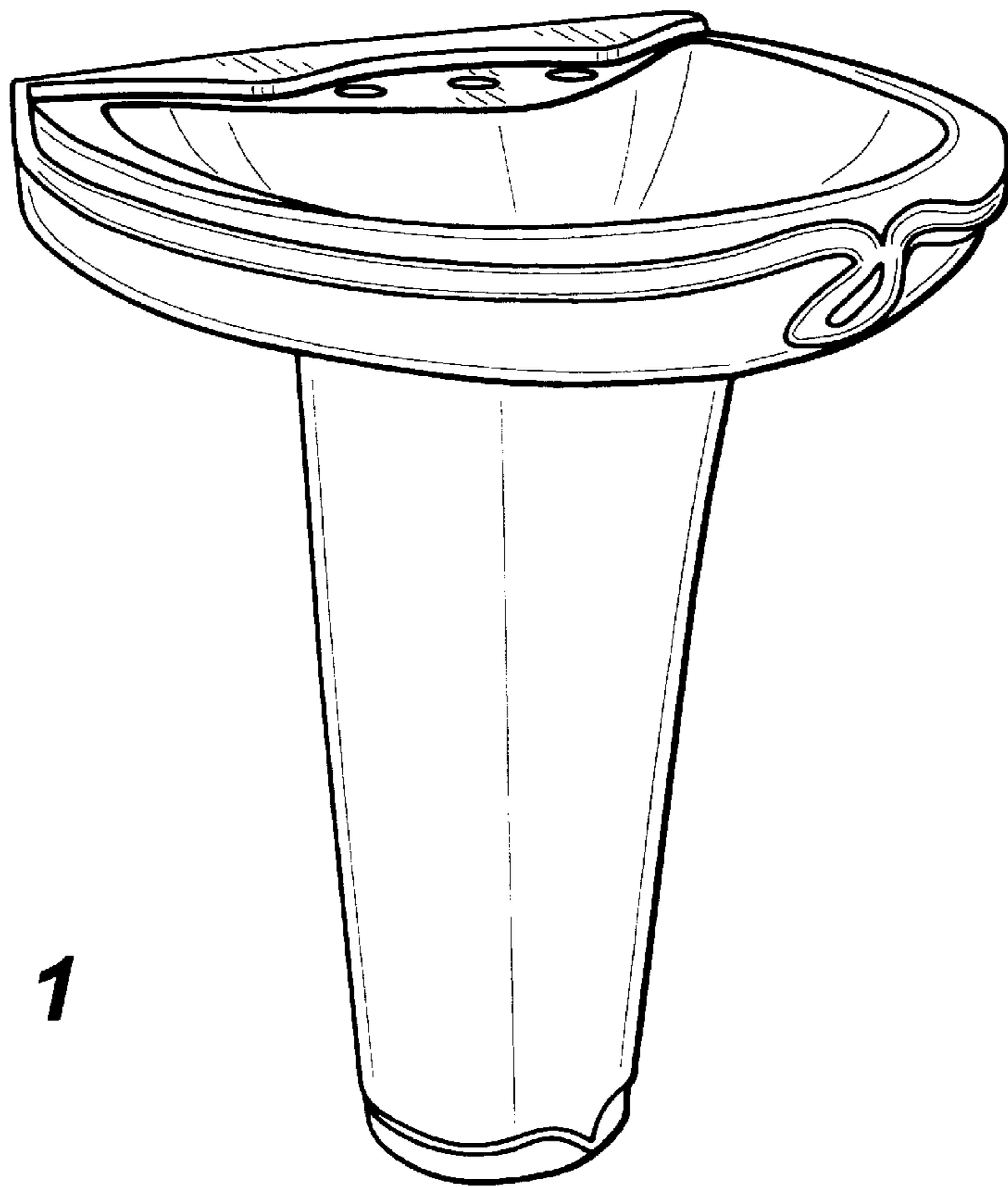


FIG. 1

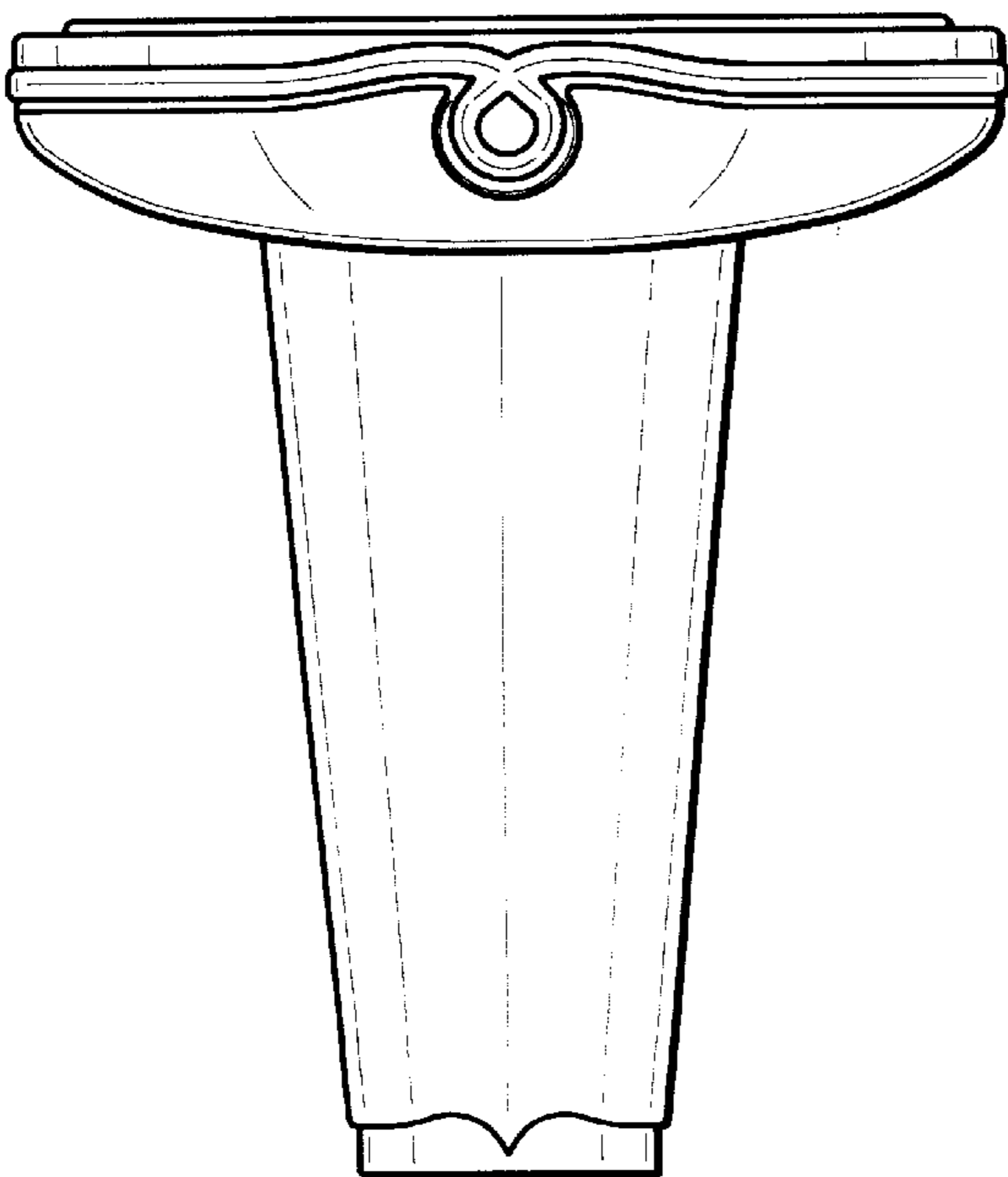


FIG. 2

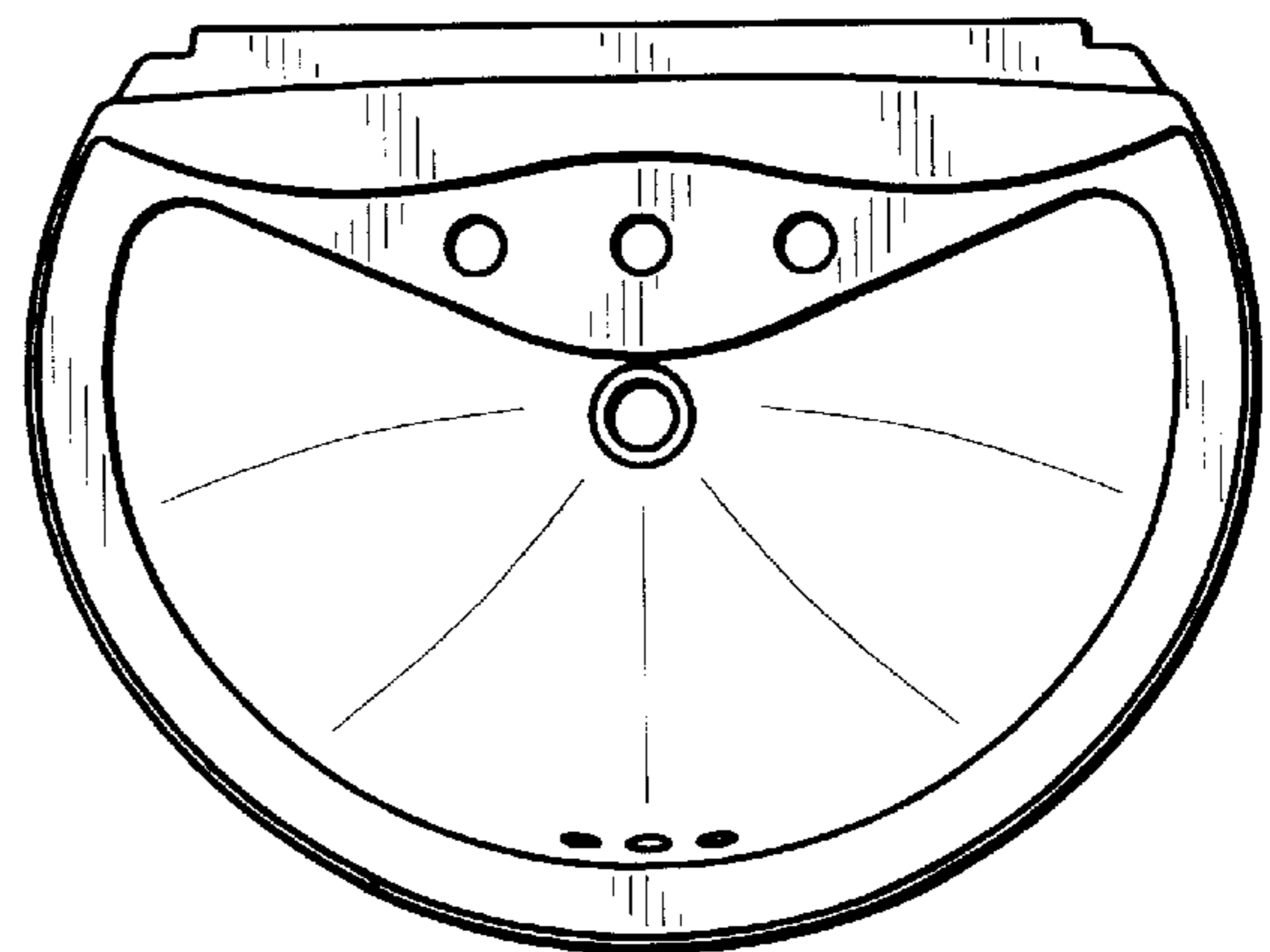


FIG. 3

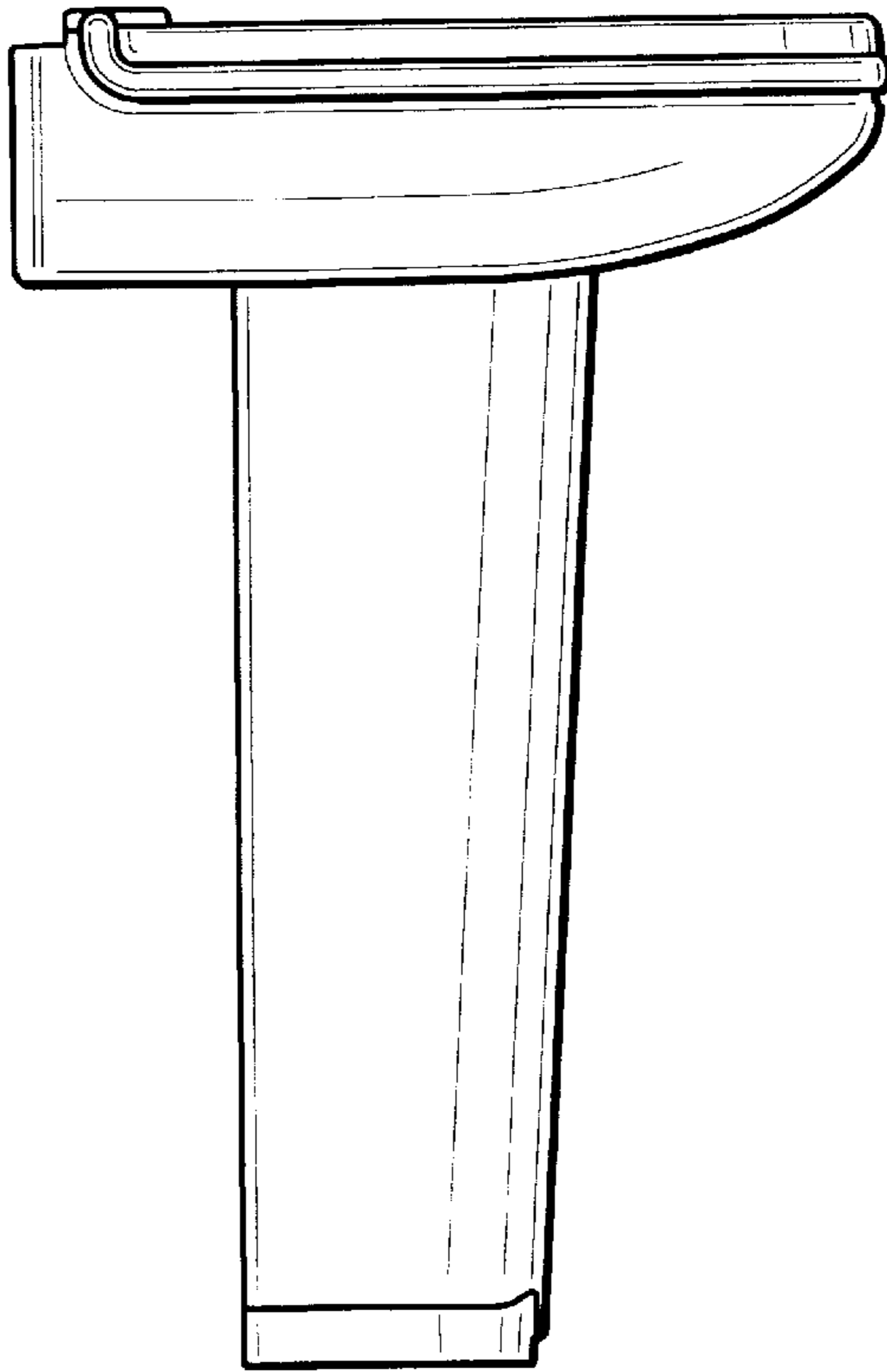


FIG. 4

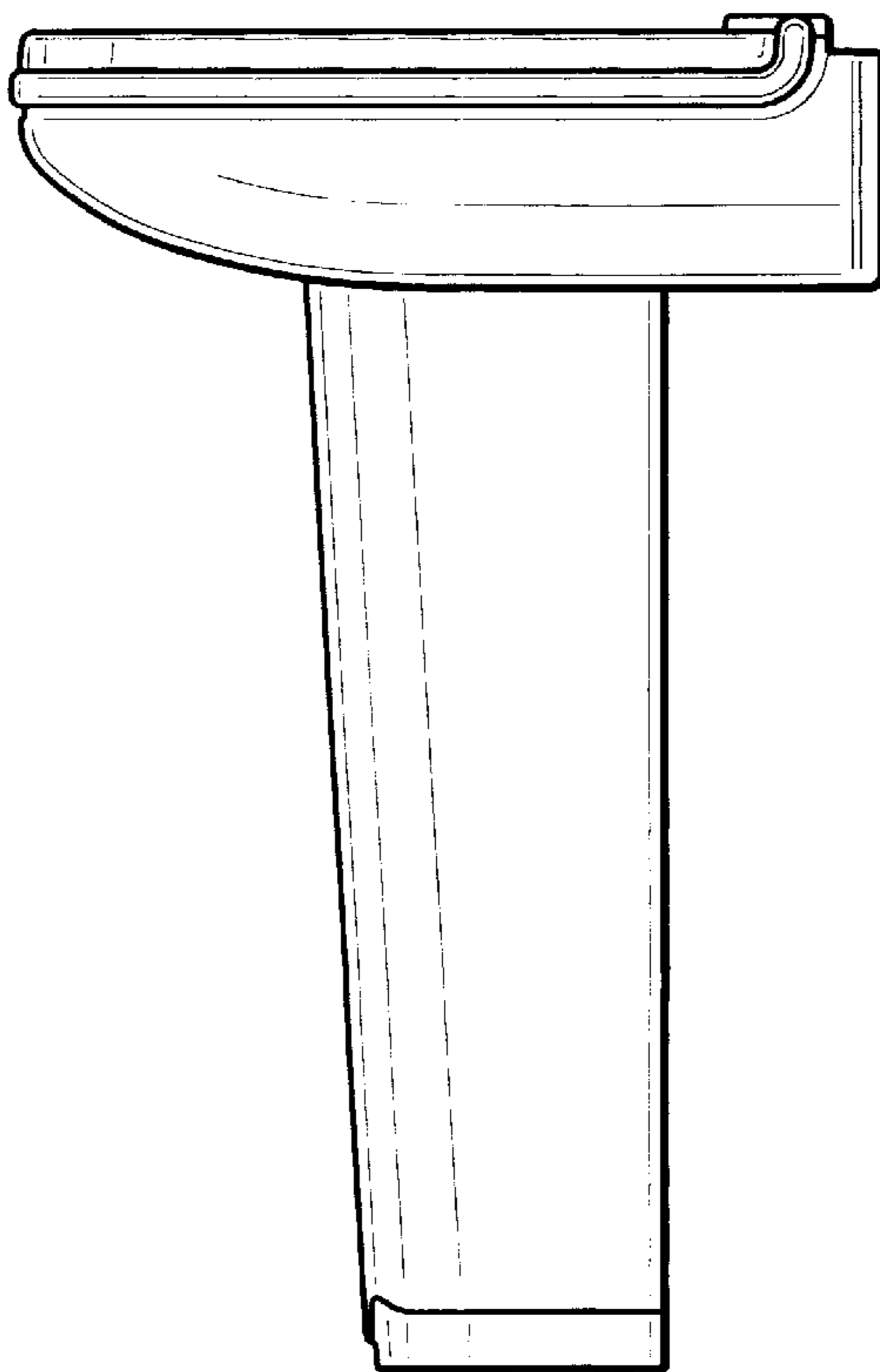


FIG. 5