



US00D415261S

United States Patent [19] Thomas

[11] **Patent Number: Des. 415,261**

[45] **Date of Patent: ** Oct. 12, 1999**

[54] **LAVATORY**

[75] Inventor: **Carter J. Thomas**, Cedarburg, Wis.

[73] Assignee: **Kohler Co.**, Kohler, Wis.

[**] Term: **14 Years**

[21] Appl. No.: **29/097,642**

[22] Filed: **Dec. 10, 1998**

[51] **LOC (6) Cl.** **23-02**

[52] **U.S. Cl.** **D23/284**

[58] **Field of Search** D23/284-293.1;
4/619, 624, 626, 638-650

[56] **References Cited**

U.S. PATENT DOCUMENTS

D. 115,623	7/1939	Kohlmeyer	D23/284
D. 143,104	12/1945	Young	D23/284
D. 193,605	9/1962	Corp	D23/284
D. 198,016	4/1964	Kaiser	D23/284
D. 387,857	12/1997	McKeone	D23/284

OTHER PUBLICATIONS

1997 Kohler catalog ad, p. 14.24, showing a "Memoirs" lavatory.
1987 Kohler catalog ad, pp. 8-25, showing a "Jamestown" lavatory.

1989 Pozzi-Ginori catalog ad showing a pedestal lavatory.

Primary Examiner—Doris Clark
Assistant Examiner—Eric Watterson
Attorney, Agent, or Firm—Quarles & Brady LLP

[57] **CLAIM**

The ornamental design for a lavatory, as shown and described.

DESCRIPTION

FIG. 1 is a right, top, front perspective view of a lavatory embodying my new design;
FIG. 2 is a top plan view thereof;
FIG. 3 is a front elevational view thereof;
FIG. 4 is a right side elevational view thereof, the left side elevational view being a mirror image of the right side shown;
FIG. 5 is a rear elevational view thereof;
FIG. 6 is a bottom plan view thereof;
FIG. 7 is a cross-sectional view taken along line 7-7 of FIG. 2; and,
FIG. 8 is a cross-sectional view taken along line 8-8 of FIG. 2.

The broken line representations of a mounting environment in FIG. 1 and of holes in FIGS. 1, 2, 3, 5, 6, and 7 are for the purpose of illustration only, and form no part of the claimed design.

1 Claim, 3 Drawing Sheets

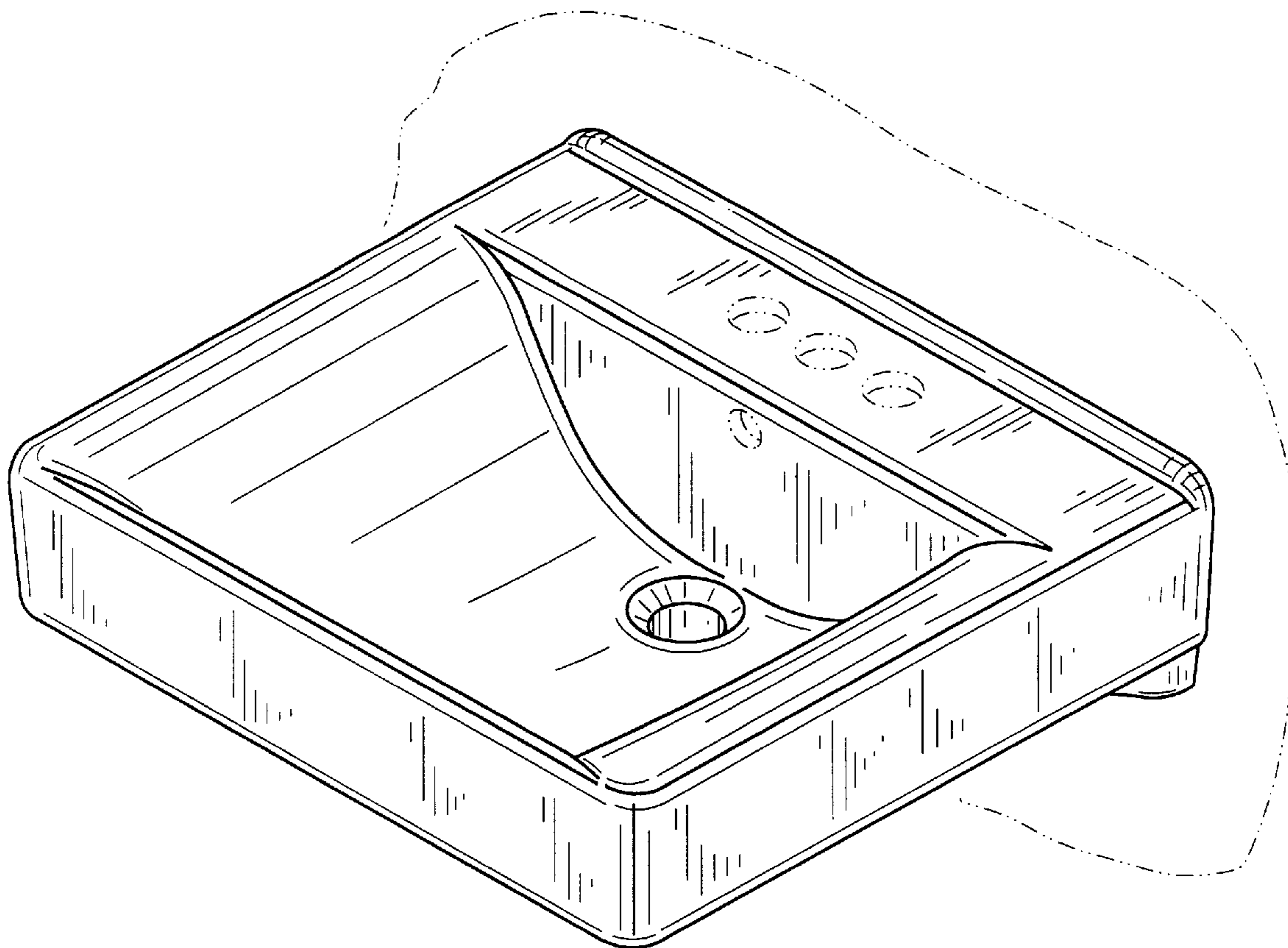


FIG. 1

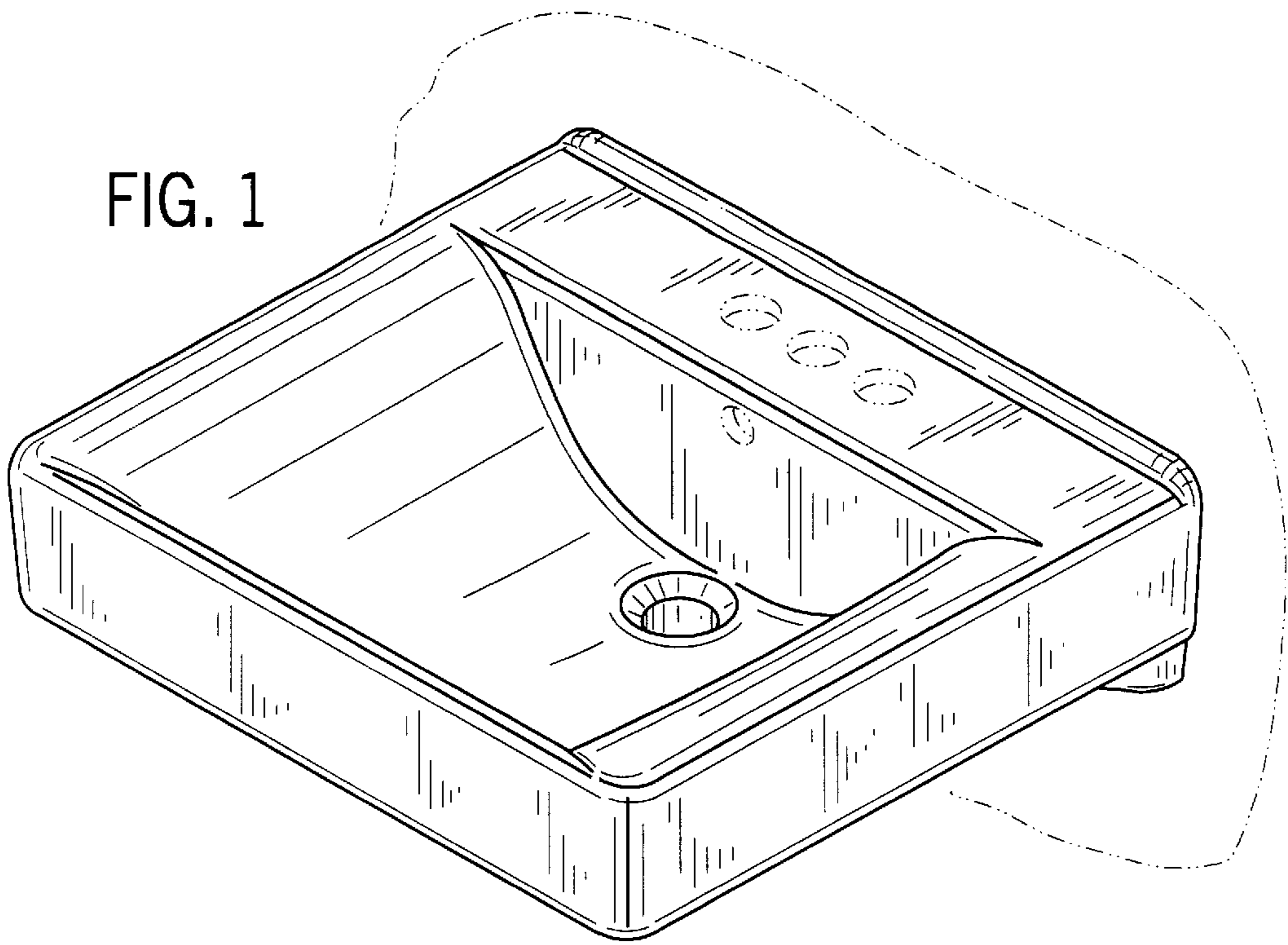


FIG. 2

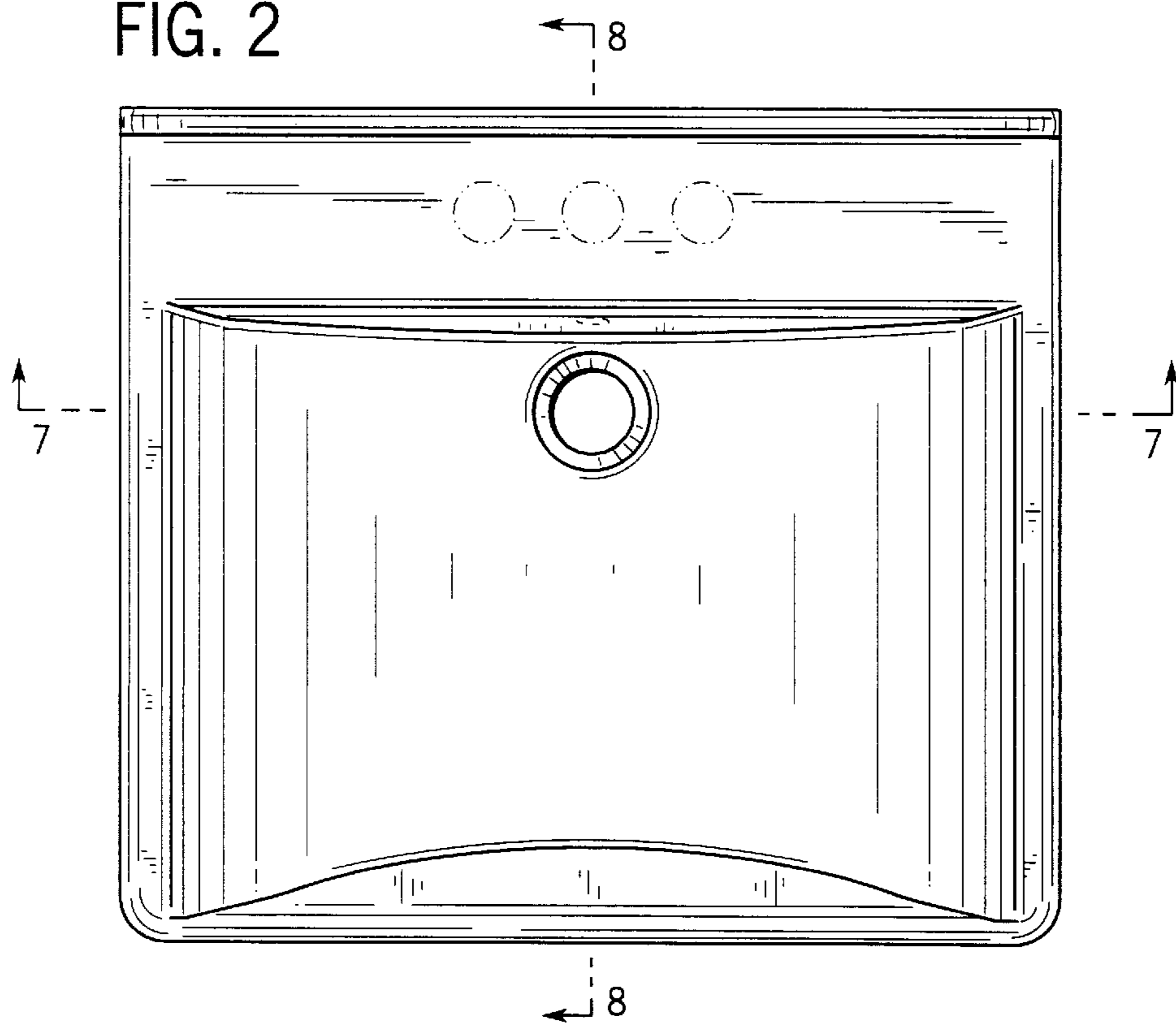


FIG. 3

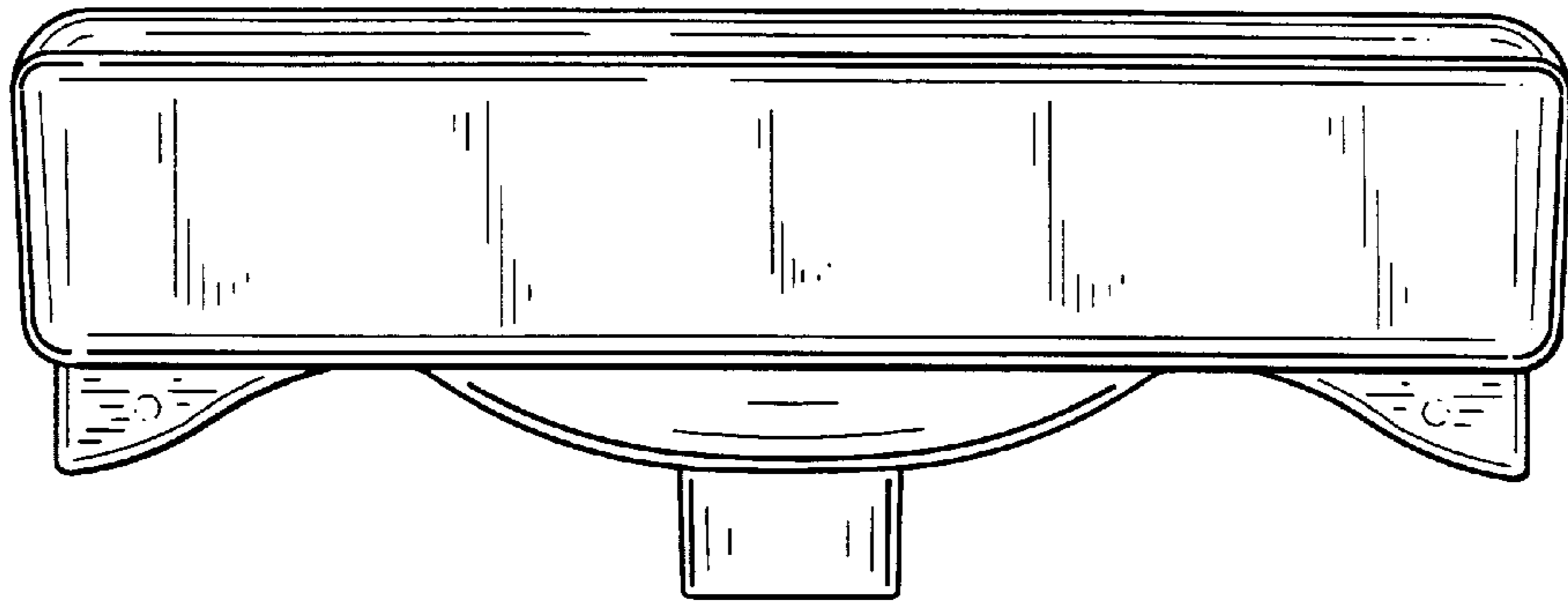


FIG. 4

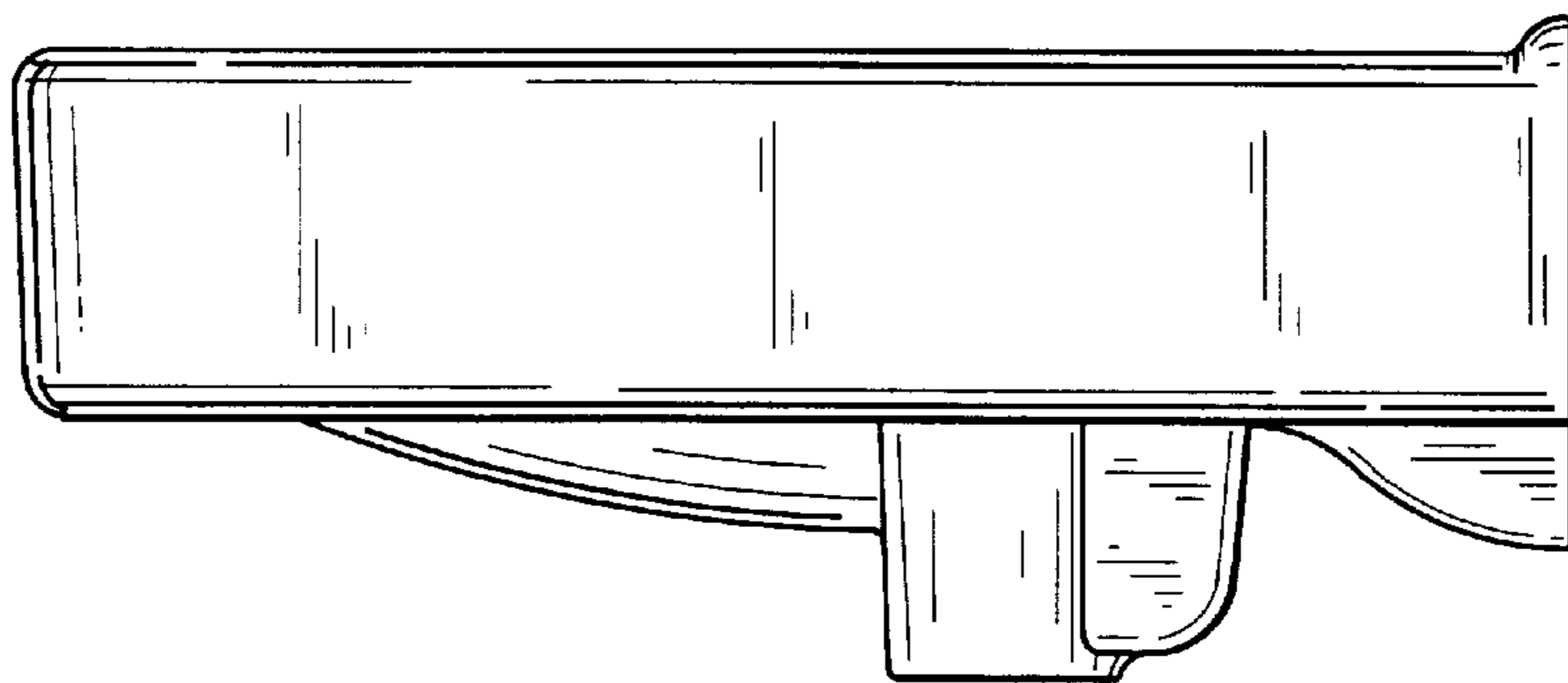


FIG. 5

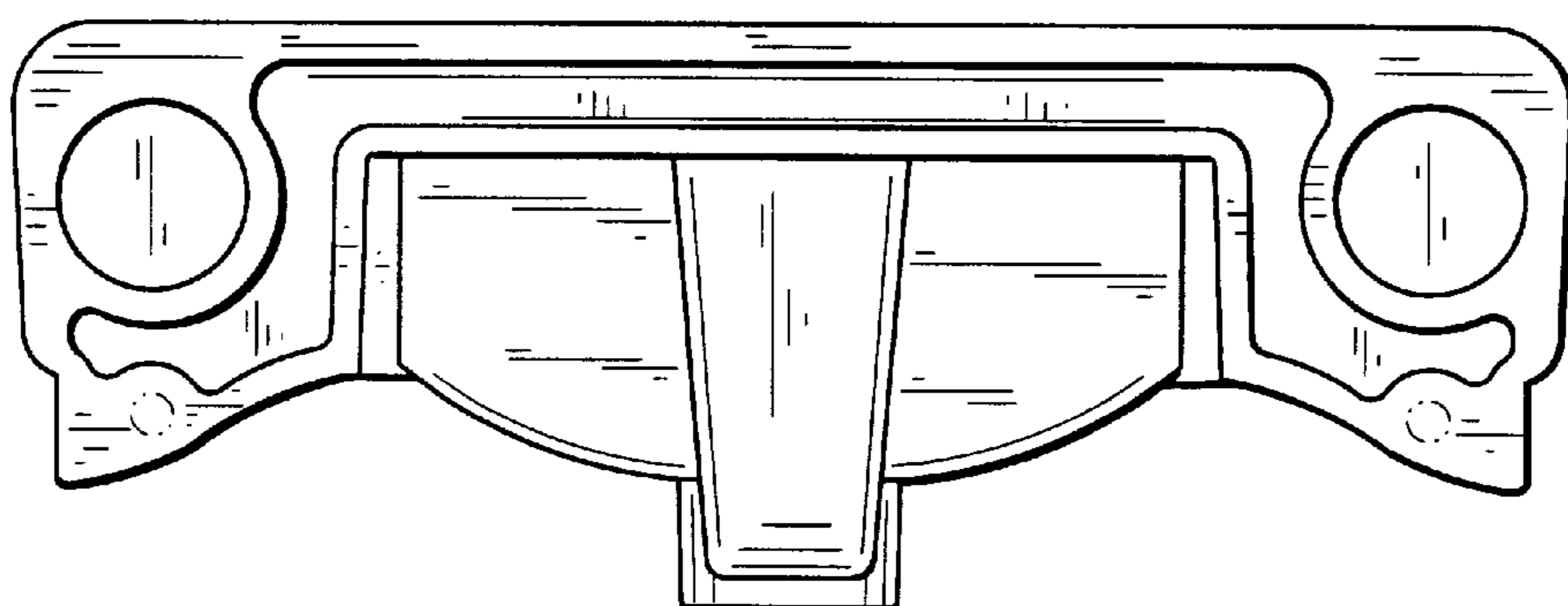


FIG. 6

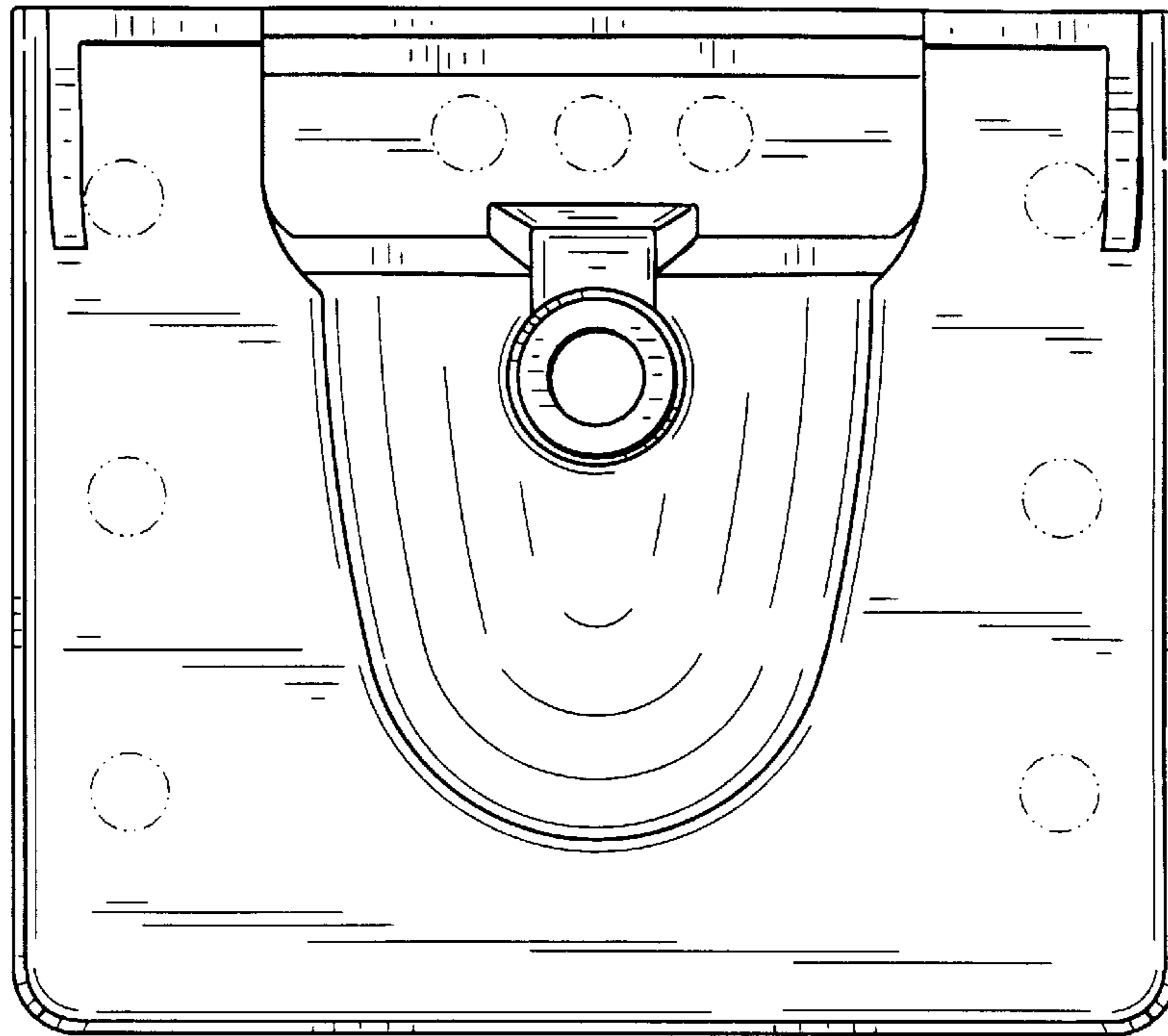


FIG. 7

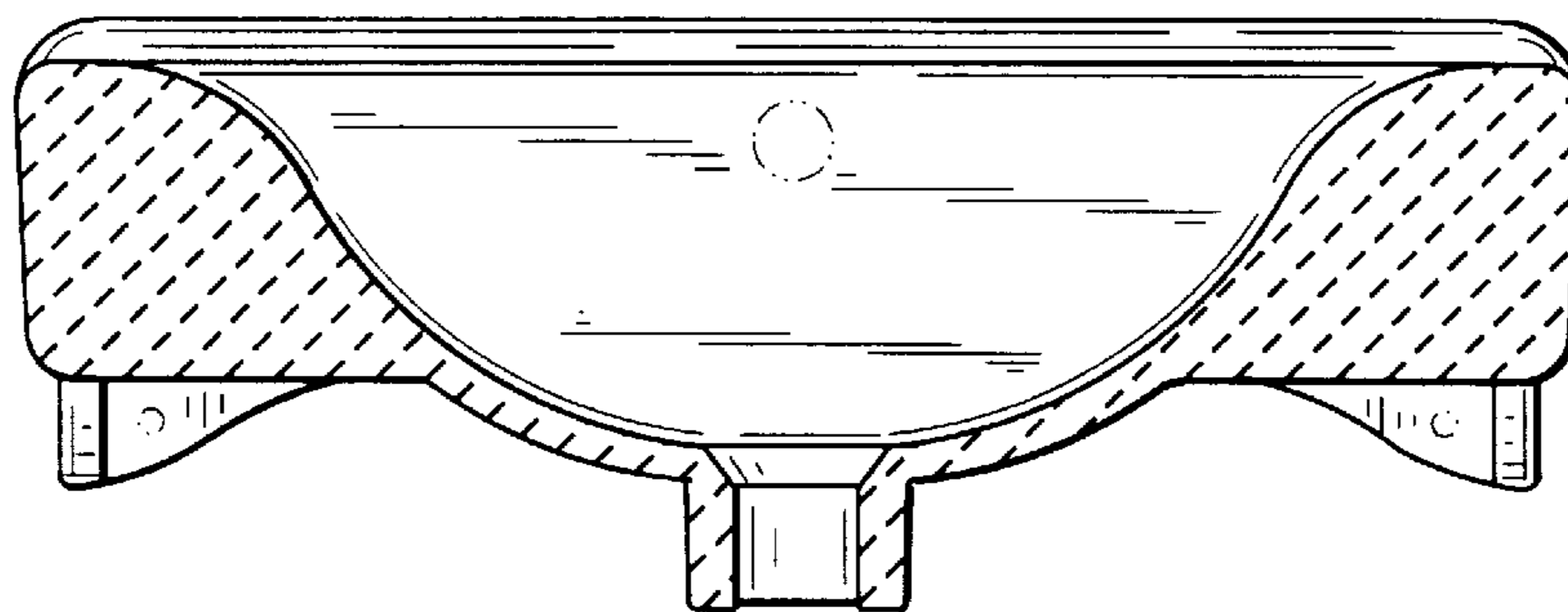


FIG. 8

