



US00D415259S

United States Patent [19] Slothower

[11] Patent Number: **Des. 415,259**

[45] Date of Patent: **** Oct. 12, 1999**

[54] **SPOUT**

[75] Inventor: **Anna-Pia K. Slothower**, Sheboygan, Wis.

[73] Assignee: **Kohler Co.**, Kohler, Wis.

[**] Term: **14 Years**

[21] Appl. No.: **29/097,639**

[22] Filed: **Dec. 10, 1998**

[51] **LOC (6) Cl.** **23-01**

[52] **U.S. Cl.** **D23/255**

[58] **Field of Search** D23/238-243,
D23/250-257; 4/675-678; 137/801

[56] **References Cited**

U.S. PATENT DOCUMENTS

D. 25,950	8/1896	Totham	D23/238
D. 32,289	2/1900	Geurink	D23/238
D. 117,171	10/1939	Fraser	D23/257
D. 235,099	5/1975	Doman	D23/257
D. 263,991	4/1982	Fleischmann et al.	D23/257
D. 287,395	12/1986	Piesco	D23/255
D. 293,601	1/1988	Hill et al.	D23/255

OTHER PUBLICATIONS

A Sterling ad showing "Accent" faucets, undated, admitted prior art.

1998 Kohler catalog ad, p. 2.54, showing "Fairfax" faucet.

An Altmans ad showing "Suite 60" faucets, undated, admitted prior art.

A Harden ad showing "88 Series" faucets, undated, admitted prior art.

1990 Kohler catalog ad, p. 16, showing "IV Georges" faucets.

Primary Examiner—Louis S. Zarfes
Assistant Examiner—Eric Watterson
Attorney, Agent, or Firm—Quarles & Brady LLP

[57] **CLAIM**

The ornamental design for a spout, as shown and described.

DESCRIPTION

FIG. 1 is a left, top, front perspective view of a spout embodying my new design;

FIG. 2 is a left side elevational view thereof, the right side elevational view being a mirror image of the left side shown;

FIG. 3 is a top plan view thereof;

FIG. 4 is a bottom plan view thereof;

FIG. 5 is a front elevational view thereof; and,

FIG. 6 is a rear elevational view thereof.

The broken lines representations of a mounting environment in FIG. 1, and of holes in FIG. 4, are for the purpose of illustration only, and form no part of the claimed design.

1 Claim, 2 Drawing Sheets

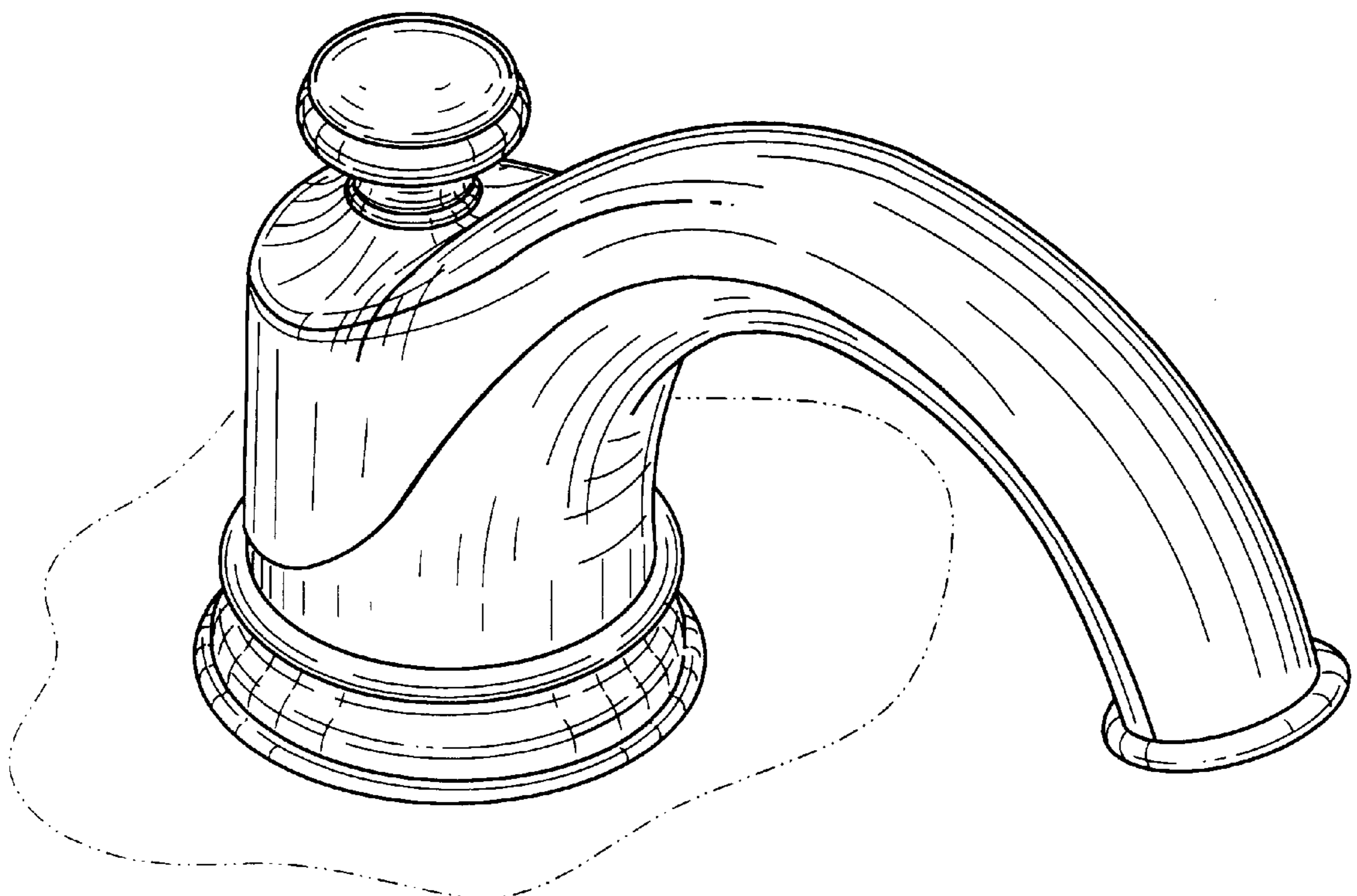


FIG. 1

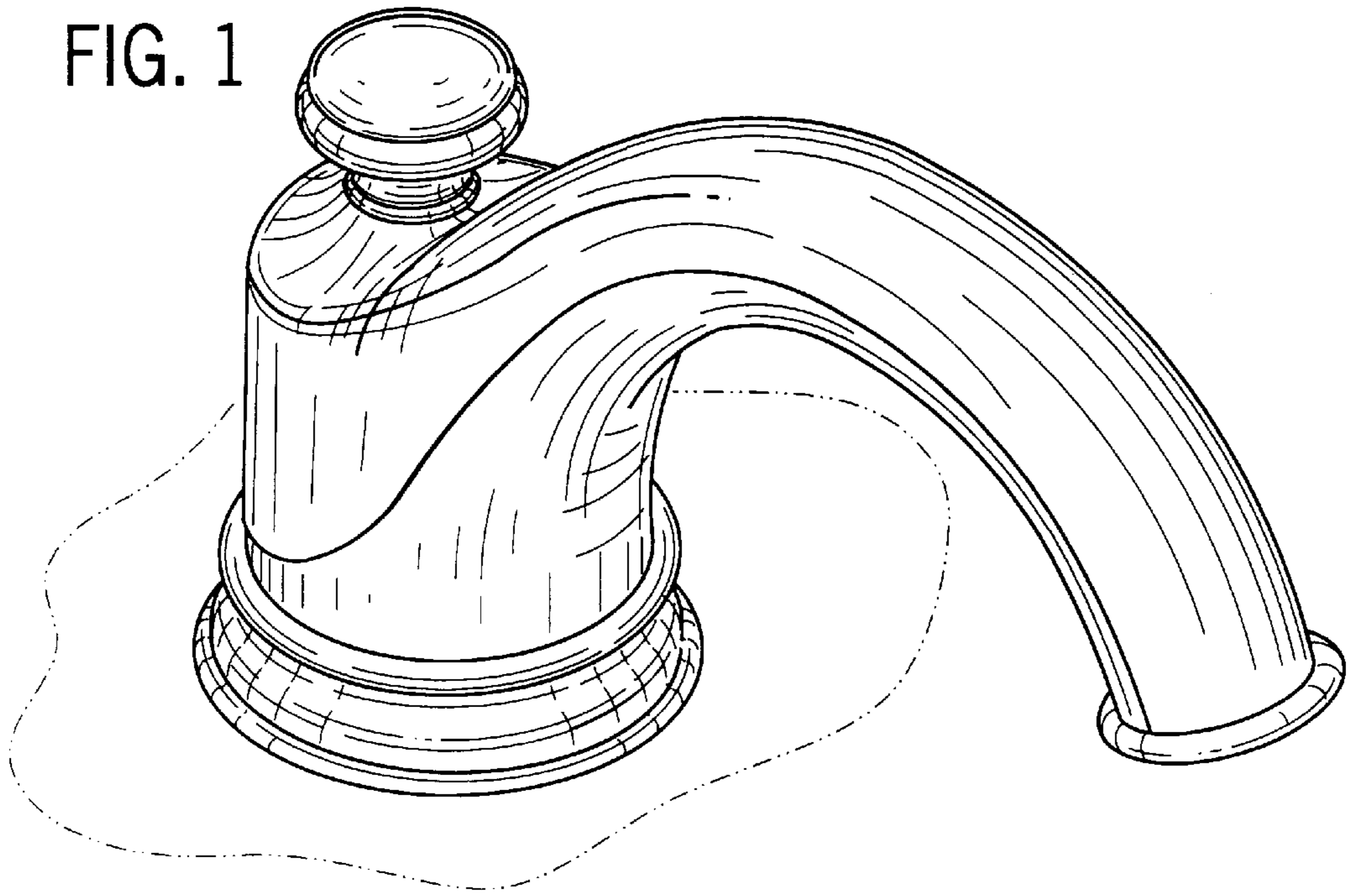


FIG. 2

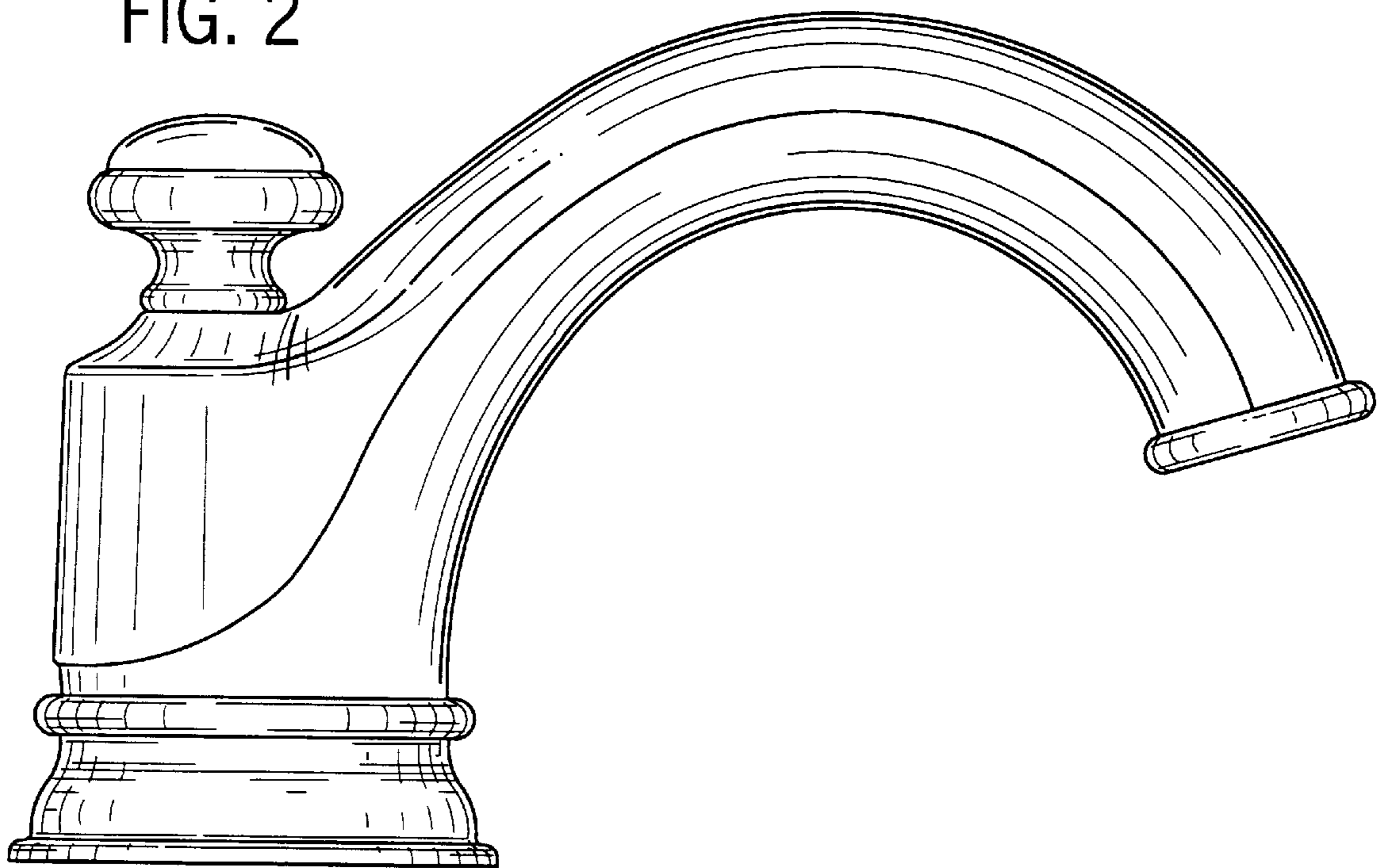


FIG. 3

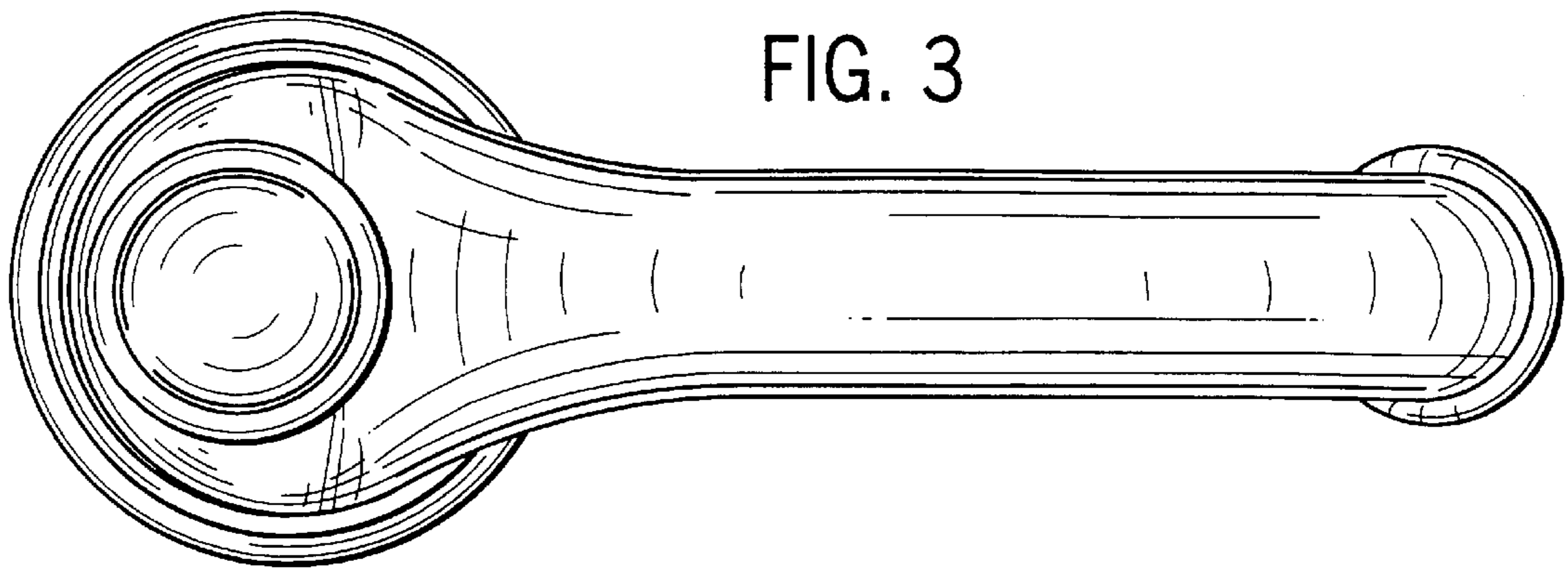


FIG. 4

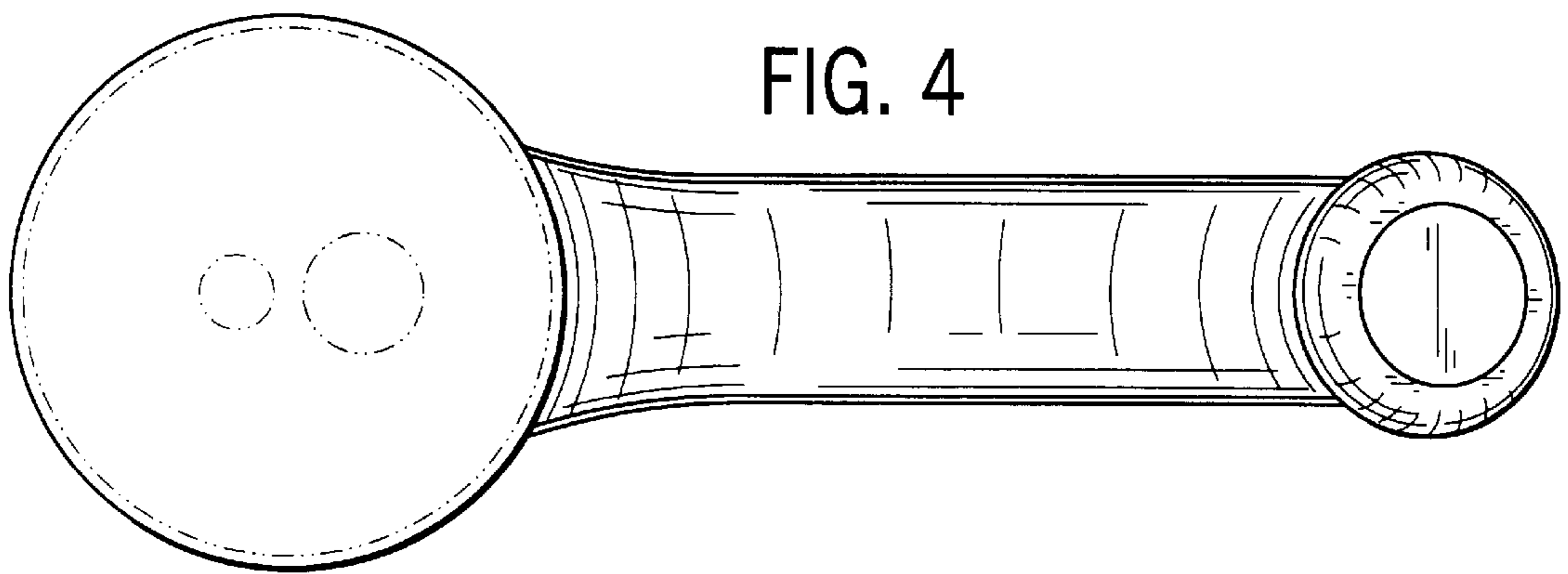


FIG. 5

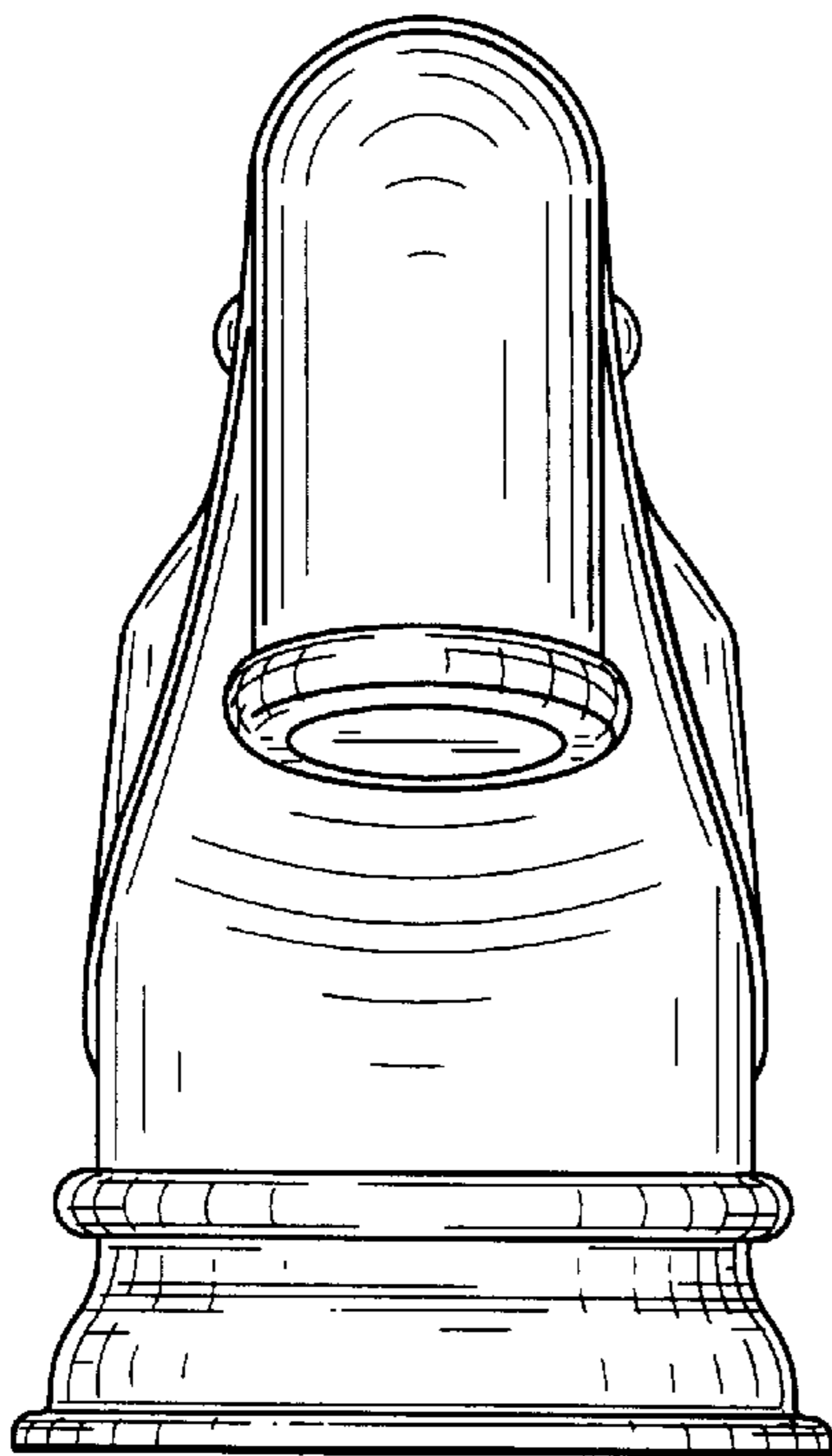


FIG. 6

