



US00D415255S

United States Patent [19]

Hayashi et al.

[11] Patent Number: **Des. 415,255**

[45] Date of Patent: **** *Oct. 12, 1999**

[54] **ELECTROMAGNETIC VALVE**

[75] Inventors: **Bunya Hayashi; Masaru Narita**, both of Yawara-mura, Japan

[73] Assignee: **SMC Corporation**, Tokyo, Japan

[*] Notice: This patent is subject to a terminal disclaimer.

[**] Term: **14 Years**

[21] Appl. No.: **29/057,786**

[22] Filed: **Jul. 31, 1996**

[30] **Foreign Application Priority Data**

Feb. 9, 1996 [JP] Japan 8-3241

[51] **LOC (6) Cl.** **23-01**

[52] **U.S. Cl.** **D23/233**

[58] **Field of Search** D23/233, 248, D23/247; 137/269, 271, 884; 15/7

[56] **References Cited**

U.S. PATENT DOCUMENTS

| | | | | |
|------------|--------|---------------|-------|-----------|
| D. 295,050 | 4/1988 | Kanno | | D15/7 |
| D. 335,172 | 4/1993 | Tamaki | | D23/248 |
| D. 338,258 | 8/1993 | Tamaki | | D23/248 |
| 4,402,651 | 9/1983 | Ise | | 137/271 X |
| 5,333,647 | 8/1994 | Fukano et al. | | 137/884 |

| | | | | |
|-----------|---------|---------------|-------|-----------|
| 5,459,953 | 10/1995 | Fukano et al. | | 137/884 X |
| 5,462,087 | 10/1995 | Fukano et al. | | 137/884 |
| 5,529,088 | 6/1996 | Asou | | 132/217 X |

OTHER PUBLICATIONS

CENS Taiwan Hardware Aug. 1995; p. 128 — valves indicated by arrows.

Primary Examiner—Ted Shooman
Assistant Examiner—C. Tuttle
Attorney, Agent, or Firm—Oblon, Spivak, McClelland, Maier & Neustadt, P.C.

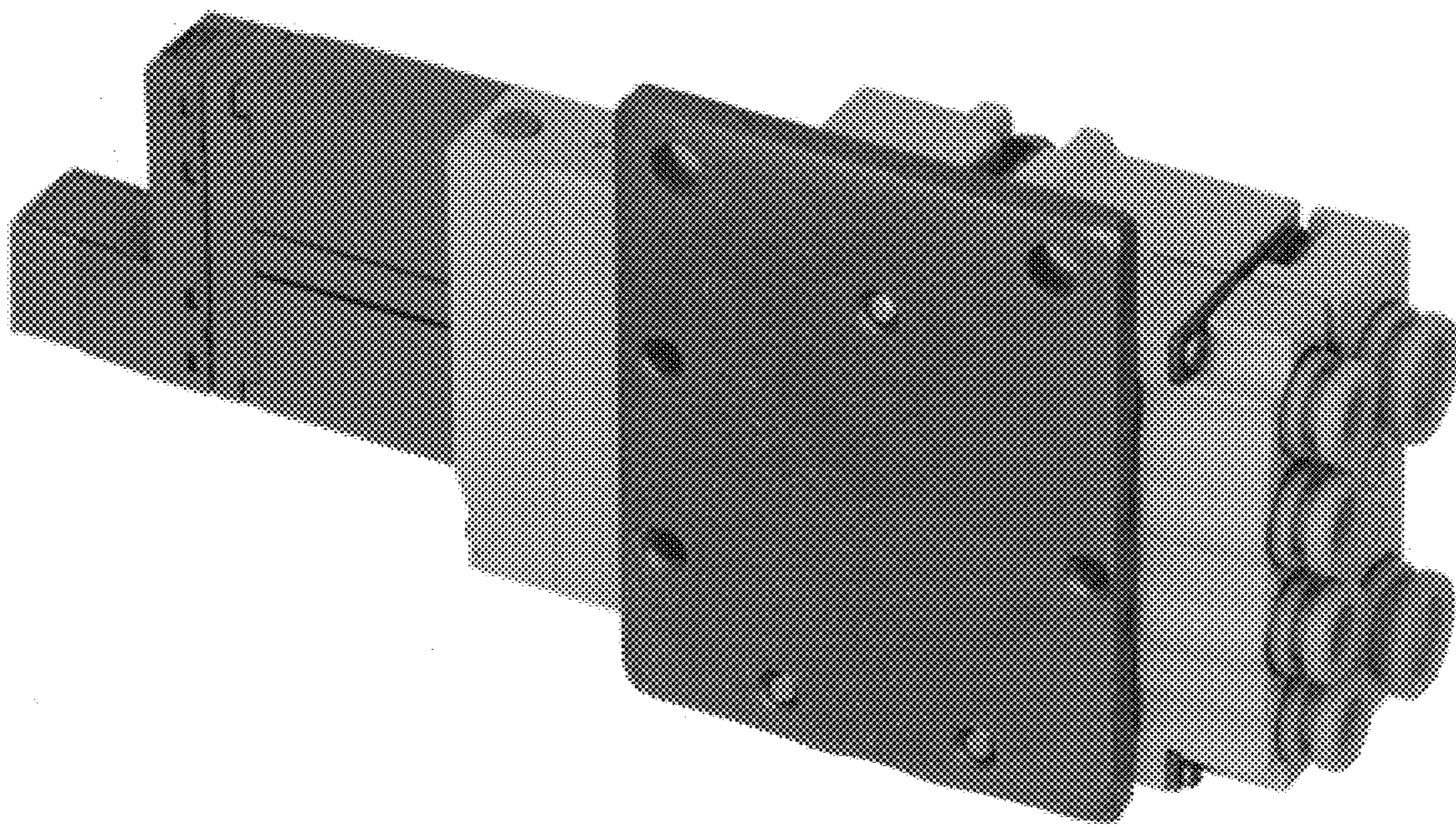
[57] **CLAIM**

The ornamental design for an electromagnetic valve, as shown.

DESCRIPTION

FIG. 1 is a top, front and left side perspective view of electromagnetic valve embodying our new design; FIG. 2 is a bottom, rear and right side perspective view thereof; FIG. 3 is a front elevational view thereof; FIG. 4 is a rear elevational view thereof; FIG. 5 is a left side view thereof; FIG. 6 is a right side view thereof; FIG. 7 is a top plan view thereof; and, FIG. 8 is a bottom view thereof.

1 Claim, 4 Drawing Sheets



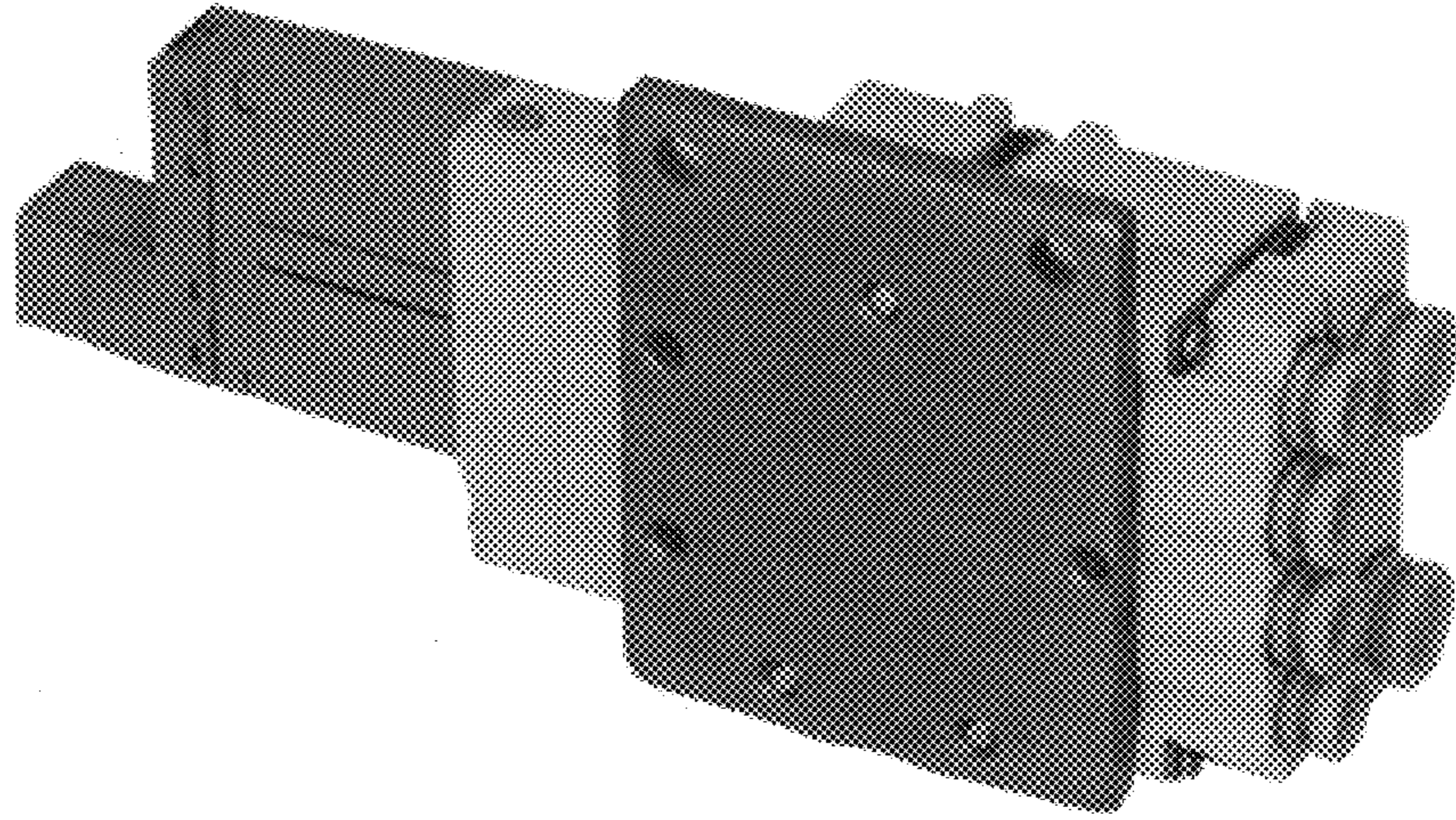


FIG. 1

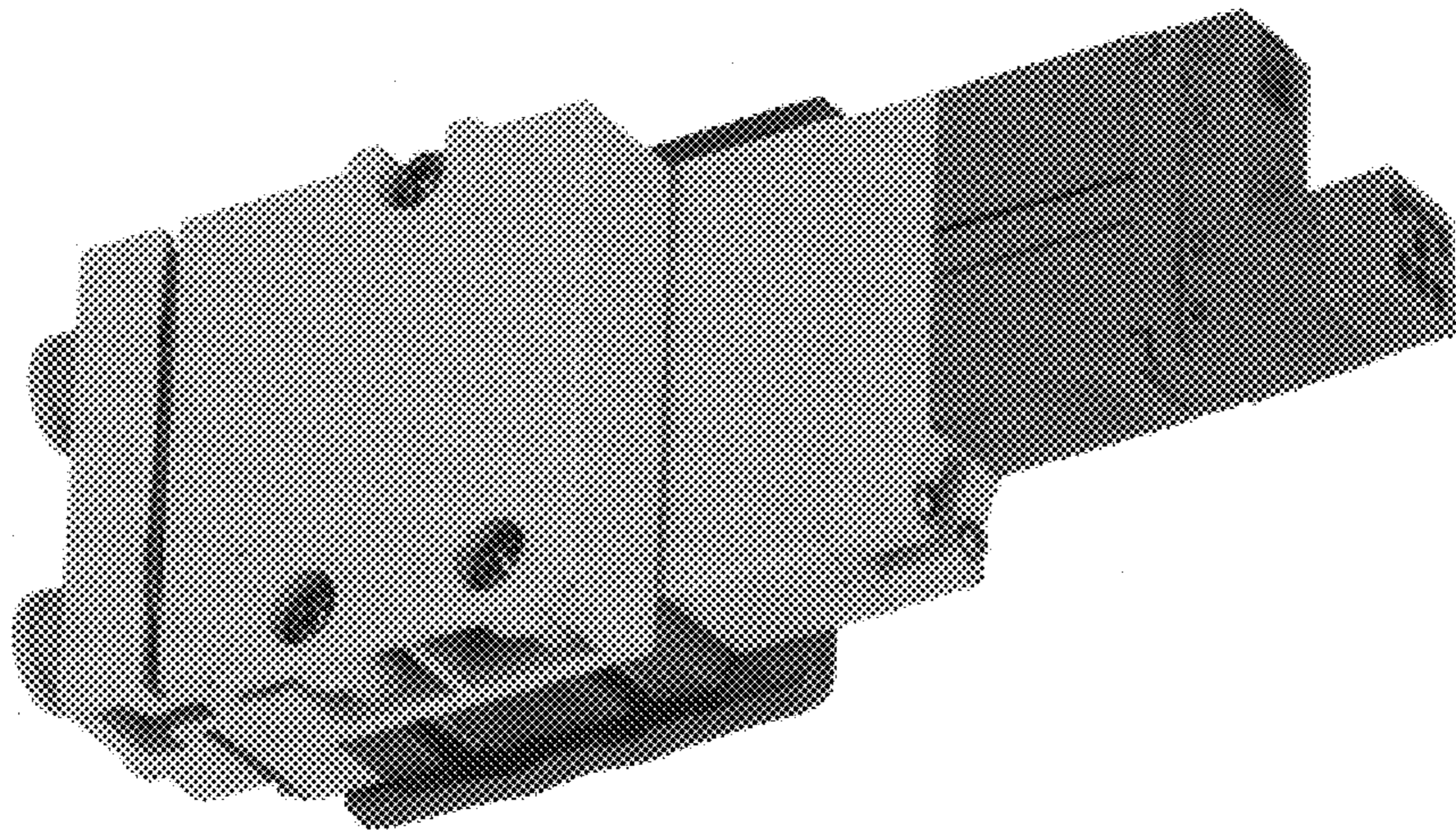


FIG. 2

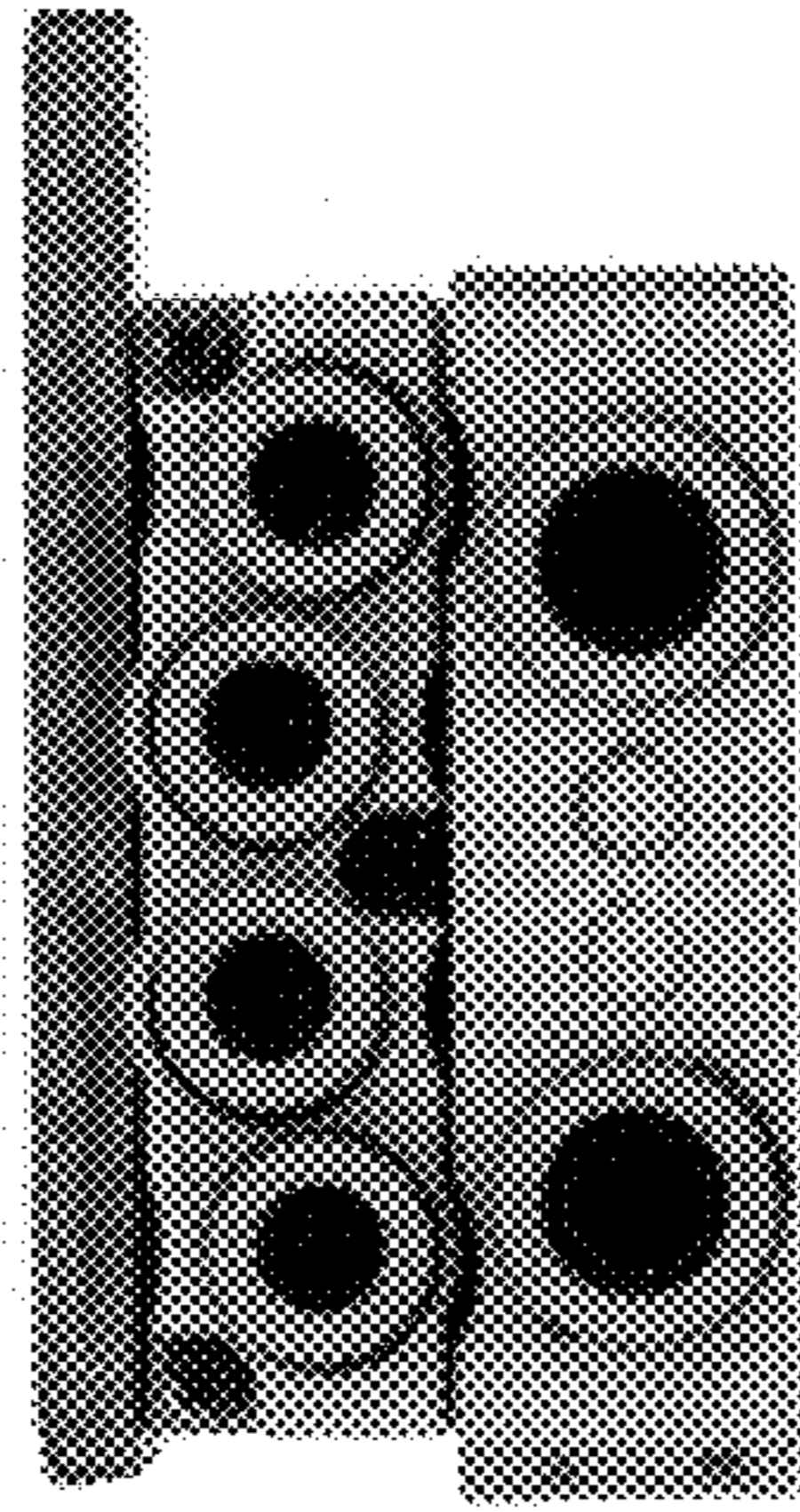


FIG. 3

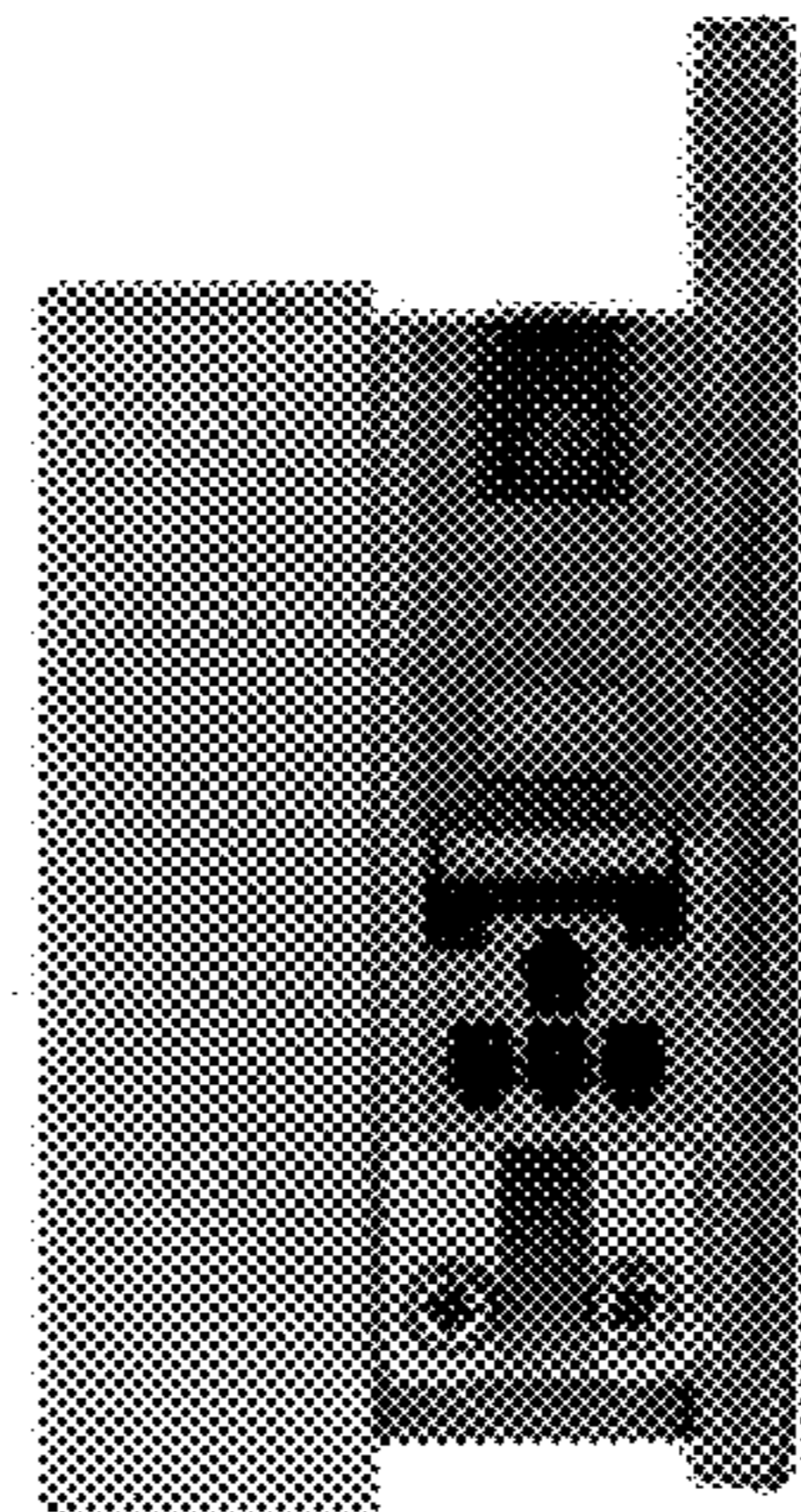


FIG. 4

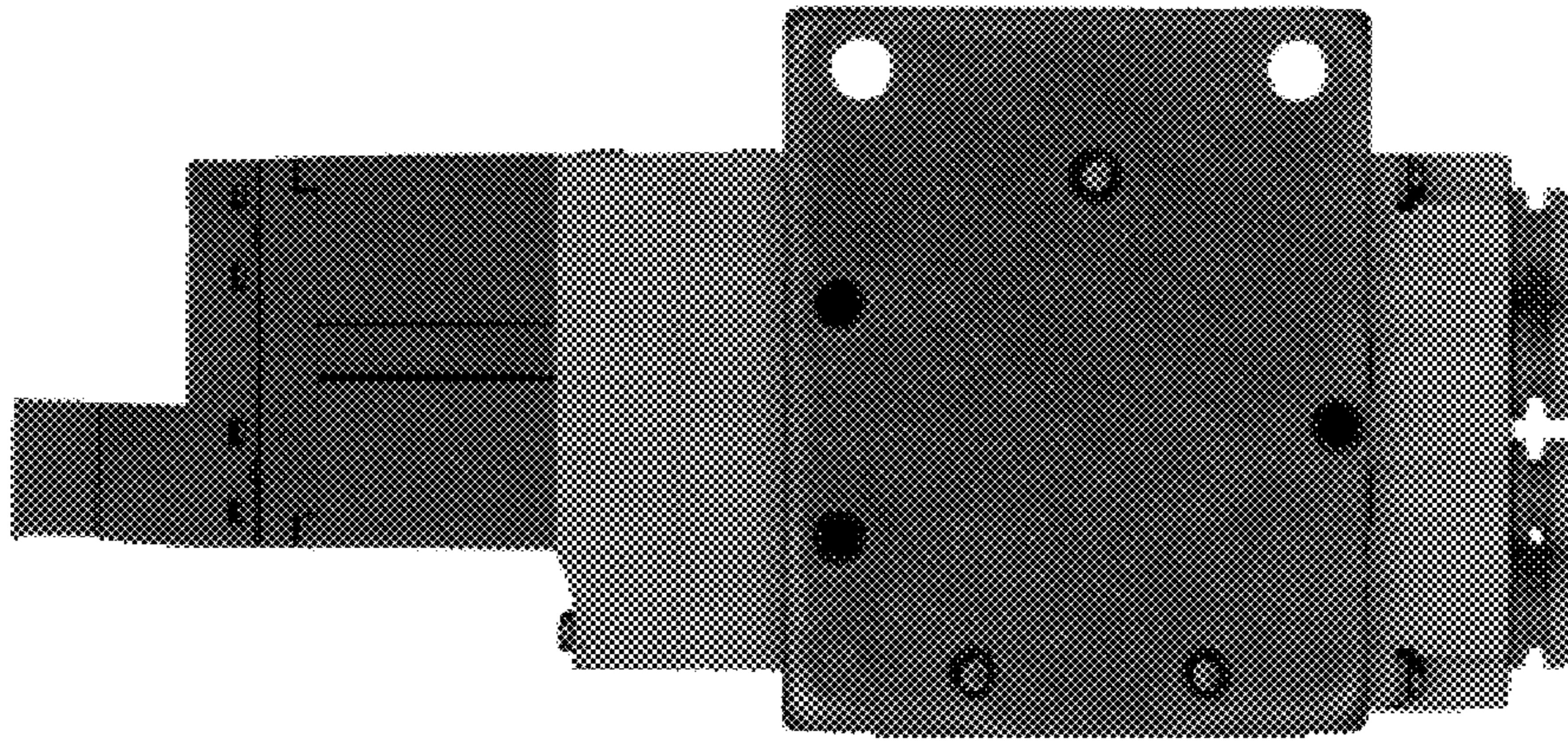


FIG. 5

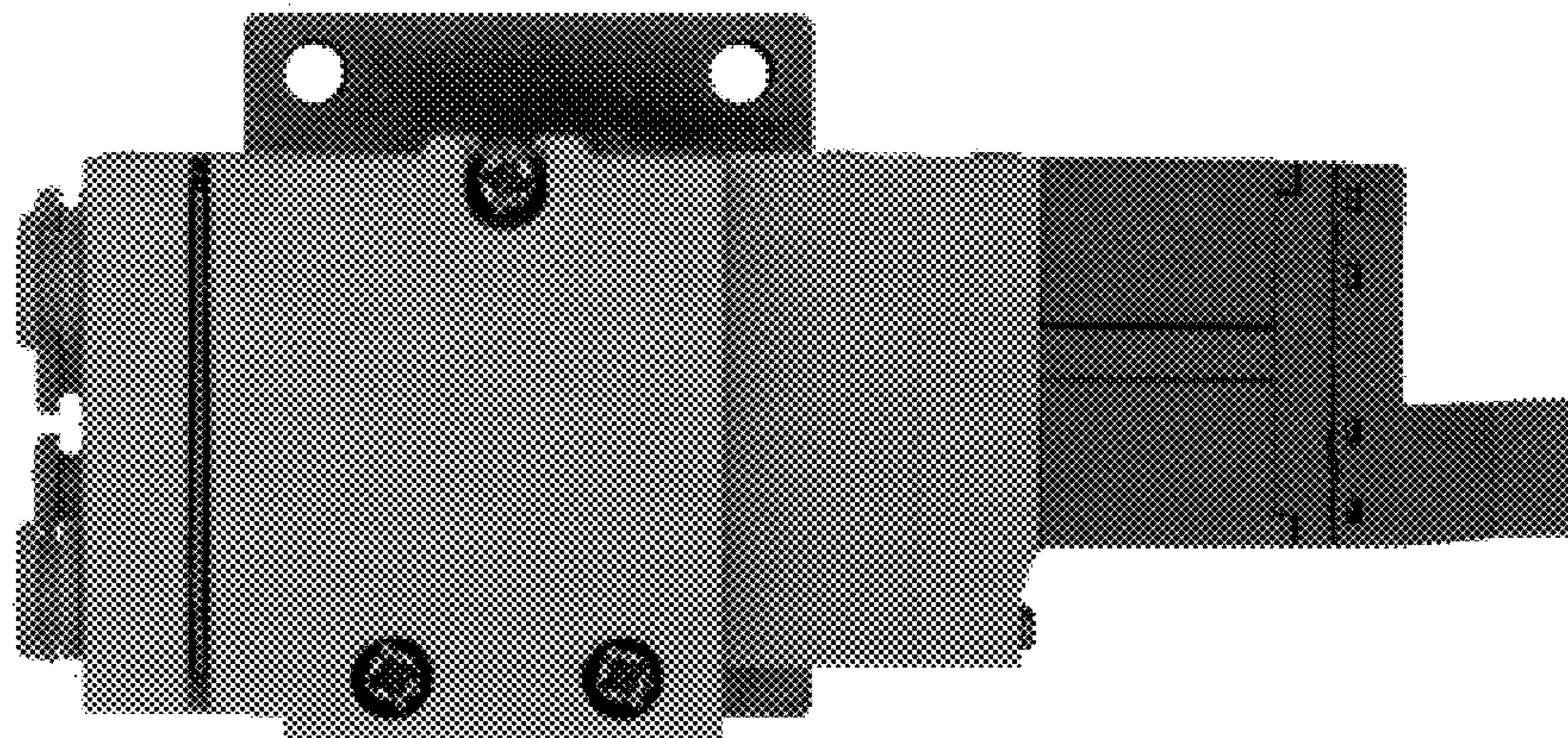


FIG. 6

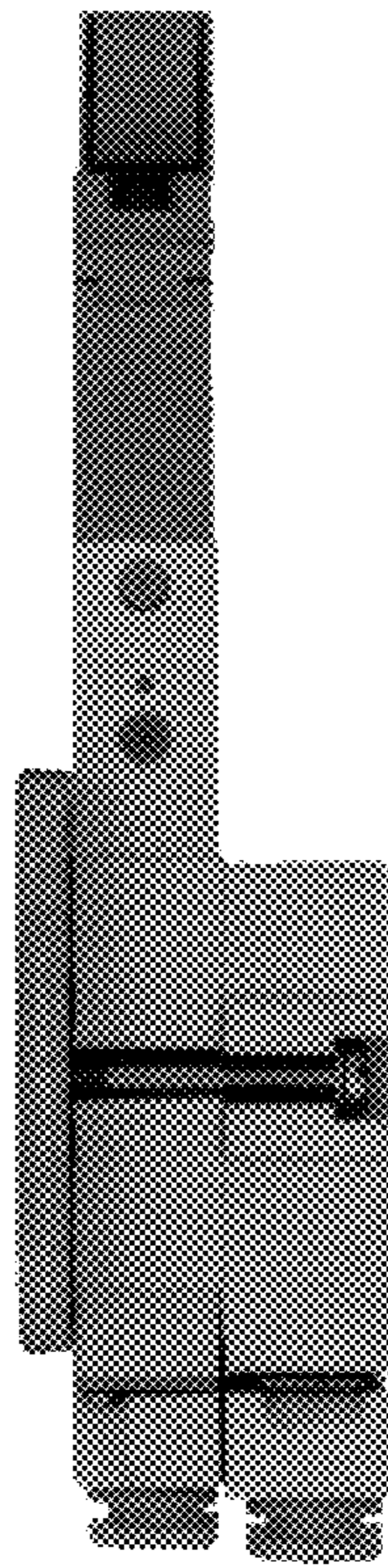


FIG. 7



FIG. 8