



US00D415254S

United States Patent [19]

Campbell et al.

[11] Patent Number: Des. 415,254

[45] Date of Patent: ** Oct. 12, 1999

[54] HAND PUMP

[75] Inventors: **Glenn M. Campbell**, Maple Grove;
Douglas Kluge, Clearwater, both of
Minn.

[73] Assignee: **The Saunders Group, Inc.**, Chaska,
Minn.

[**] Term: **14 Years**

[21] Appl. No.: **29/089,044**

[22] Filed: **Jun. 5, 1998**

[51] LOC (6) Cl. **15-02**

[52] U.S. Cl. **D23/231**

[58] Field of Search D23/231, 232;
417/437, 467, 468, 469, 474; 92/59

4,320,749	3/1982	Highley .	
4,428,276	1/1984	Loveless .	
4,583,532	4/1986	Jones .	
4,649,907	3/1987	Whitehead et al. .	
4,669,455	6/1987	Bellati .	
4,995,378	2/1991	Dryer et al. .	
5,067,483	11/1991	Freed .	
5,092,322	3/1992	Gantz .	
5,169,160	12/1992	Gaskill et al. .	
5,181,904	1/1993	Cook et al. .	
5,360,392	11/1994	McCoy .	
5,382,226	1/1995	Graham .	
5,443,370	8/1995	Wang	417/469
5,653,678	8/1997	Fulk .	
5,722,941	3/1998	Hart .	

Primary Examiner—Robin V. Taylor
Attorney, Agent, or Firm—Faegre & Benson LLP

[57] CLAIM

The ornamental design for a hand pump, as shown and described.

DESCRIPTION

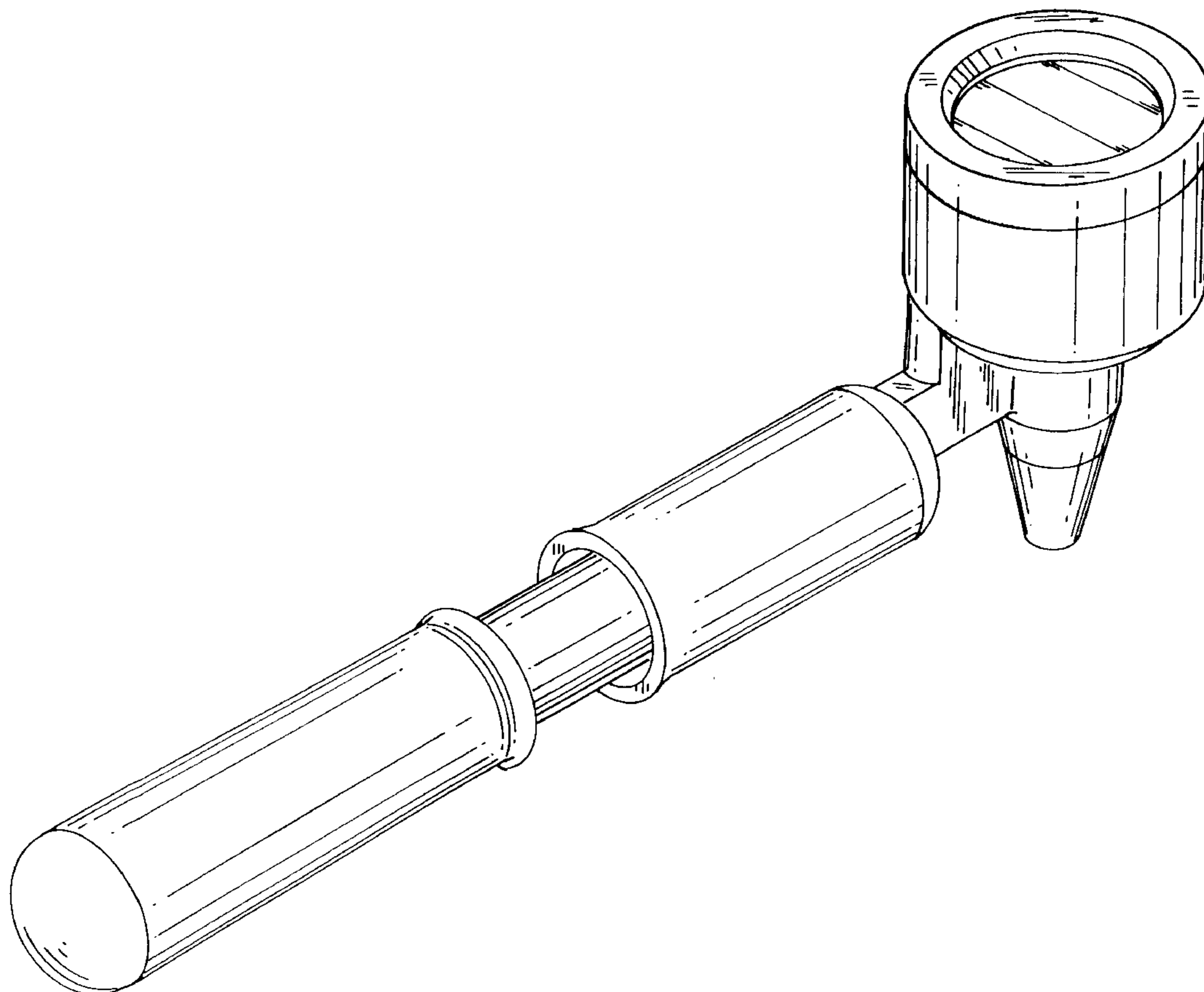
FIG. 1 is a view in perspective of a hand pump.
FIG. 2 is a side plan view of the hand pump of FIG. 1.
FIG. 3 is a top view of the hand pump of FIG. 1.
FIG. 4 is a bottom plan view of the hand pump of FIG. 1.
FIG. 5 is an end view of the hand pump of FIG. 1; and,
FIG. 6 is an end view of the hand pump of FIG. 1.

1 Claim, 3 Drawing Sheets

[56] References Cited

U.S. PATENT DOCUMENTS

616,195	12/1898	Louden et al.	417/467
1,205,649	11/1916	Miller .	
1,491,388	4/1924	Foster	417/467
2,910,061	10/1959	Rabjohn .	
3,847,146	11/1974	Cushman .	
3,888,243	6/1975	Powlan .	
3,937,216	2/1976	Brown .	
4,146,021	3/1979	Brosseau et al. .	
4,242,946	1/1981	Toliusis .	



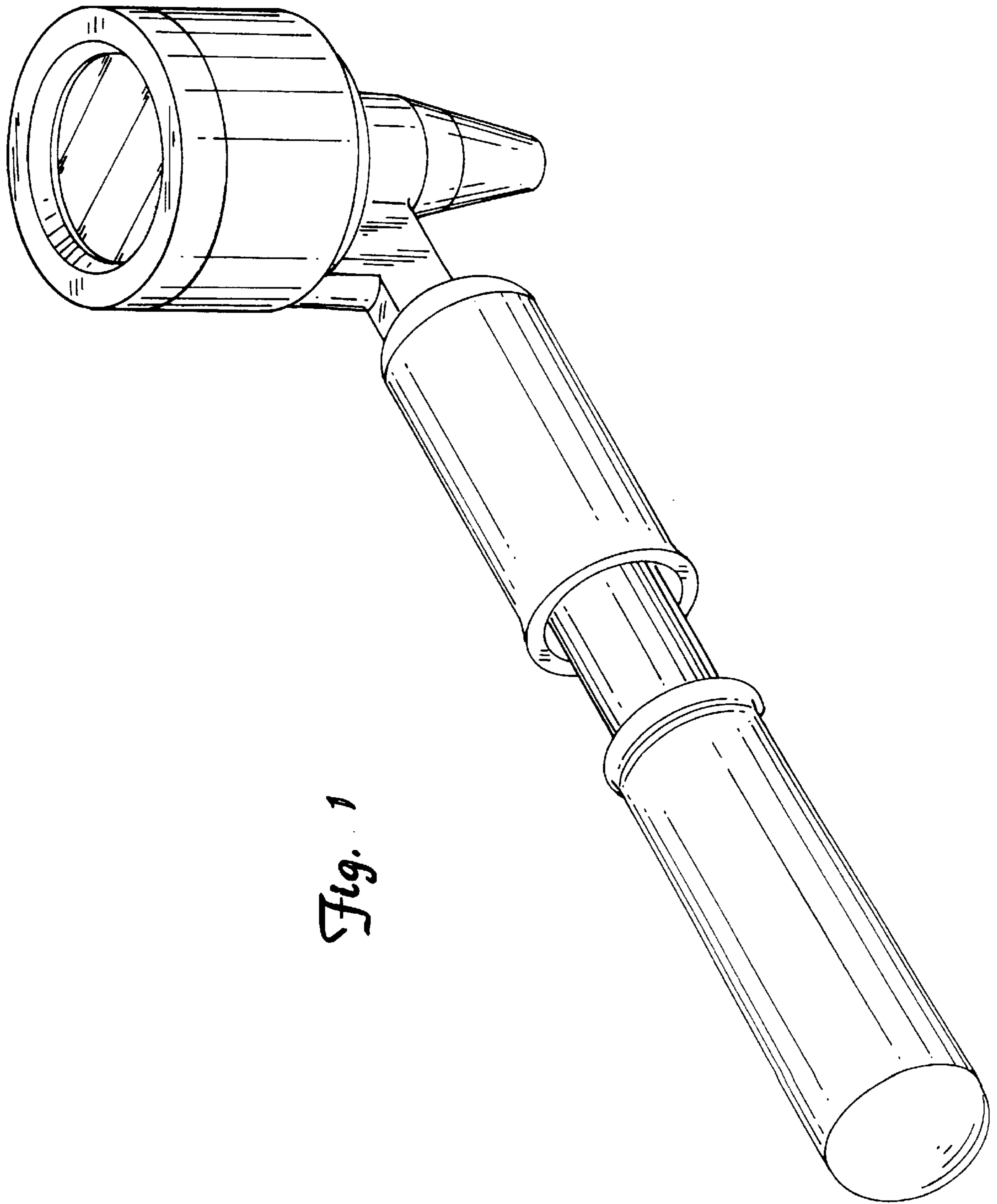


Fig. 1

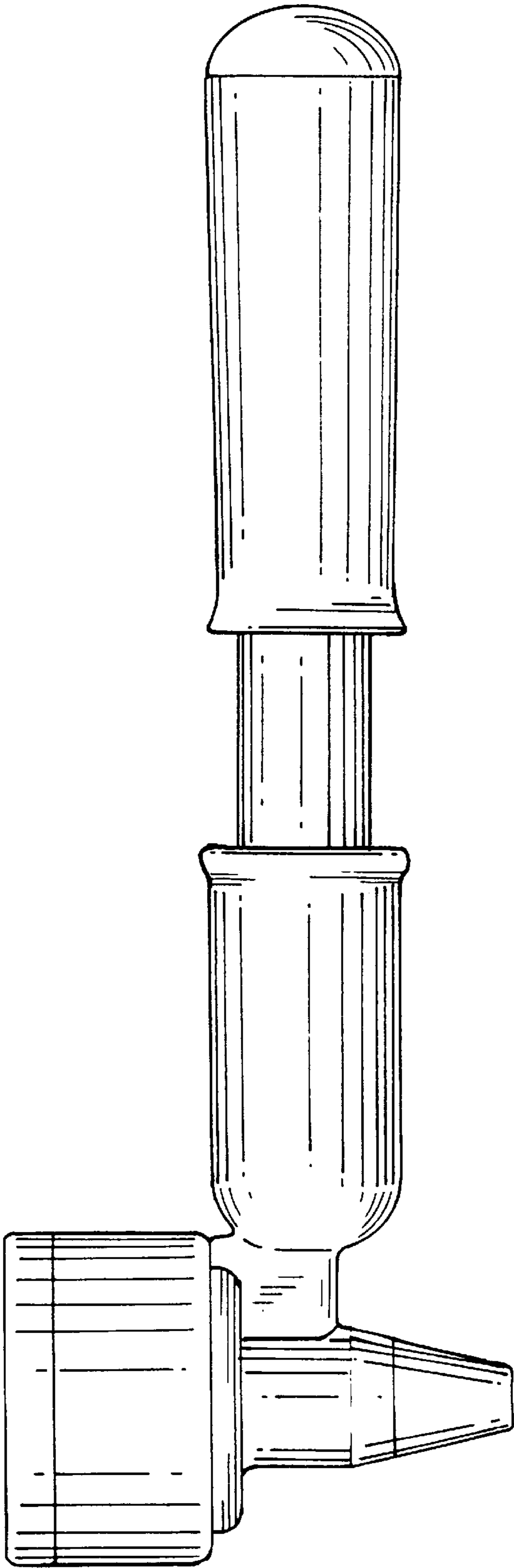


Fig. 2

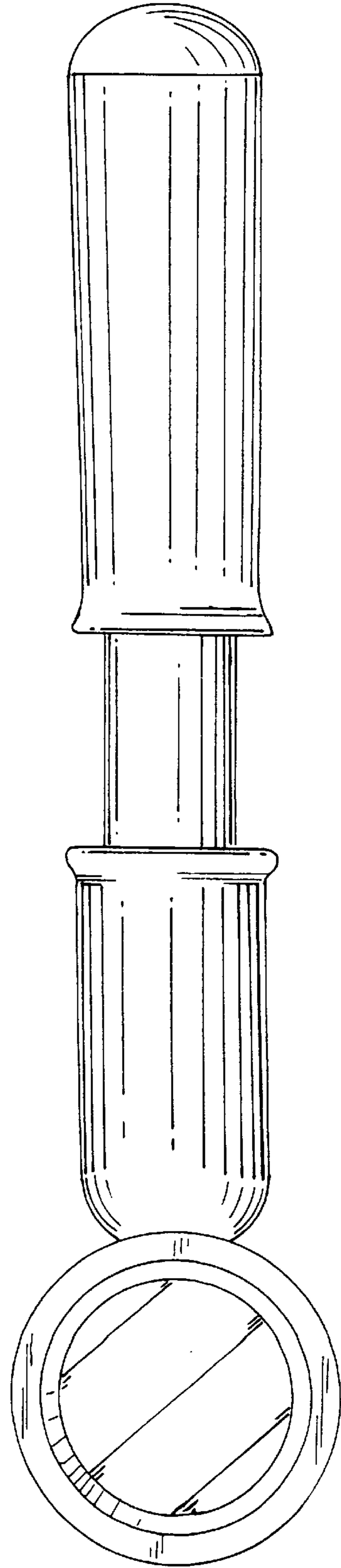


Fig. 3

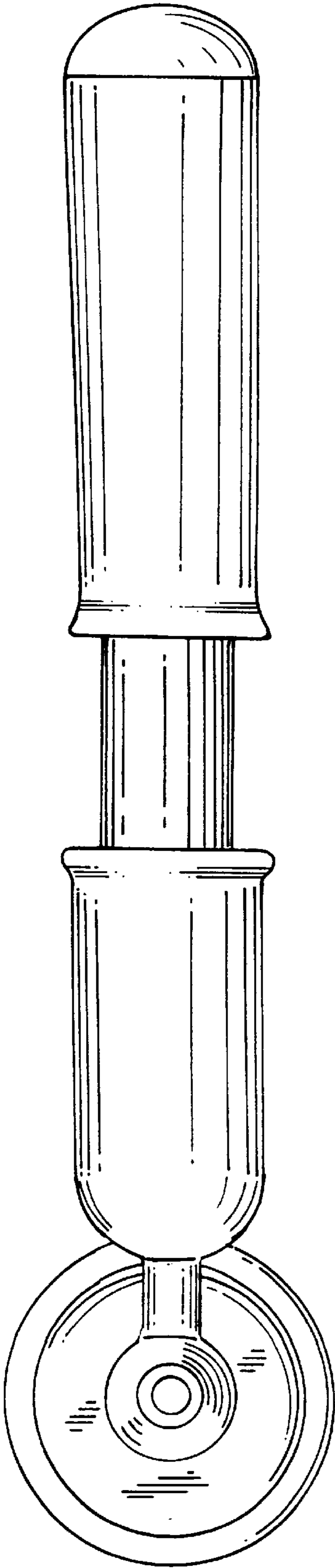


Fig. 4

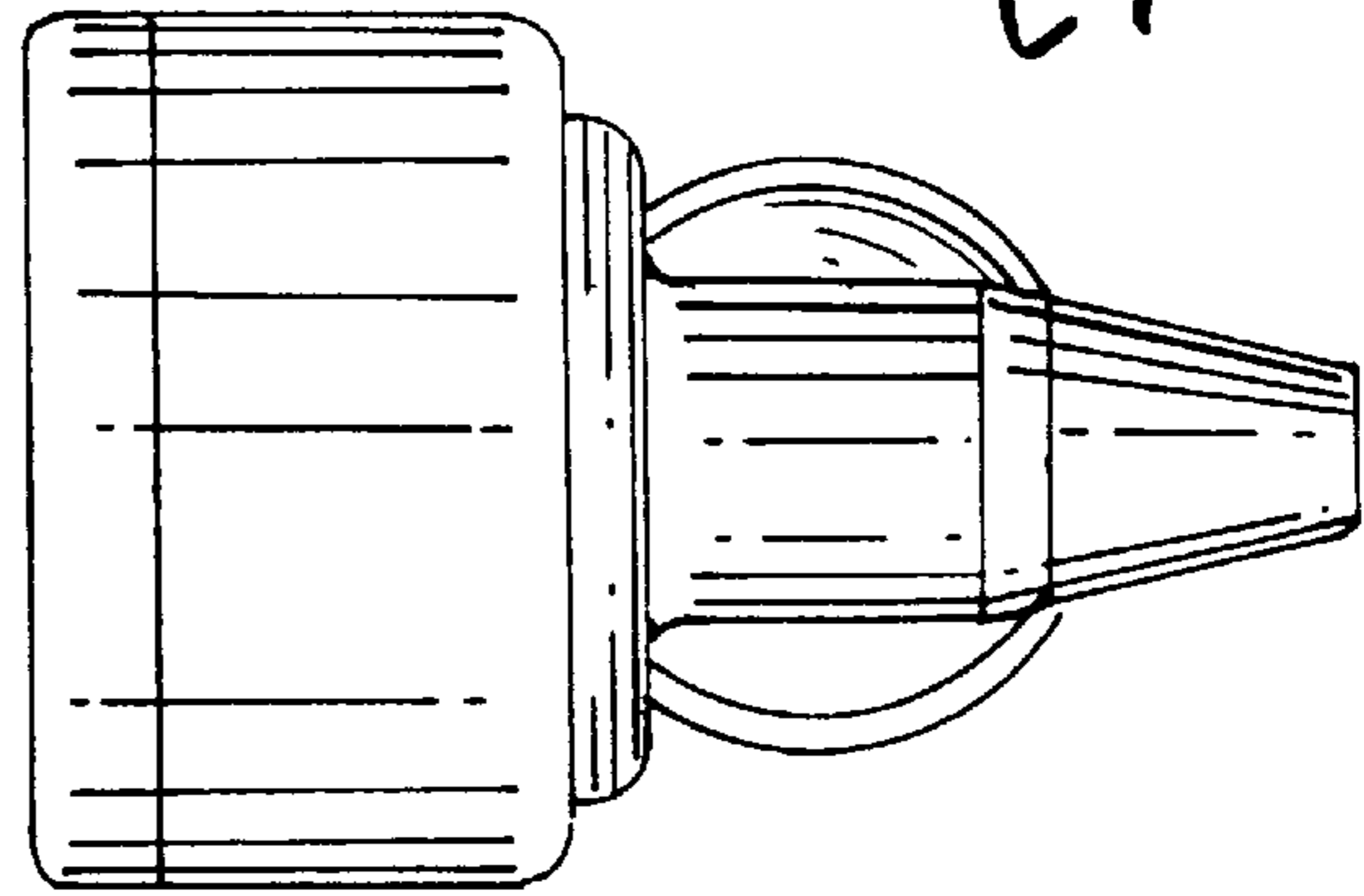


Fig. 5

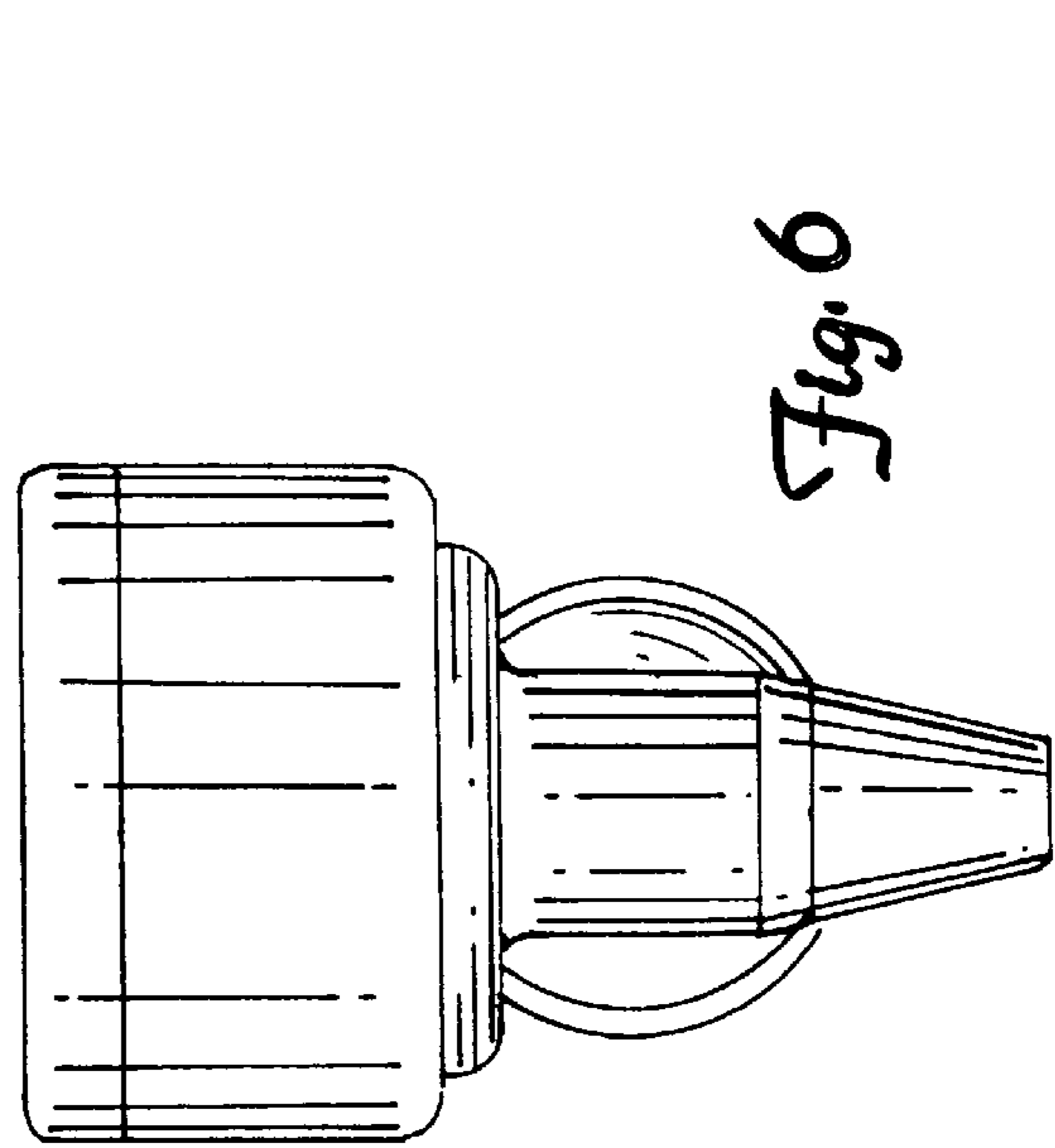


Fig. 6