



US00D415248S

United States Patent [19]
Roman

[11] **Patent Number: Des. 415,248**

[45] **Date of Patent: ** Oct. 12, 1999**

[54] **SPRINKLING DEVICE**

D. 383,830 9/1997 Guo D23/214
5,683,035 11/1997 Wang 239/394

[75] Inventor: **Gianfranco Roman**, Pasiano, Italy

[73] Assignee: **Claber S.p.A.**, Fiume Veneto, Italy

[**] Term: **14 Years**

[21] Appl. No.: **29/091,650**

[22] Filed: **Aug. 3, 1998**

[30] **Foreign Application Priority Data**

Jun. 5, 1998 [IT] Italy MI9800382

[51] **LOC (6) Cl.** **23-01**

[52] **U.S. Cl.** **D23/214**

[58] **Field of Search** D23/213, 214-216,
D23/221; 239/394, 273, 279, 240-242

[56] **References Cited**

U.S. PATENT DOCUMENTS

D. 277,127 1/1985 Macky et al. D23/214

D. 372,761 8/1996 Chih D23/214

D. 374,914 10/1996 Wang D23/214

OTHER PUBLICATIONS

Flying High brochure; Plastic multi-patterns sprinklers, Aug. 1995.

Primary Examiner—Robin V. Taylor

Attorney, Agent, or Firm—Jacobson, Price, Holman & Stern, PLLC

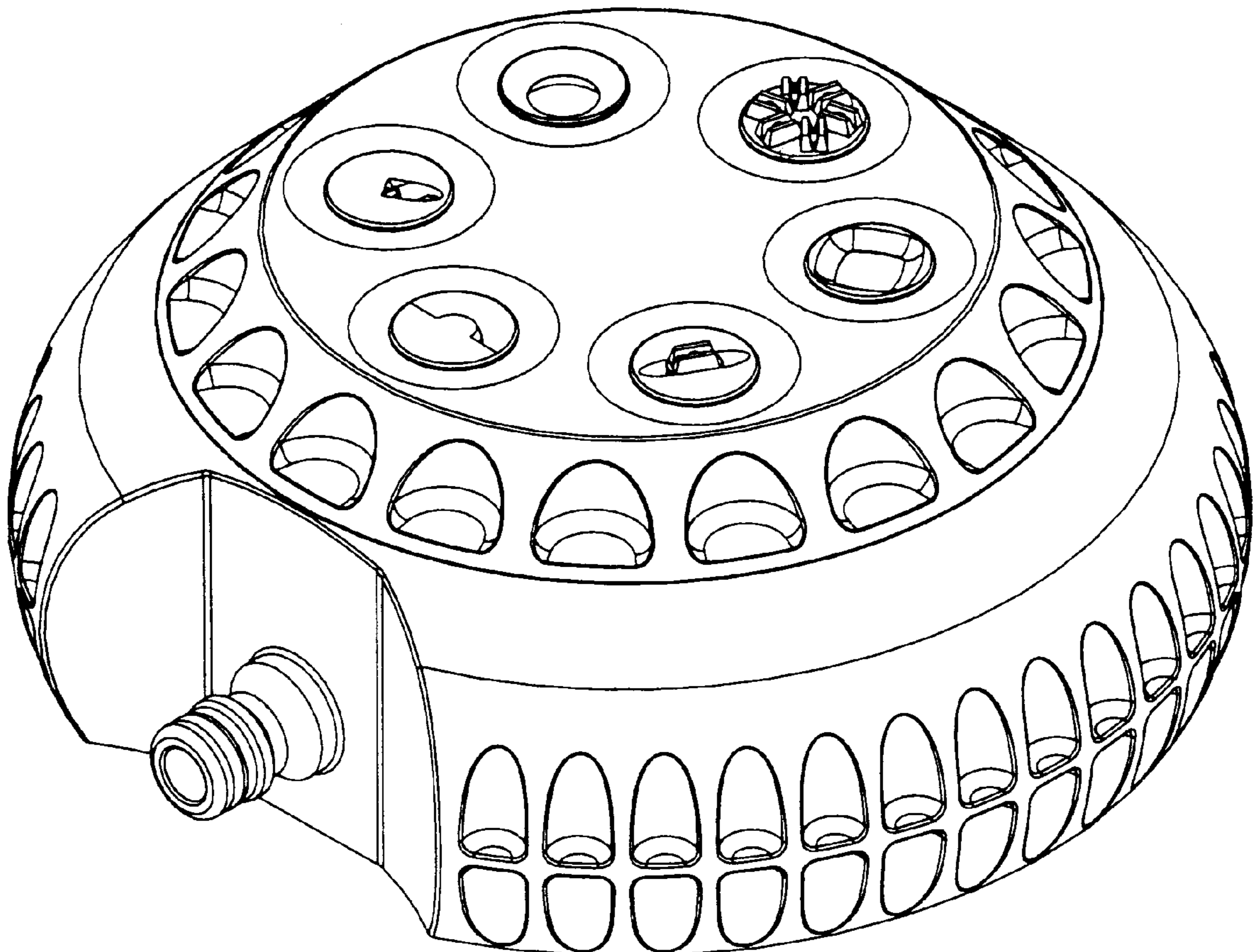
[57] **CLAIM**

The ornamental design for a sprinkling device, as shown and described.

DESCRIPTION

FIG. 1 is a perspective view of my new sprinkling device; FIG. 2 is a top plan view of my new sprinkling device; FIG. 3 is a right-hand view of my sprinkling device; FIG. 4 is a left-hand view of my sprinkling device; FIG. 5 is a front view of my sprinkling device; FIG. 6 is a rear view of my sprinkling device; and, FIG. 7 is a bottom plan view of my sprinkling device.

1 Claim, 3 Drawing Sheets



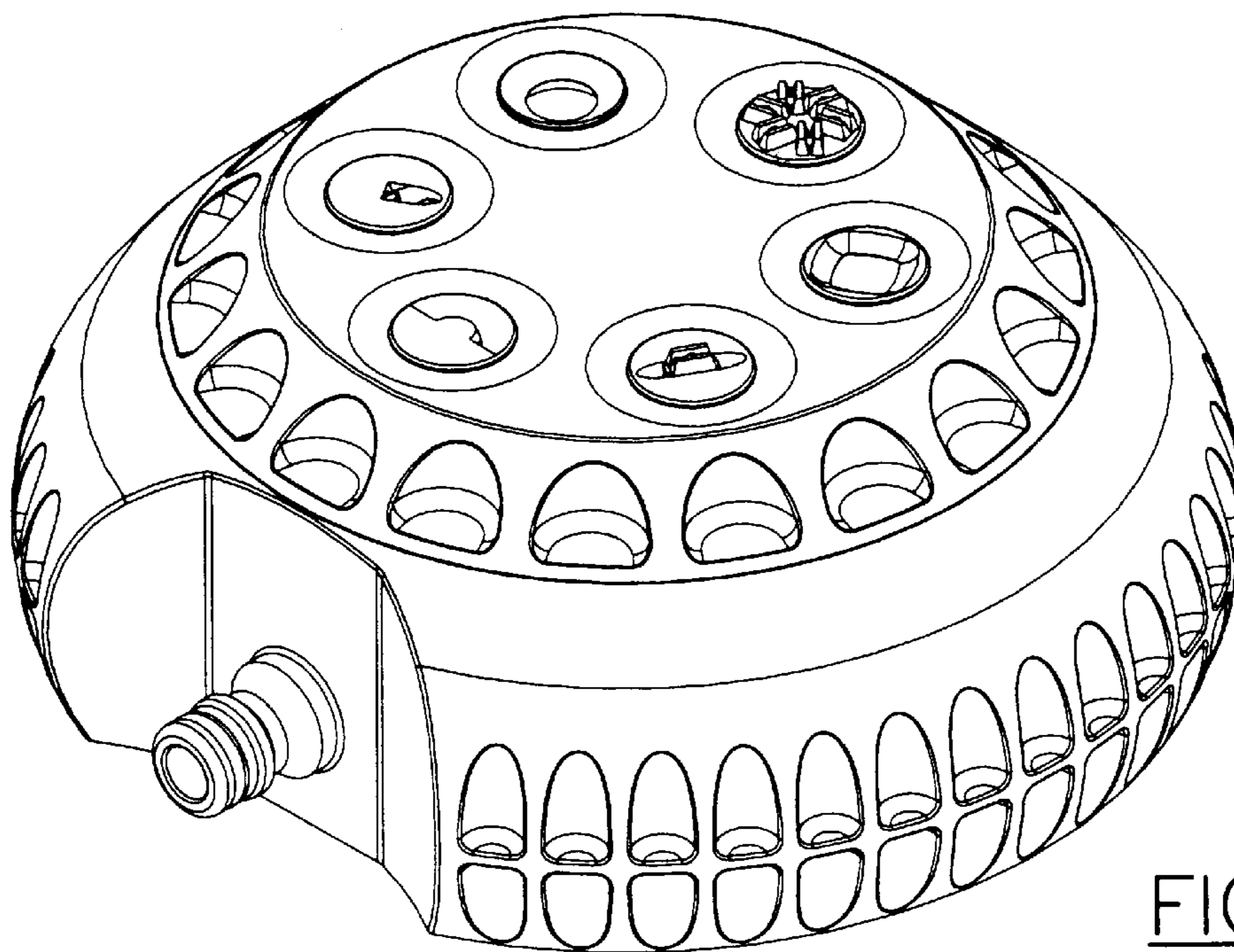


FIG. 1

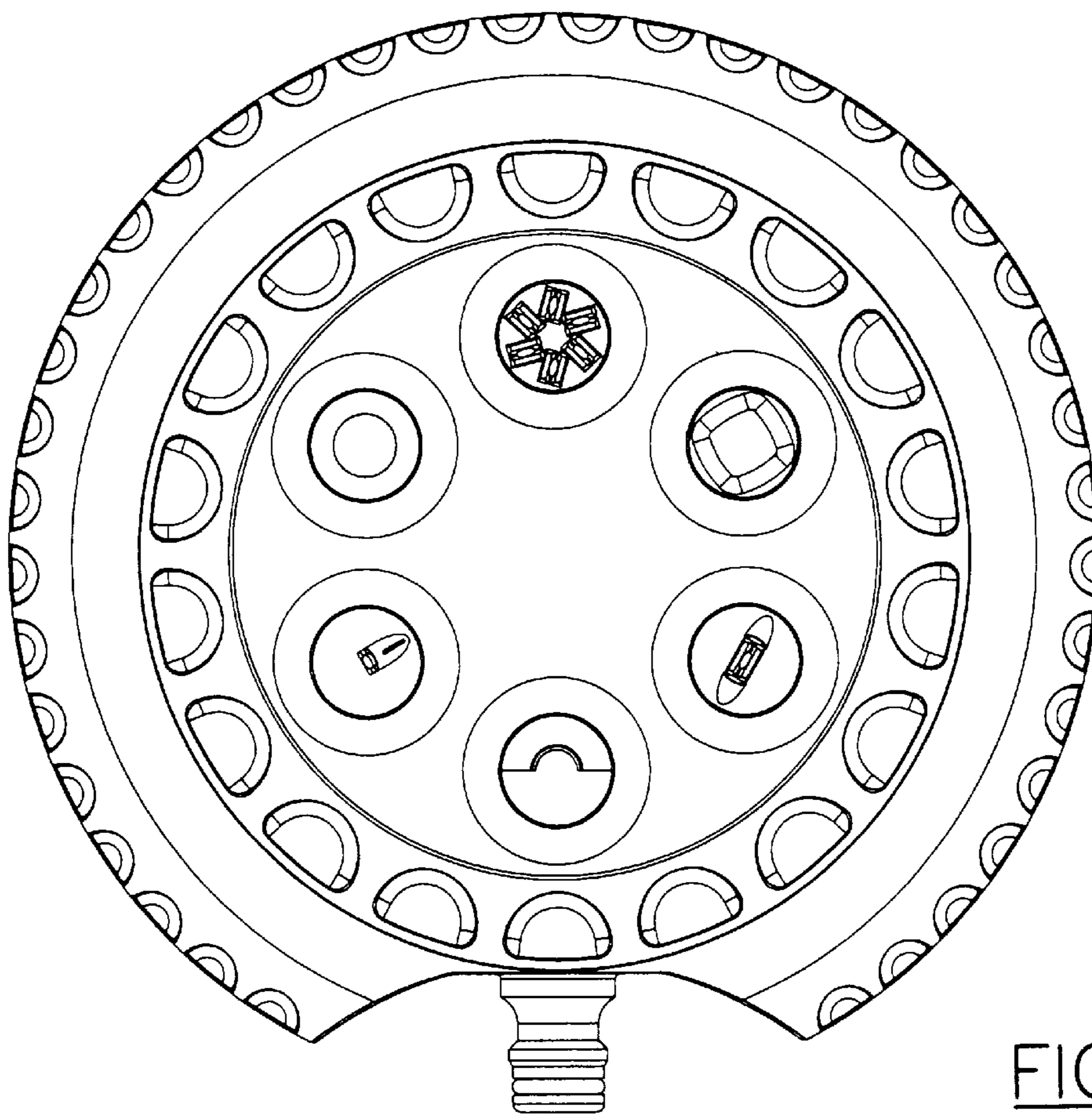


FIG. 2

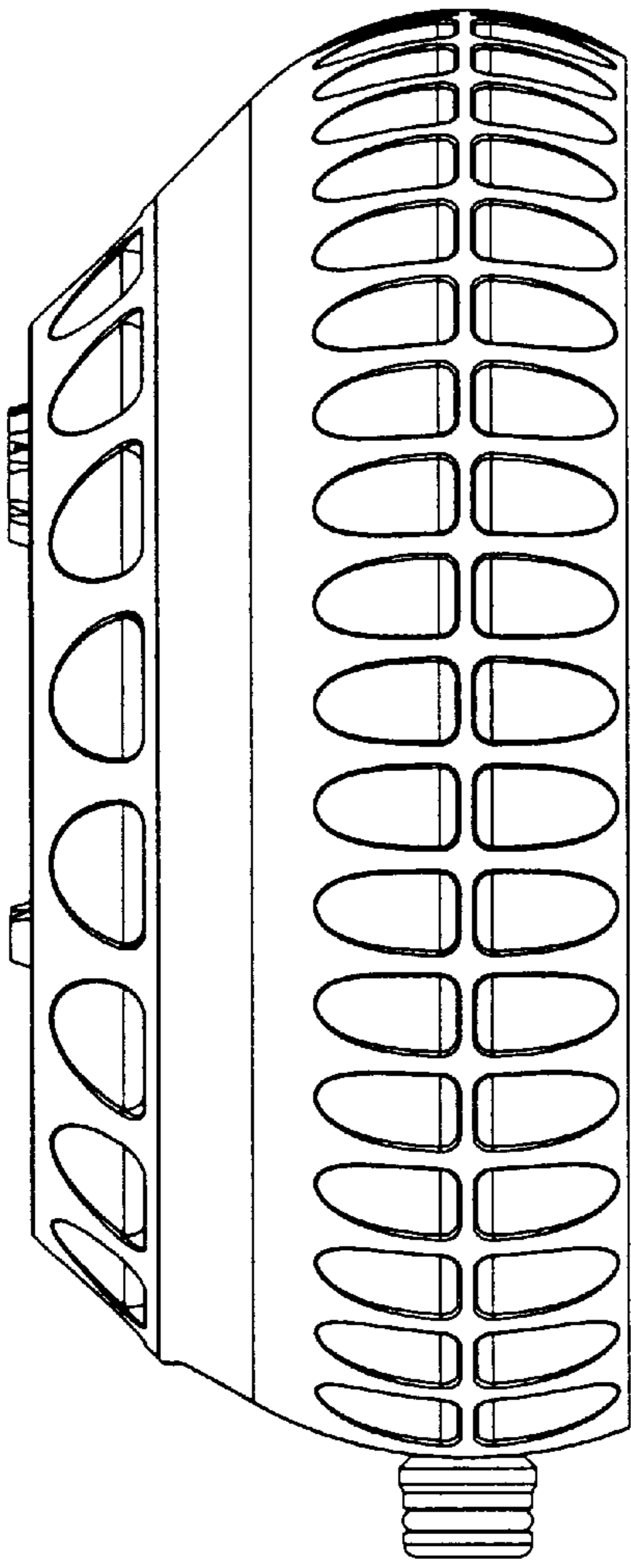


FIG. 3

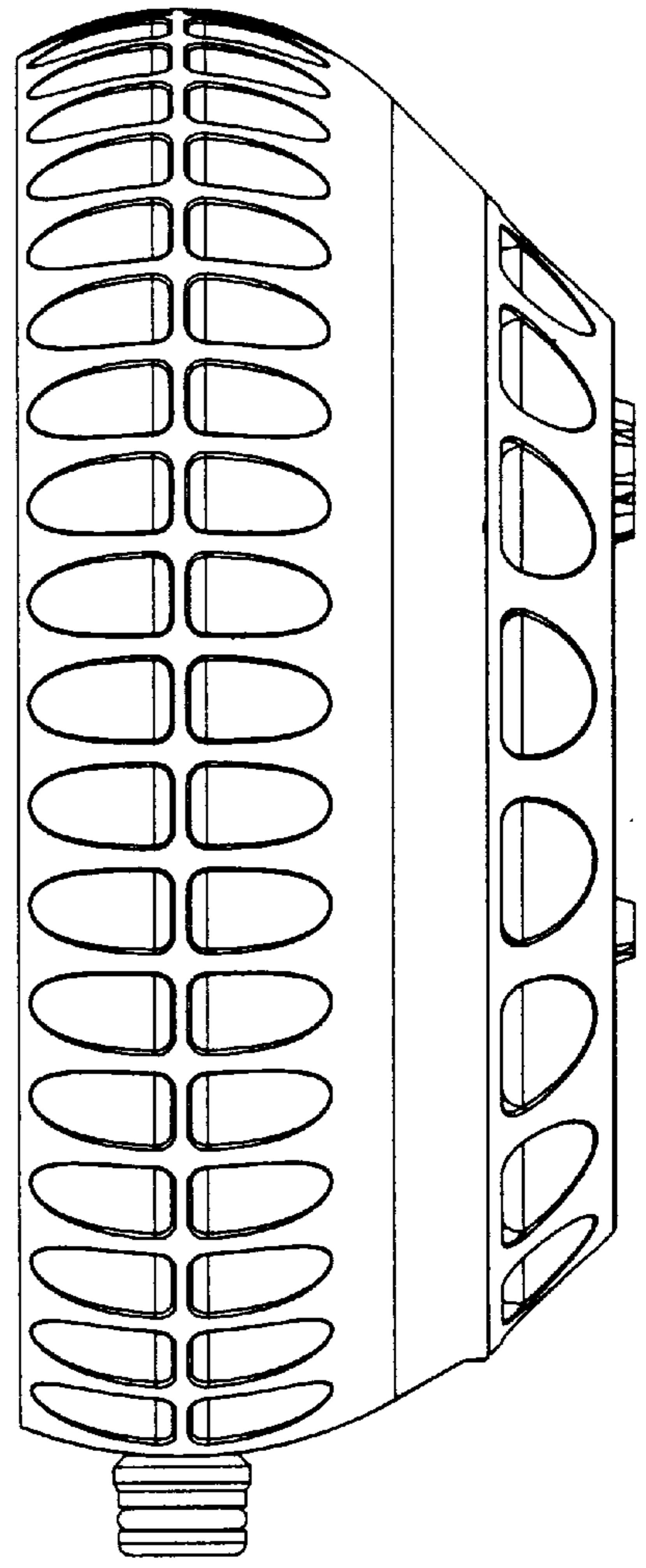


FIG. 4

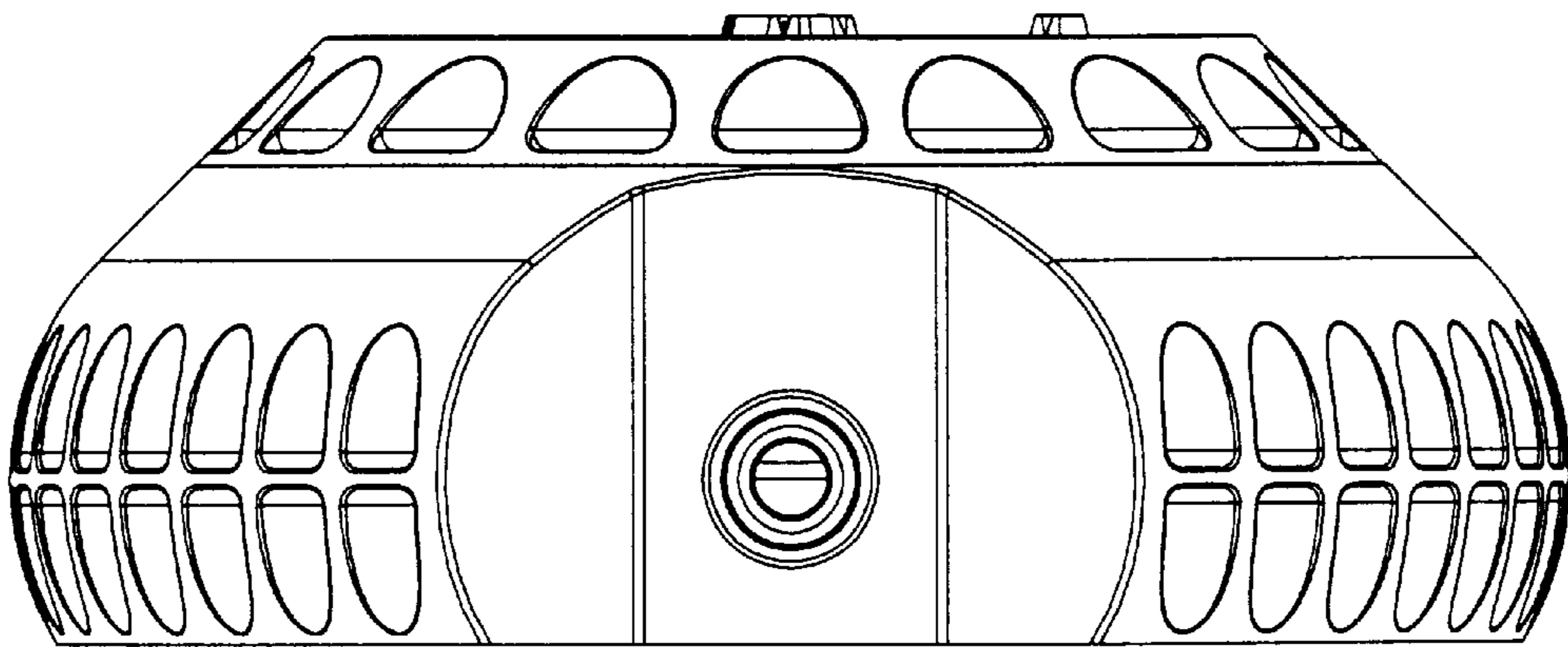


FIG. 5

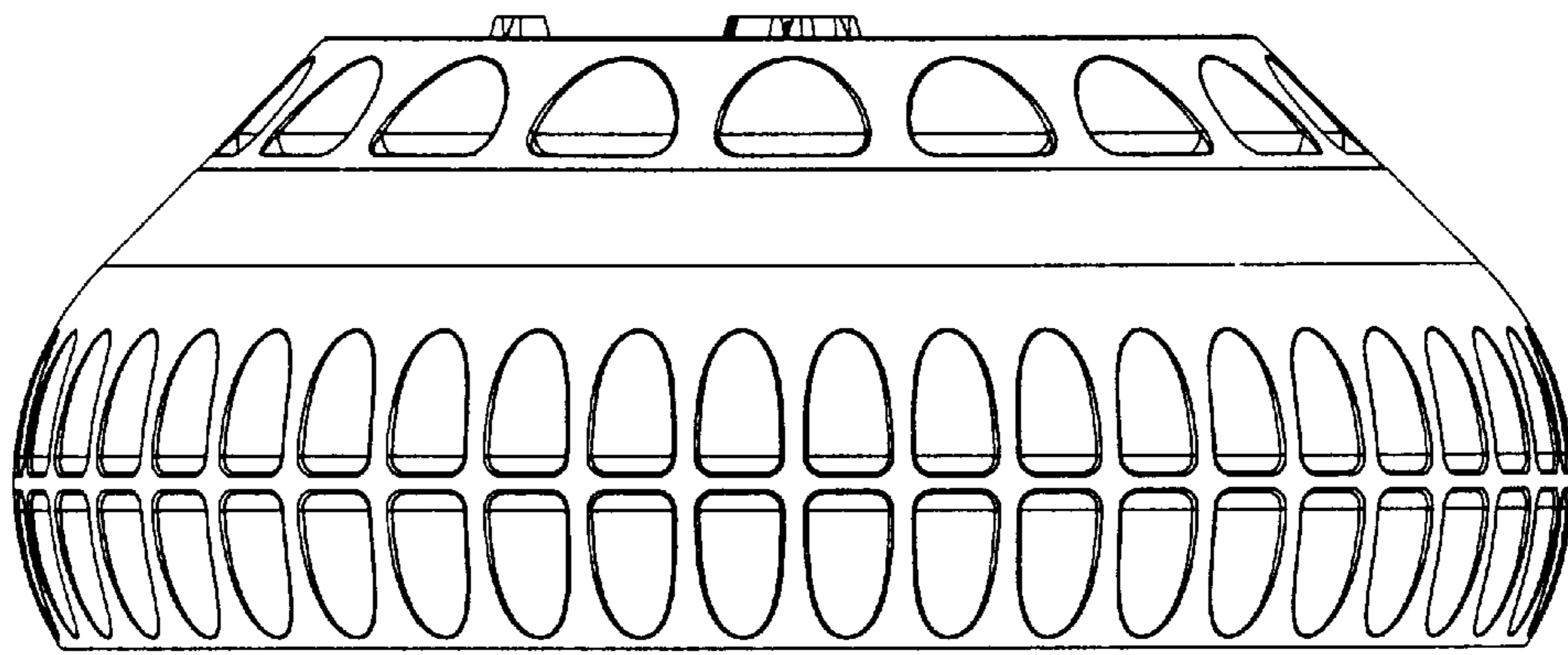


FIG. 6

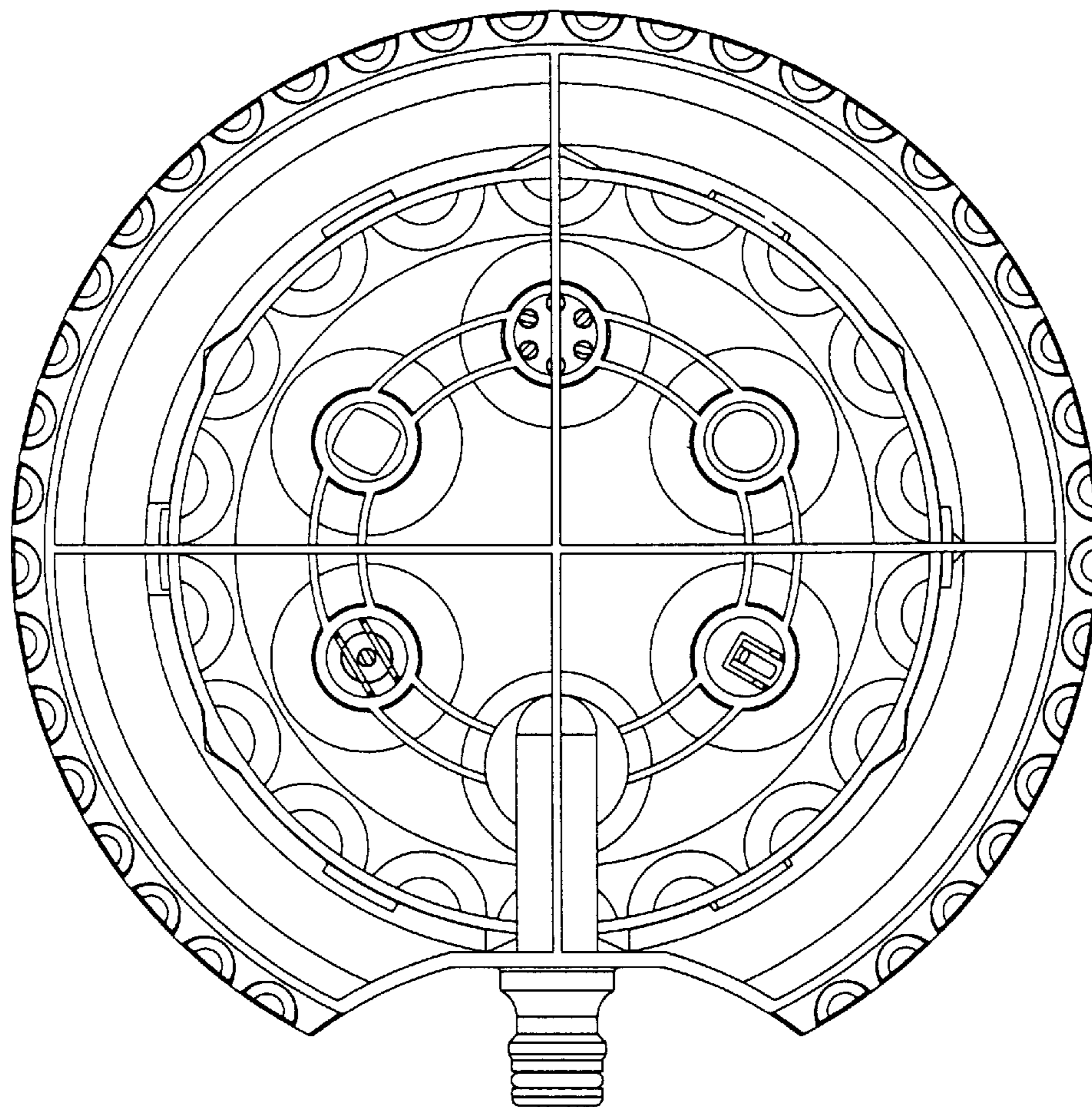


FIG. 7