



US00D415246S

United States Patent [19] Marshall

[11] Patent Number: Des. 415,246

[45] Date of Patent: ** *Oct. 12, 1999

[54] **SHOWERHEAD**

[75] Inventor: **Christopher Marshall**, Cumming, Ga.

[73] Assignee: **Masco Corporation of Indiana**, Indianapolis, Ind.

[*] Notice: This patent is subject to a terminal disclaimer.

[**] Term: **14 Years**

[21] Appl. No.: **29/086,260**

[22] Filed: **Apr. 9, 1998**

[51] **LOC (6) Cl.** **23-01**

[52] **U.S. Cl.** **D23/213; D23/229**

[58] **Field of Search** D23/213, 214, D23/223, 226, 229, 230; 239/459-462, 587.1

D. 339,406	9/1993	Rodriguez	D23/213
D. 339,627	9/1993	Klose	.	
D. 355,951	2/1995	Ran	.	
D. 363,114	10/1995	Andrus	.	
D. 364,915	12/1995	Huang	D23/213
D. 366,307	1/1996	Doughty et al.	D23/213
D. 367,696	3/1996	Andrus	.	
D. 368,761	4/1996	Andrus	.	
D. 369,203	4/1996	Andrus	.	
D. 369,204	4/1996	Andrus	.	
D. 369,205	4/1996	Andrus	.	
D. 377,965	2/1997	Andrus	.	
D. 393,047	3/1998	Andrus et al.	.	
3,180,579	4/1965	Tomaso	.	
3,468,483	9/1969	Parkison	.	
4,203,550	5/1980	On	.	
4,303,201	12/1981	Elkins et al.	.	
4,588,130	5/1986	Trenary et al.	.	
4,629,125	12/1986	Liu	.	
5,297,735	3/1994	Heimann et al.	.	

OTHER PUBLICATIONS

Advertisement "Great Vibrations", Hardware Age, Mar. 1997.

Primary Examiner—Robin V. Taylor
Attorney, Agent, or Firm—Myron B. Kapustij; Leon E. Redman

[56] References Cited

U.S. PATENT DOCUMENTS

D. 113,439	2/1939	Reinecke	.	
D. 118,419	1/1940	Rockwood	.	
D. 208,526	9/1967	Delamater	.	
D. 245,859	9/1977	Grube	.	
D. 261,300	10/1981	Klose	.	
D. 261,417	10/1981	Klose	.	
D. 267,582	1/1983	Mackay et al.	.	
D. 268,359	3/1983	Klose	.	
D. 269,540	6/1983	Larsson	.	
D. 282,199	1/1986	Shames et al.	D23/229
D. 295,437	4/1988	Fabian	.	
D. 299,050	12/1988	Gonzalez	D23/229
D. 313,456	1/1991	Presman	.	
D. 313,833	1/1991	Presman	.	
D. 314,608	2/1991	Presman	.	
D. 315,191	3/1991	Mikol	.	
D. 320,064	9/1991	Presman	.	
D. 325,770	4/1992	Haug et al.	D23/229
D. 327,115	6/1992	Rogers	.	
D. 327,729	7/1992	Rogers	.	
D. 332,303	1/1993	Klose	.	
D. 333,338	2/1993	Klose	.	
D. 334,046	3/1993	Klose	.	
D. 334,048	3/1993	Ben-Zur	.	
D. 337,810	7/1993	Bengtson et al.	.	

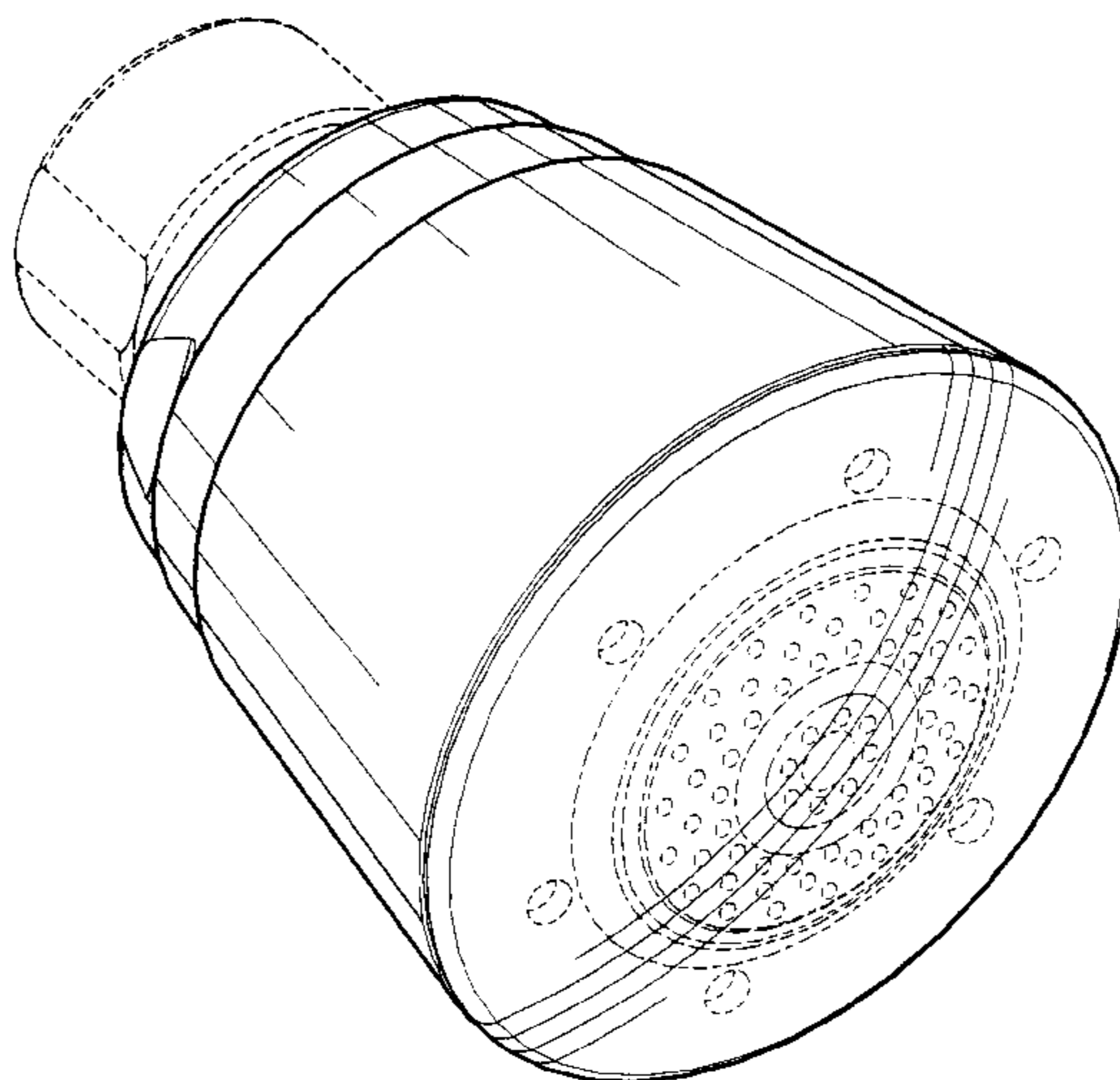
[57] CLAIM

The ornamental design for a showerhead, as shown and described.

DESCRIPTION

FIG. 1 is a front perspective view of a showerhead showing my new design;
FIG. 2 is a rear perspective view thereof;
FIG. 3 is a front elevational view thereof;
FIG. 4 is a side elevational view thereof, the opposite side being a mirror image; and;
FIG. 5 is a rear elevational view thereof.
The broken line representation of the swivel attachment socket at the rear of the showerhead in FIGS. 1, 2, 4 and 5, and of the radially inner portion of the faceplate in FIGS. 1, 3 and 4 are for purposes of illustration only and form no part of the claimed design.

1 Claim, 2 Drawing Sheets



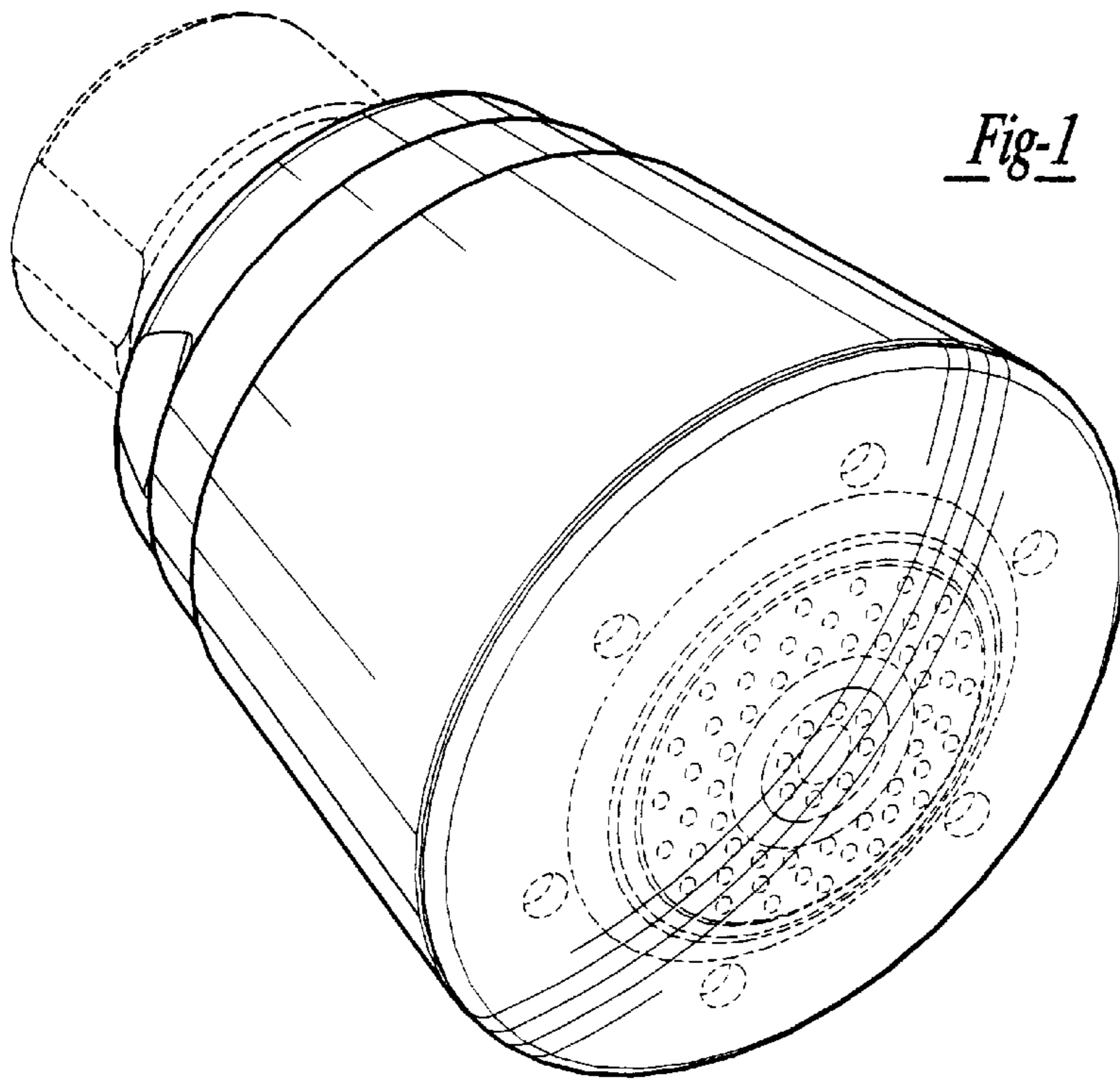


Fig-1

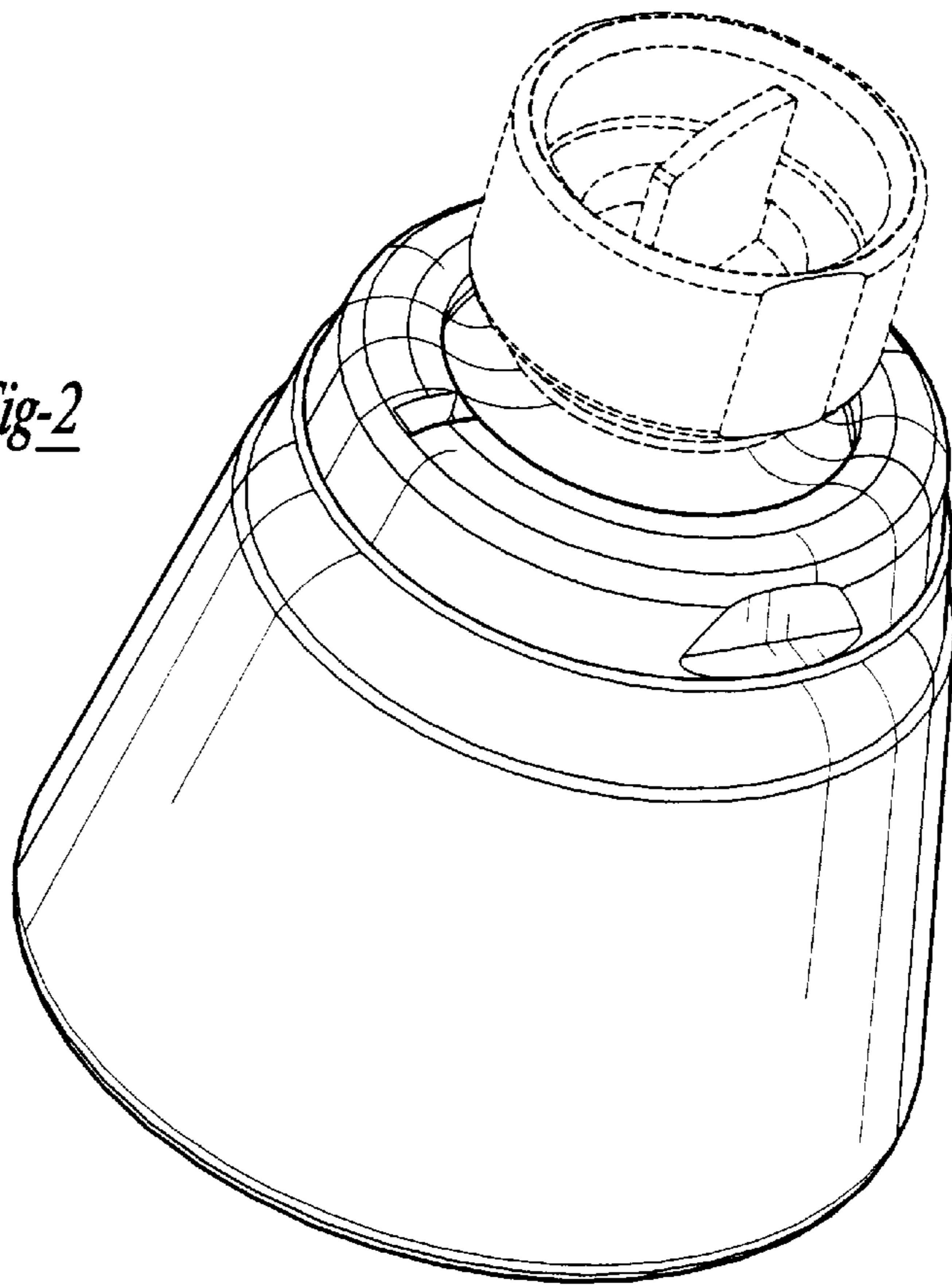


Fig-2

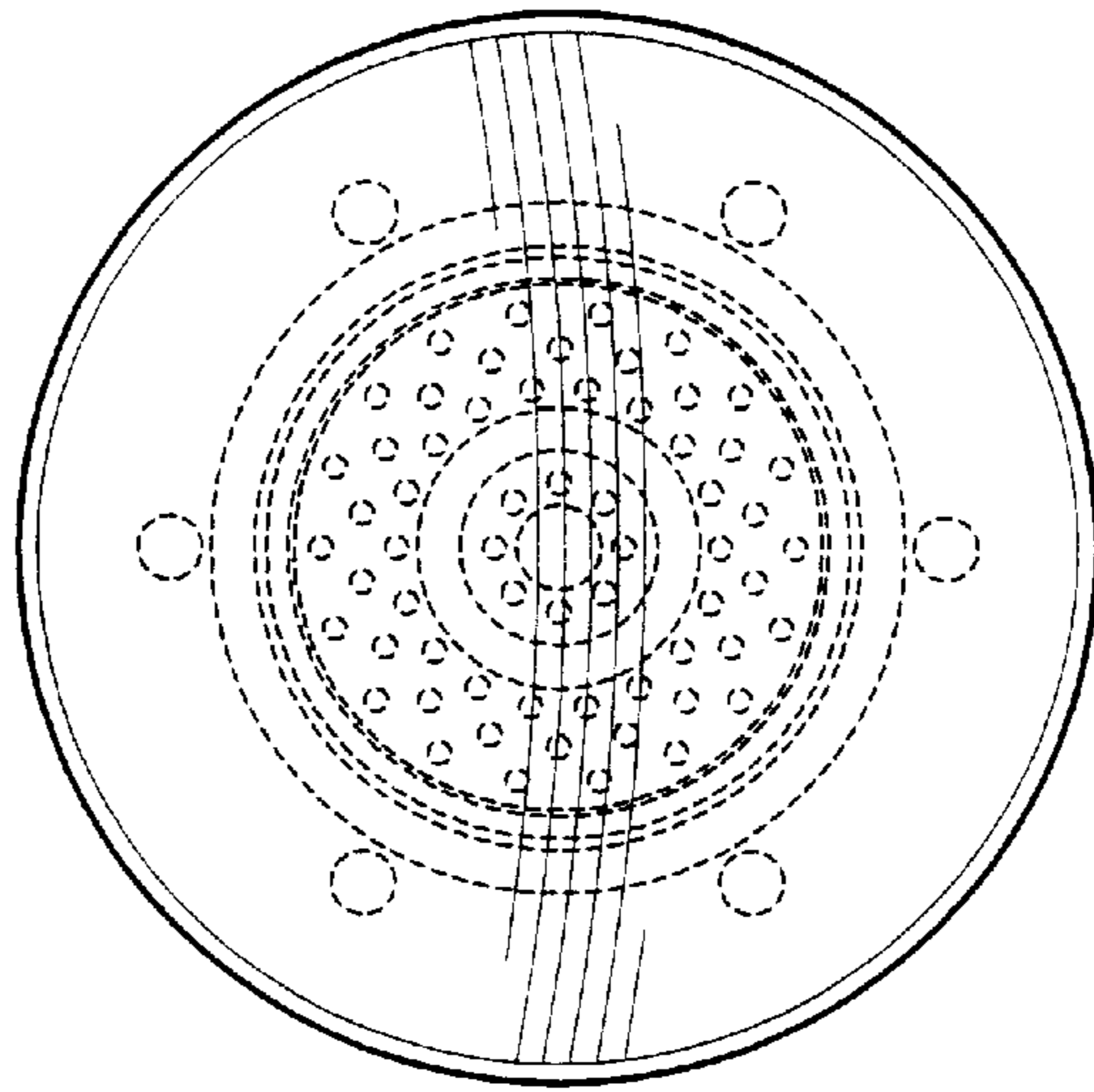


Fig-3

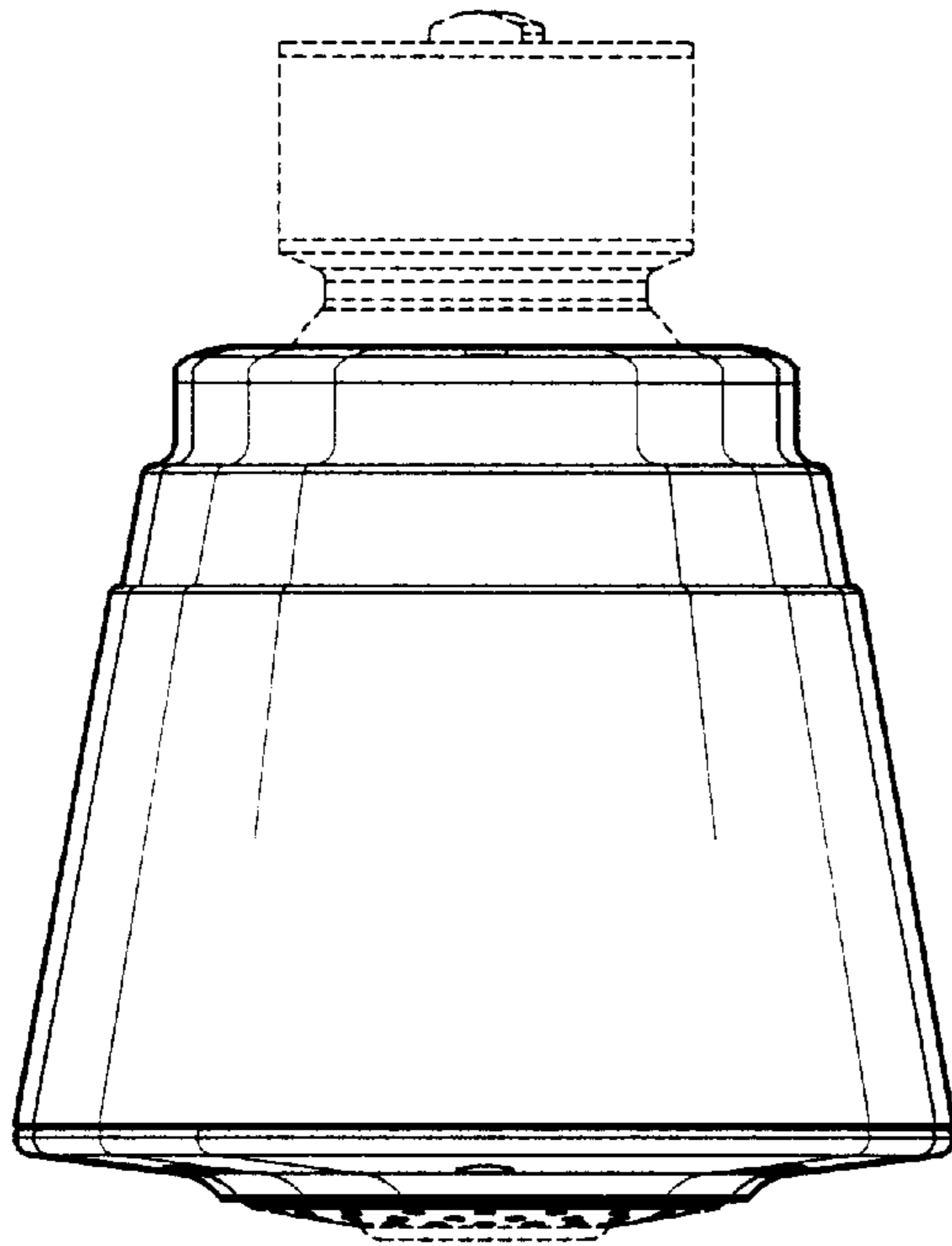


Fig-4

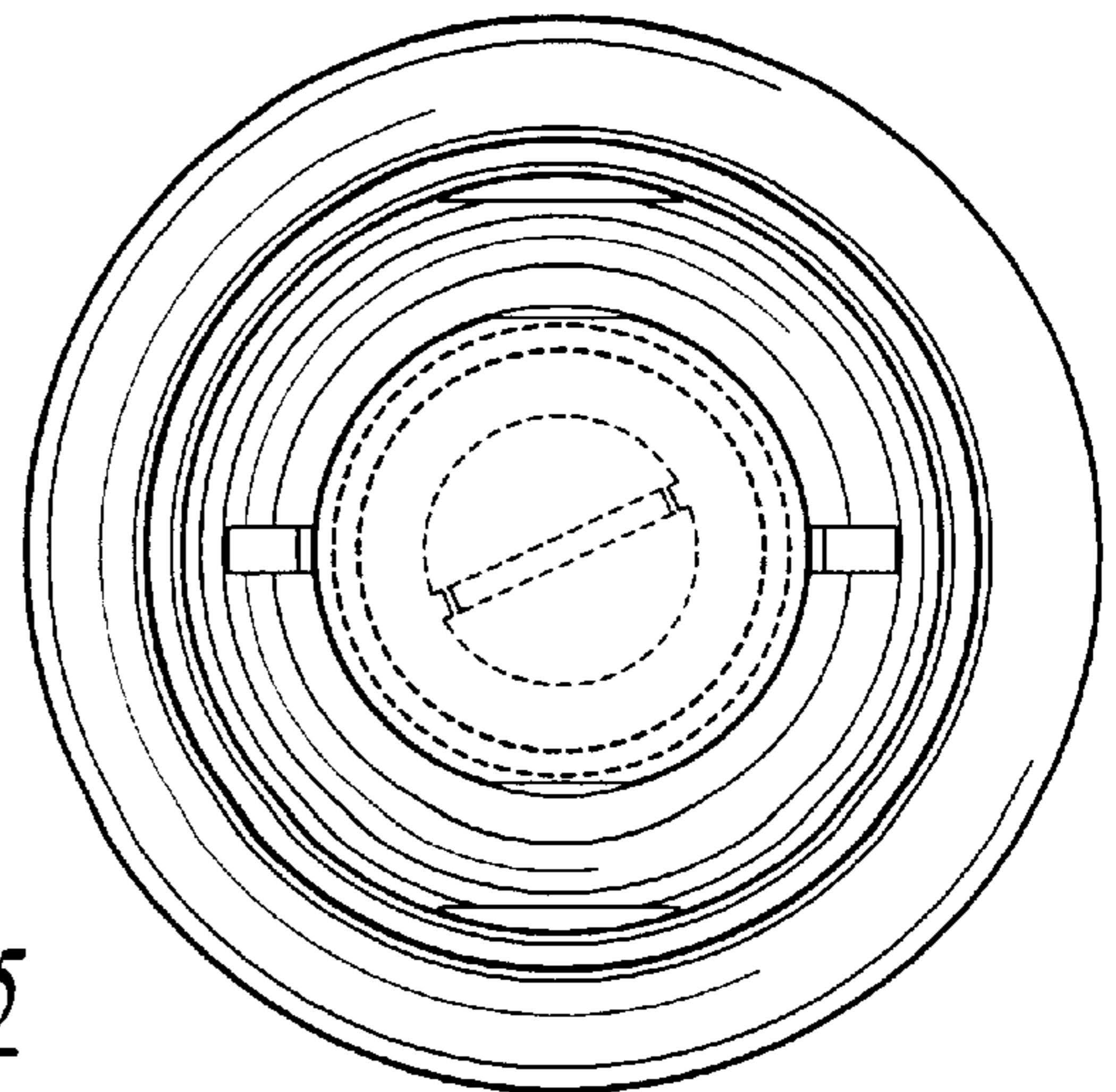


Fig-5