



US00D415241S

United States Patent [19]

Staehe et al.

[11] Patent Number: **Des. 415,241**

[45] Date of Patent: **** Oct. 12, 1999**

[54] **COMBINED CRANK HANDLE AND DRAG CONTROL**

[75] Inventors: **Dale O. Staehe**, Racine; **Christopher F. Kreuser**, Kenosha, both of Wis.

[73] Assignee: **Johnson Worldwide Associates**, Sturtevant, Wis.

[**] Term: **14 Years**

[21] Appl. No.: **29/086,768**

[22] Filed: **Apr. 20, 1998**

[51] **LOC (6) Cl.** **22-05**

[52] **U.S. Cl.** **D22/140**

[58] **Field of Search** D22/134, 137, D22/138, 140, 141, 142; 43/4, 18.1, 19, 19.2, 20, 22, 25

[56] **References Cited**

U.S. PATENT DOCUMENTS

D. 315,011	2/1991	Kameda et al.	D22/140
D. 347,046	5/1994	Sakurai	D22/140
D. 347,460	5/1994	Ohi	D22/140
D. 369,641	5/1996	Asano et al.	D22/140
D. 369,642	5/1996	Iwabuchi	D22/140
D. 392,336	3/1998	Asano et al.	D22/140
D. 400,639	11/1998	Ito et al.	D22/140

OTHER PUBLICATIONS

Excerpts from *JWA Fishing 1996*, pp. 15-16, 19, 26-29, 50-54.

Primary Examiner—Louis S. Zarfes
Assistant Examiner—Inga-Maria Mytinen
Attorney, Agent, or Firm—Foley & Lardner

[57] **CLAIM**

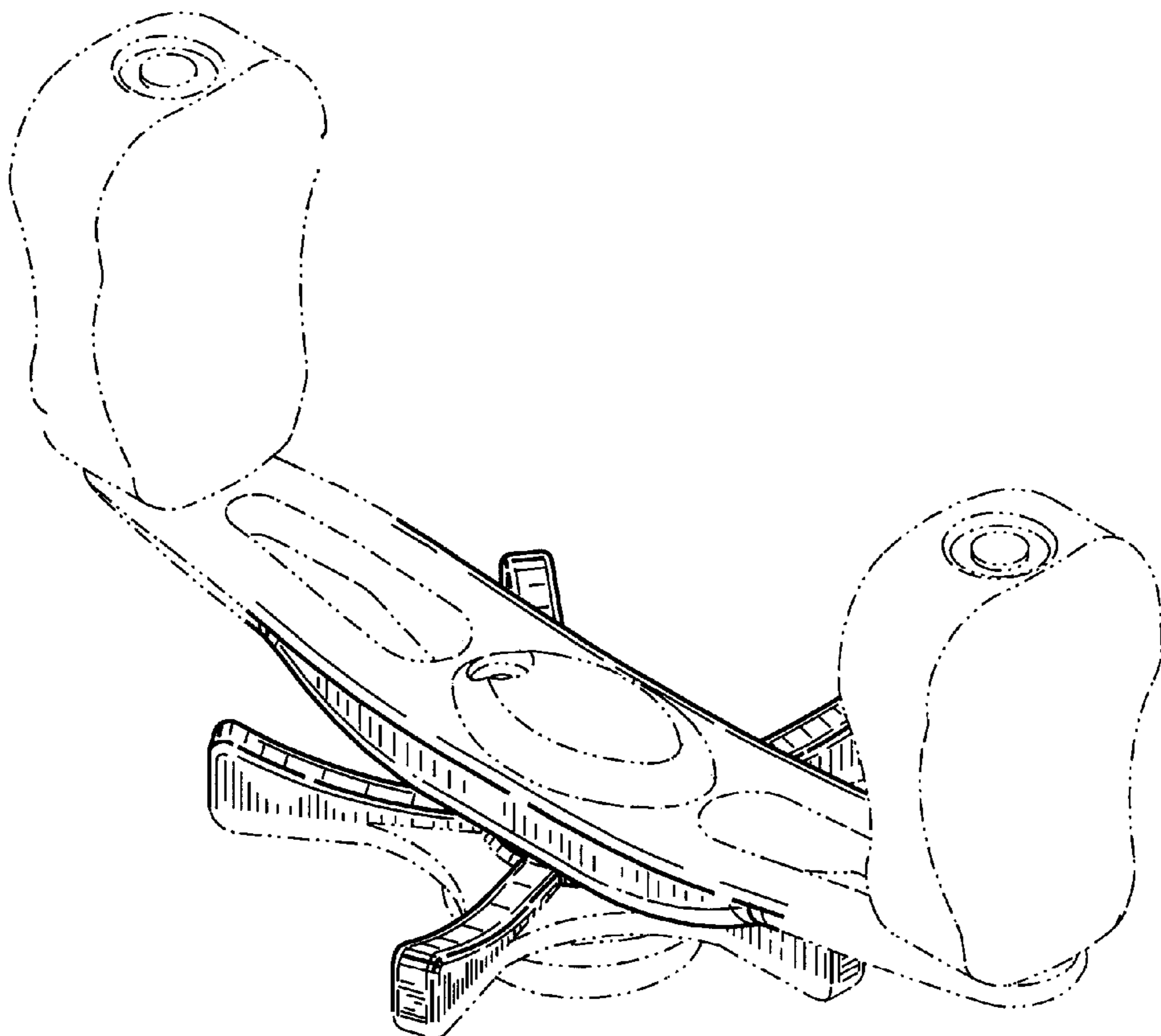
The ornamental design for a combined crank handle and drag control, as shown and described.

DESCRIPTION

FIG. 1 is a top perspective view of a combined crank handle and drag control showing our new design; FIG. 2 is a bottom perspective view thereof; FIG. 3 is a front elevational view thereof; FIG. 4 is a right side elevational view thereof; FIG. 5 is a rear elevational view thereof; FIG. 6 is a left side elevational view thereof; FIG. 7 is a top plan view thereof; and, FIG. 8 is a bottom plan view thereof.

The broken lines which define the boundaries of the claimed design in FIGS. 2 and 8 of the drawing form no part thereof, and the broken line showing of environmental structure in all views of the drawing is for illustrative purposes only and forms no part of the claimed design.

1 Claim, 3 Drawing Sheets



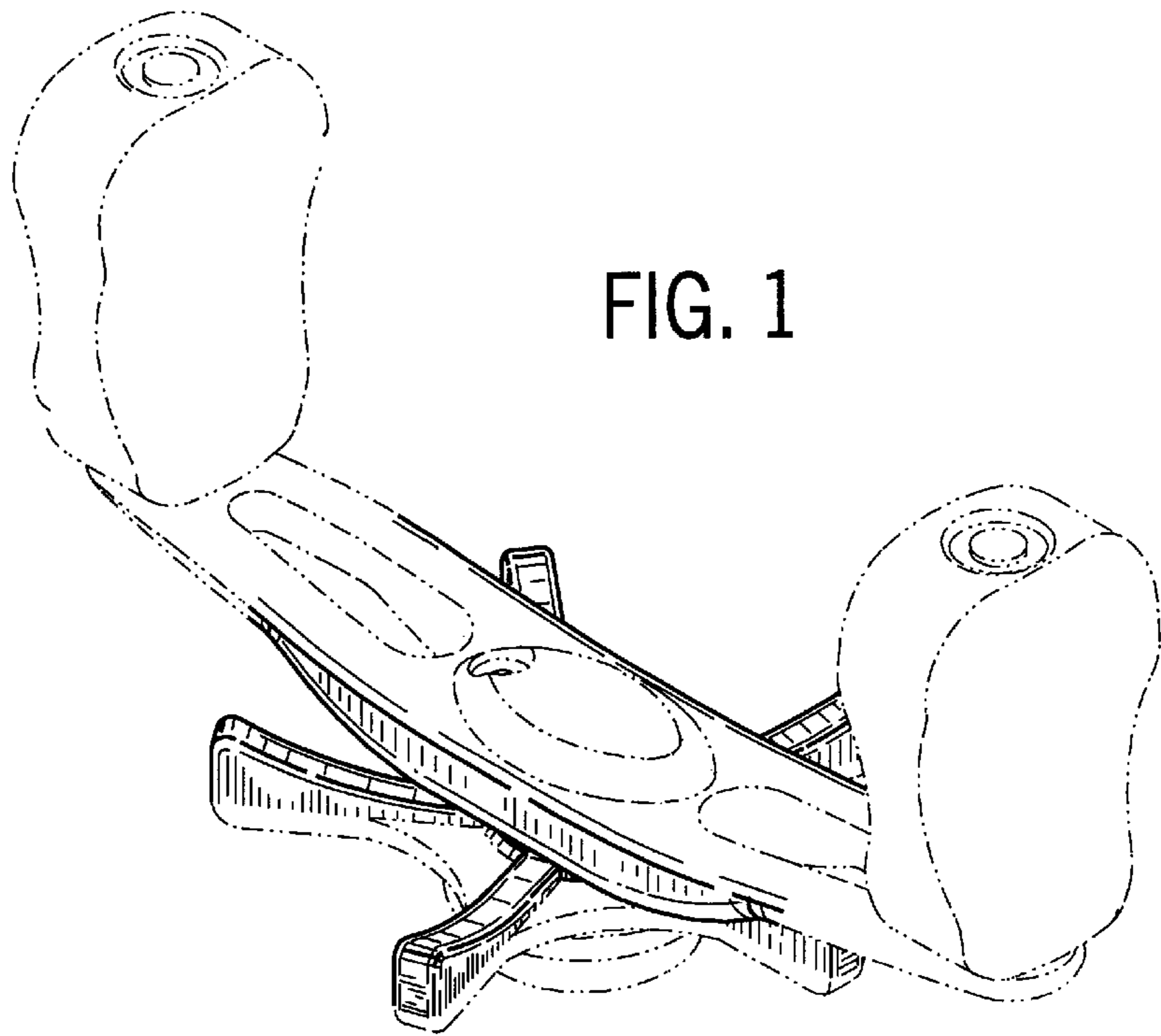
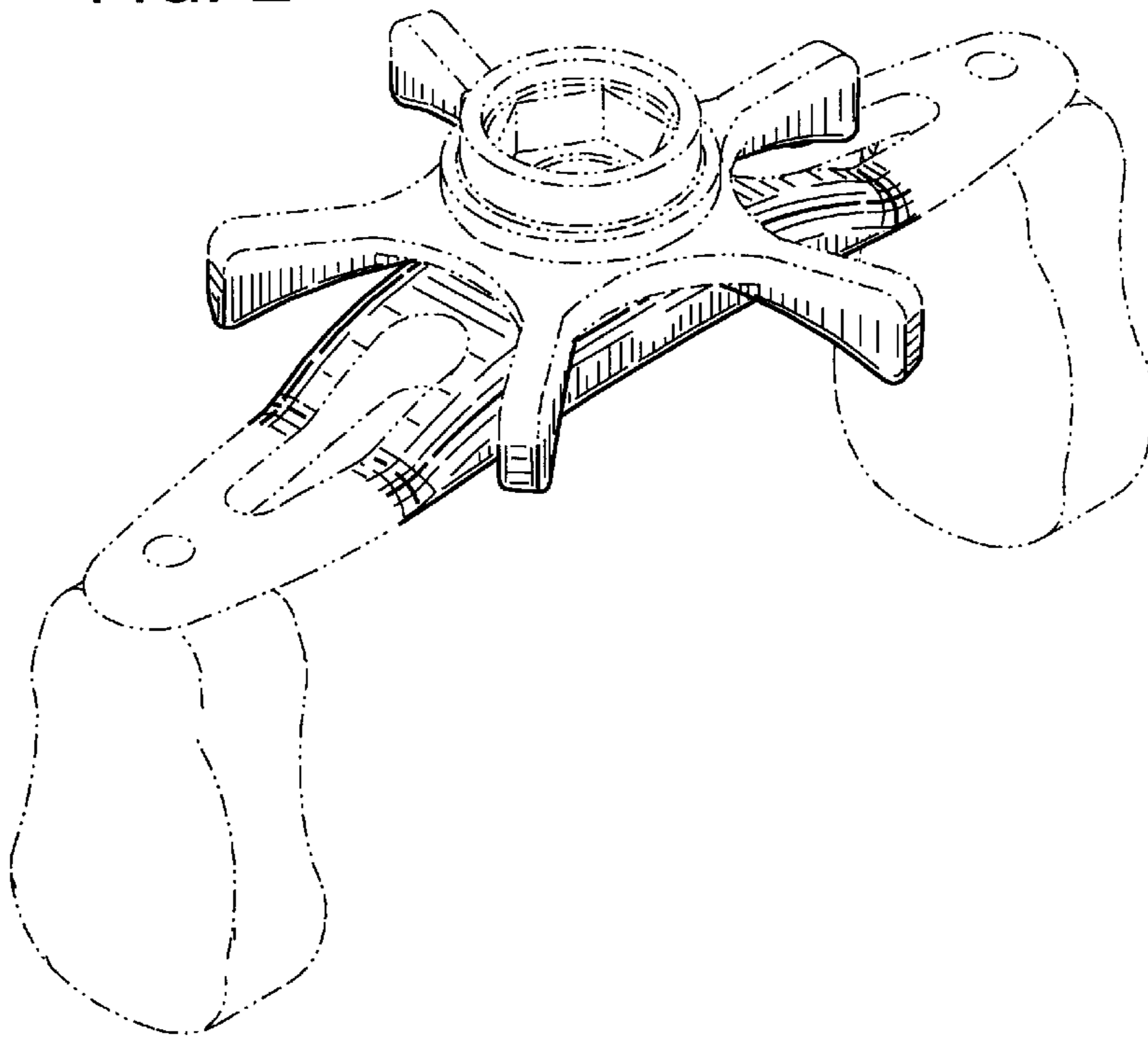


FIG. 1

FIG. 2



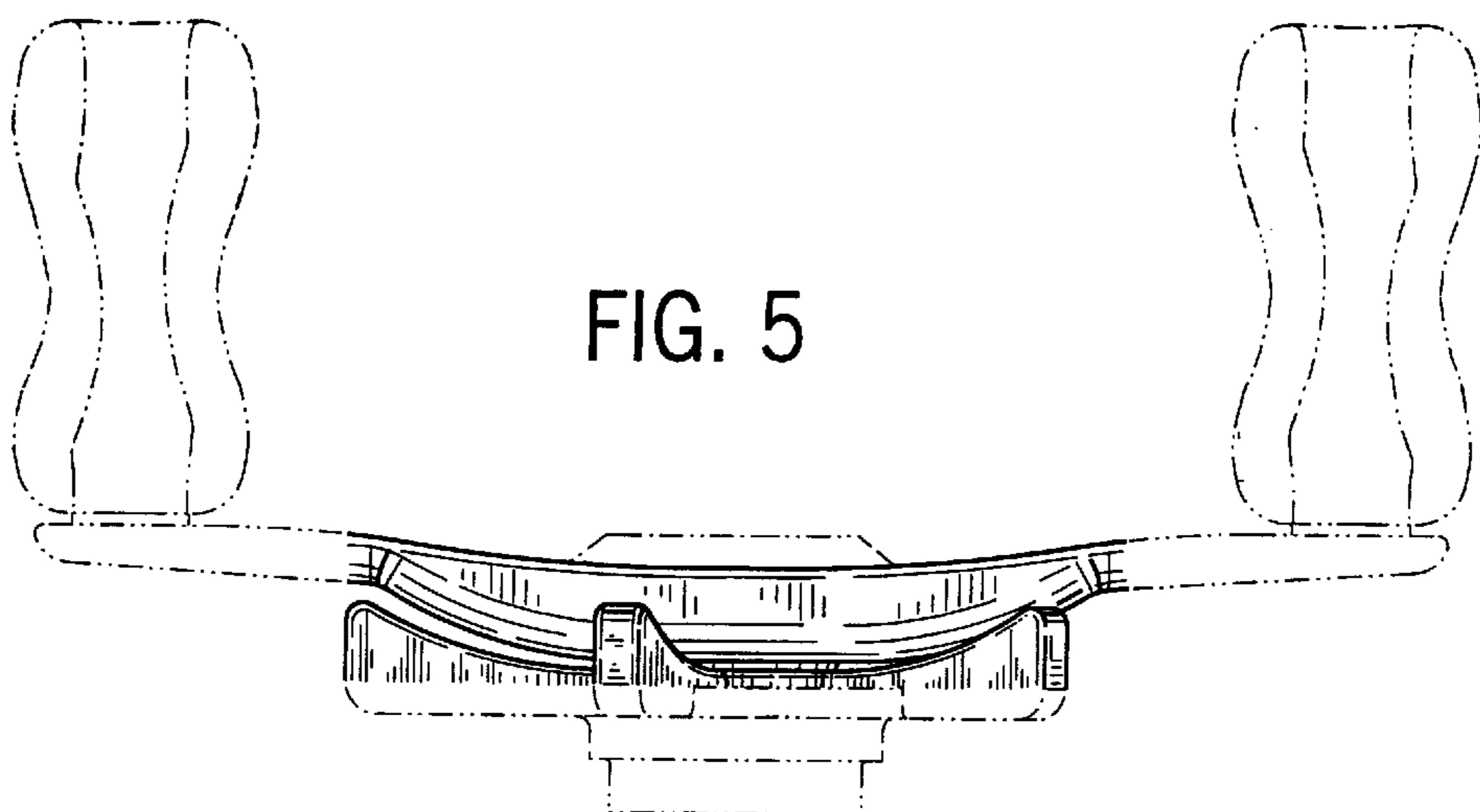
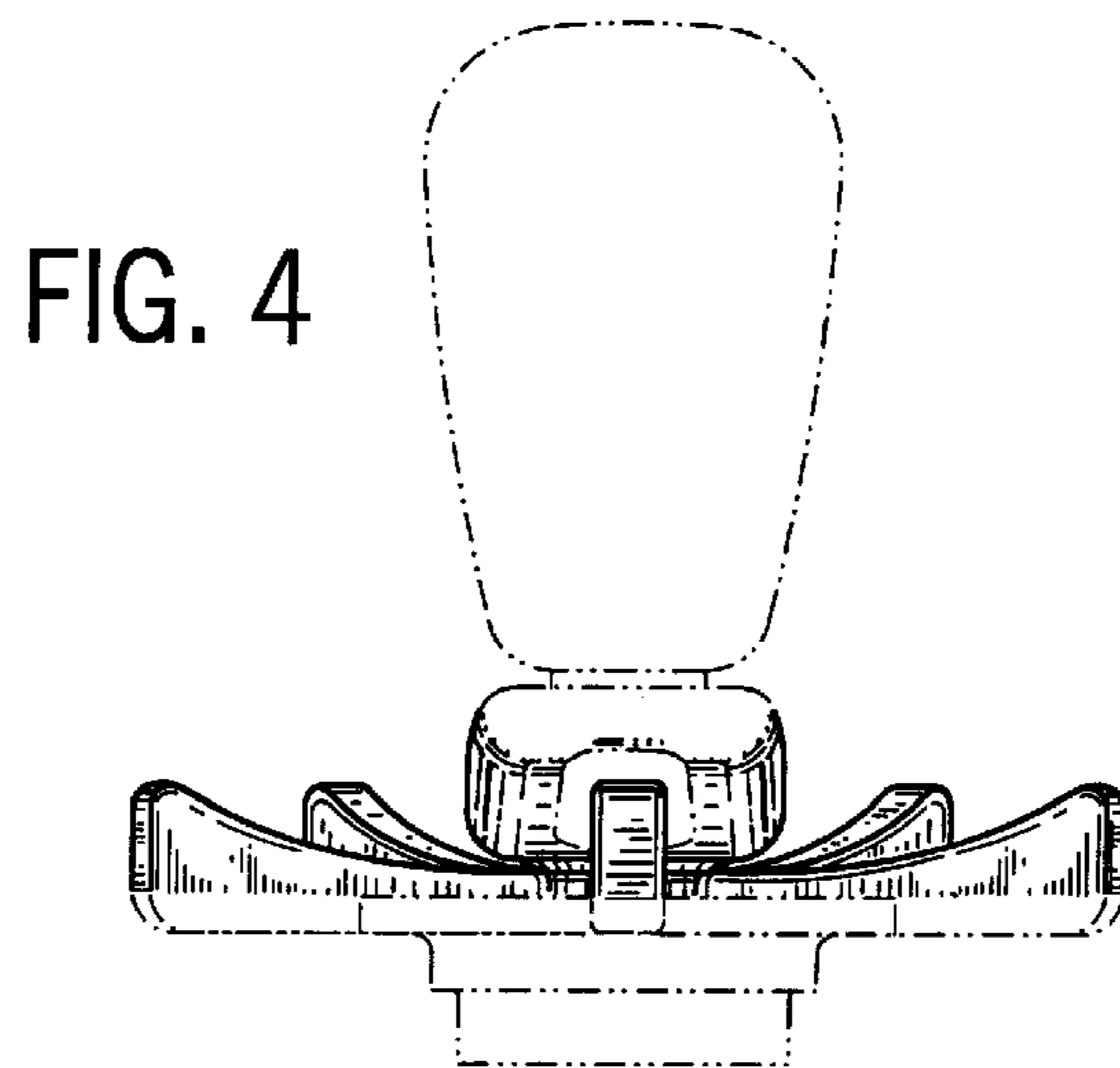
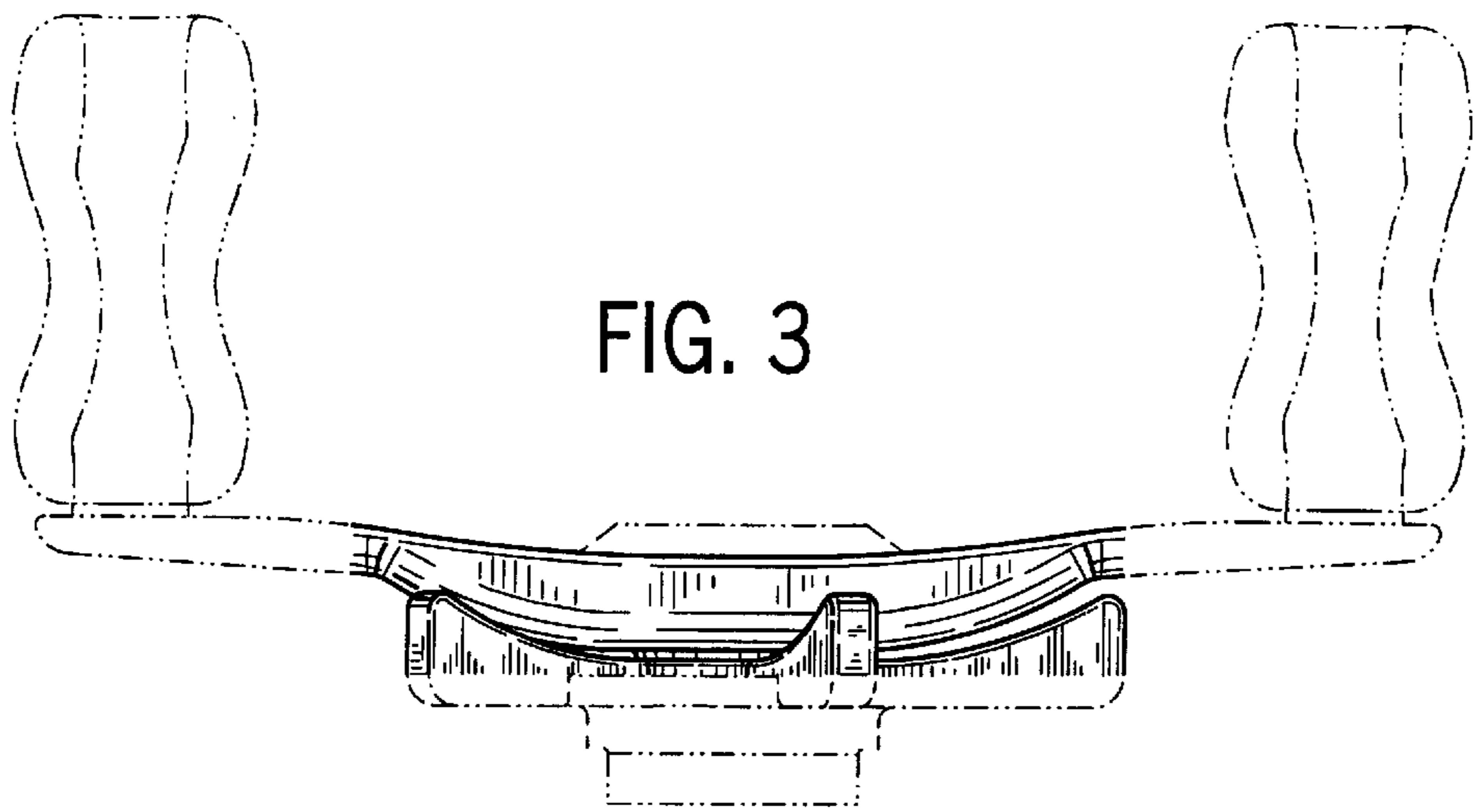


FIG. 6

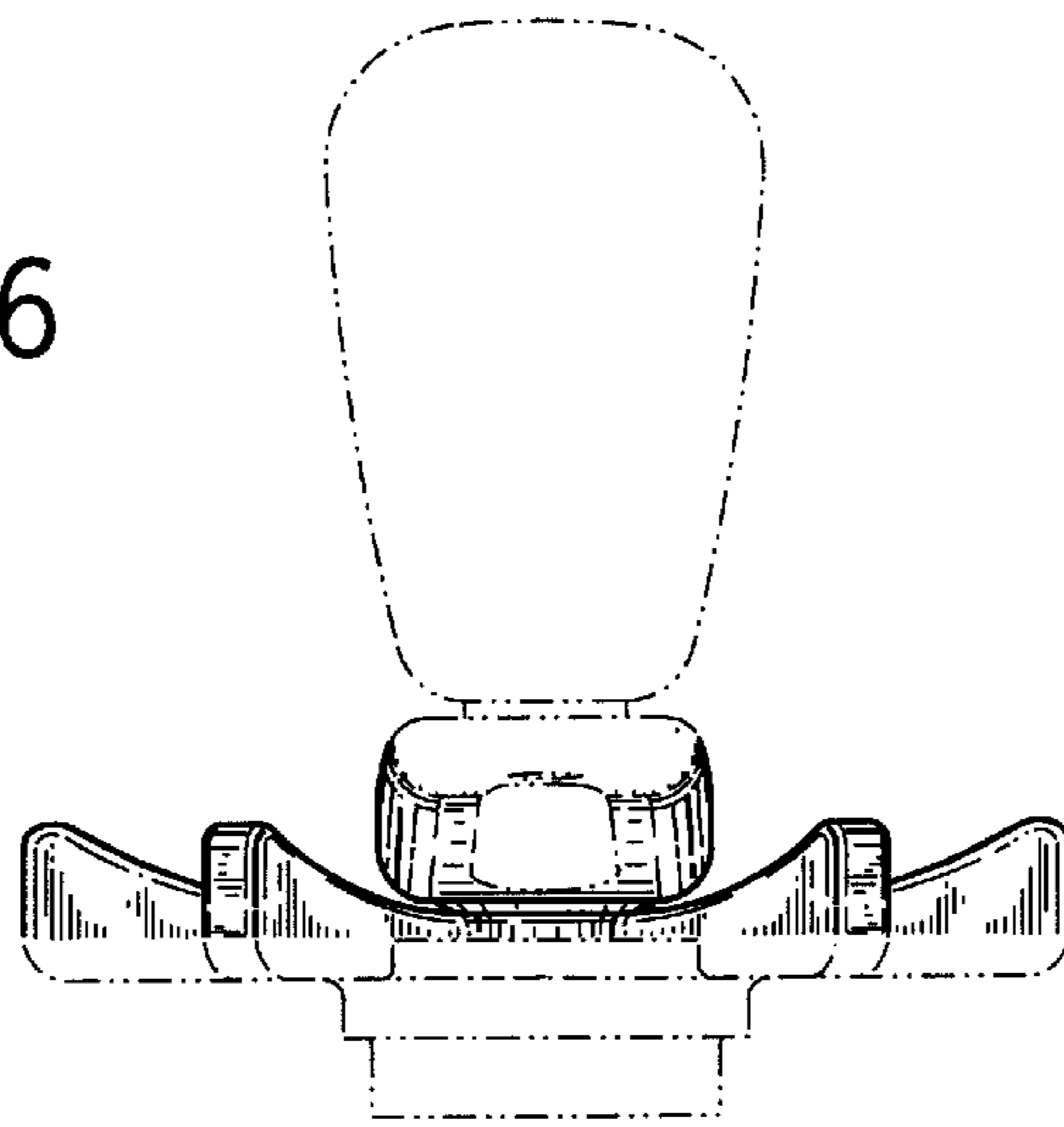


FIG. 7

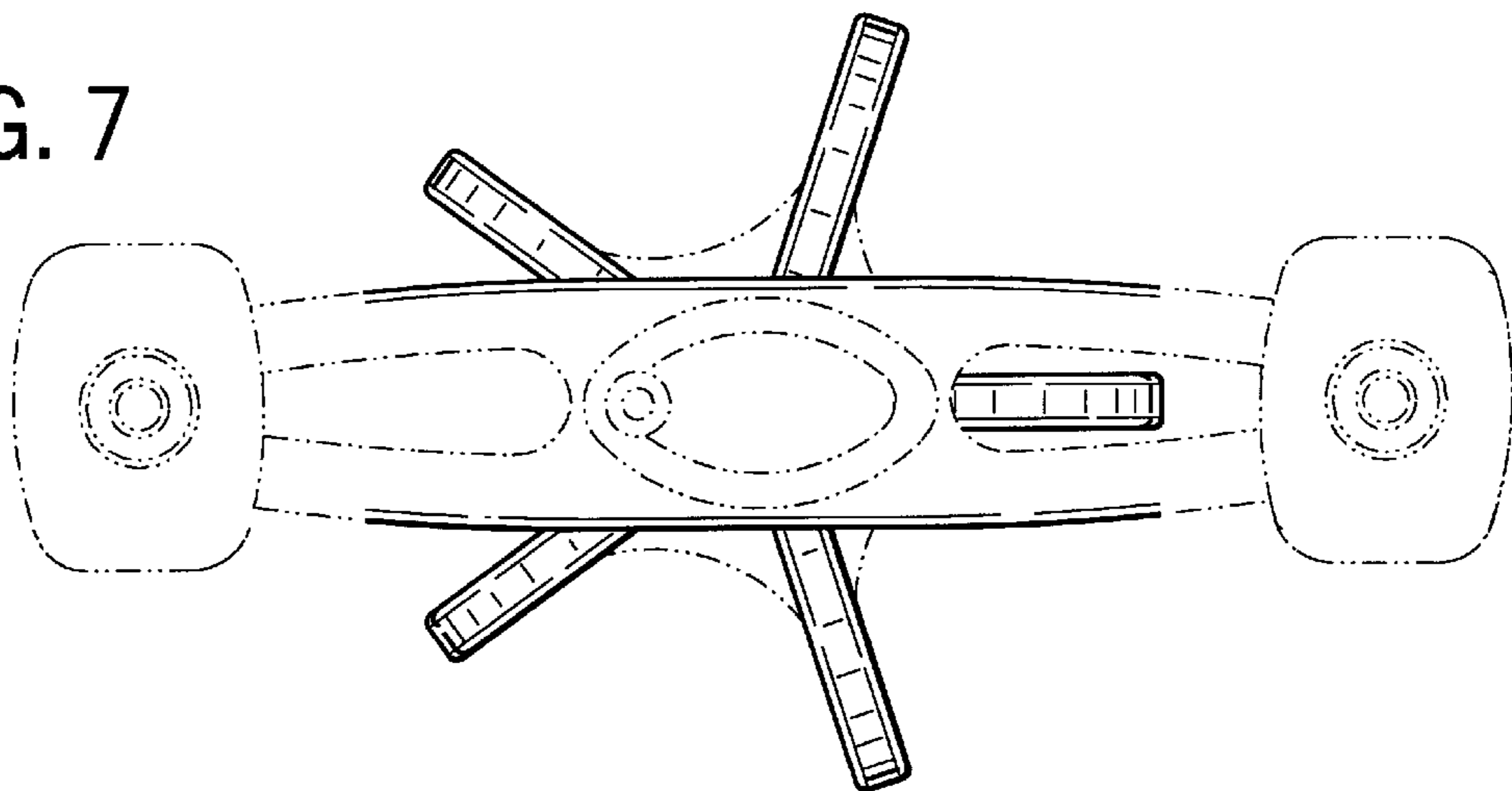


FIG. 8

