



US00D415240S

United States Patent [19]
Jackson

[11] **Patent Number: Des. 415,240**

[45] **Date of Patent: ** Oct. 12, 1999**

[54] **ELECTRONIC ANIMAL AVOIDANCE
DEVICE**

[76] Inventor: **Otto V. Jackson**, P.O. Box 790, Aurora,
Ohio 44202

[**] Term: **14 Years**

[21] Appl. No.: **29/083,344**

[22] Filed: **Feb. 6, 1998**

[51] **LOC (6) Cl.** **22-06**

[52] **U.S. Cl.** **D22/120**

[58] **Field of Search** D22/119, 120,
D22/122, 199; 43/1, 58, 134; 119/908;
D10/104, 106, 121, 116; D30/151, 152,
144, 155; 116/28 R, 137 A

[56] **References Cited**

U.S. PATENT DOCUMENTS

3,903,988	9/1975	Hermesen et al.	116/137 A
4,095,667	6/1978	Mahig et al.	116/137 A
4,437,428	3/1984	Hoffelner	116/137 R
4,903,630	2/1990	Rezmer	116/28 R

OTHER PUBLICATIONS

The Alsto Company, Handy Helpers Catalog, p. 45, Deer Alerts (middle left of page), Jan. 1991.

Primary Examiner—Louis S. Zarfes

Assistant Examiner—Inga-Maria Hyttinen

Attorney, Agent, or Firm—Renner, Otto, Boisselle & Sklar, P.L.L.

[57] **CLAIM**

The ornamental design for an electronic animal avoidance device, as shown and described.

DESCRIPTION

FIG. 1 is a top plan view of an electronic animal avoidance device showing my new design;

FIG. 2 is a bottom plan view thereof;

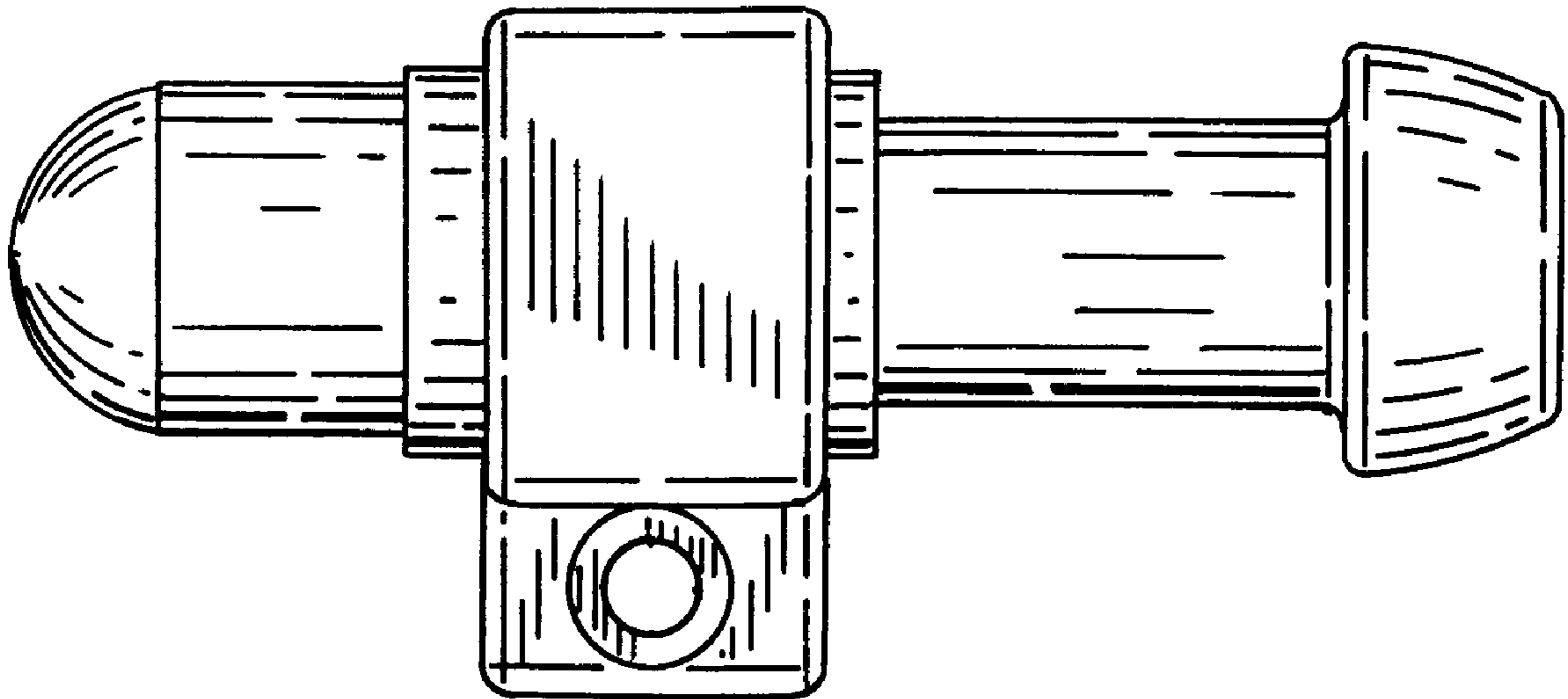
FIG. 3 is a rear elevation view thereof;

FIG. 4 is a front elevation view thereof;

FIG. 5 is a side elevation view as seen from the left side of FIG. 4; and,

FIG. 6 is a side elevation view as seen from the right side of FIG. 4.

1 Claim, 1 Drawing Sheet



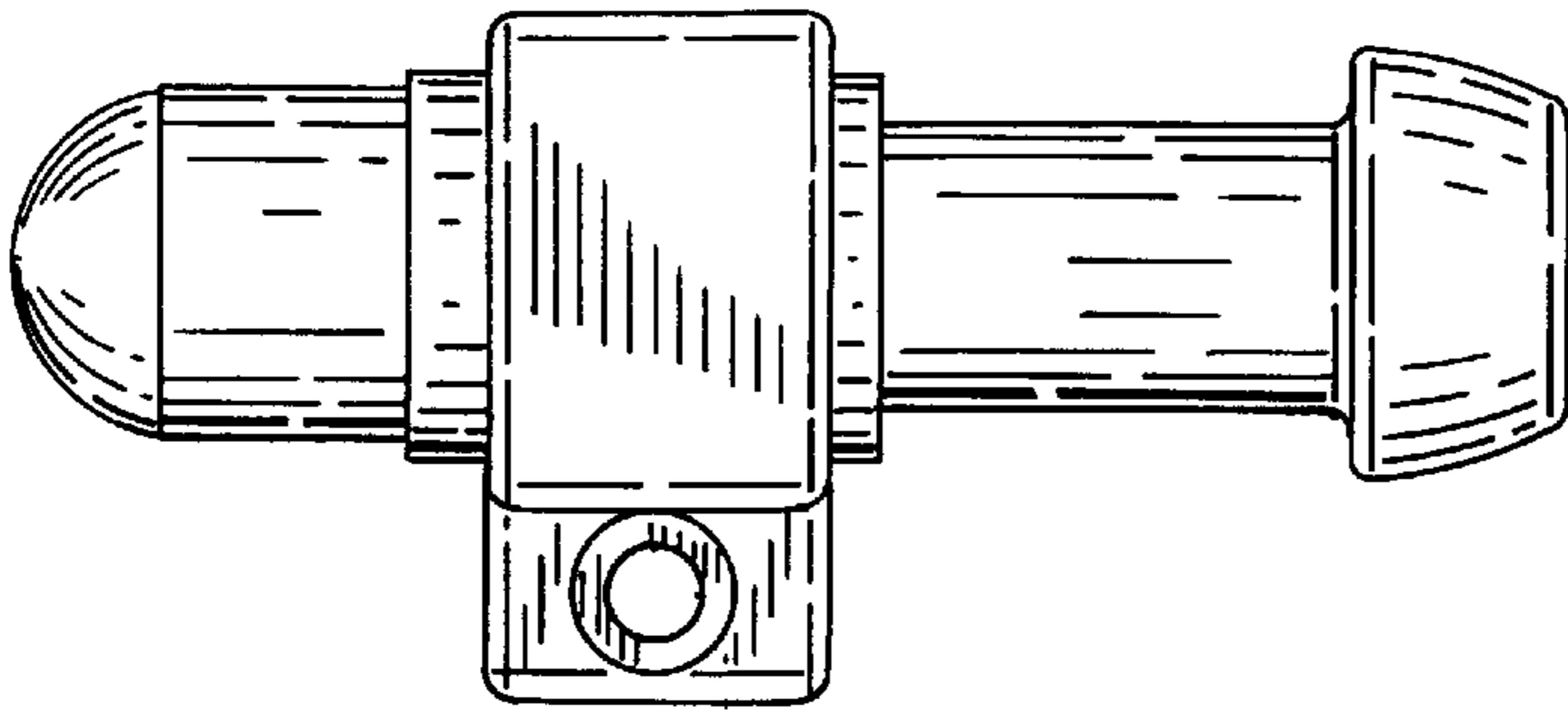


FIG. 1

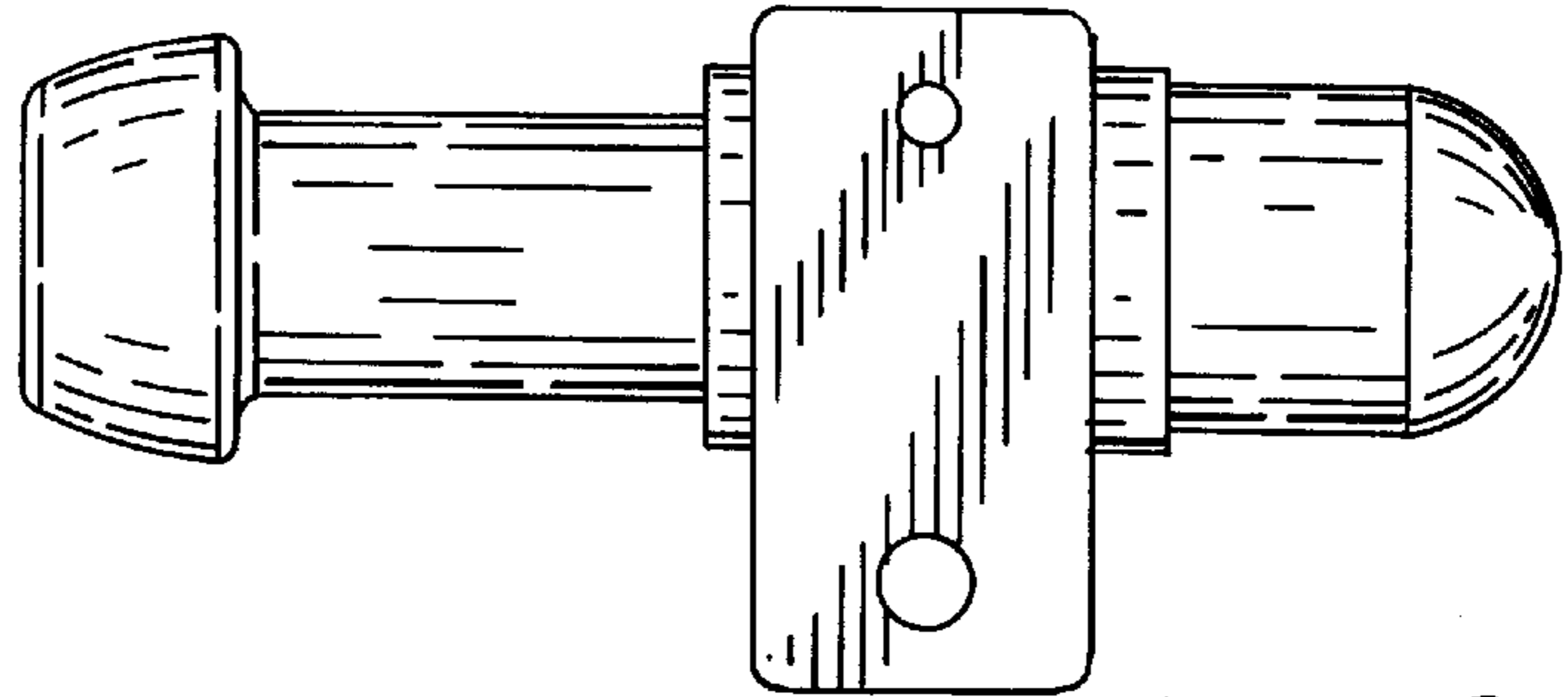


FIG. 2

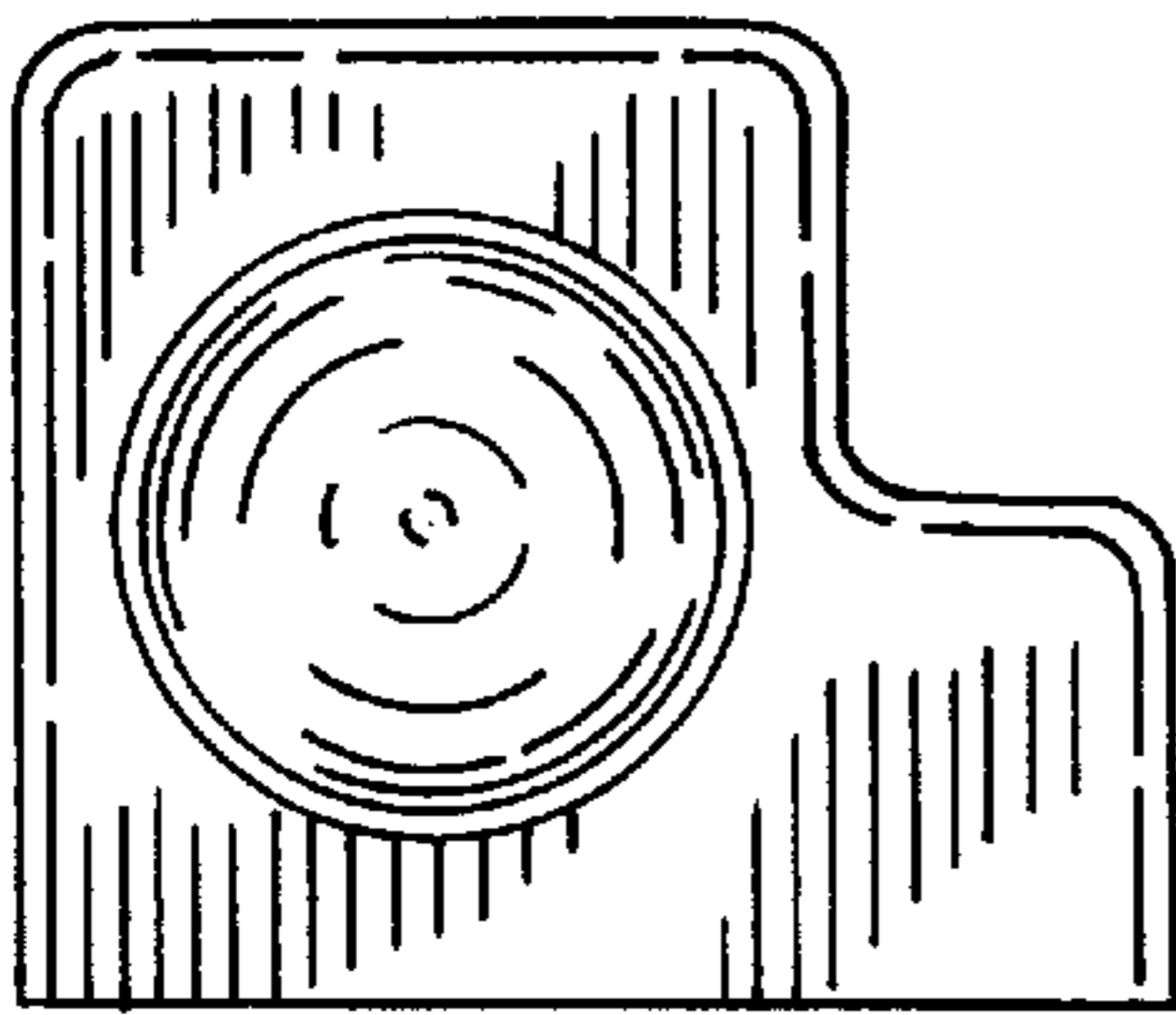


FIG. 3

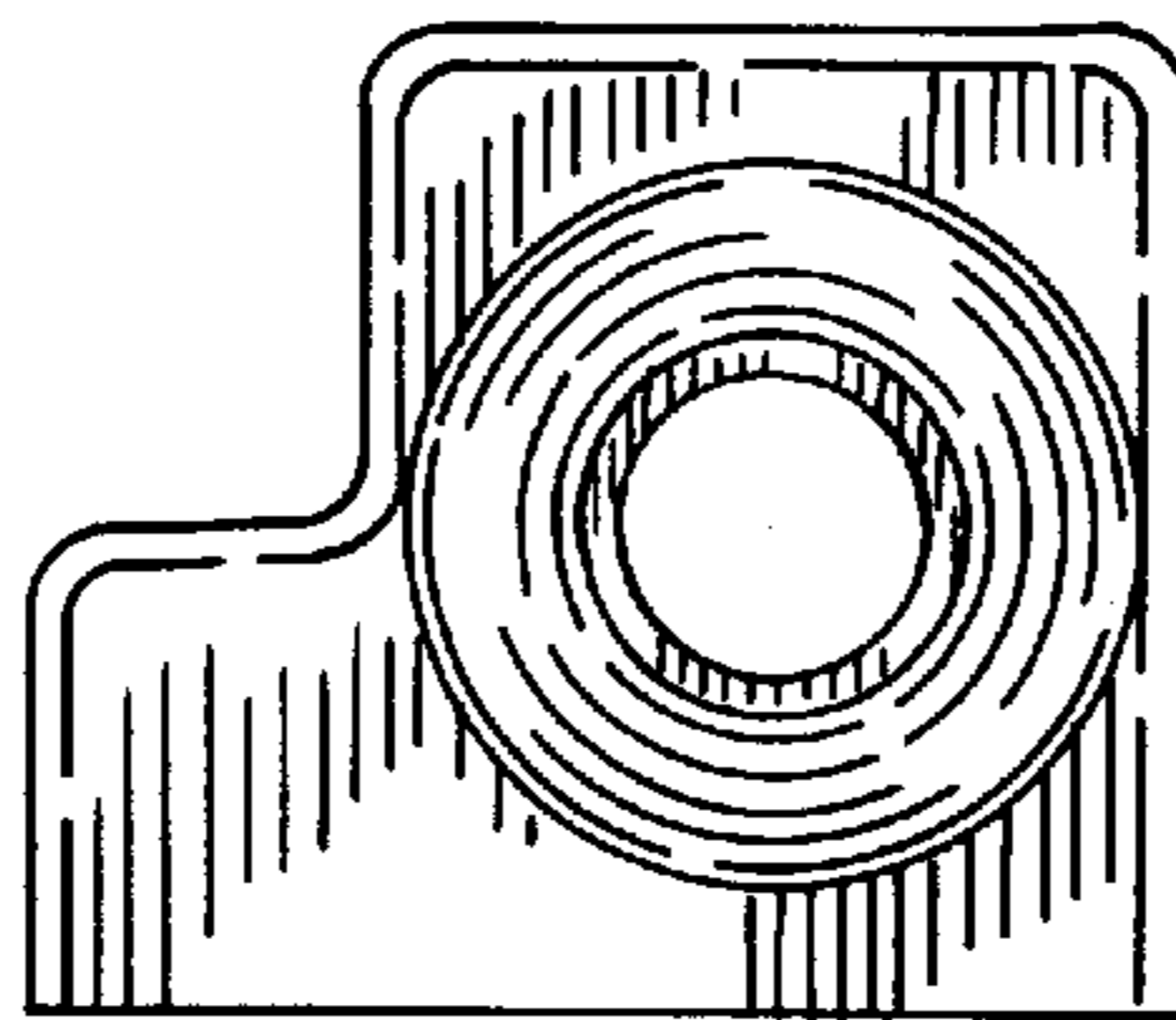


FIG. 4

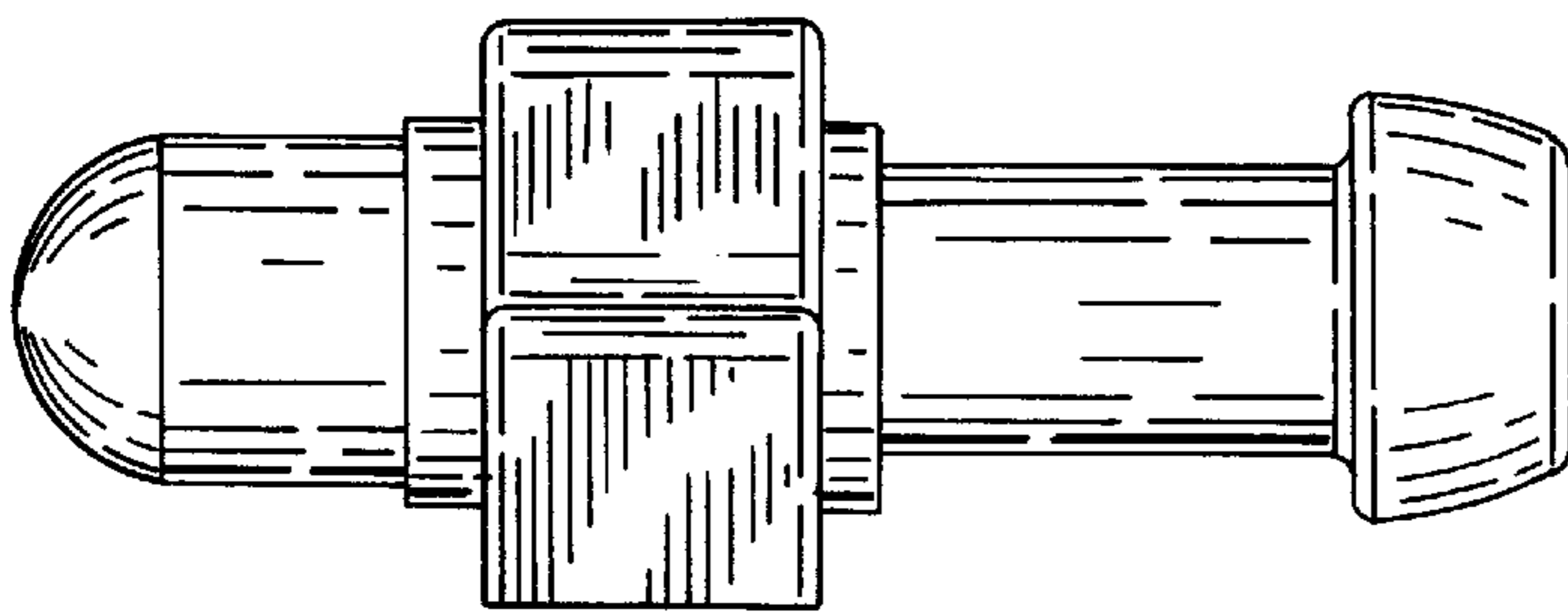


FIG. 5

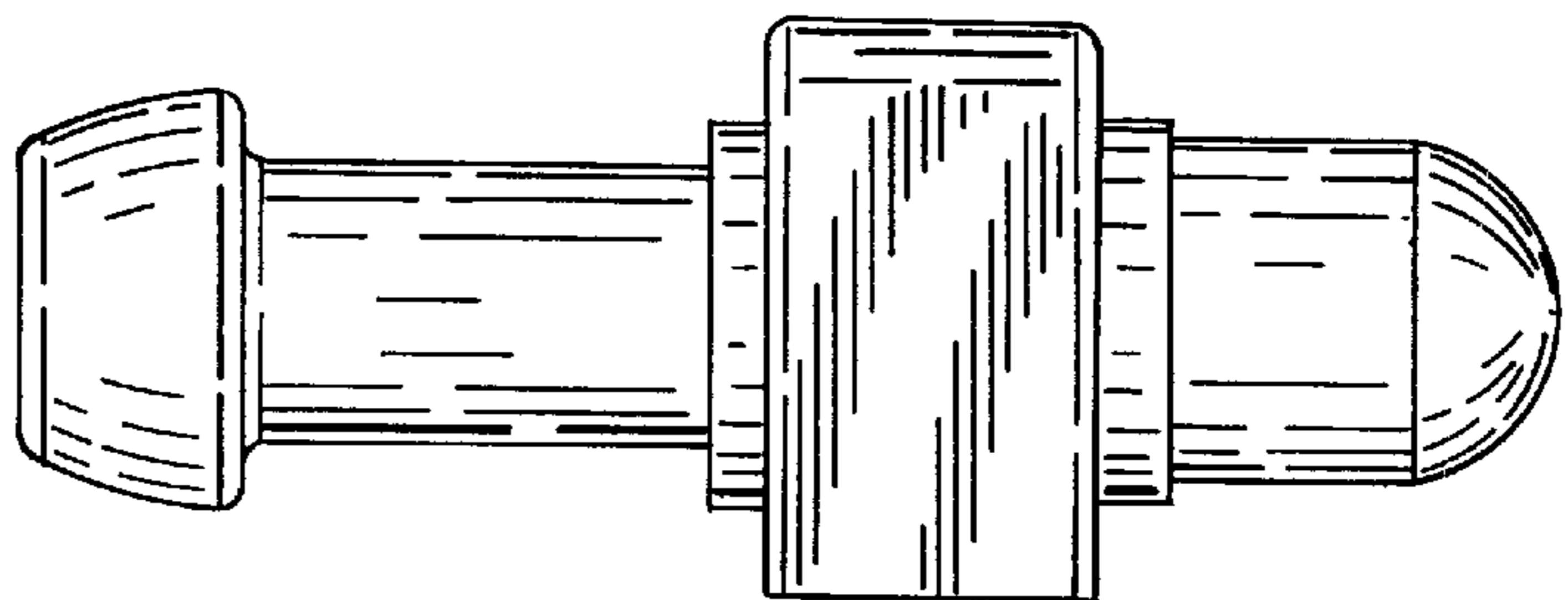


FIG. 6