



US00D415239S

# United States Patent [19]

Fell et al.

[11] Patent Number: **Des. 415,239**

[45] Date of Patent: **\*\* Oct. 12, 1999**

[54] **TACTICALLY ADVANCED COMBAT MOUNT ILLUMINATING SYSTEM**

[76] Inventors: **Mark Kevin Fell**, 1070 Big Horn Cir. NW.; **Michael Jon Squillante**, 1353 Unter Ave. NW., both of Palm Bay, Fla. 32907

[\*\*] Term: **14 Years**

[21] Appl. No.: **29/066,310**

[22] Filed: **Feb. 10, 1997**

### Related U.S. Application Data

[62] Division of application No. 08/543,276, Oct. 16, 1995.

[51] **LOC (6) Cl.** ..... **22-01**

[52] **U.S. Cl.** ..... **D22/110; D22/108; D22/109**

[58] **Field of Search** ..... **D22/108, 109, D22/110; 33/245; 42/101, 103; 362/110, 113, 114**

### [56] References Cited

#### U.S. PATENT DOCUMENTS

D. 394,096 5/1998 Edgar ..... D22/108 X  
1,095,686 5/1914 Webb ..... 362/113

1,535,459 4/1925 Frederickson ..... 42/103  
2,529,057 11/1950 Teffault ..... 362/110  
3,222,511 12/1965 Breeding ..... 42/103  
5,671,561 9/1997 Johnson et al. .... 42/101

*Primary Examiner*—Louis S. Zarfes  
*Assistant Examiner*—Monica A. Weingart

### [57] CLAIM

The ornamental design for a tactically advanced combat mount illuminating system, as shown and described.

### DESCRIPTION

FIG. 1 is a top, front, left side perspective view of a portion of the barrel of a long gun upon which has been installed the embodiment of the invention;

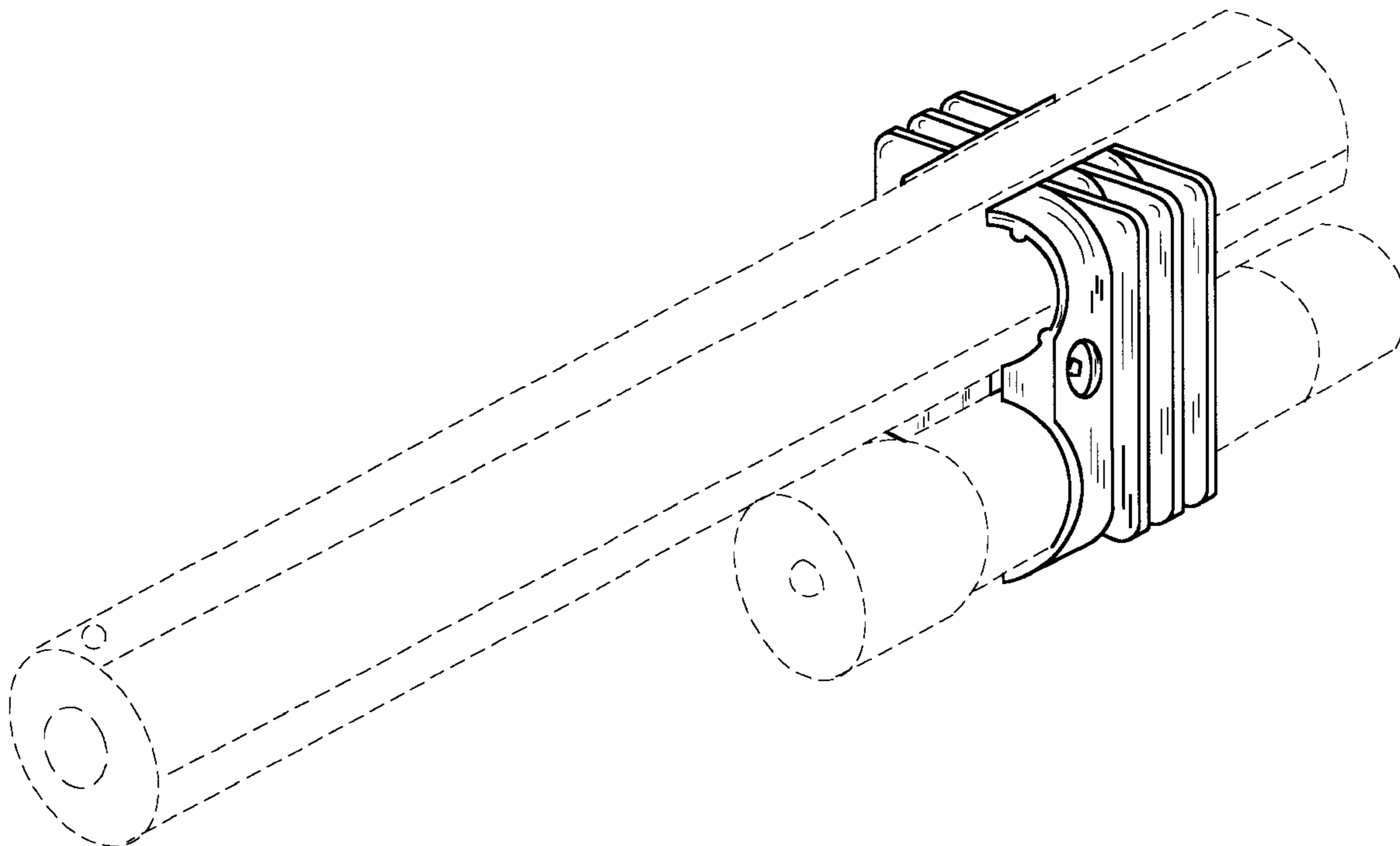
FIG. 2 is a front elevation view thereof, with each half of the embodiment being a mirror images of each other;

FIG. 3 is a right elevation view thereof, the left side being a mirror image; and,

FIG. 4 is an exploded top, front, left side perspective view thereof, the bottom, rear, right side perspective being a mirror image.

The gun barrel and flashlight are shown in broken lines in FIG. 1 for illustrative purposes only.

**1 Claim, 2 Drawing Sheets**



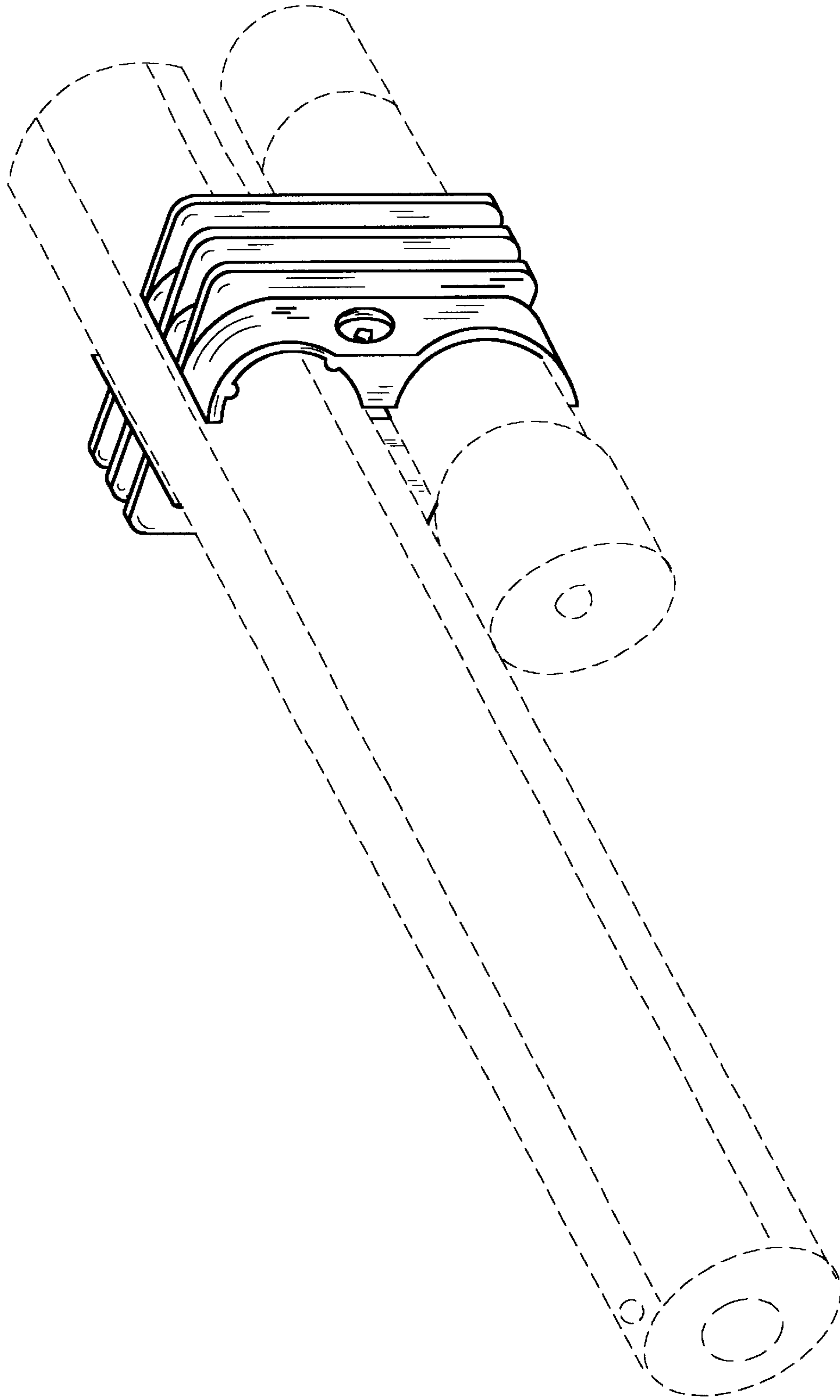


Fig. 1

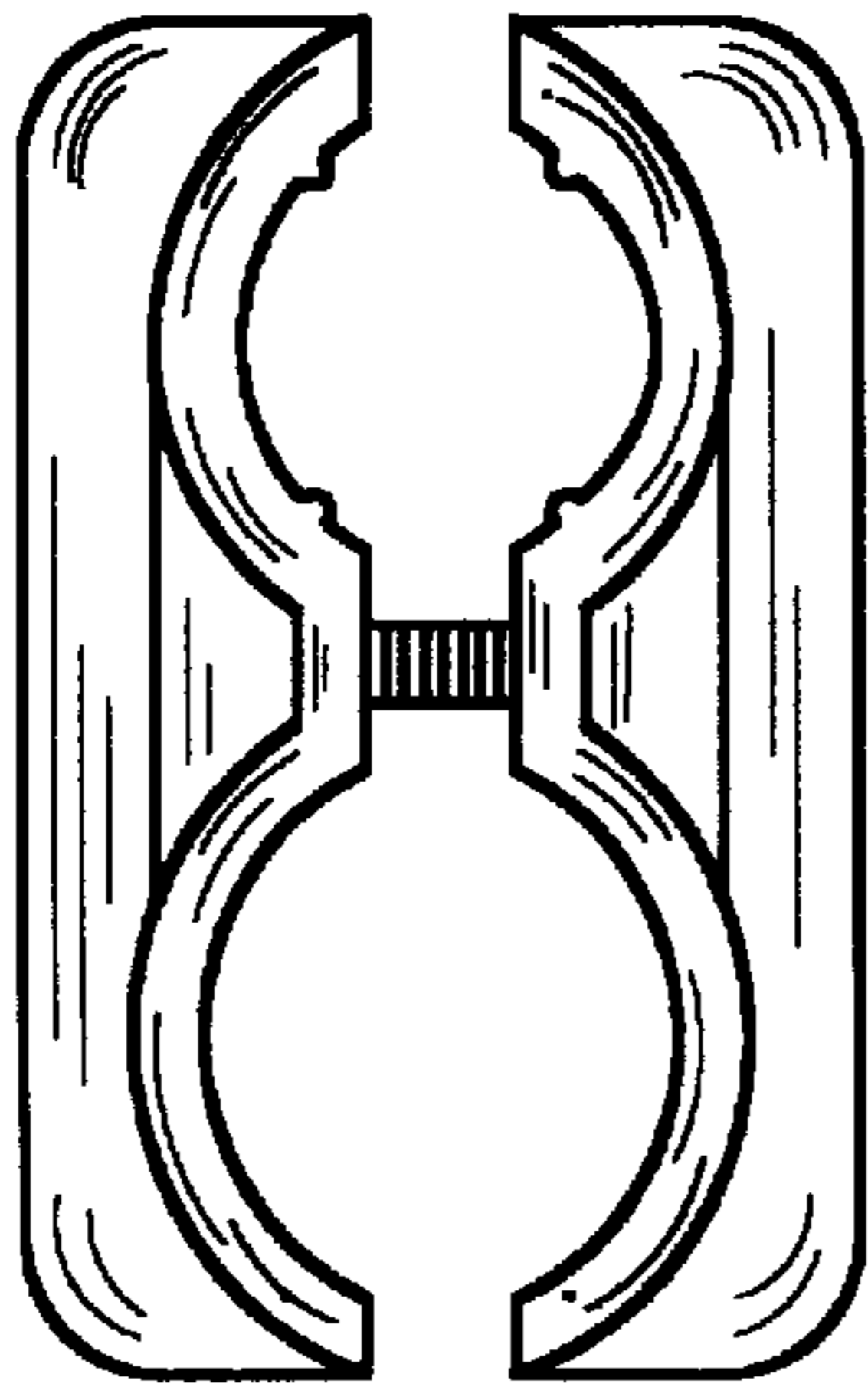


Fig. 2

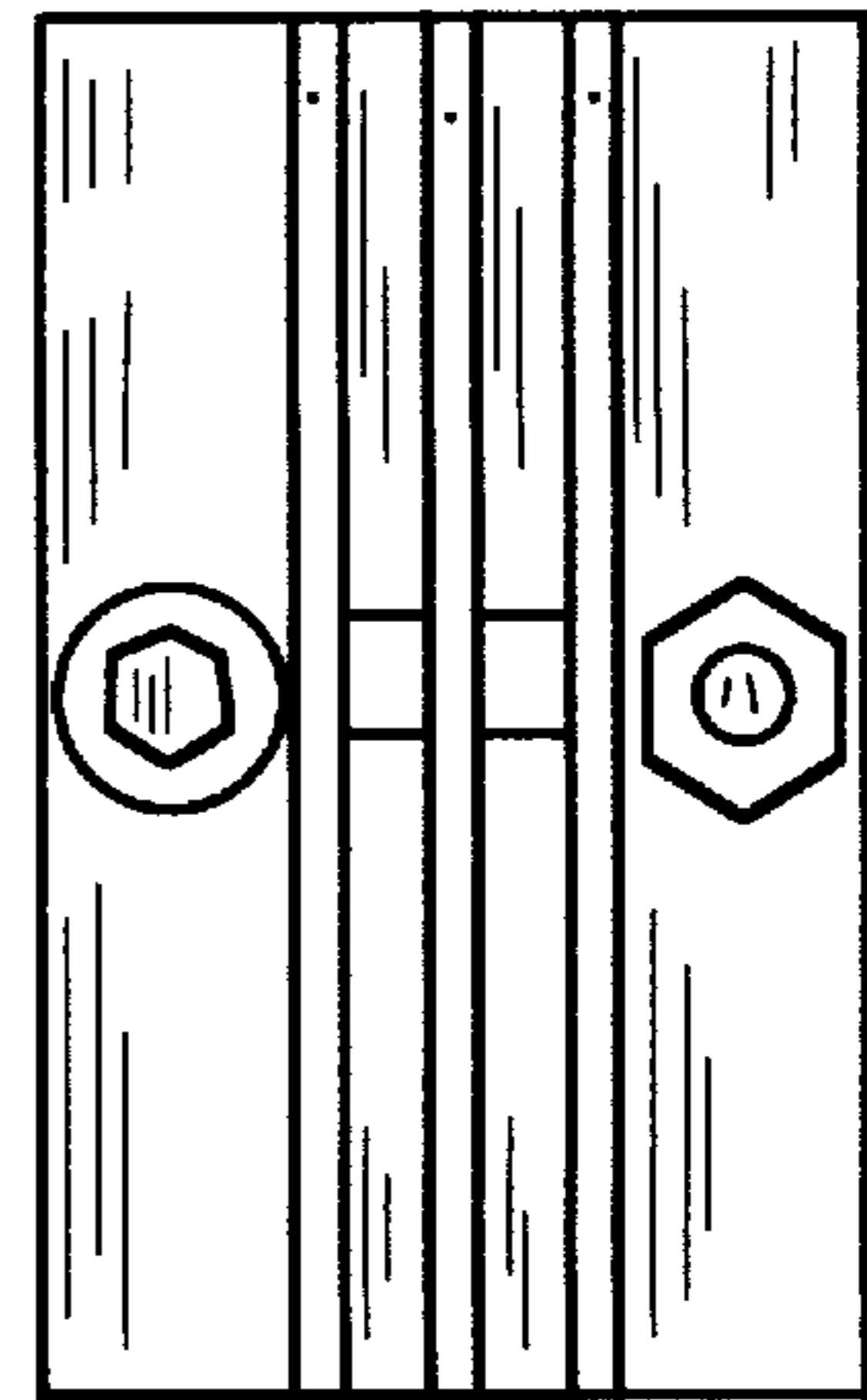


Fig. 3

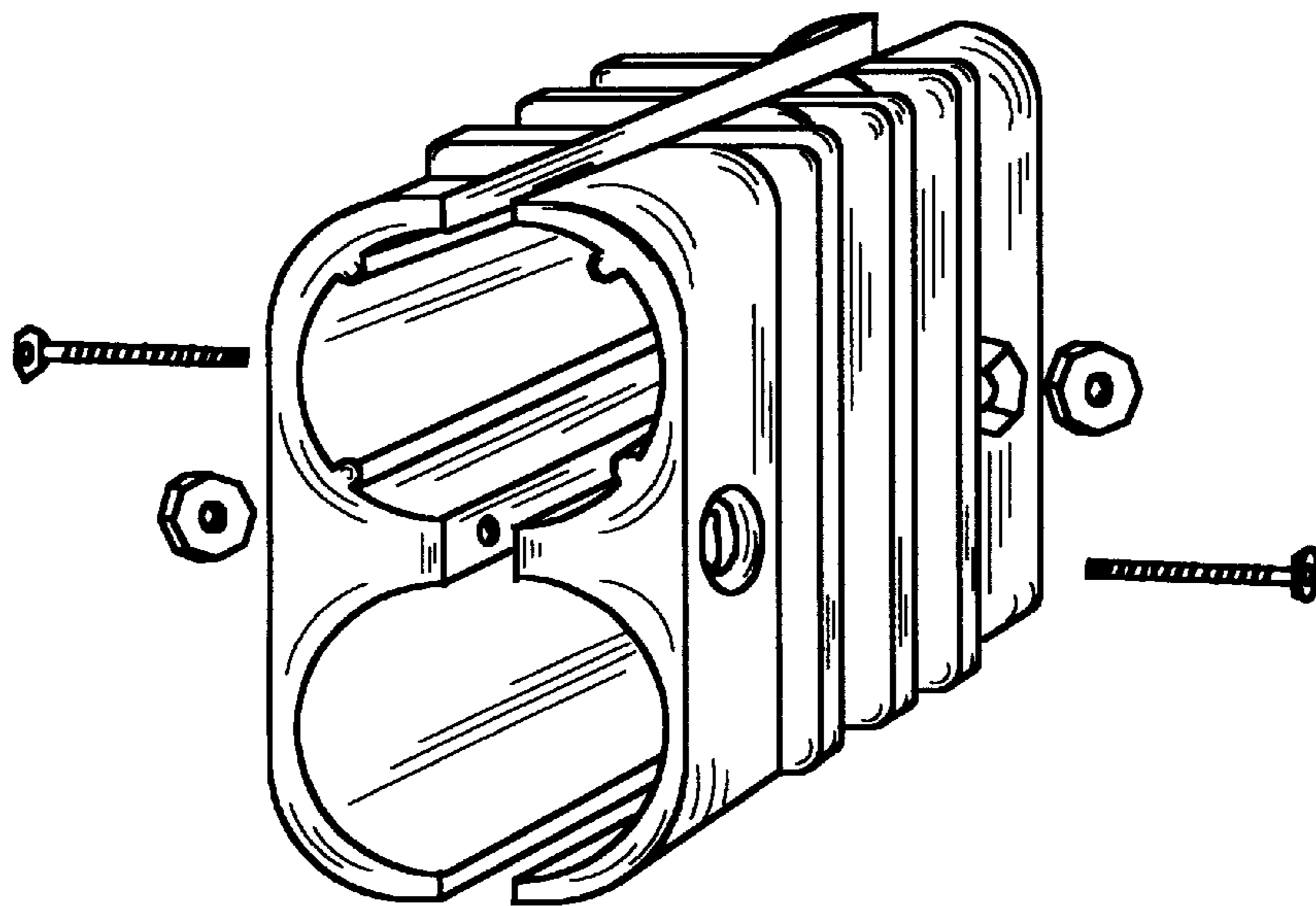


Fig. 4