



US00D415238S

# United States Patent [19] Kay

[11] **Patent Number: Des. 415,238**

[45] **Date of Patent: \*\* Oct. 12, 1999**

[54] **AMBIDEXTROUS THUMB SAFETY**

4,523,510 6/1985 Wilhelm ..... 89/142  
5,212,327 5/1993 Schuemann ..... 89/154  
5,267,407 12/1993 Bornancini ..... 89/154

[76] Inventor: **Ira M. Kay**, 7553 Gary Rd., P.O. Box  
1750, Manassas, Va. 20109

[\*\*] Term: **14 Years**

*Primary Examiner*—Louis S. Zarfes  
*Assistant Examiner*—Monica A. Weingart  
*Attorney, Agent, or Firm*—Shlesinger, Arkwright & Garvey  
LLP

[21] Appl. No.: **29/098,568**

[22] Filed: **Dec. 31, 1998**

### [57] CLAIM

#### Related U.S. Application Data

The ornamental design for an ambidextrous thumb safety, as shown and described.

[63] Continuation-in-part of application No. 29/071,033, May 19, 1997.

### DESCRIPTION

[51] **LOC (6) Cl.** ..... **22-01**

FIG. 1 is rear perspective view of an ambidextrous thumb safety, showing my new design;

[52] **U.S. Cl.** ..... **D22/108; D22/100; D22/199**

FIG. 2 is a rear elevational view of FIG. 1;

[58] **Field of Search** ..... D22/100, 108,  
D22/199; 89/27.12, 142, 148, 154

FIG. 3 is a front elevational view of FIG. 1;

FIG. 4 is a top plan view of FIG. 1;

FIG. 5 is a bottom plan view of FIG. 1;

FIG. 6 is a right side elevational view of FIG. 1; and,

FIG. 7 is a left side elevational view of FIG. 1.

### [56] References Cited

#### U.S. PATENT DOCUMENTS

D. 258,139 2/1981 Behlert ..... D22/108  
D. 260,548 9/1981 Holland ..... D22/108  
3,713,242 1/1973 Seifried ..... 89/142

The broken lines shown in FIGS. 1–7 form no part of the claimed design.

**1 Claim, 2 Drawing Sheets**

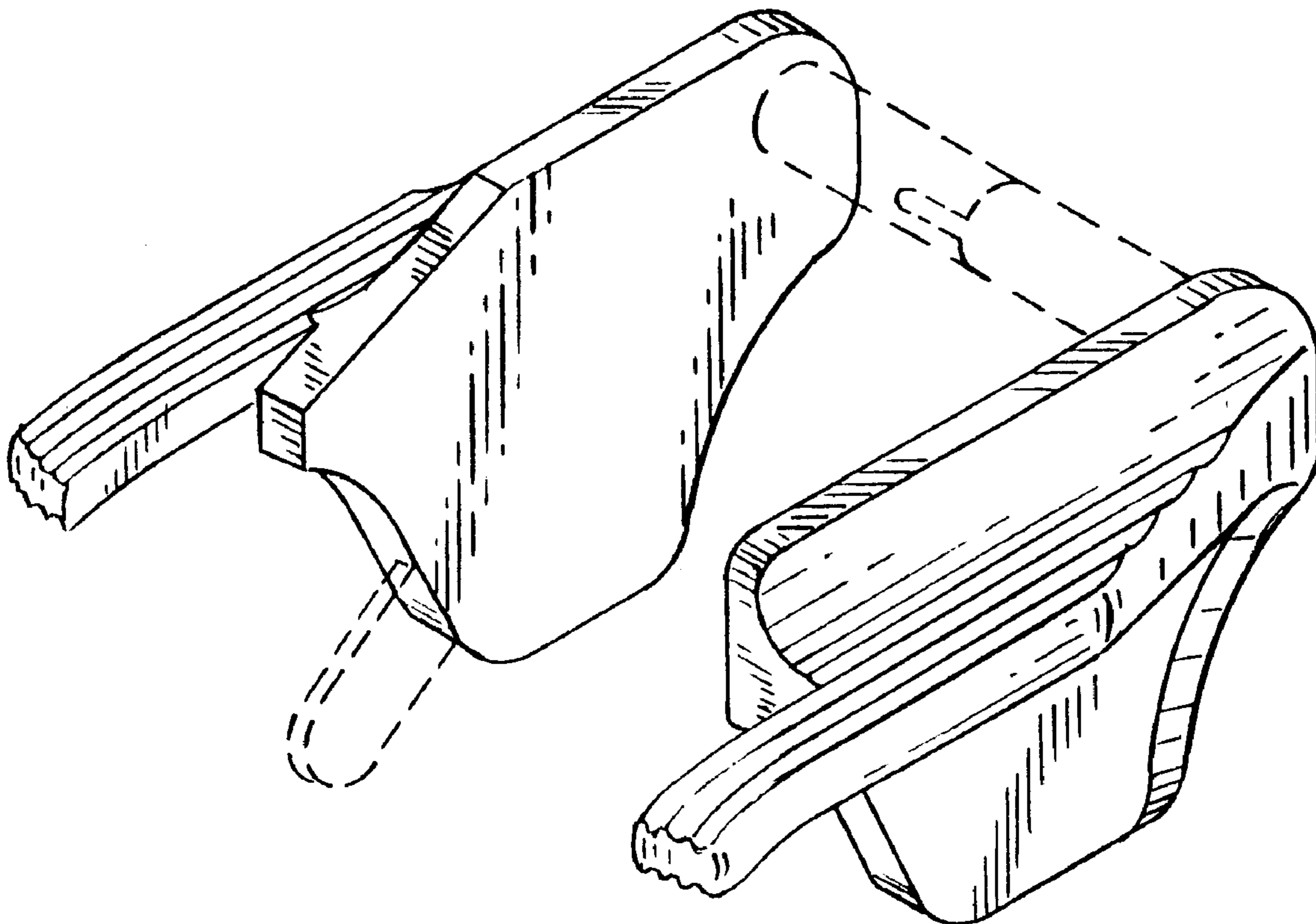


FIG. 1

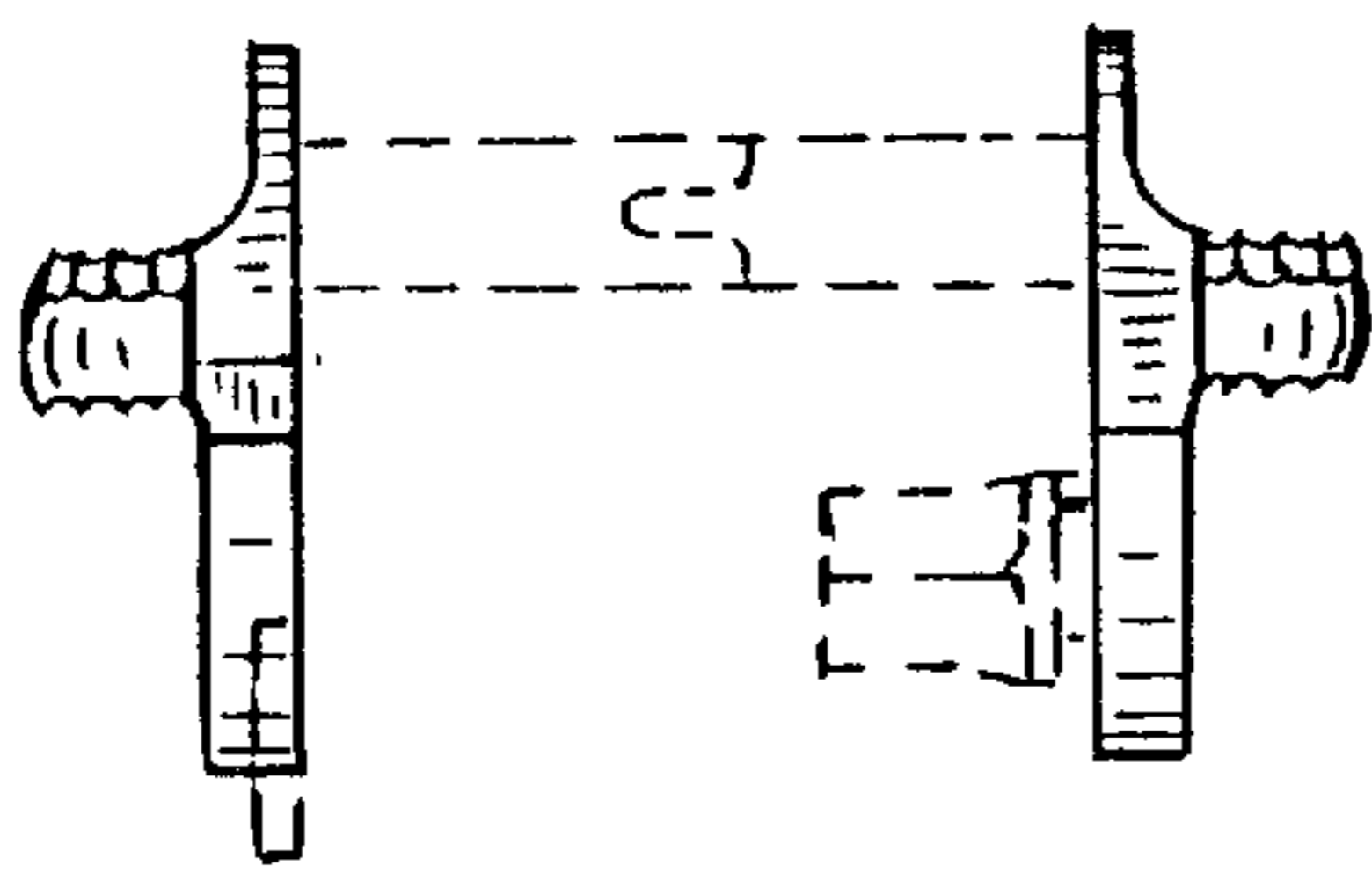
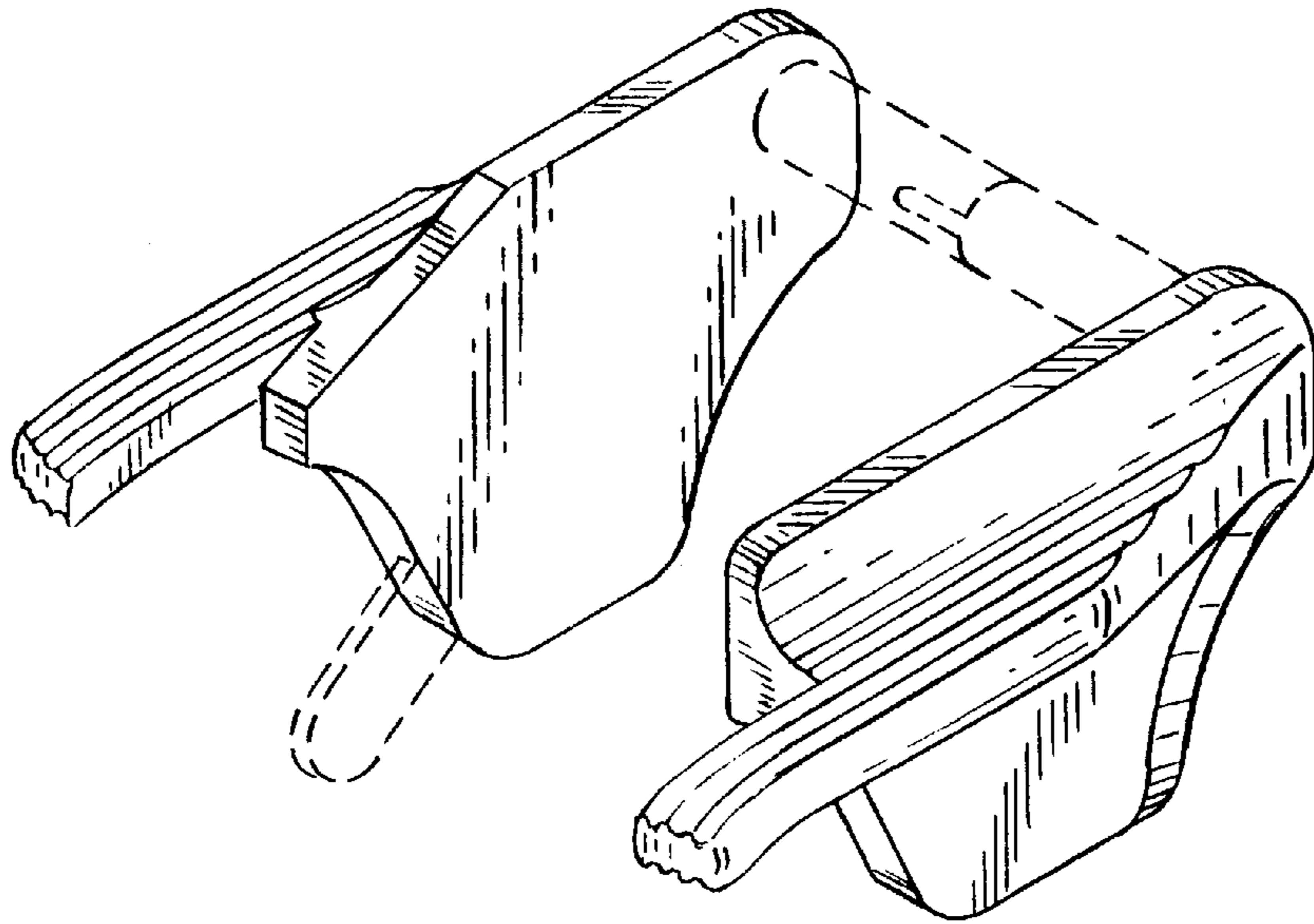


FIG. 2

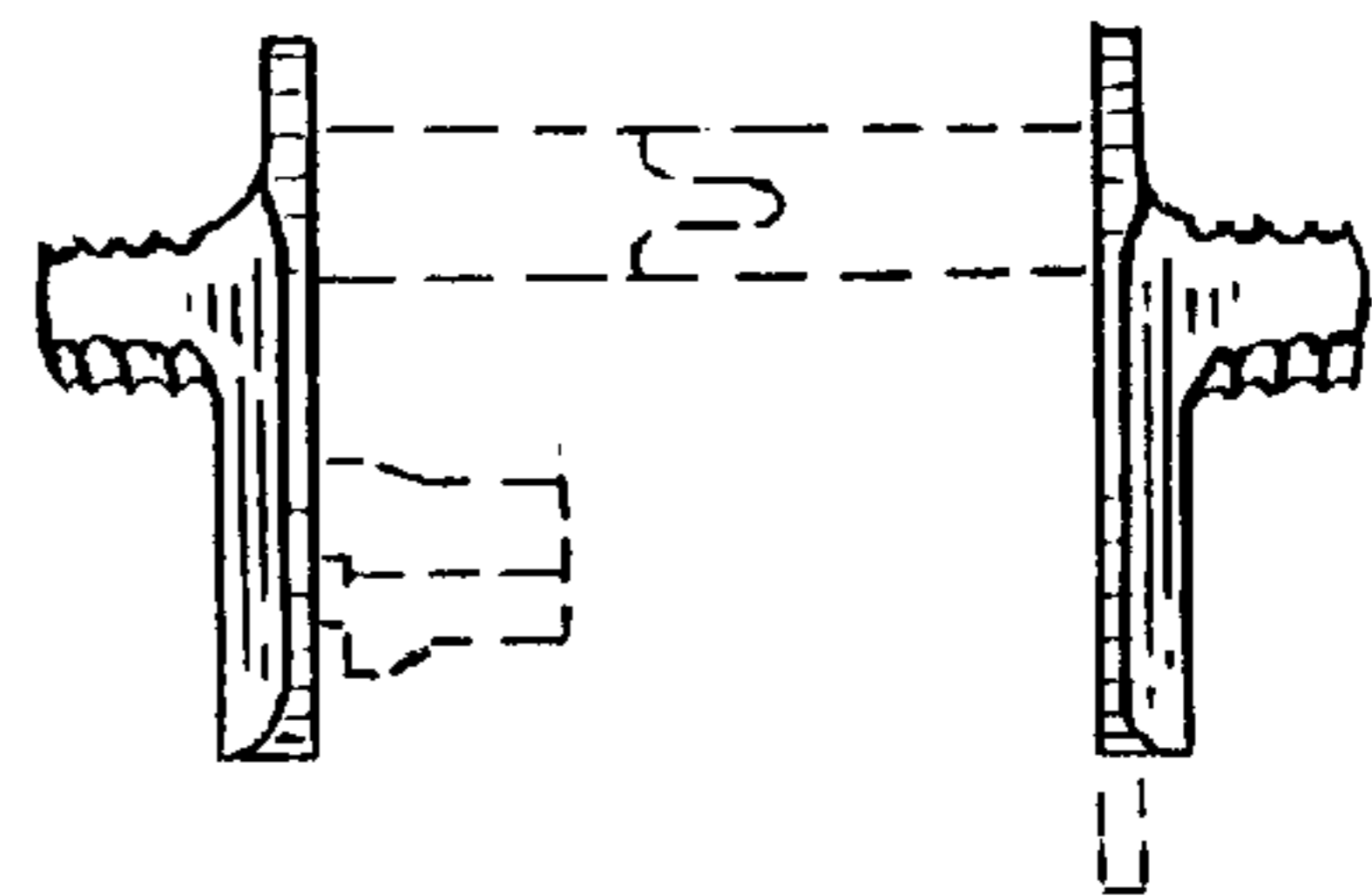


FIG. 3

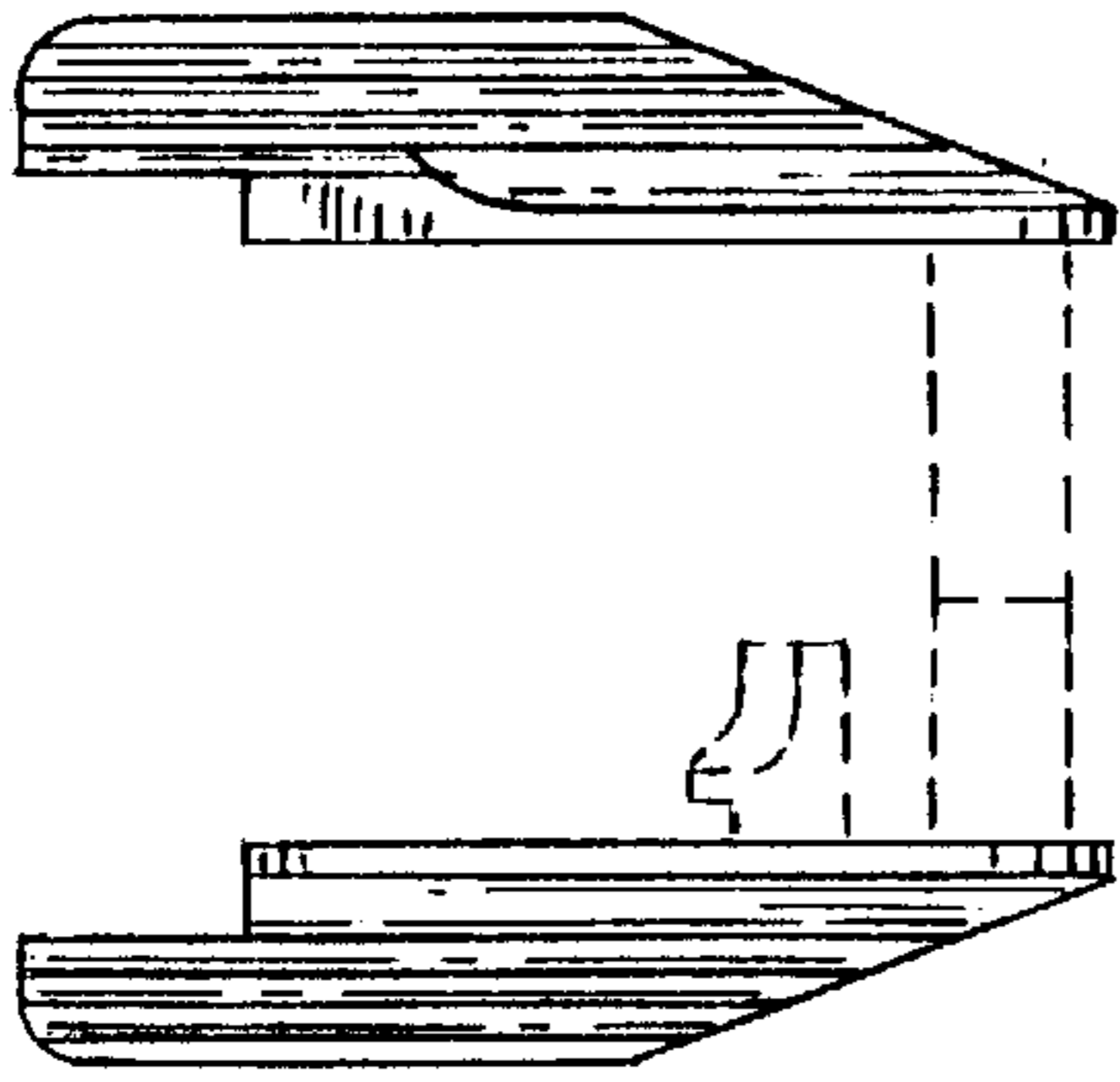


FIG. 4

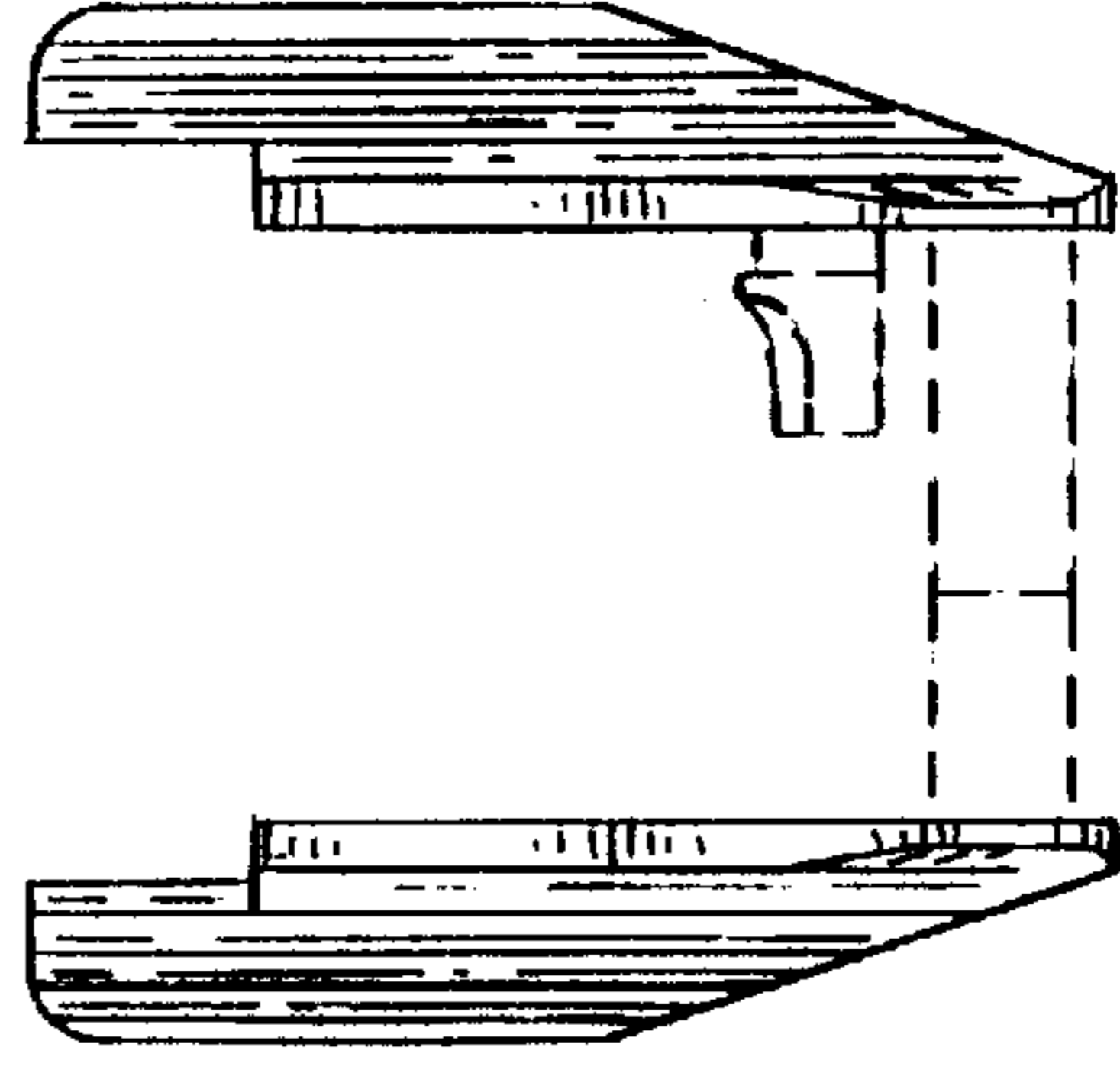


FIG. 5

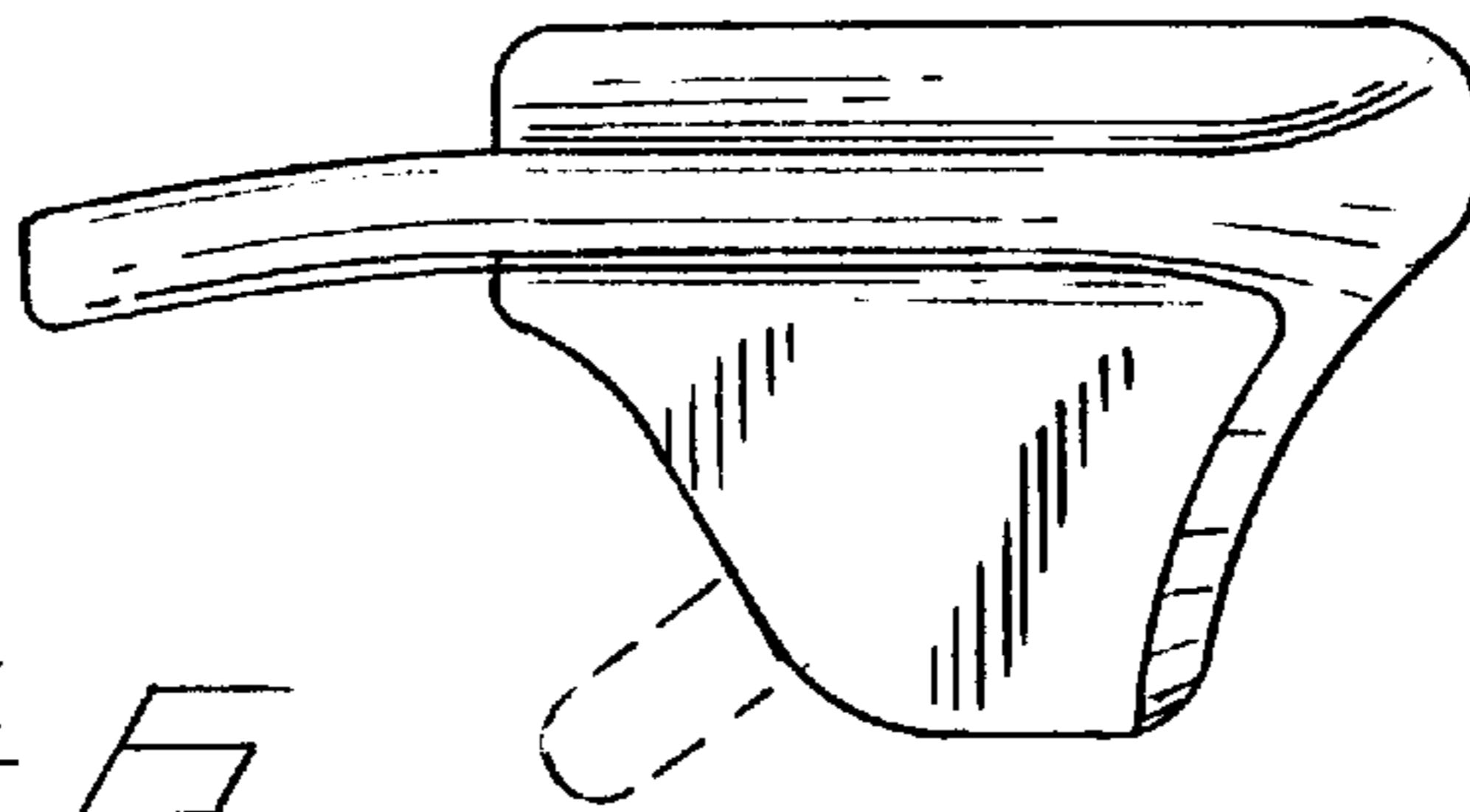


FIG. 6

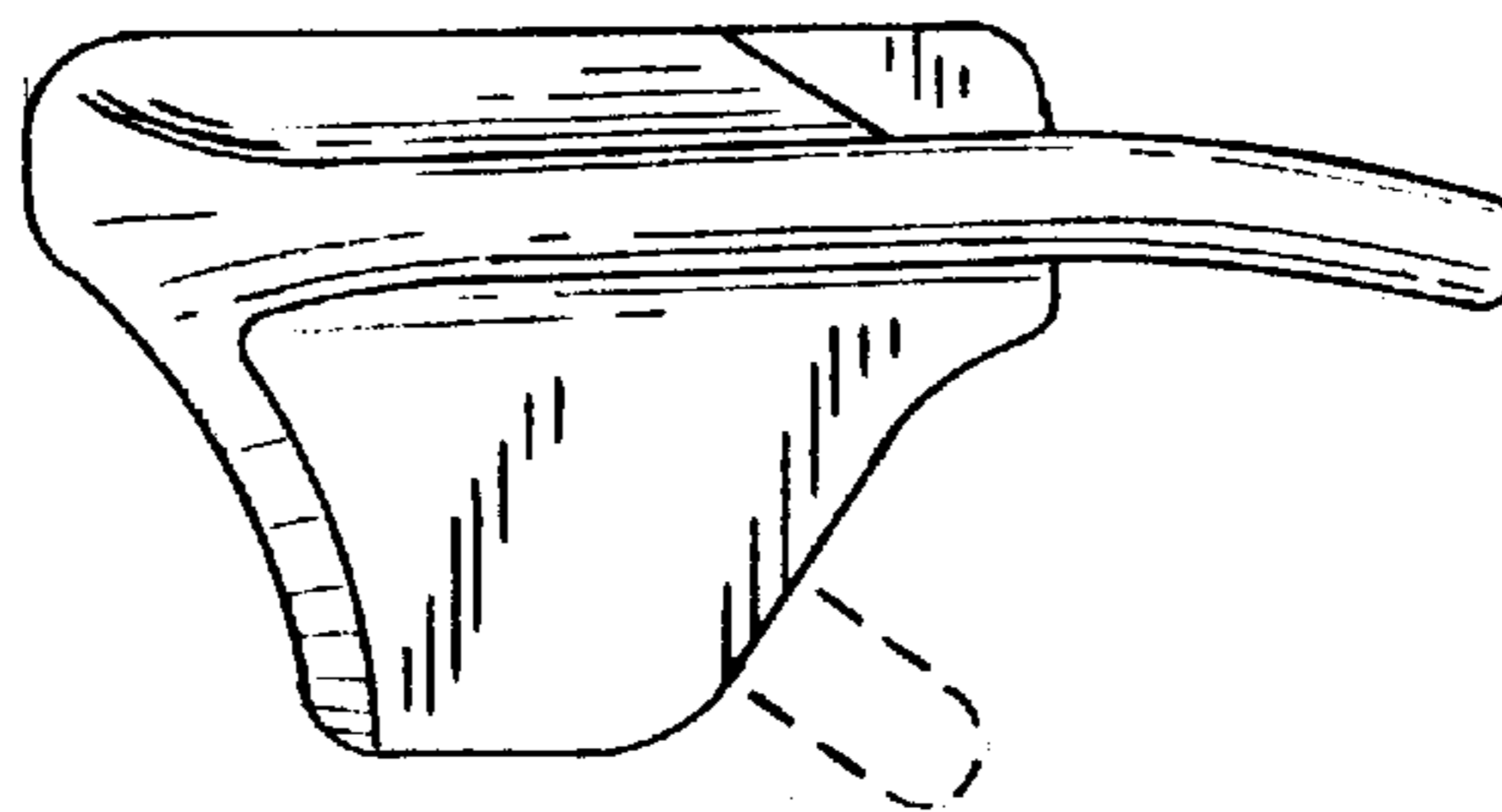


FIG. 7