



US00D415237S

**United States Patent** [19]  
**Dalland**

[11] **Patent Number: Des. 415,237**

[45] **Date of Patent: \*\* Oct. 12, 1999**

[54] **TENT**

[76] **Inventor: Todd Dalland, 110 Reade St., New York, N.Y. 10013**

[\*\*] **Term: 14 Years**

[21] **Appl. No.: 29/088,667**

[22] **Filed: May 29, 1998**

[51] **LOC (6) Cl. .... 21-04**

[52] **U.S. Cl. .... D21/837**

[58] **Field of Search .... D21/834-840;  
D25/16, 18, 21, 26; 135/90, 97, 99, 114-118,  
124, 125, 126, 157, 900, 901, 908**

[56] **References Cited**

**U.S. PATENT DOCUMENTS**

- D. 224,073 6/1972 Nohmura ..... D21/837
- D. 307,311 4/1990 Dalland ..... D21/837

- D. 316,441 4/1991 Dalland ..... D21/837
- D. 323,868 2/1992 Dalland ..... D21/837
- D. 326,494 5/1992 Dalland ..... D21/837
- D. 393,039 3/1998 Dalland ..... D21/837
- 1,839,076 12/1931 Adams ..... 135/157

*Primary Examiner*—Sandra L. Morris  
*Attorney, Agent, or Firm*—Fitzpatrick, Cella, Harper & Scinto

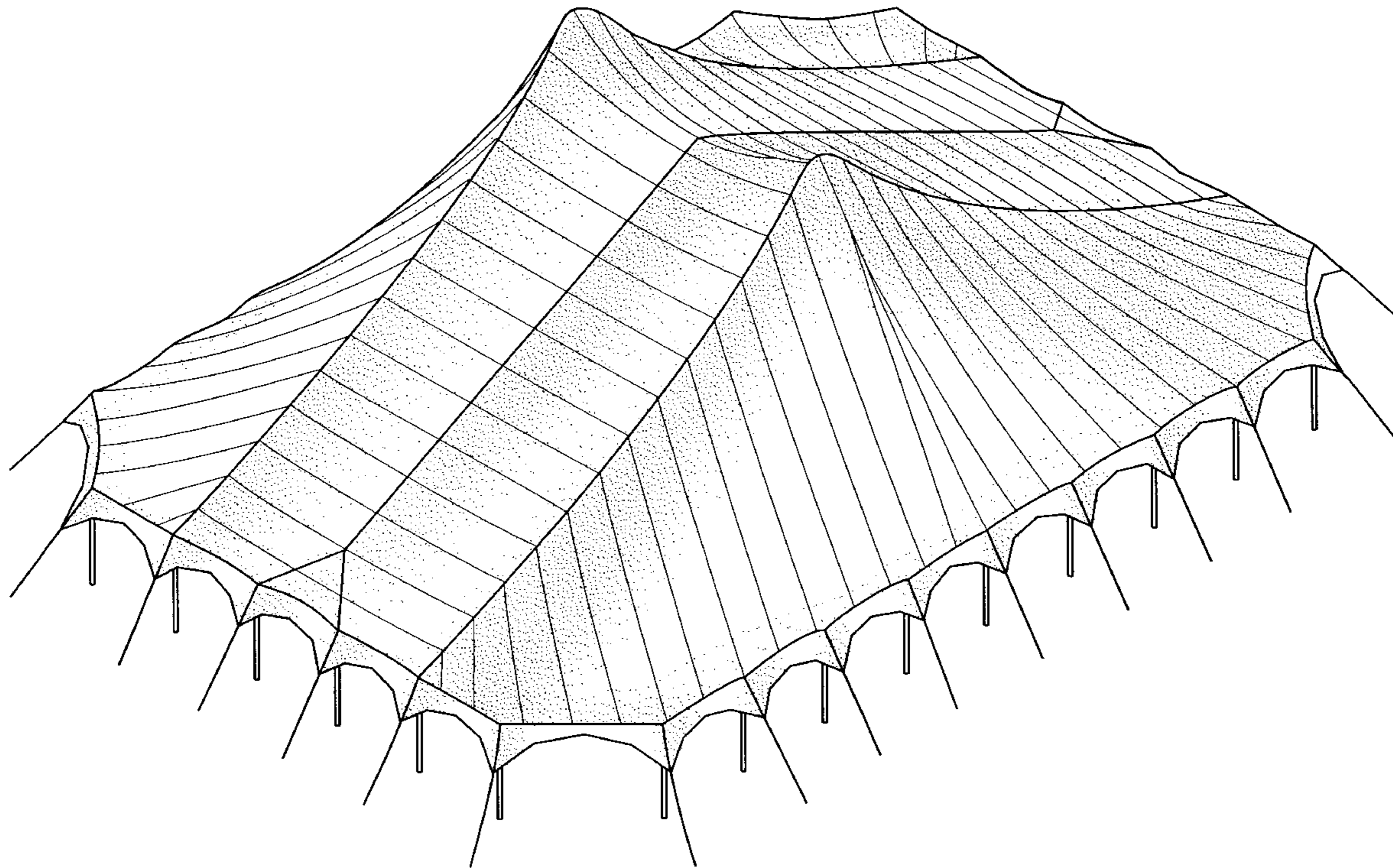
[57] **CLAIM**

The ornamental design for a tent, as shown and described.

**DESCRIPTION**

FIG. 1 is a perspective view of a tent showing my new design;  
FIG. 2 is a side elevational view thereof;  
FIG. 3 is an end elevational view thereof; and,  
FIG. 4 is a top plan view thereof.

**1 Claim, 3 Drawing Sheets**



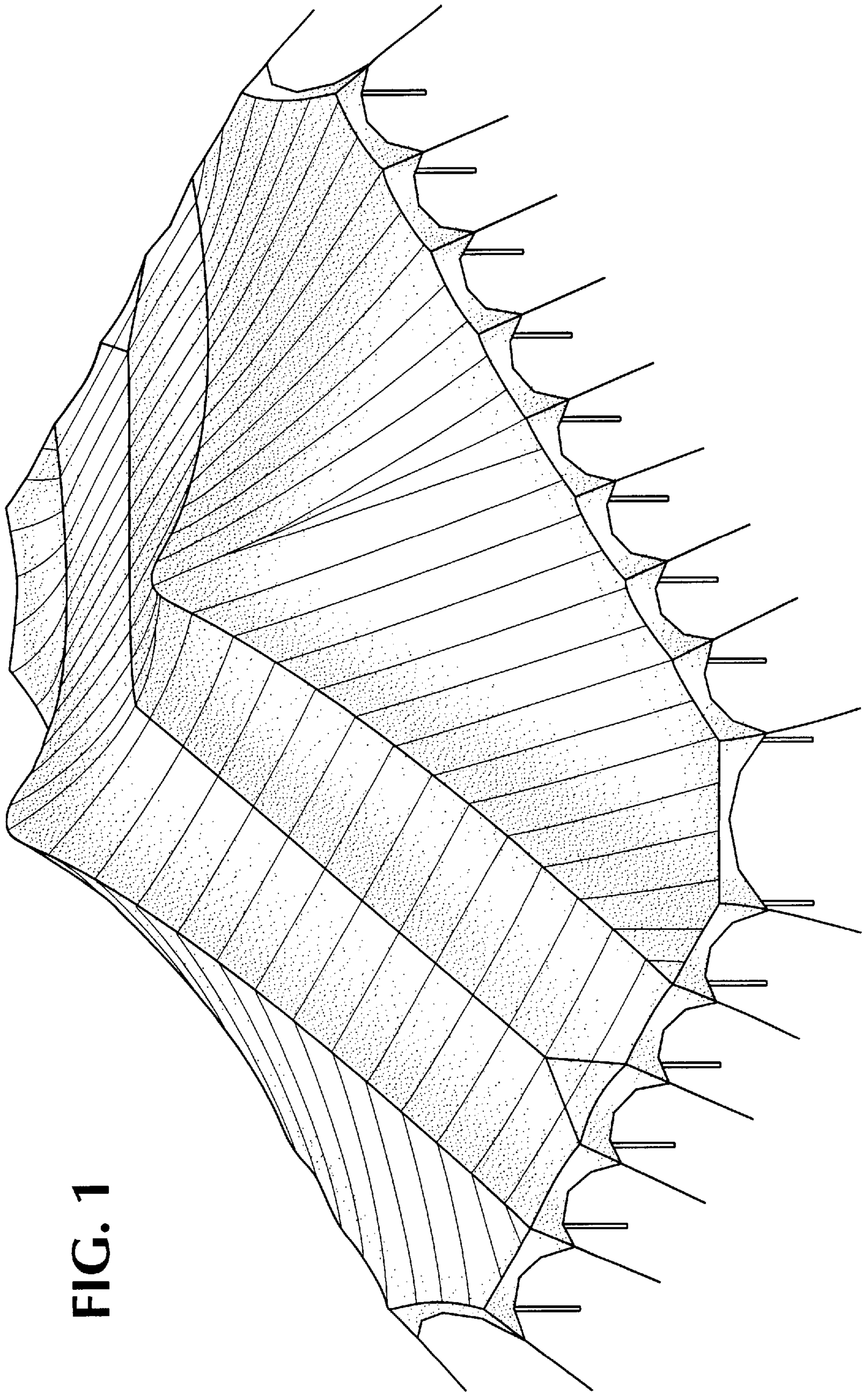


FIG. 1

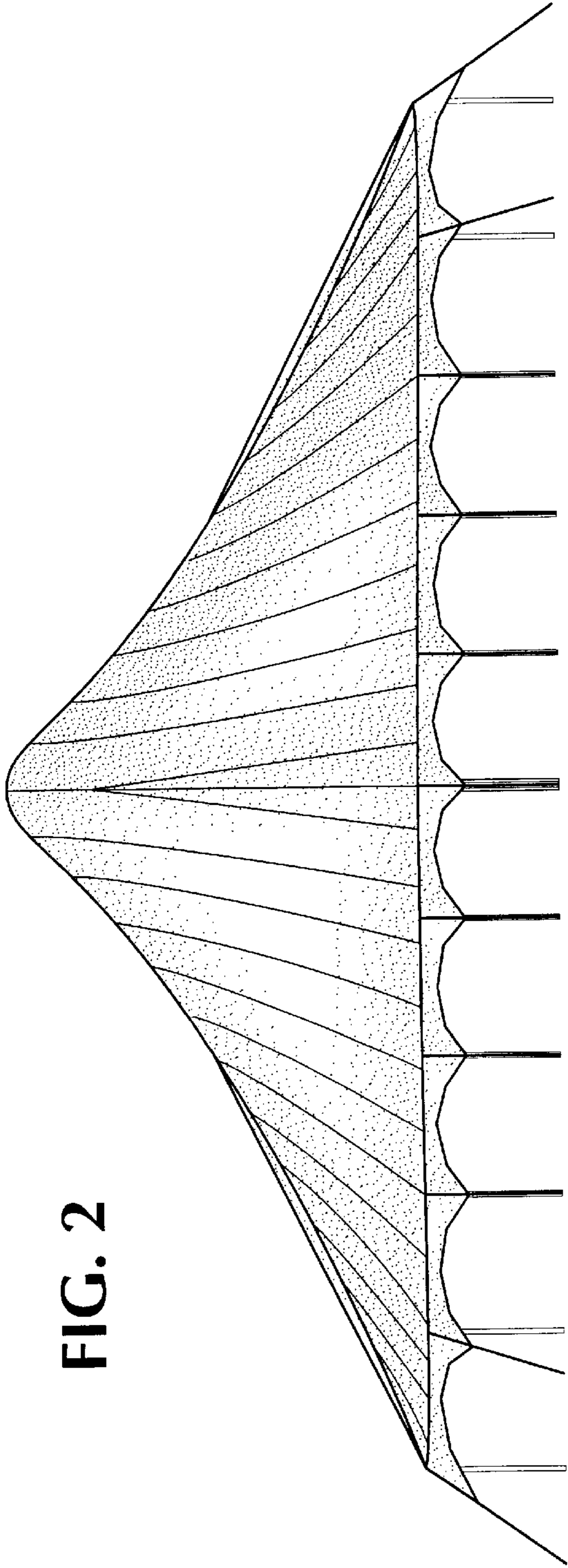


FIG. 2

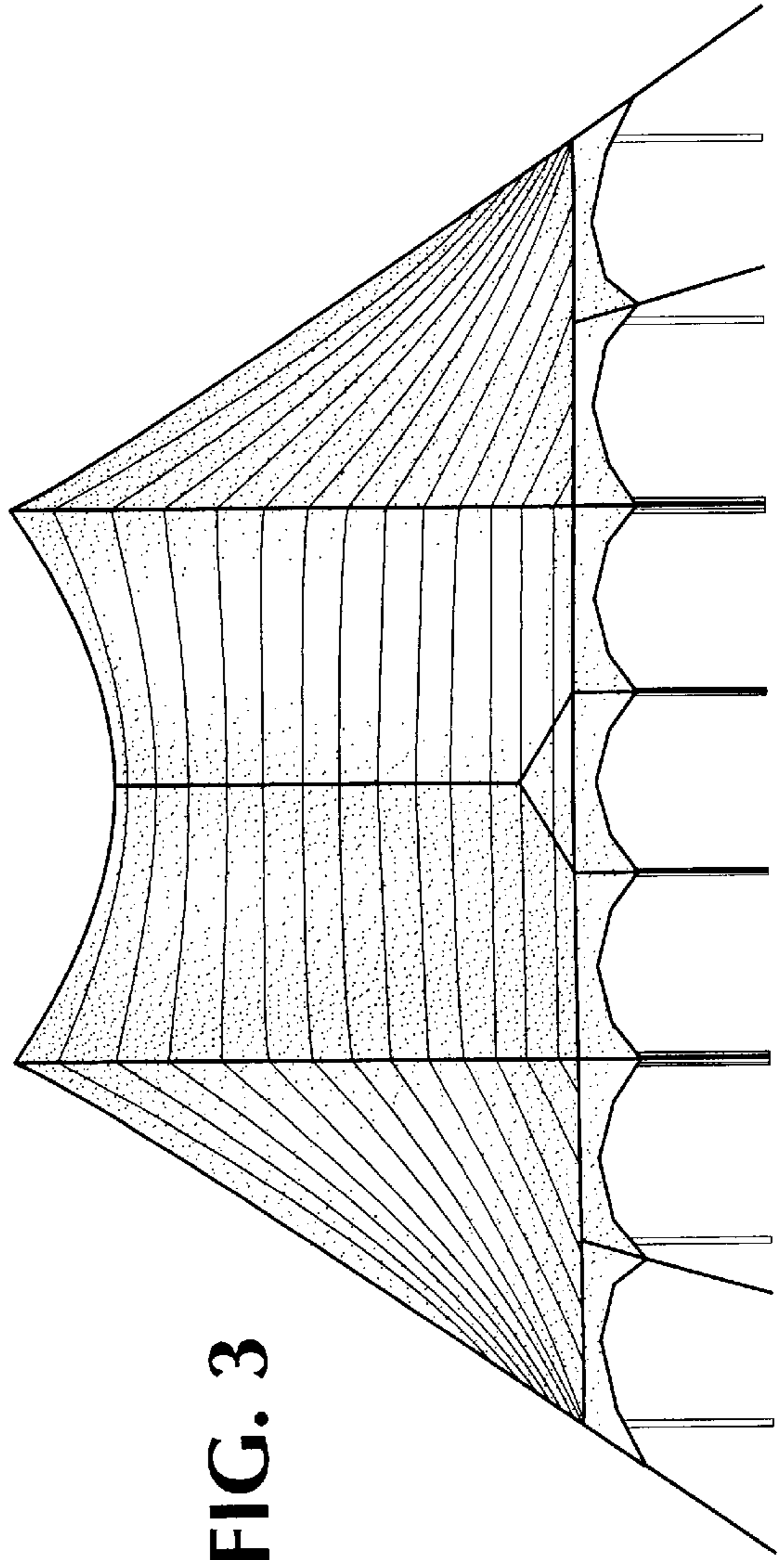


FIG. 3

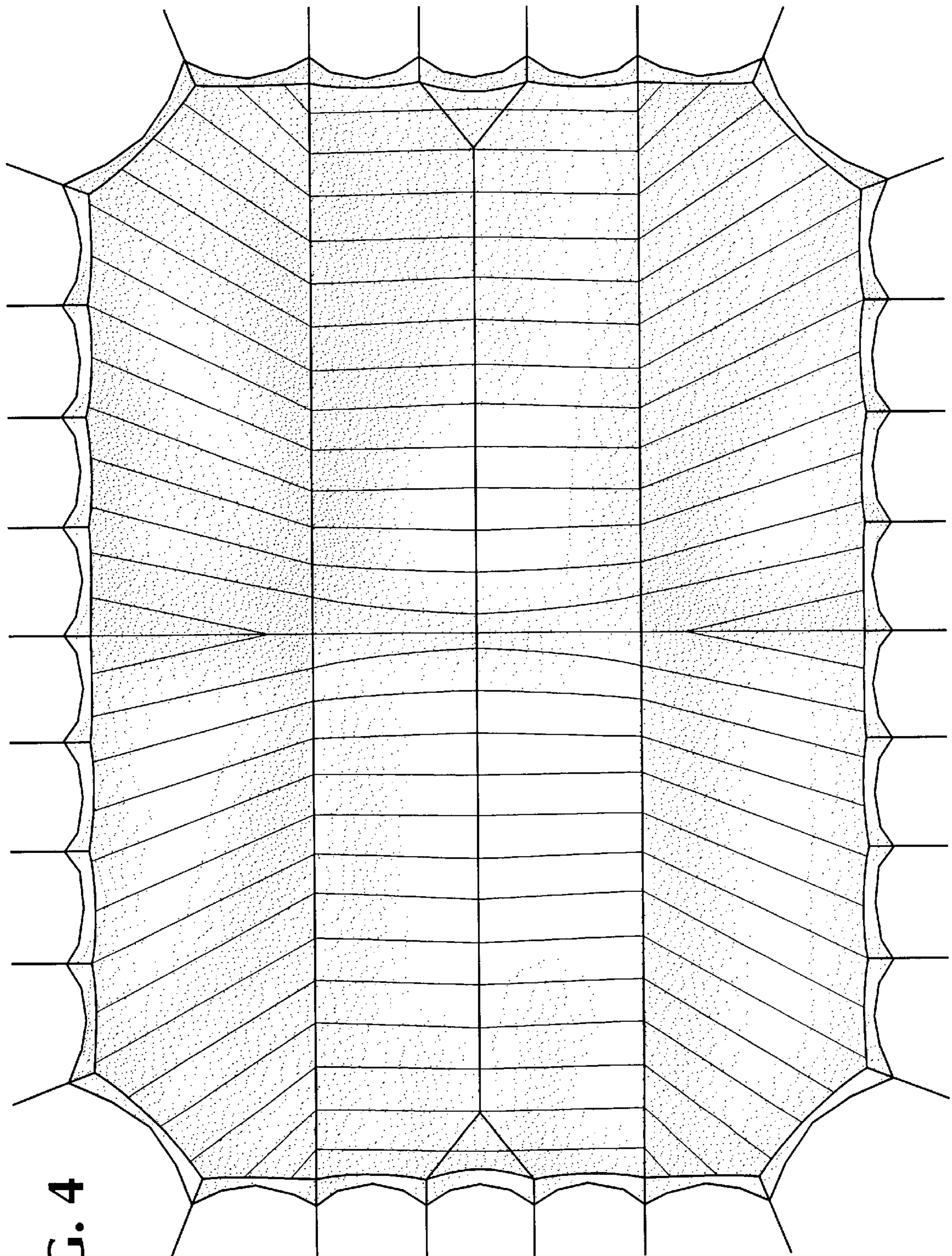


FIG. 4