



US00D415234S

United States Patent [19]

Feinbloom et al.

[11] Patent Number: Des. 415,234

[45] Date of Patent: ** Oct. 12, 1999

[54] HAT MOUNTED GOLF RANGE FINDER

[75] Inventors: **Richard E. Feinbloom; Gordon Randall Perry**, both of New York, N.Y.; **Alpar Erkan**, Fairfield, Conn.; **Jude Casis Tan**, South Ozone Park, N.Y.

[73] Assignee: **Designs For Vision, Inc.**, Ronkonkoma, N.Y.

[**] Term: **14 Years**

[21] Appl. No.: **29/084,404**

[22] Filed: **Mar. 3, 1998**

[51] LOC (6) Cl. **23-00**

[52] U.S. Cl. **D21/791; D2/891; D2/893**

[58] Field of Search D2/865, 866, 891, D2/876, 893; D29/100, 109; 2/177, 172, 181, 195.1, 209.3, 209.13; D21/12, 791; 359/410, 408; 473/209, 210; 33/262

[56] **References Cited**

U.S. PATENT DOCUMENTS

- D. 238,831 2/1976 Helfand D29/109
- D. 277,995 3/1985 Hand, Jr. D2/876
- D. 359,334 6/1995 Taylor D21/791

- 2,433,590 12/1947 Barr 2/12
- 2,598,145 5/1952 Steadman, Jr. 2/12 X
- 2,717,385 9/1955 Linster D21/791
- 4,762,325 8/1988 McCleery 2/12 X
- 5,052,114 10/1991 Levenson et al. 33/262
- 5,181,139 1/1993 Benitez 359/408

Primary Examiner—Paula A. Mortimer
Attorney, Agent, or Firm—Arthur L. Plevy

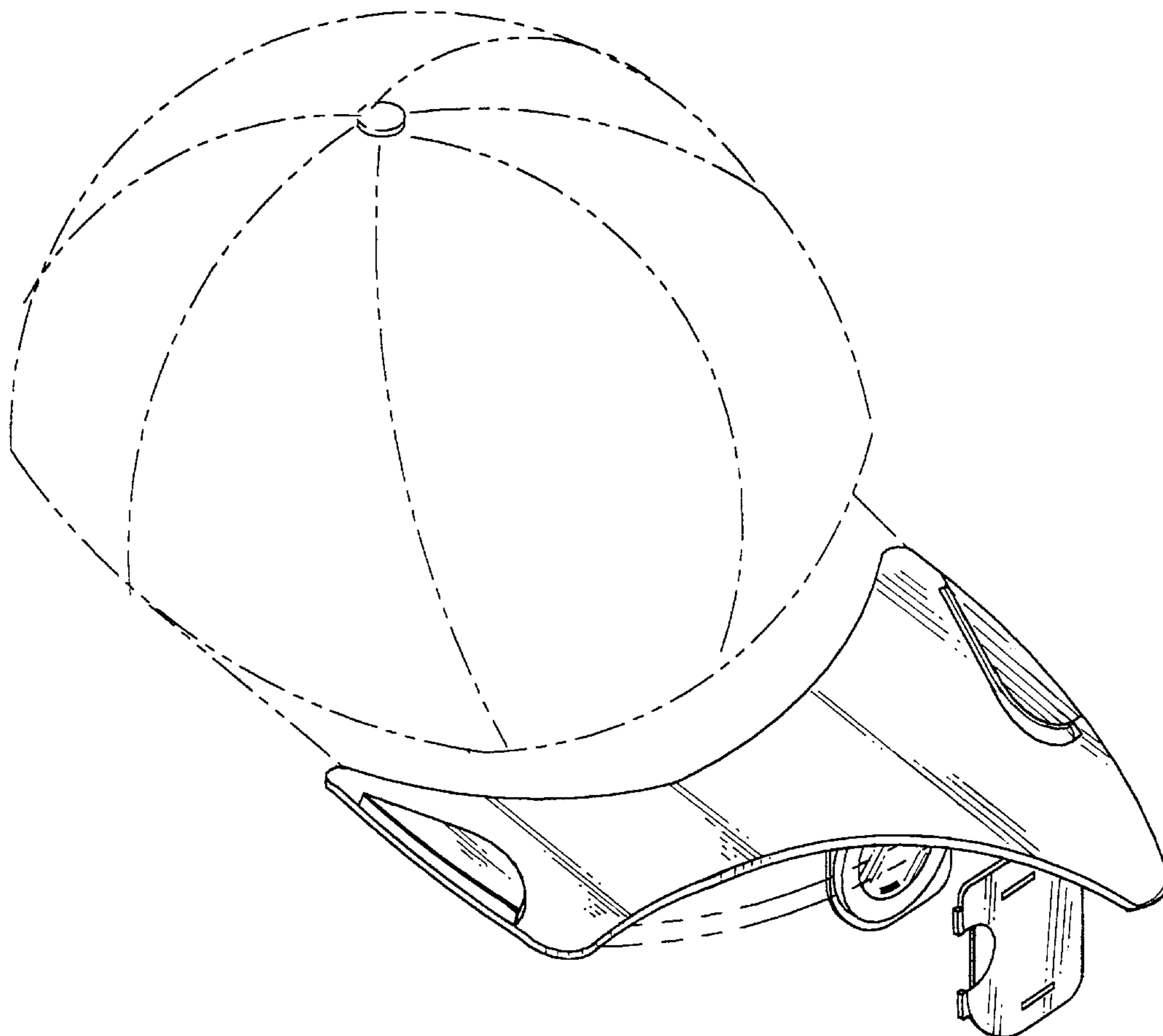
[57] **CLAIM**

The ornamental design for a hat mounted golf range finder, as shown and described.

DESCRIPTION

FIG. 1 is a front perspective view of a hat mounted golf range finder showing our new design; FIG. 2 is a front perspective view thereof, the visor is drawn broken away for clarity of illustration; FIG. 3 is a front elevational view in an alternate position; FIG. 4 is a rear elevational view thereof; FIG. 5 is a right side elevational view thereof; FIG. 6 is a left side elevational view thereof; FIG. 7 is a top plan view thereof; and, FIG. 8 is a bottom plan view thereof. The broken line showing of the hat is for illustrative purposes only and forms no part of the claimed design.

1 Claim, 6 Drawing Sheets



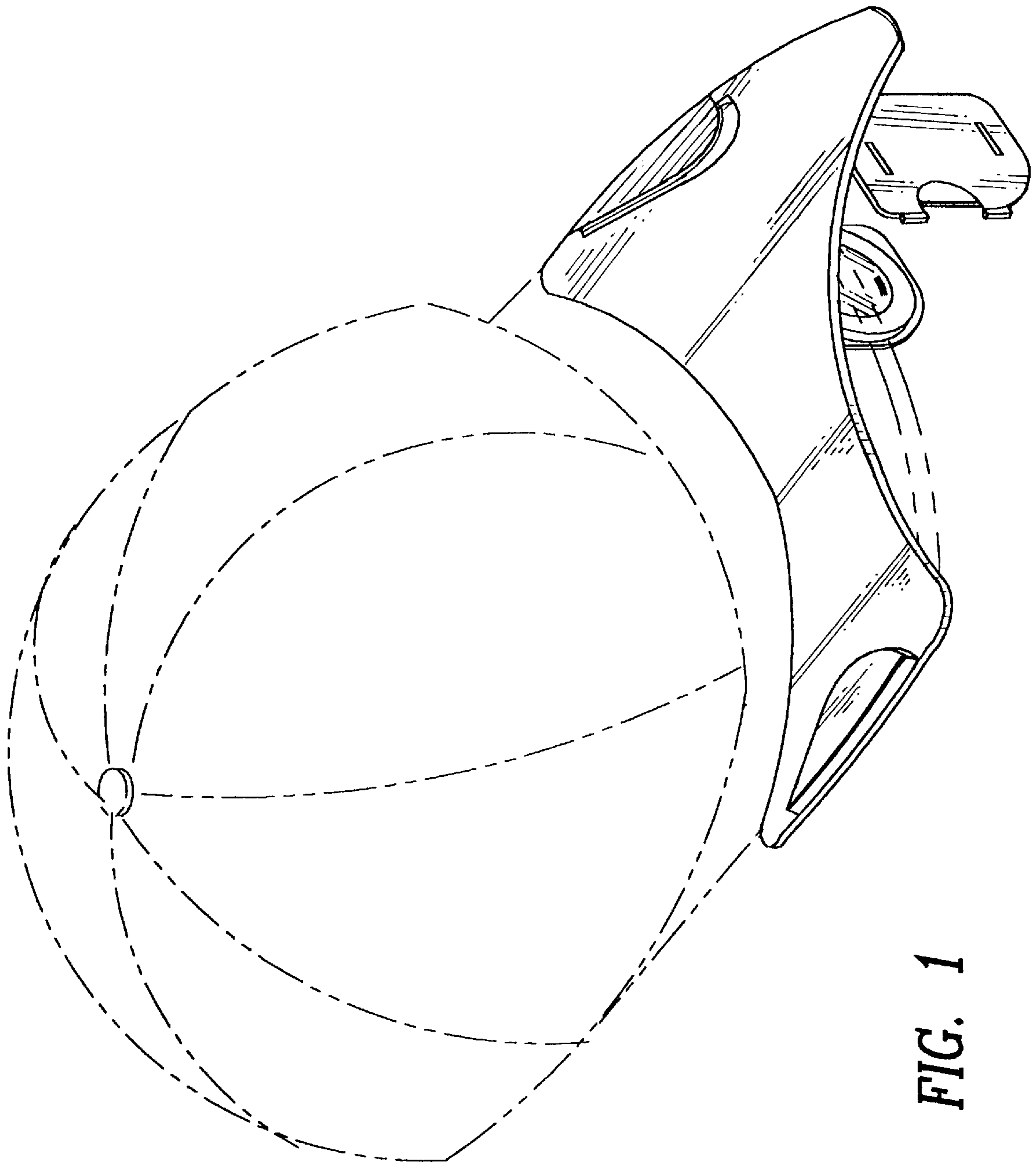


FIG. 1

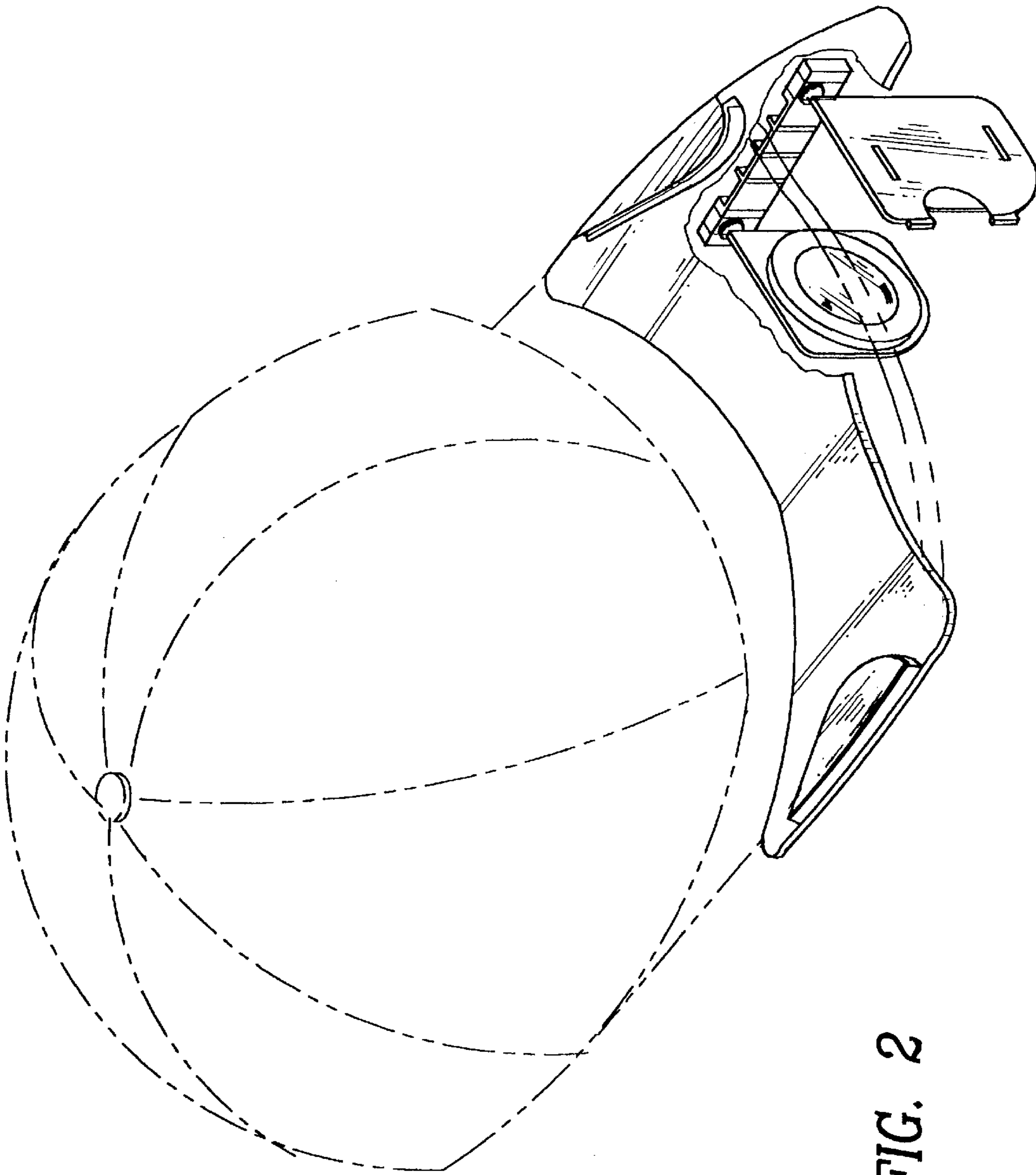


FIG. 2

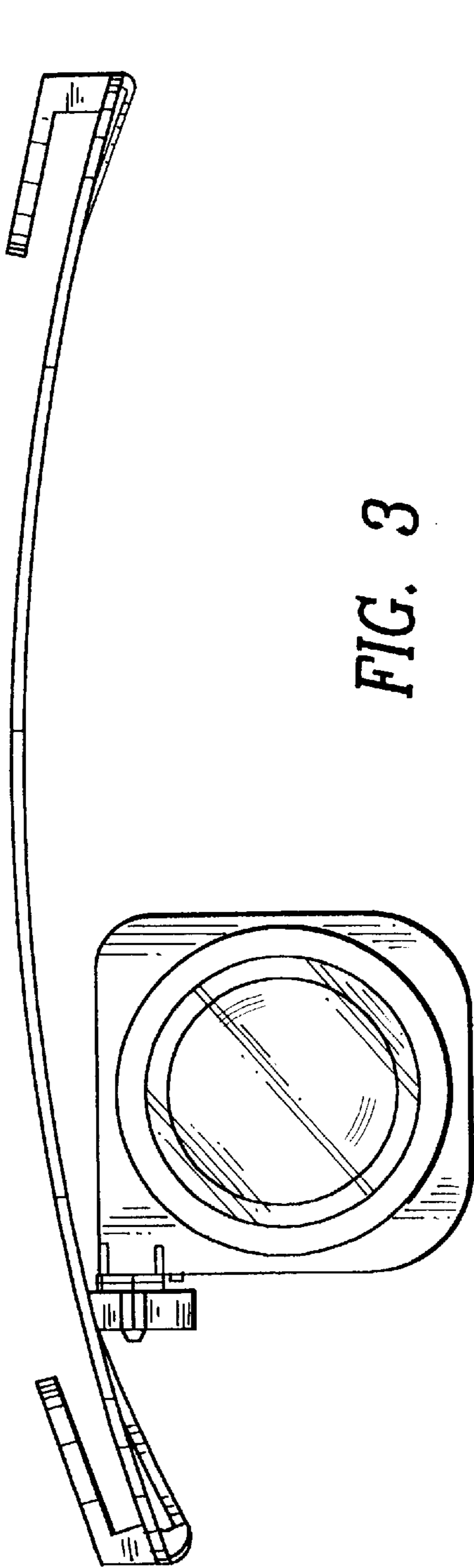


FIG. 3

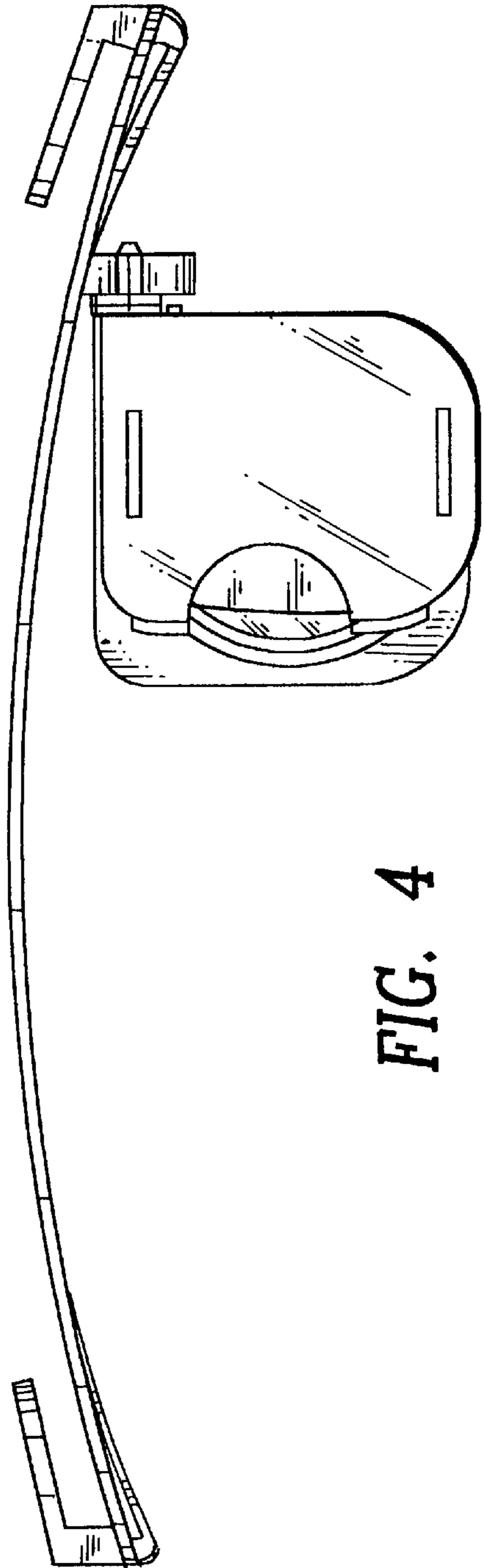


FIG. 4

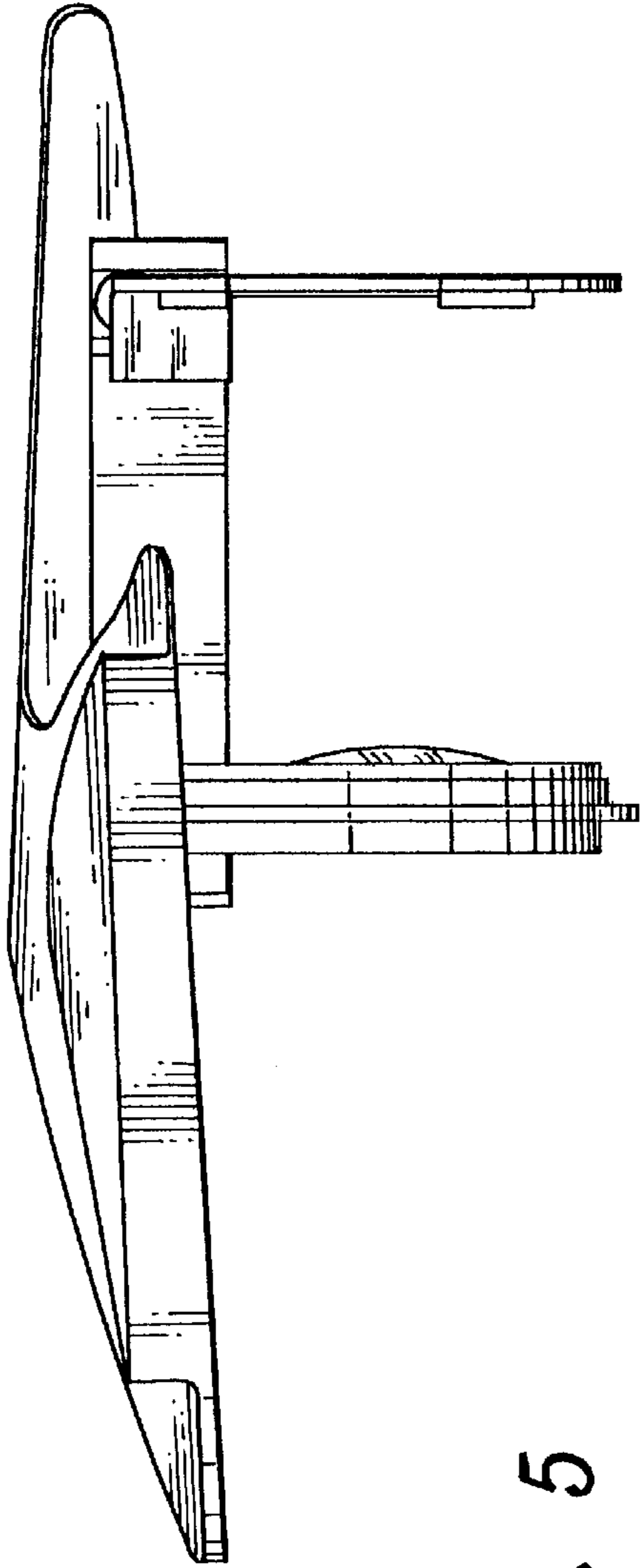


FIG. 5

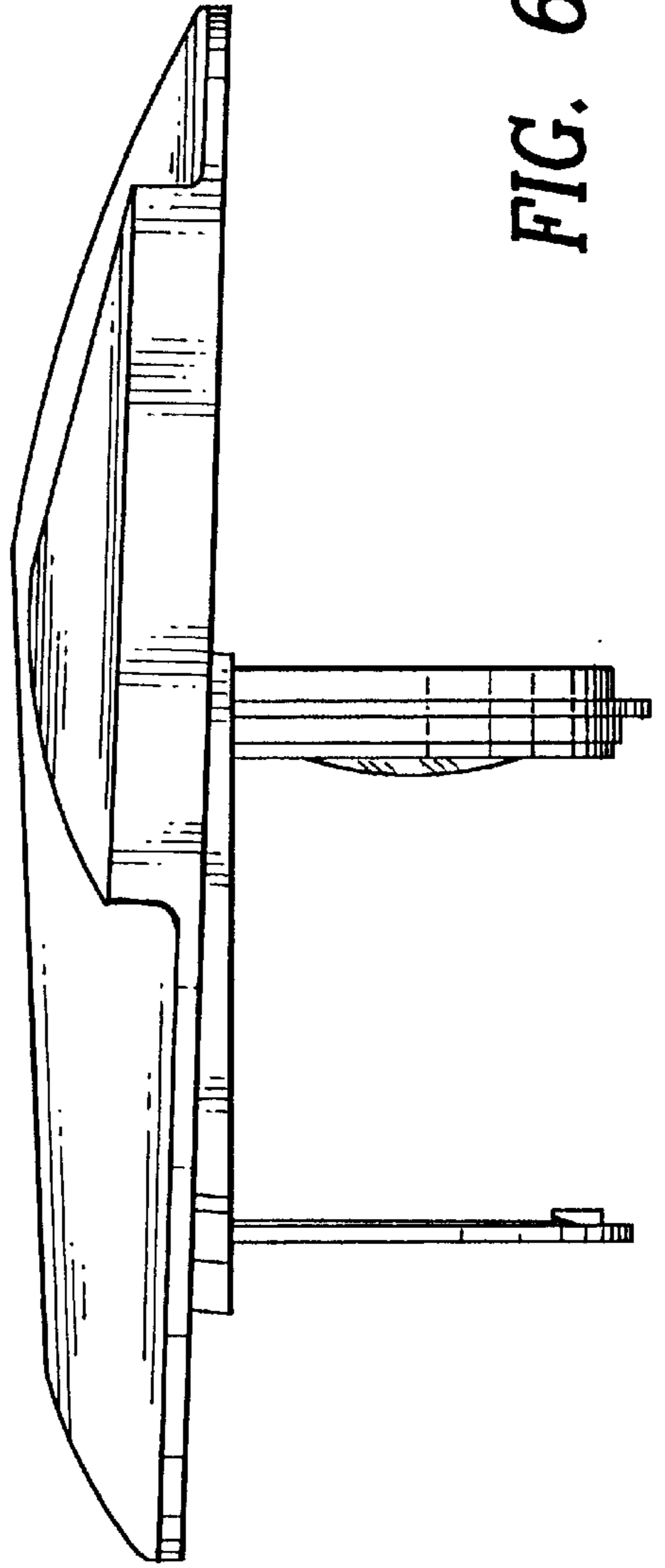


FIG. 6

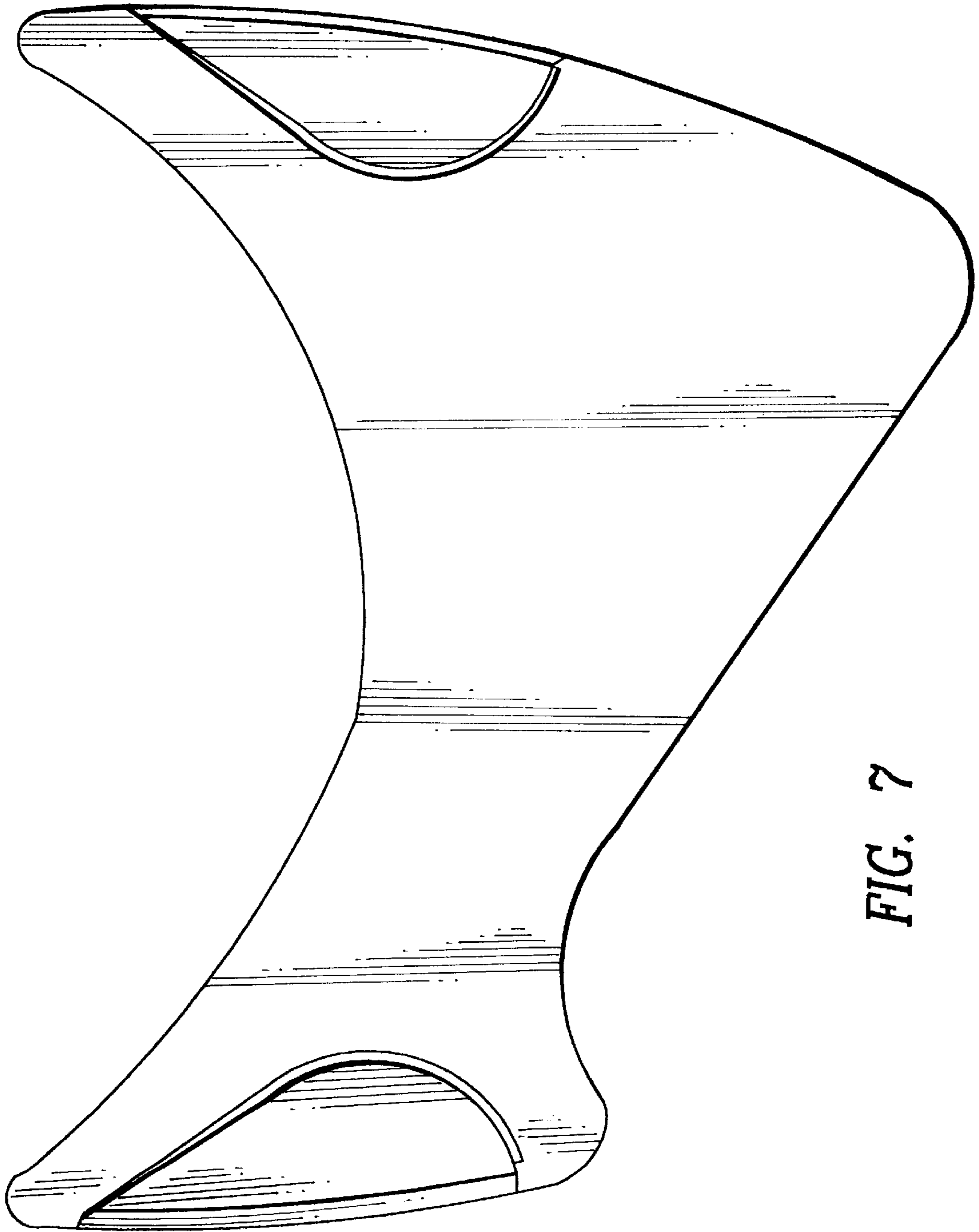


FIG. 7

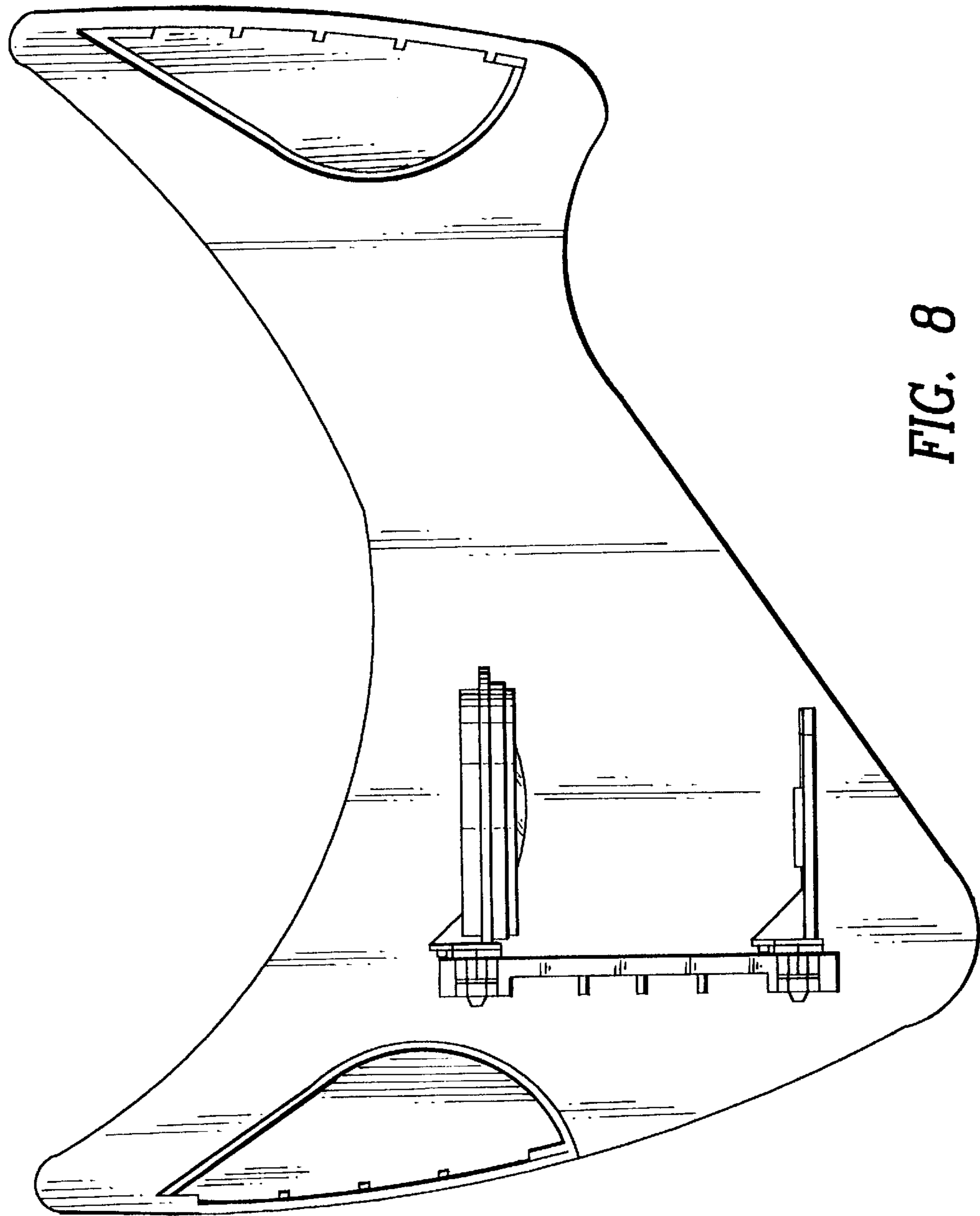


FIG. 8