



US00D415233S

United States Patent [19]

Bernatz

[11] **Patent Number: Des. 415,233**

[45] **Date of Patent: ** Oct. 12, 1999**

[54] **GOLF BALL COLLECTOR**

Attorney, Agent, or Firm—Willie Krawitz

[76] Inventor: **Thomas H. Bernatz**, 2914 E. Katella Ave., Orange, Calif. 92667

[57] **CLAIM**

[**] Term: **14 Years**

The ornamental design for a golf ball collector, as shown and described.

[21] Appl. No.: **29/092,992**

DESCRIPTION

[22] Filed: **Aug. 31, 1998**

[51] **LOC (6) Cl. 21-02**

[52] **U.S. Cl. D21/789**

[58] **Field of Search D21/798, 759; 294/19.2**

FIG. 1 is a front perspective view of a golf ball collector, showing my design;

FIG. 2 is a right side elevation view thereof;

FIG. 3 is a rear elevation view thereof;

FIG. 4 is a top plan view thereof;

FIG. 5 is a front elevation view thereof; and,

FIG. 6 is a bottom plan view thereof.

The broken line showing of golf balls is for illustrative purposes only and forms no part of the claimed design.

[56] **References Cited**

U.S. PATENT DOCUMENTS

5,482,338	1/1996	Hall	294/19.2
5,662,366	9/1997	Fraske	294/19.2
5,823,591	10/1998	Rubinstein	294/19.2

OTHER PUBLICATIONS

Golf Day; p. 29; "Fisherman's Retriever", middle left of page, Nov. 1996.

Primary Examiner—Mitchell I Siegel

1 Claim, 2 Drawing Sheets

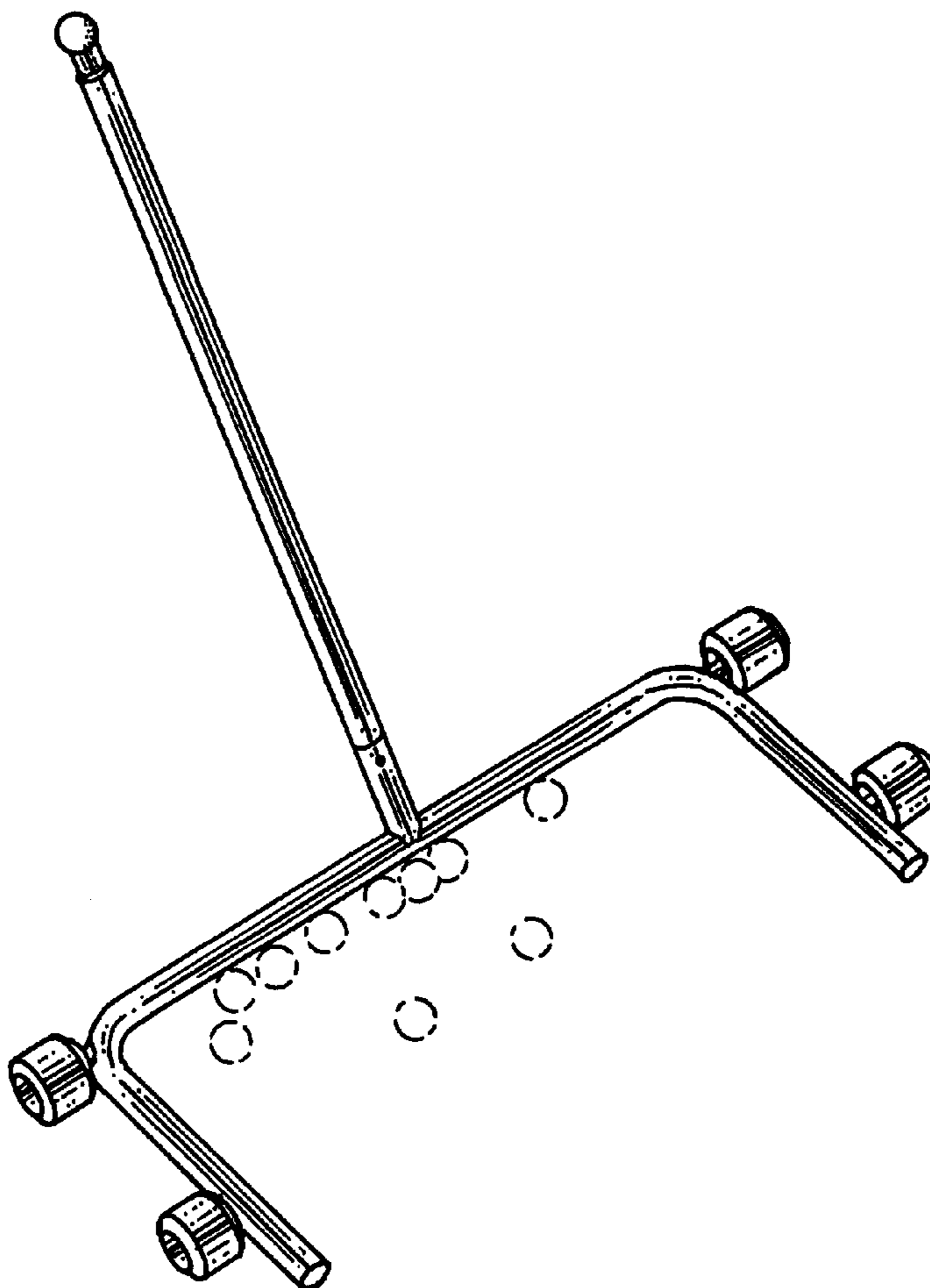


FIG. 1

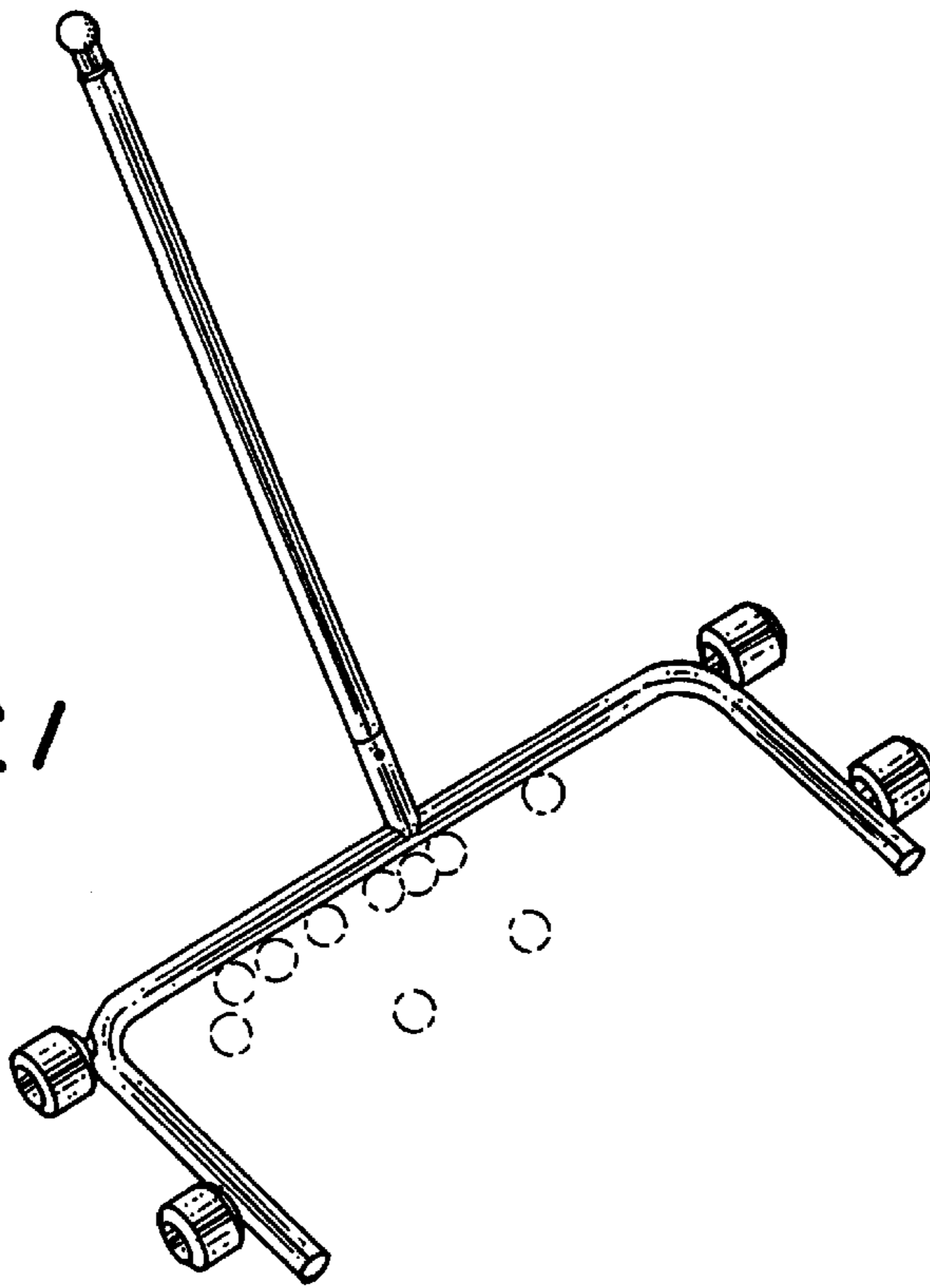


FIG. 2



FIG. 3

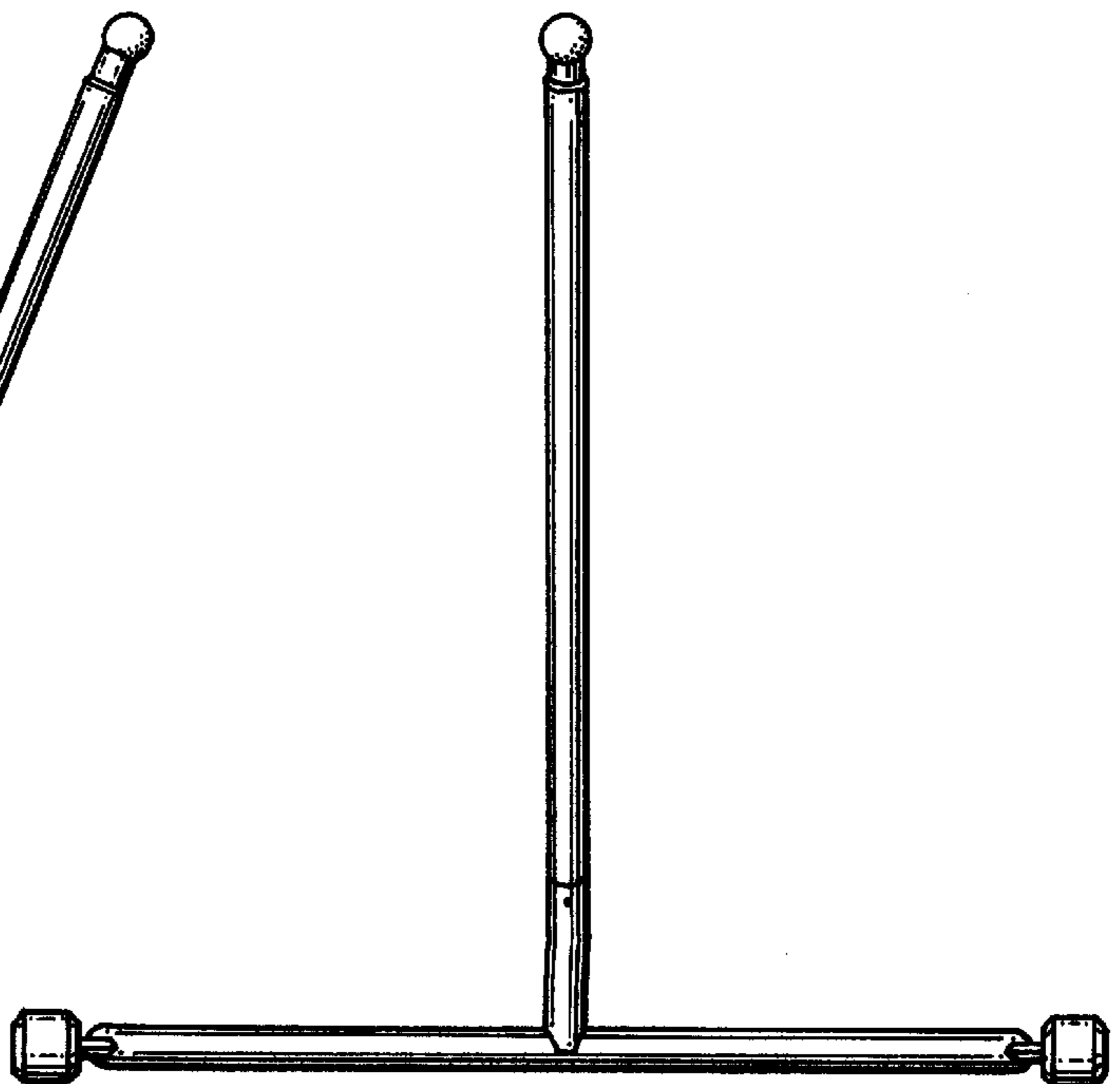


FIG. 4

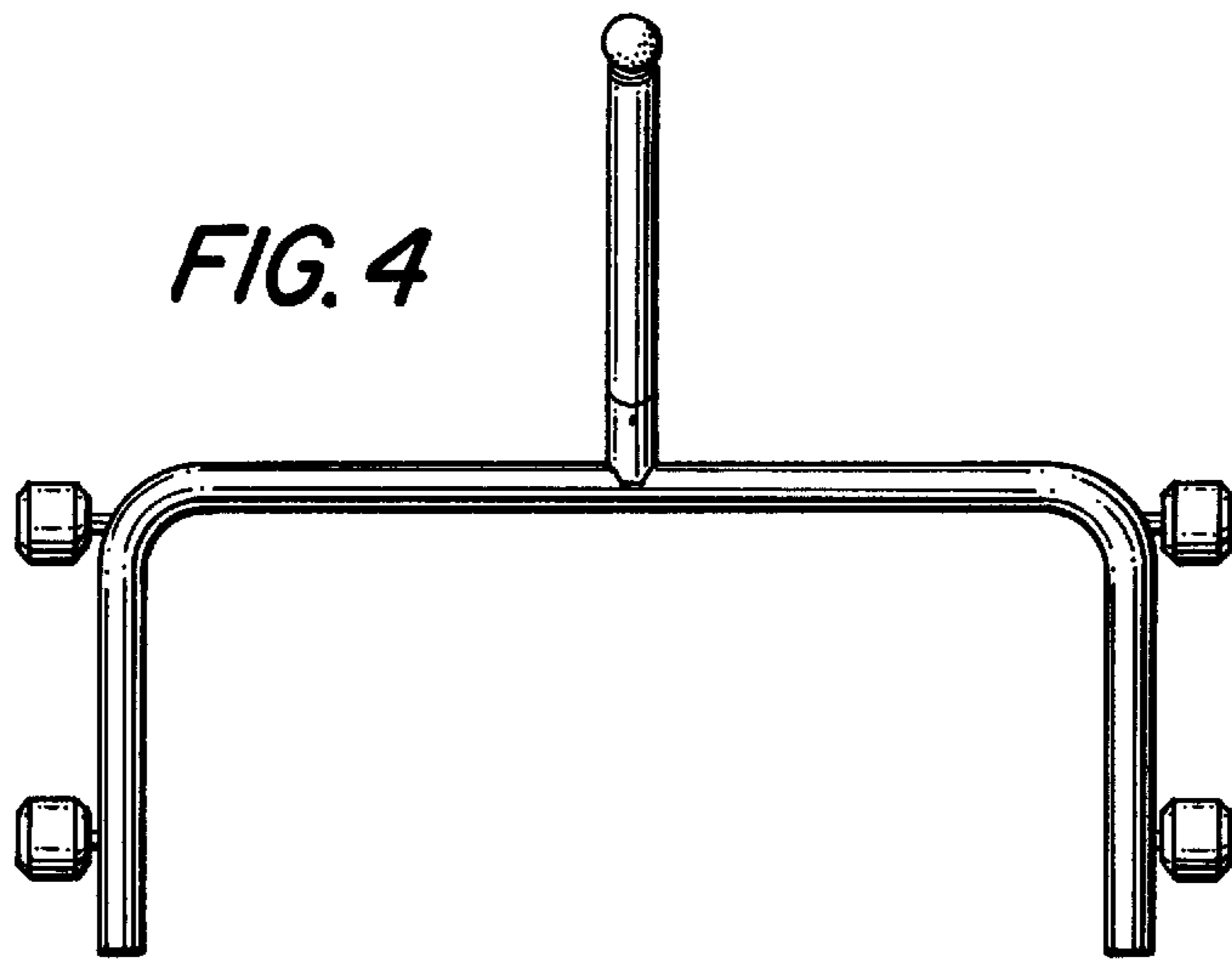


FIG. 5

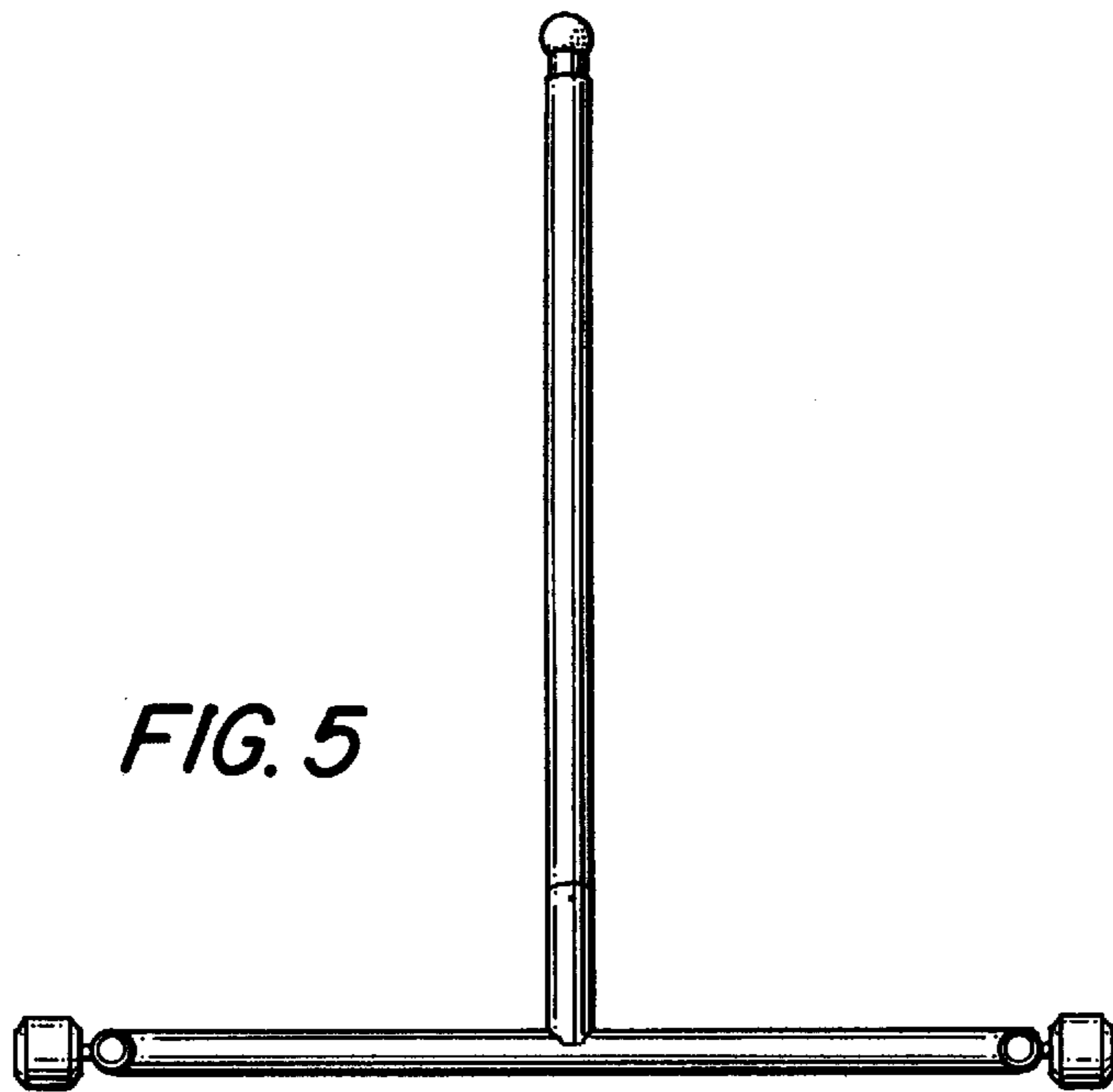


FIG. 6

