



US00D415230S

United States Patent [19]

Stone et al.

[11] Patent Number: **Des. 415,230**

[45] Date of Patent: **** Oct. 12, 1999**

[54] **IRON-TYPE GOLF CLUB HEAD**

[75] Inventors: **Daniel J. Stone**, Long Beach; **Lionel Poincenot**, Vista; **David M. Bennett**, Tustin; **Kevin W. Harris**, Chino Hills; **John A. Creel**, Newport Beach, all of Calif.

[73] Assignee: **Roger Cleveland Golf Company, Inc.**, Cypress, Calif.

[**] Term: **14 Years**

[21] Appl. No.: **29/080,147**

[22] Filed: **Dec. 1, 1997**

[51] **LOC (6) Cl.** **21-02**

[52] **U.S. Cl.** **D21/748**

[58] **Field of Search** D21/746-751;
473/324, 327, 328, 350

[56] **References Cited**

U.S. PATENT DOCUMENTS

D. 306,195	2/1990	MacNally et al.	D21/748
D. 318,703	7/1991	Shearer	D21/748
D. 322,114	12/1991	Antonious	D21/748
D. 325,415	4/1992	Antonious	D21/748

D. 328,936	8/1992	Antonious	D21/748
D. 329,266	9/1992	Antonious	D21/749
D. 336,672	6/1993	Gorman	D21/749
D. 339,183	9/1993	Stites, III	D21/748
D. 361,813	8/1995	Guibaud et al.	D21/748
D. 362,481	9/1995	Takahashi et al.	D21/749
D. 368,945	4/1996	Iinuma et al.	D21/748
D. 377,380	1/1997	Antonious	D21/748
D. 399,548	10/1998	Stone et al.	D21/748

Primary Examiner—Mitchell Siegel
Attorney, Agent, or Firm—Parkhurst & Wendel, L.L.P.

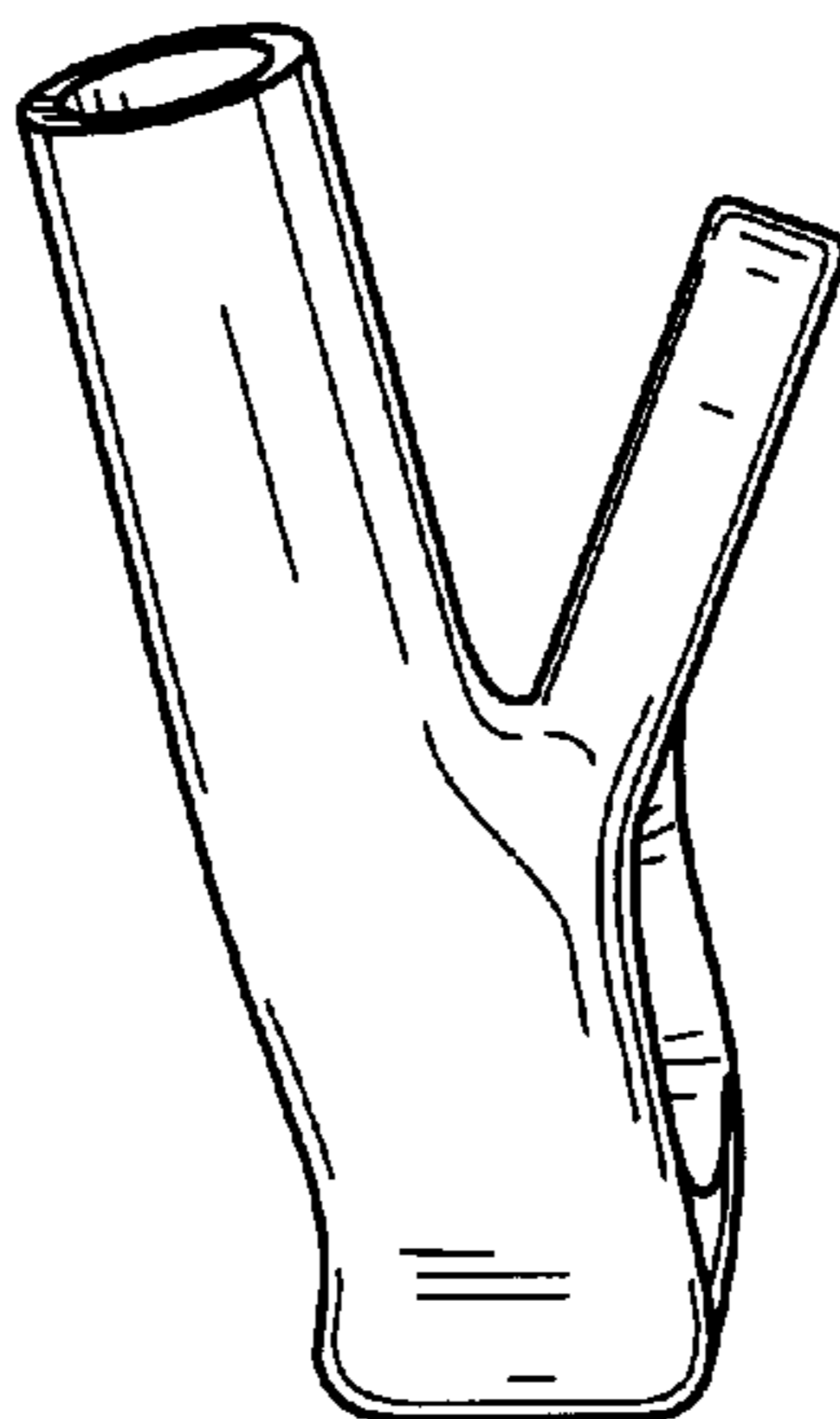
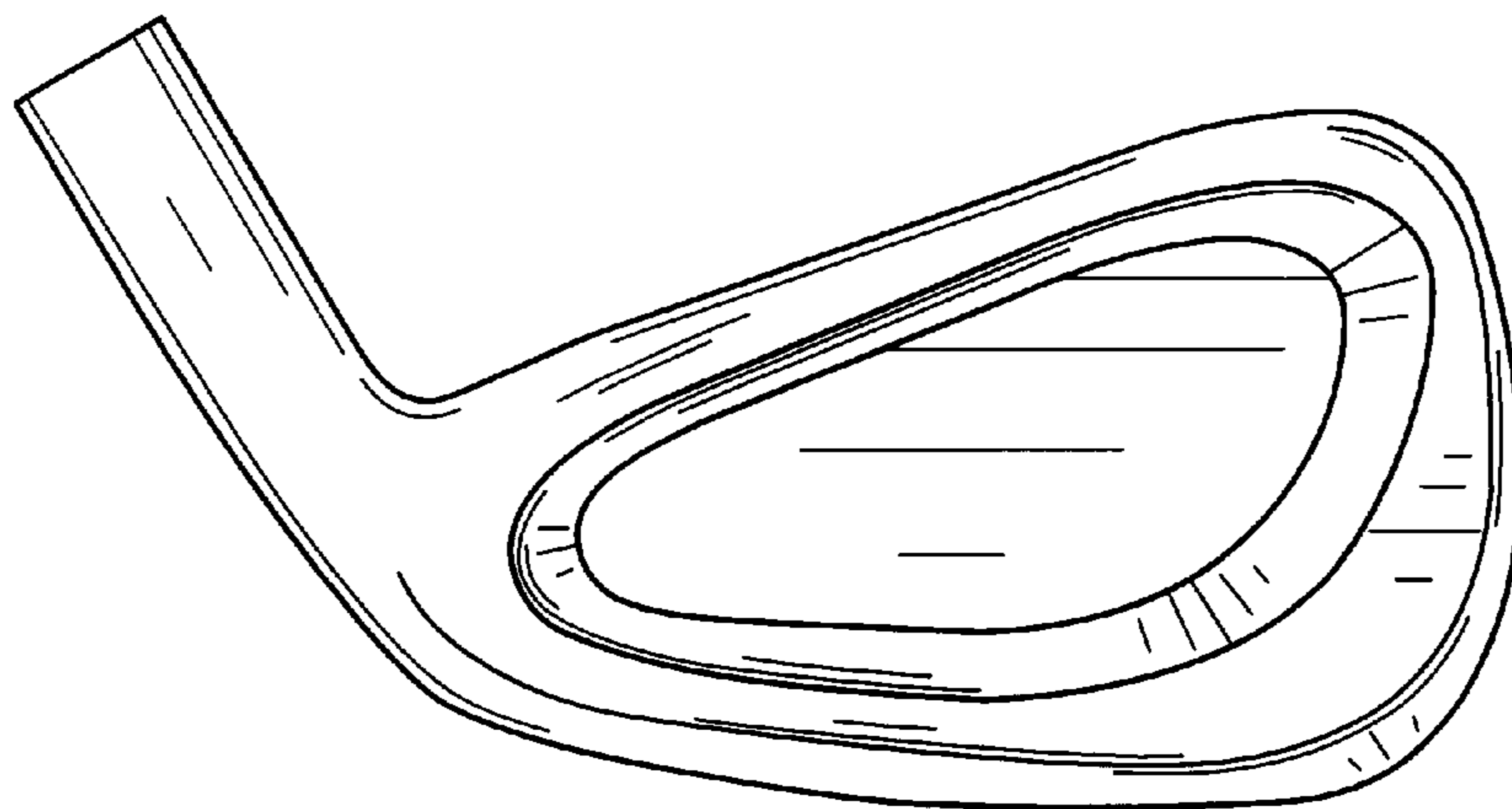
[57] **CLAIM**

The ornamental design for a iron-type golf club head, as shown and described.

DESCRIPTION

FIG. 1 is a perspective view of a golf club head showing our new design;
FIG. 2 is a rear view thereof;
FIG. 3 is a front or face view thereof;
FIG. 4 is a bottom view thereof;
FIG. 5 is a top view thereof;
FIG. 6 is a right view thereof from the heel end; and,
FIG. 7 is a left view thereof from the toe end.

1 Claim, 2 Drawing Sheets



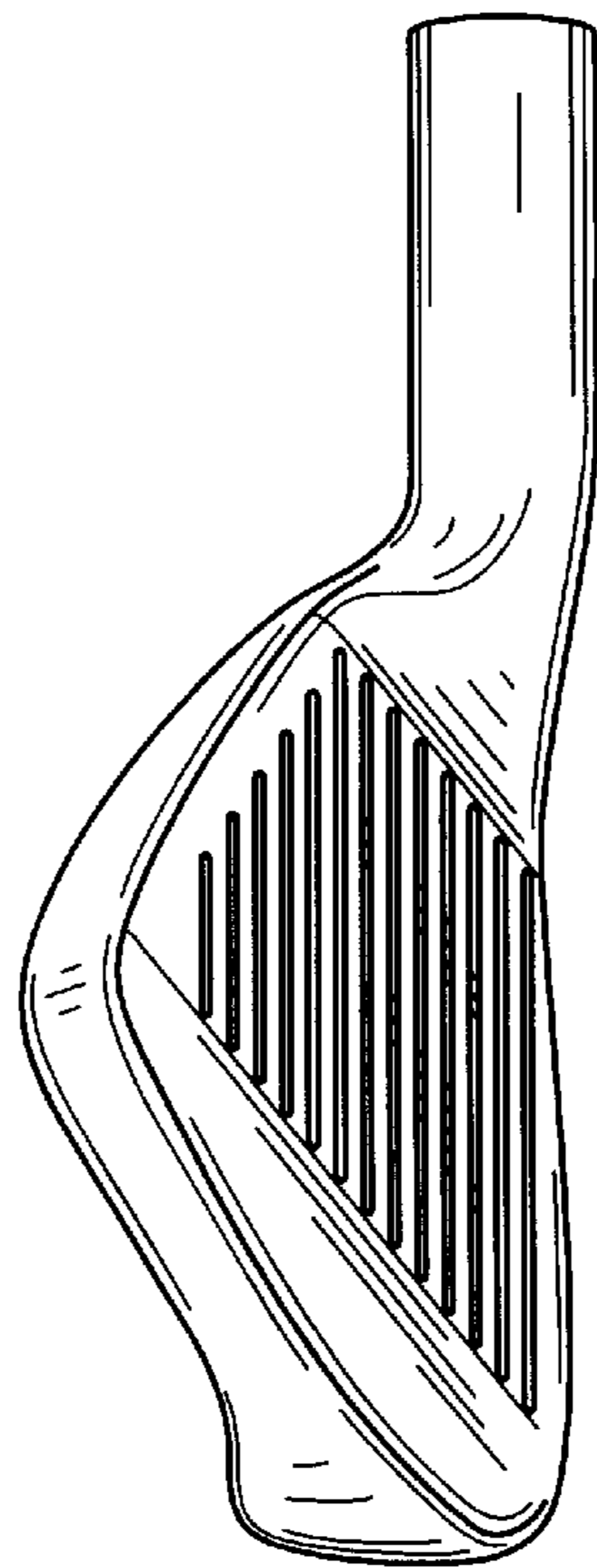


FIG. 1

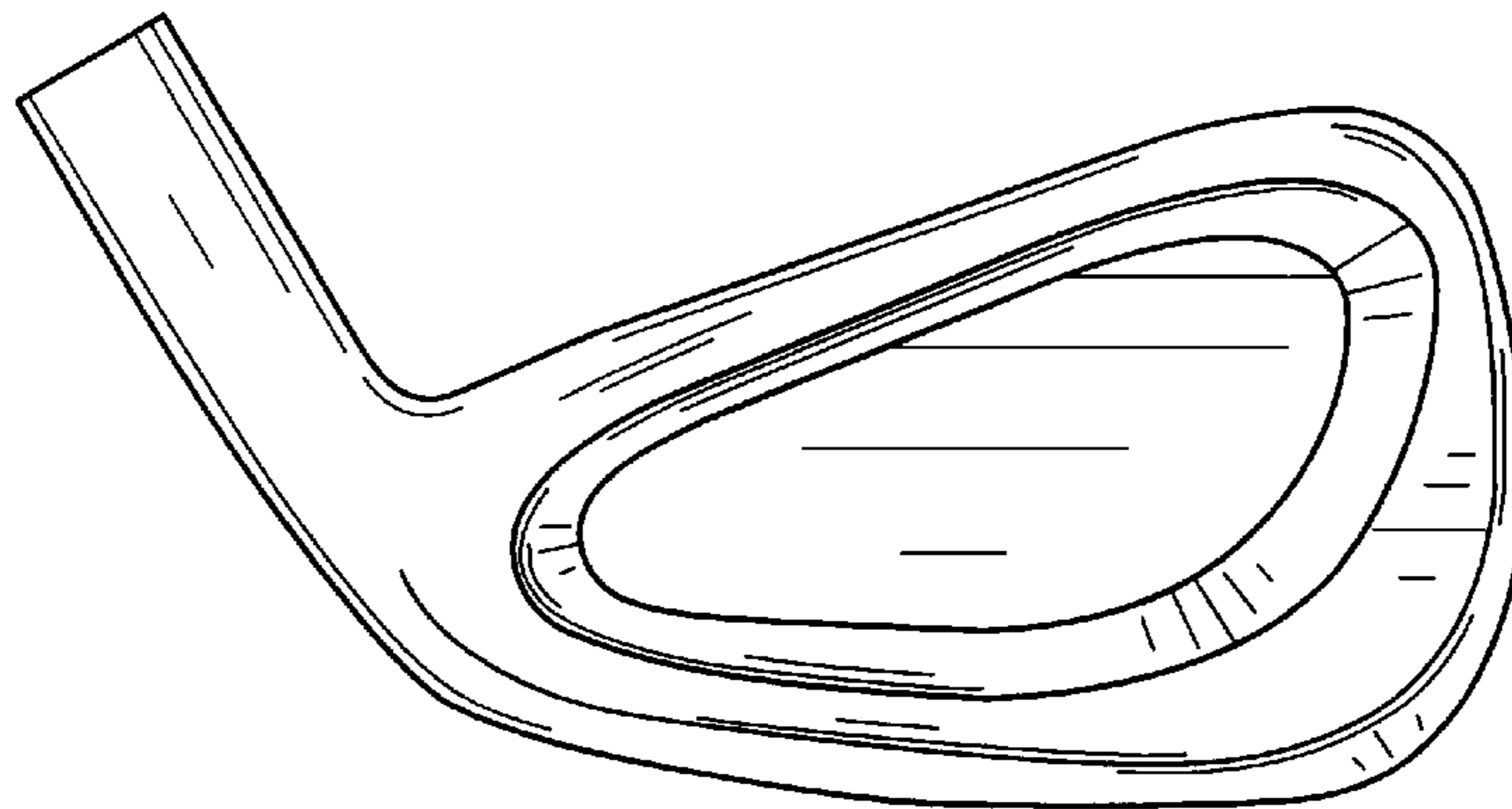


FIG. 2

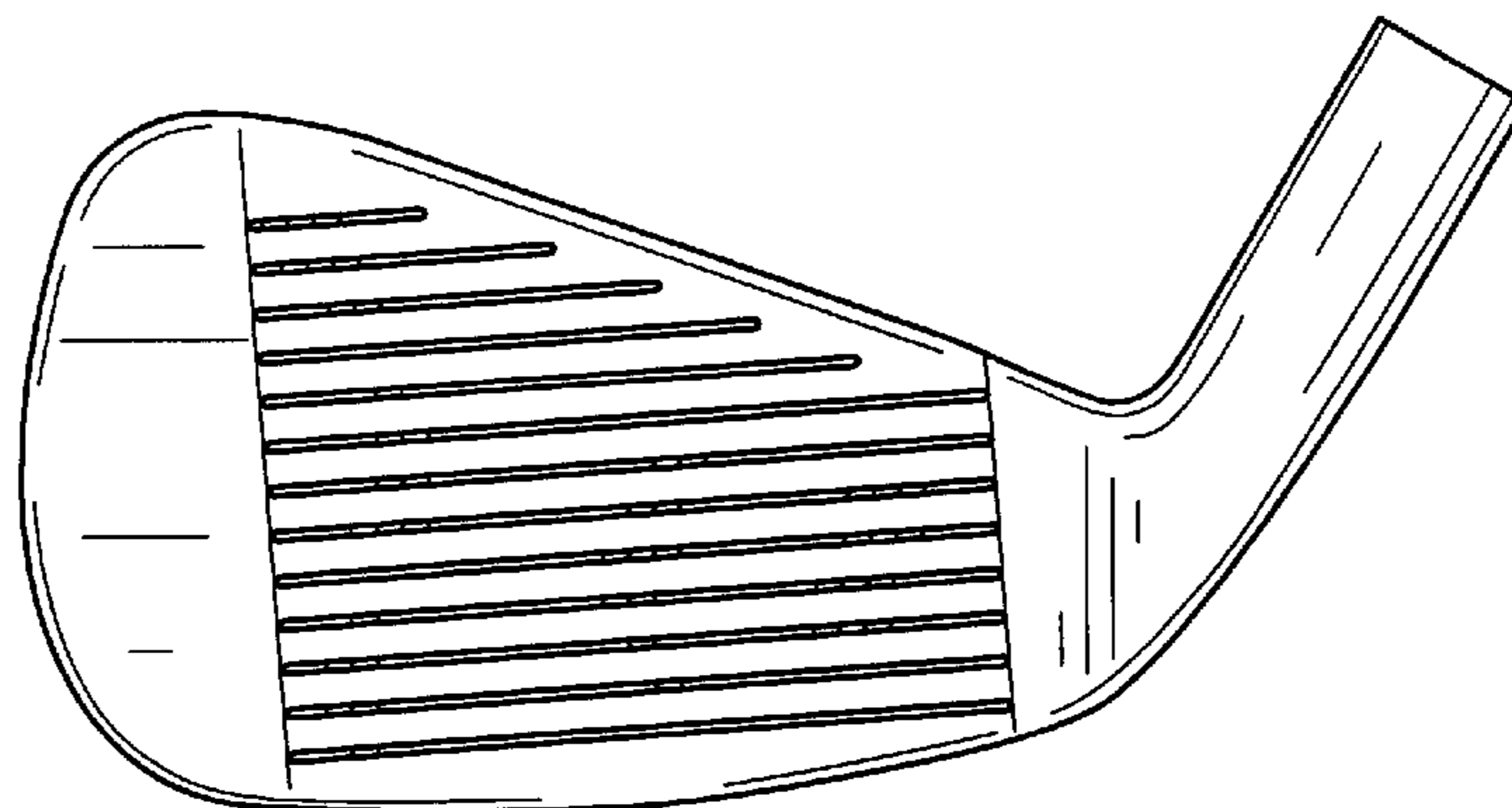


FIG. 3

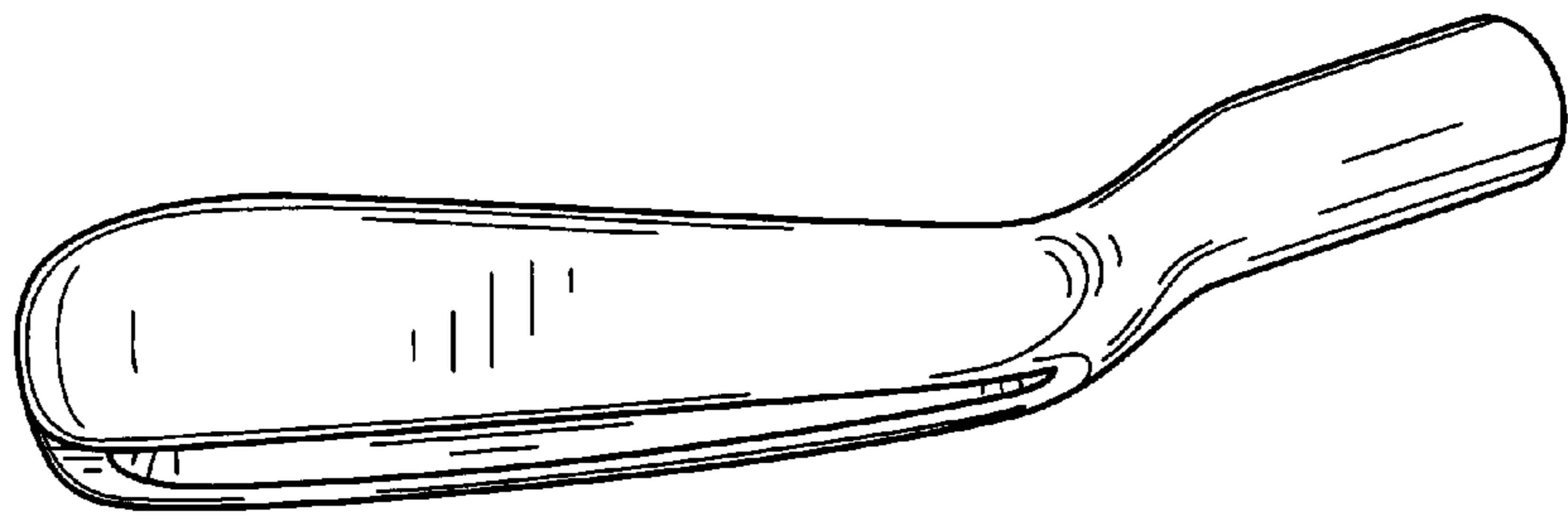


FIG. 4

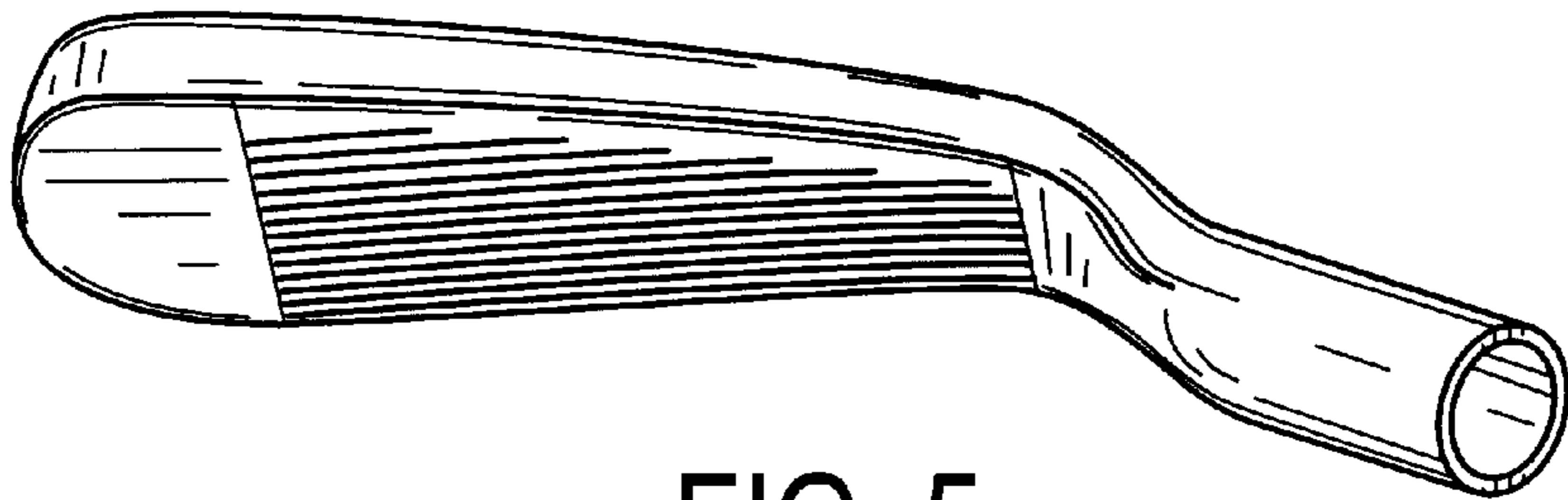


FIG. 5

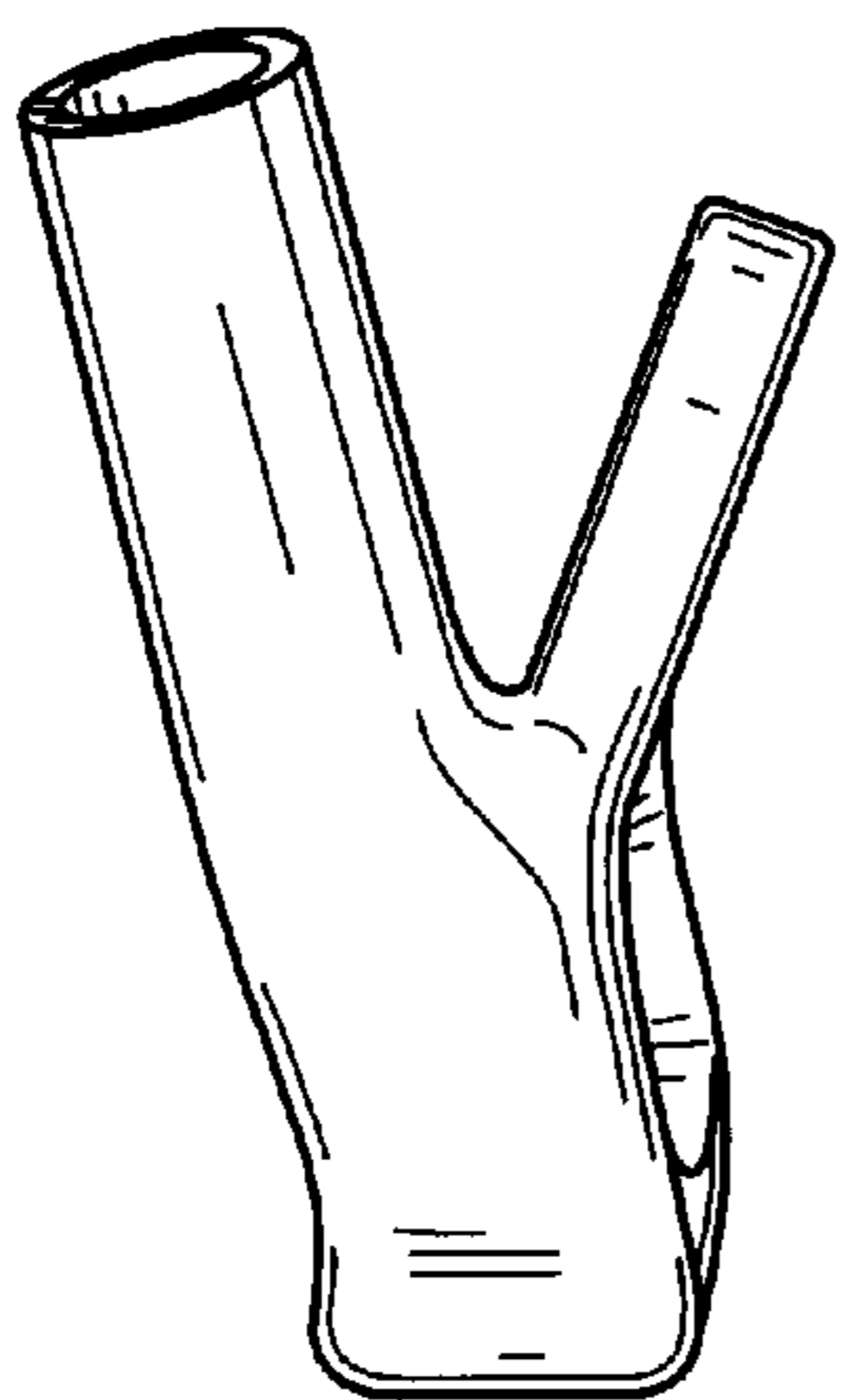


FIG. 6

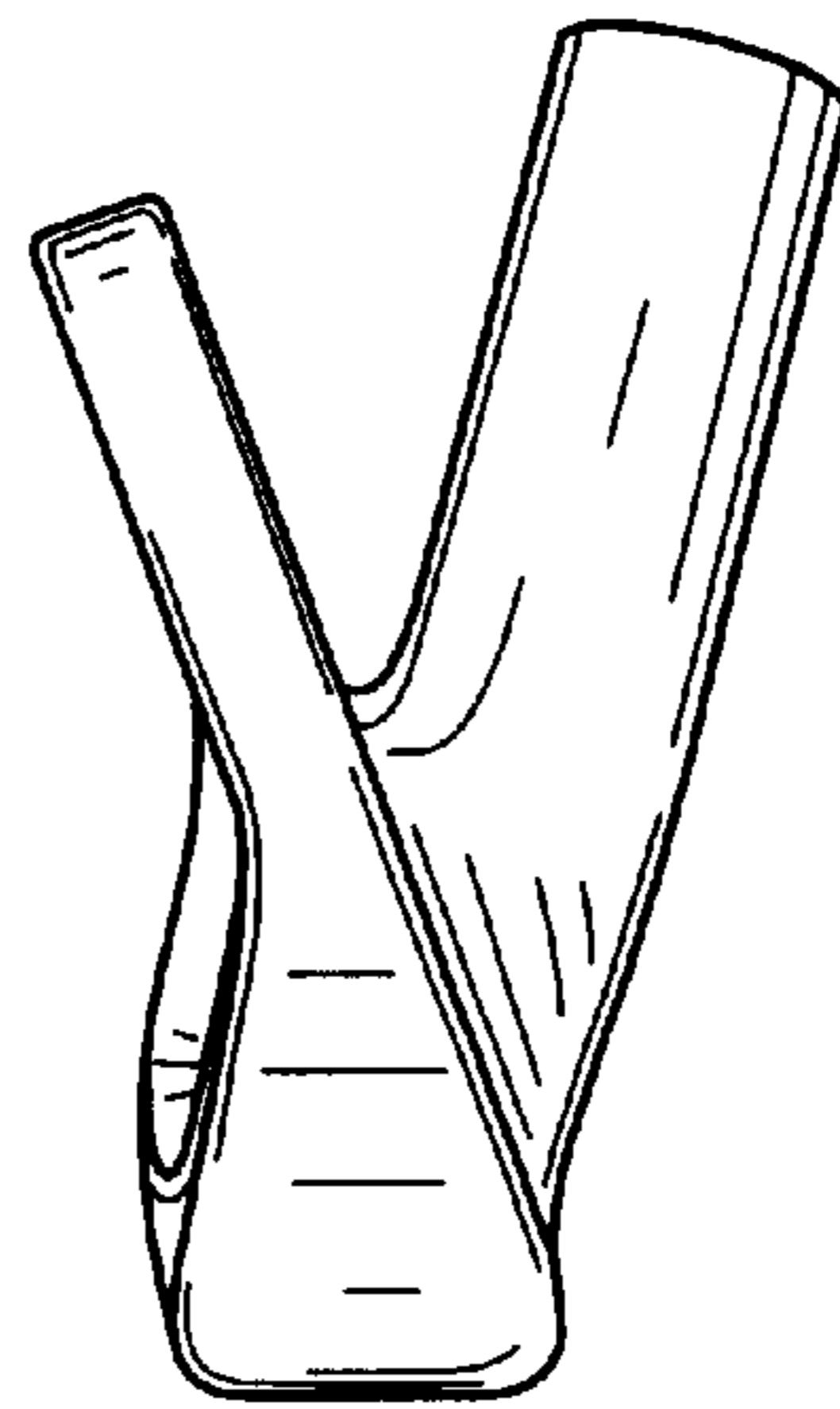


FIG. 7