



US00D415227S

**United States Patent** [19]  
**Heilker**

[11] **Patent Number: Des. 415,227**

[45] **Date of Patent: \*\* Oct. 12, 1999**

[54] **GOLF PUTTER HEAD**

OTHER PUBLICATIONS

[76] Inventor: **Joseph Daniel Heilker**, 800 E. Citation Ct. Unit C, Boise, Id. 83716

Golf Digest; p. 200; slotline putter, bottom of page, Jun. 1986.

[\*\*] Term: **14 Years**

*Primary Examiner*—Mitchell Siegel  
*Attorney, Agent, or Firm*—Charles R. Clark

[21] Appl. No.: **29/094,424**

[57] **CLAIM**

[22] Filed: **Oct. 1, 1998**

The ornamental design for a golf putter head, as shown.

[51] **LOC (6) Cl.** ..... **21-02**

**DESCRIPTION**

[52] **U.S. Cl.** ..... **D21/743**

[58] **Field of Search** ..... D21/736-746;  
473/251-256, 324, 340, 341

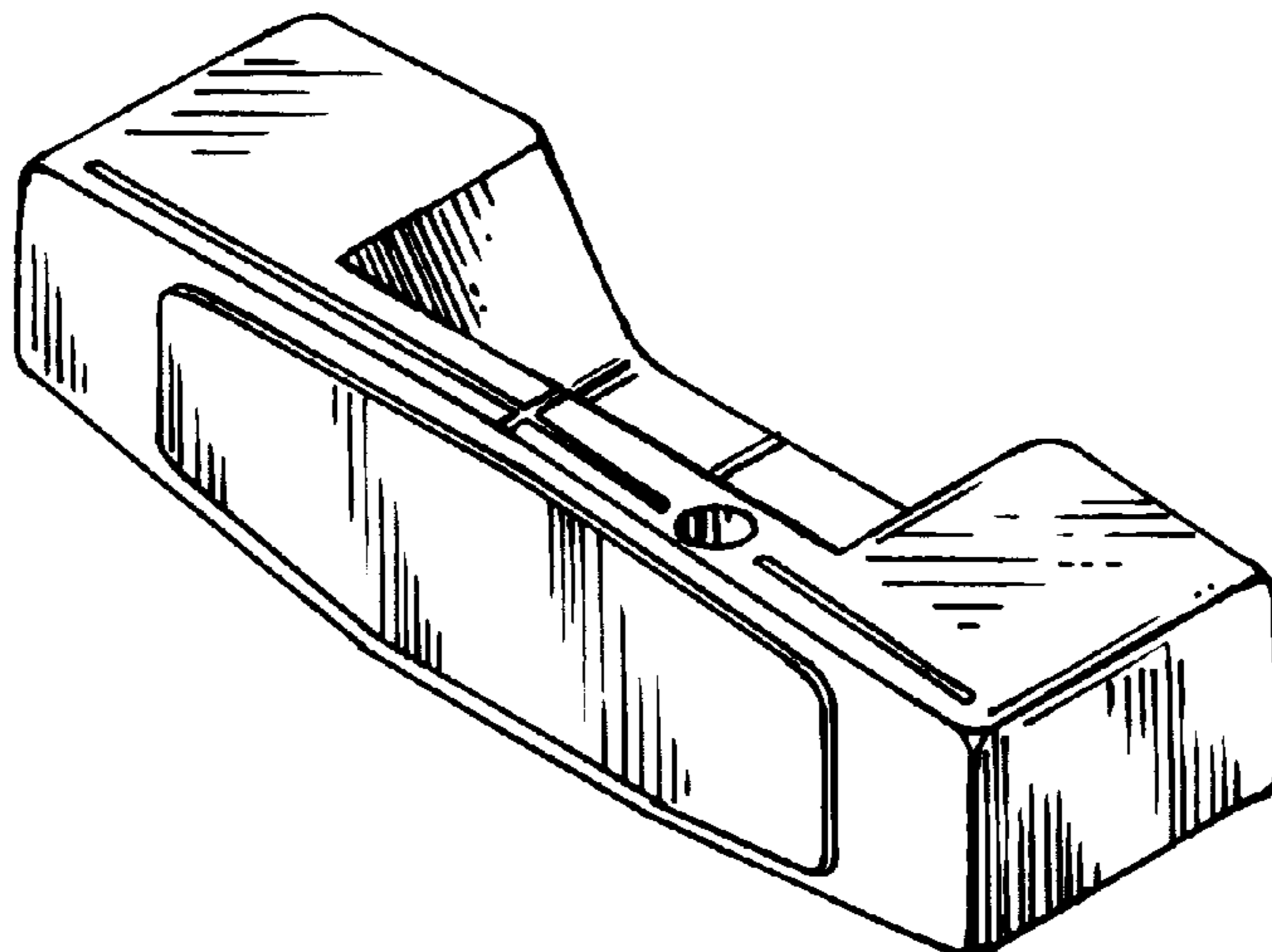
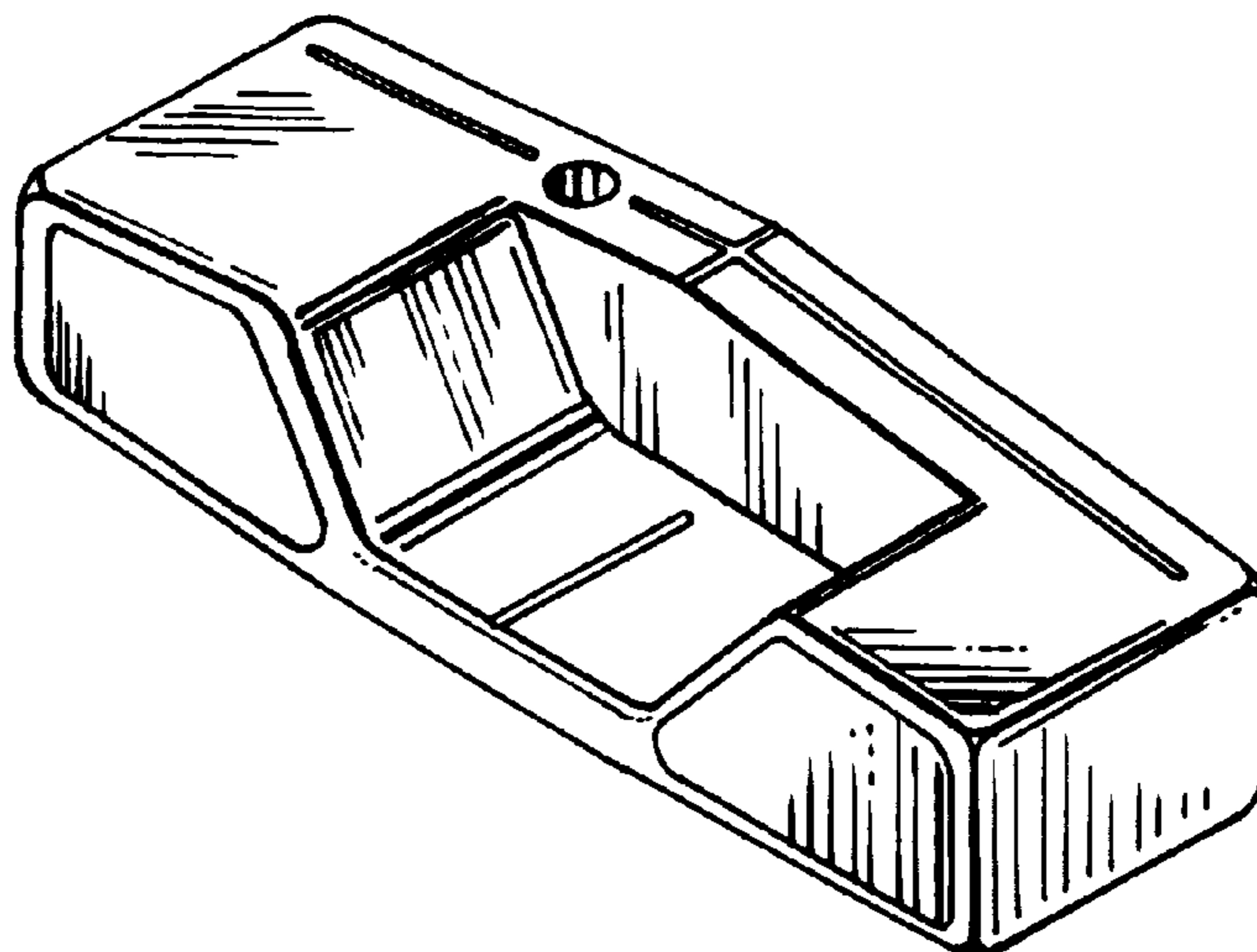
FIG. 1 is a rear perspective view of a golf putter head showing my new design;  
FIG. 2 is a front perspective view thereof;  
FIG. 3 is a rear elevational view thereof;  
FIG. 4 is a front elevational view thereof;  
FIG. 5 is a top plan view thereof;  
FIG. 6 is a bottom plan view thereof;  
FIG. 7 is a heel end elevational view thereof; and,  
FIG. 8 is a toe end elevational view thereof.

[56] **References Cited**

**U.S. PATENT DOCUMENTS**

D. 248,783	8/1978	Long	.....	D21/741
D. 275,981	10/1984	Duclos	.....	D21/746
D. 313,449	1/1991	Shearer	.....	D21/743
D. 368,750	4/1996	Izett et al.	.....	D21/743
D. 393,892	4/1998	Duclos	.....	D21/746

**1 Claim, 1 Drawing Sheet**



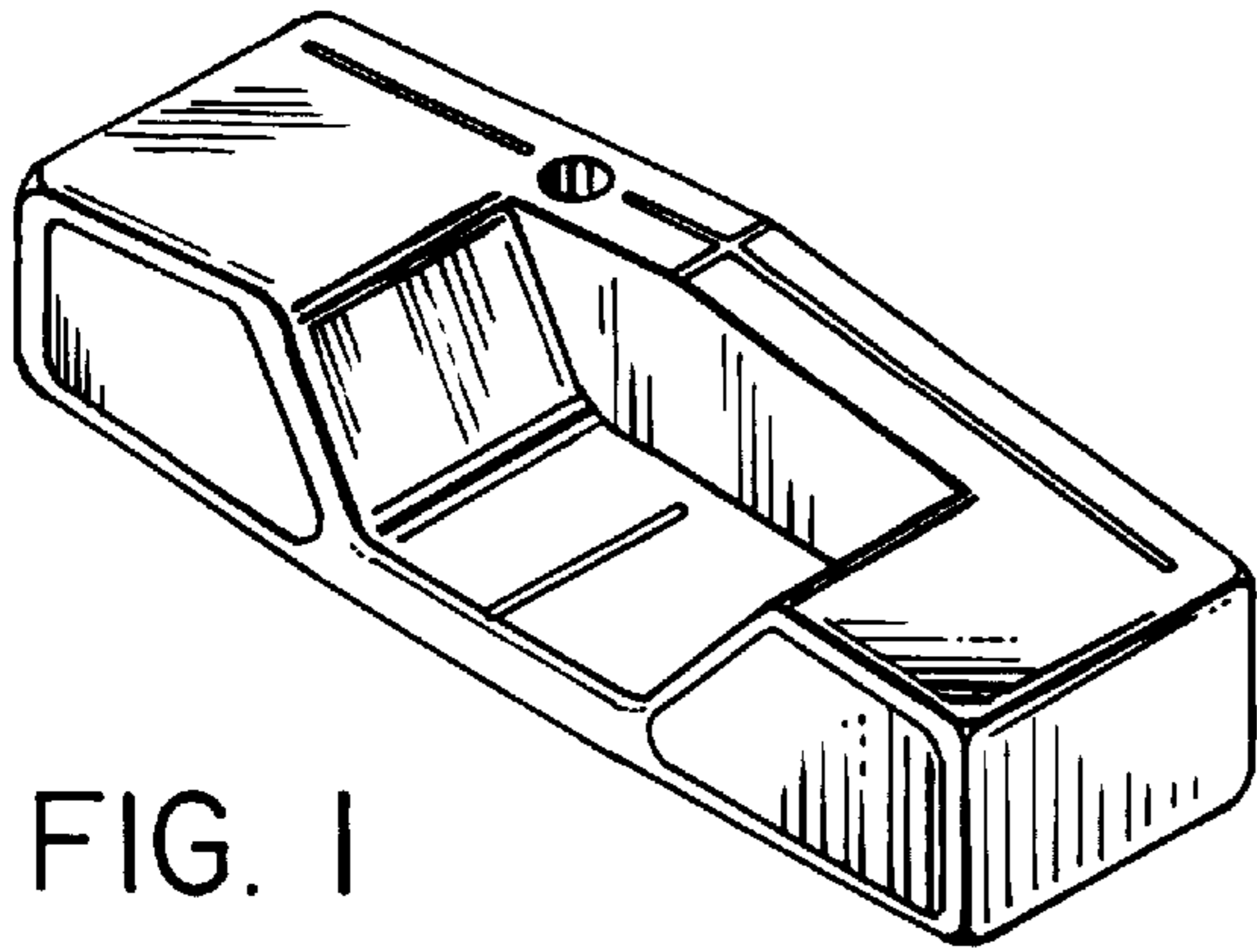


FIG. 1

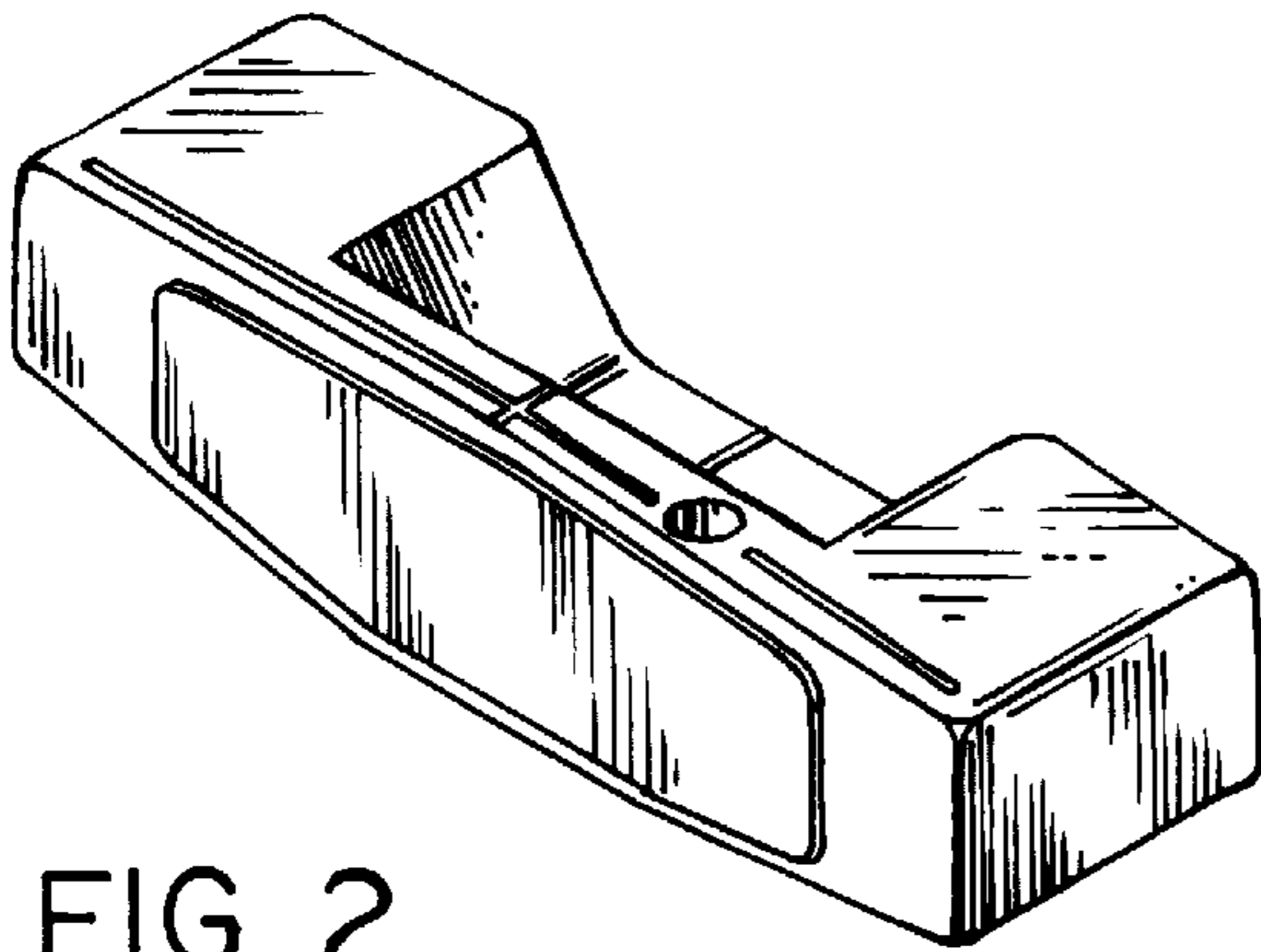


FIG. 2



FIG. 3



FIG. 4

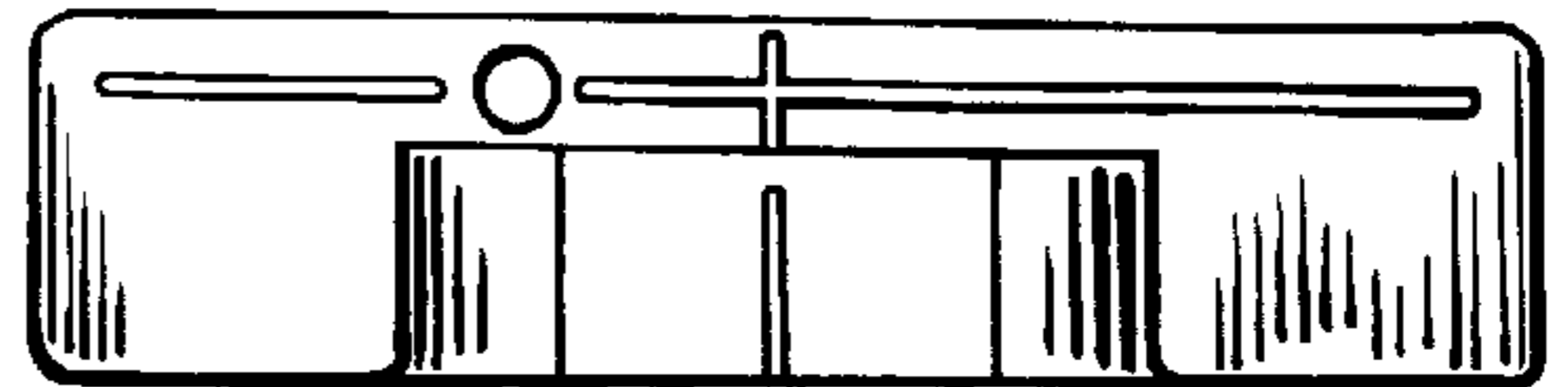


FIG. 5



FIG. 6

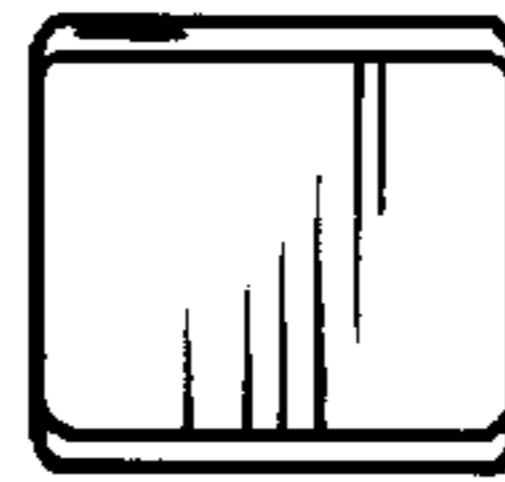


FIG. 7

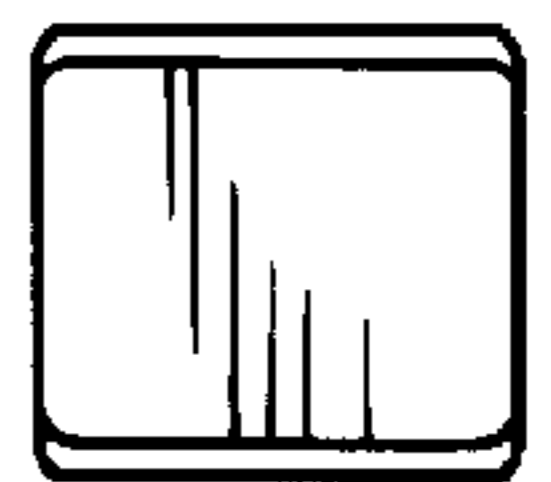


FIG. 8