



US00D415223S

United States Patent [19] Gay

[11] **Patent Number: Des. 415,223**

[45] **Date of Patent: ** Oct. 12, 1999**

[54] **DUMBBELL CRADLE FOR A WEIGHTLIFTER'S BENCH**

5,725,460 3/1998 Marsh 482/104
5,772,561 6/1998 Hayden 482/104

[76] Inventor: **Shawn S. Gay**, 7641 Elko Rd., Sandston, Va. 23150

Primary Examiner—Philip S. Hyder
Attorney, Agent, or Firm—Norman B. Rainer

[**] Term: **14 Years**

[57] **CLAIM**

[21] Appl. No.: **29/090,191**

The ornamental design for a dumbbell cradle for a weightlifter's bench, as shown and described.

[22] Filed: **Jul. 2, 1998**

DESCRIPTION

[51] **LOC (6) Cl.** **21-02**

[52] **U.S. Cl.** **D21/686; D21/694**

[58] **Field of Search** D21/662, 694, D21/690; 482/104, 142, 106, 107, 108

FIG. 1 is a perspective view of a dumbbell cradle for a weightlifter's bench showing my new design, wherein the broken line showing of the weightlifter's bench is for illustrative purposes only and forms no part of the claimed design;

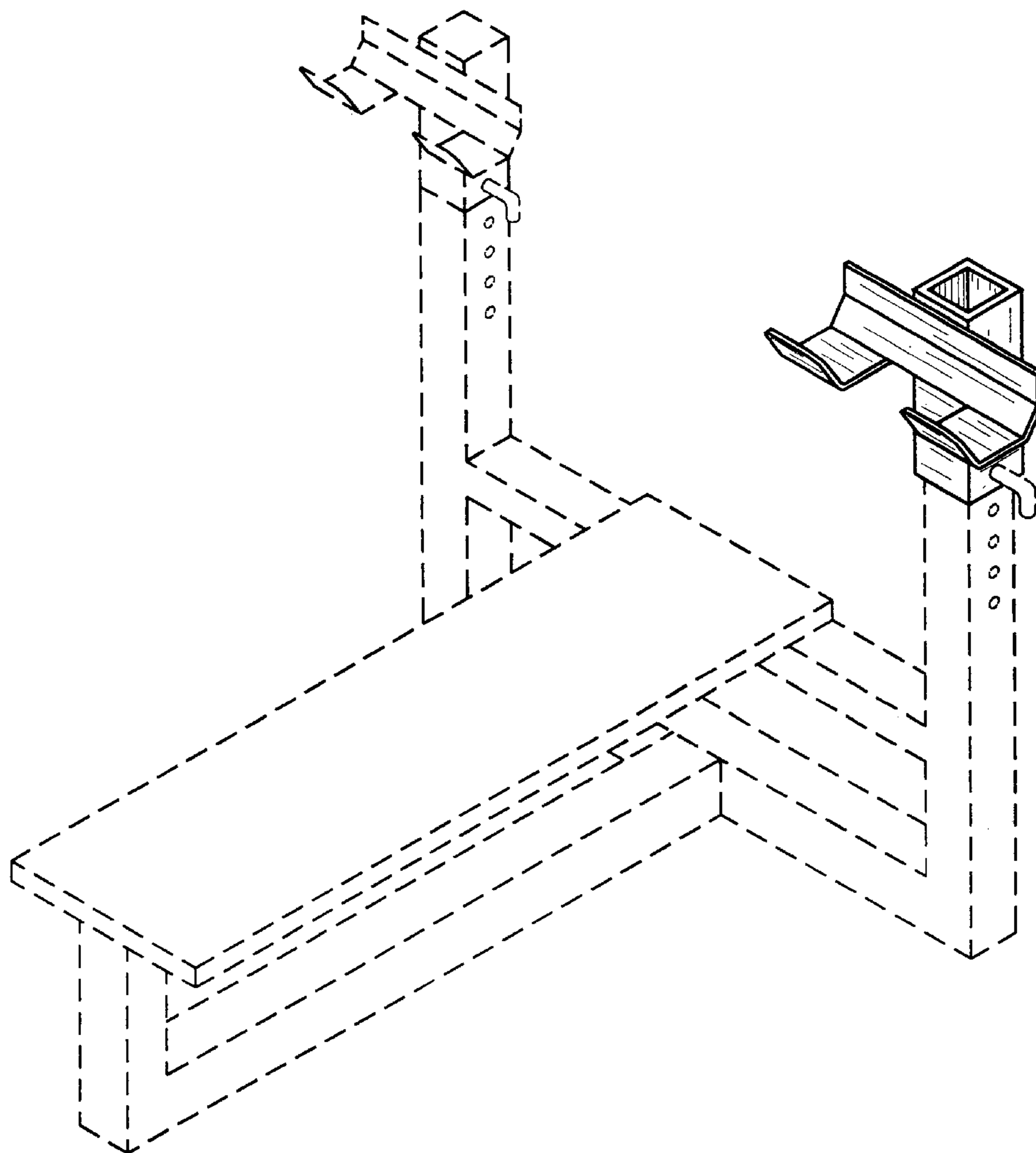
[56] **References Cited**

FIG. 2 is an enlarged perspective view thereof;
FIG. 3 is a side view thereof, the unshown opposite side being of mirror-image appearance;
FIG. 4 is a front view thereof; and,
FIG. 5 is a top plan view thereof.

U.S. PATENT DOCUMENTS

4,666,150	5/1987	Segrist et al.	482/104
5,411,459	5/1995	Hayden	482/104
5,472,397	12/1995	Ammoscato et al.	482/104
5,616,108	4/1997	Hayden	482/104
5,651,758	7/1997	Cervantes	482/93

1 Claim, 3 Drawing Sheets



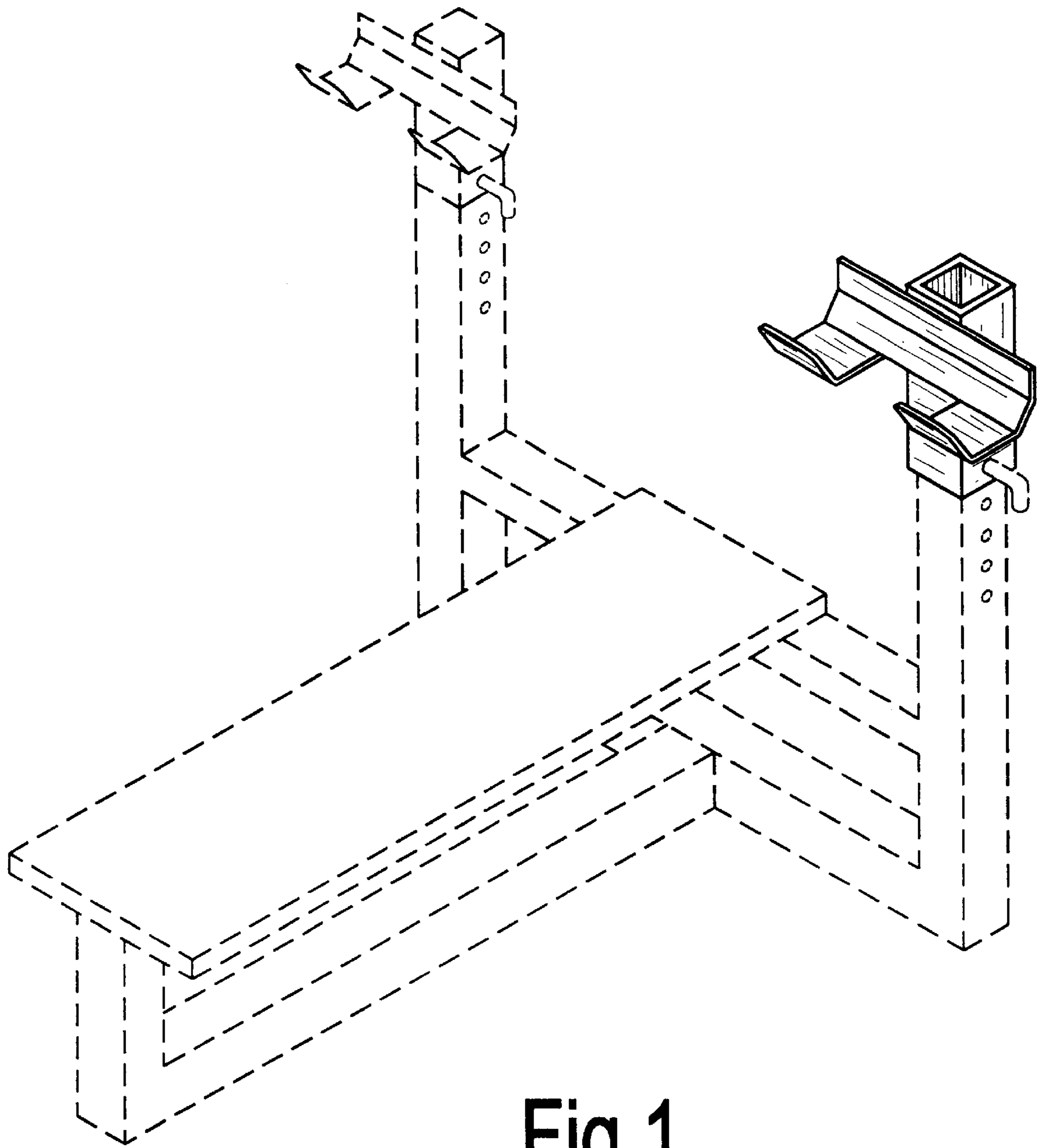


Fig. 1

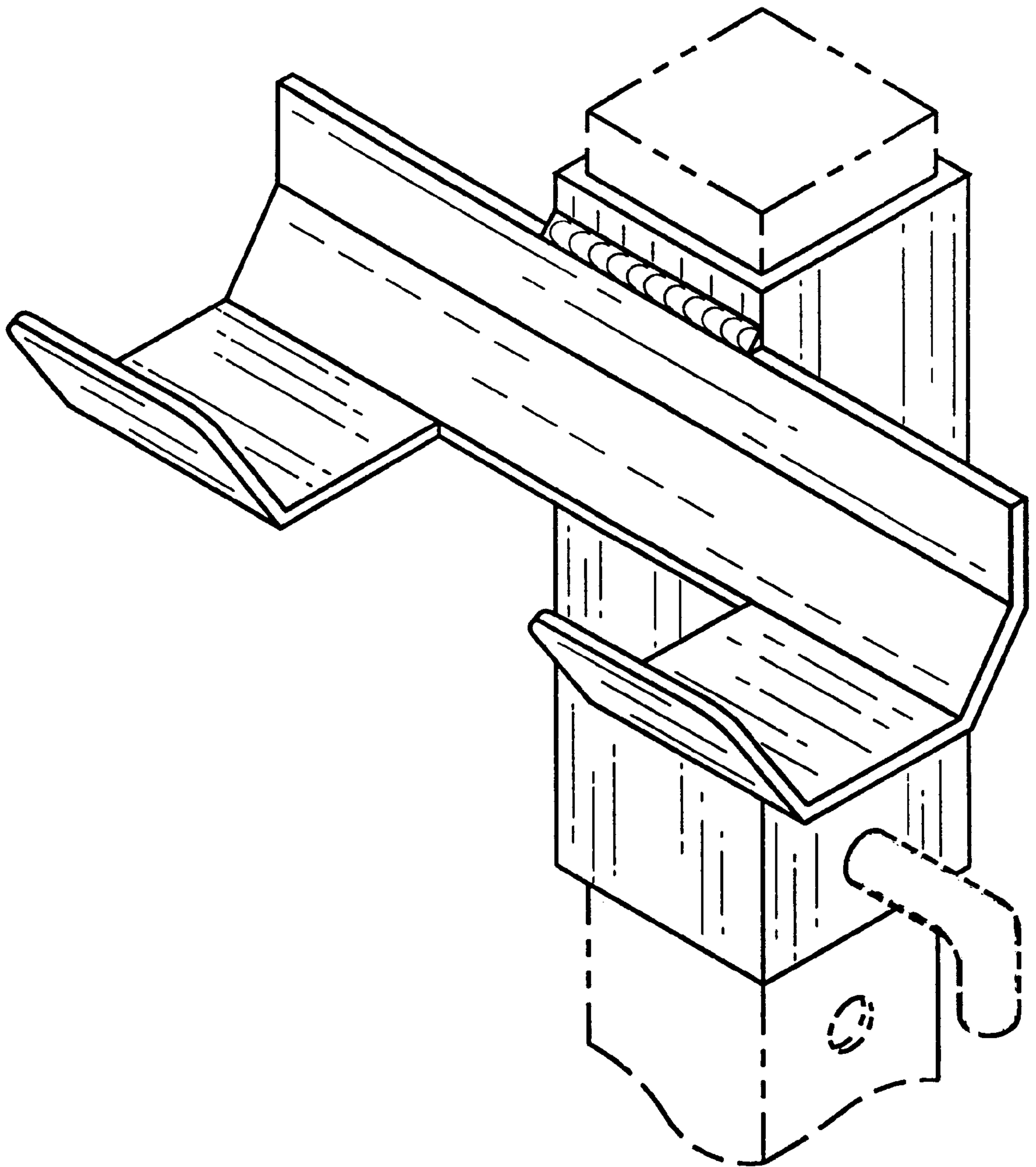


Fig.2

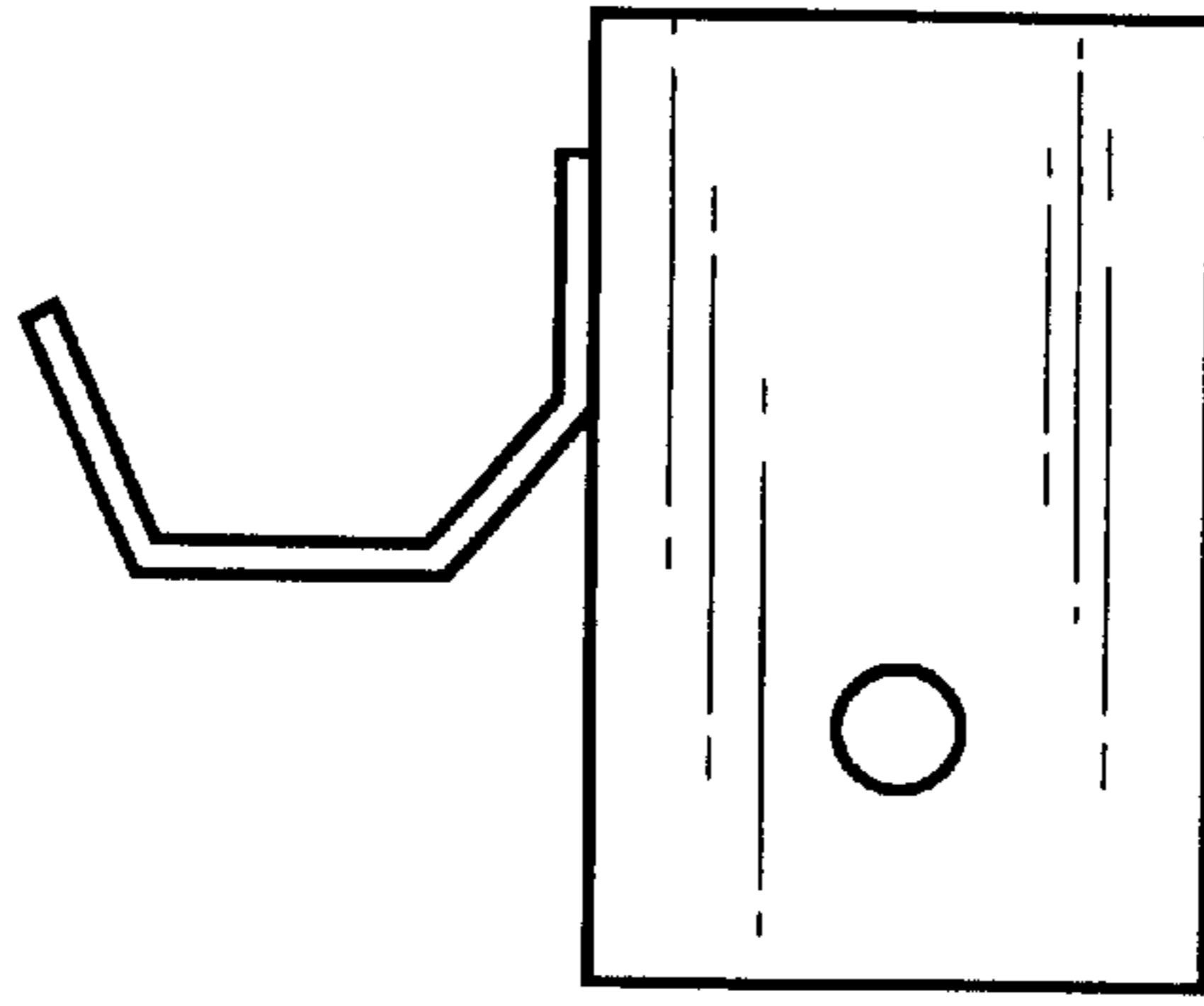


Fig.3

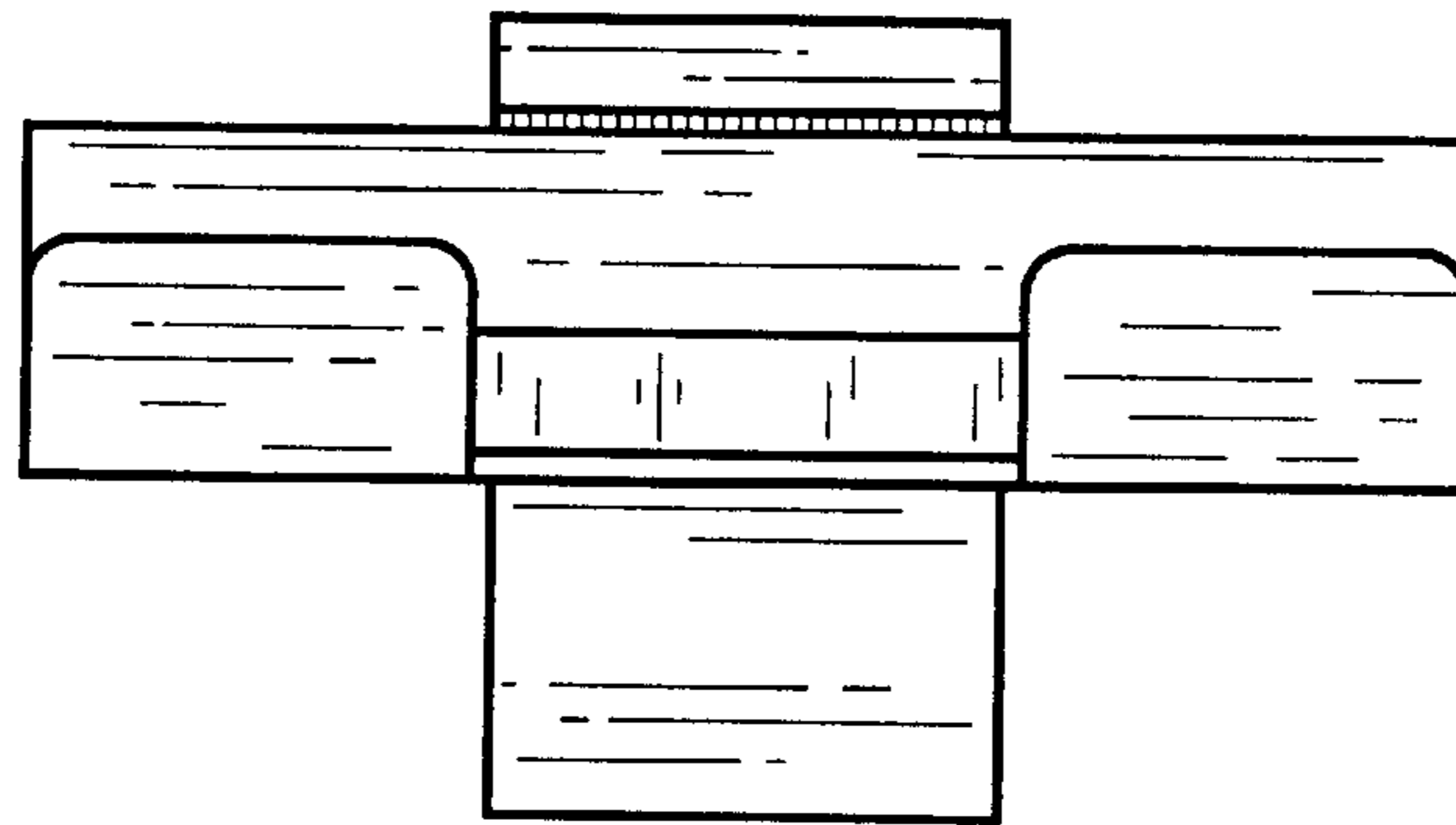


Fig.4

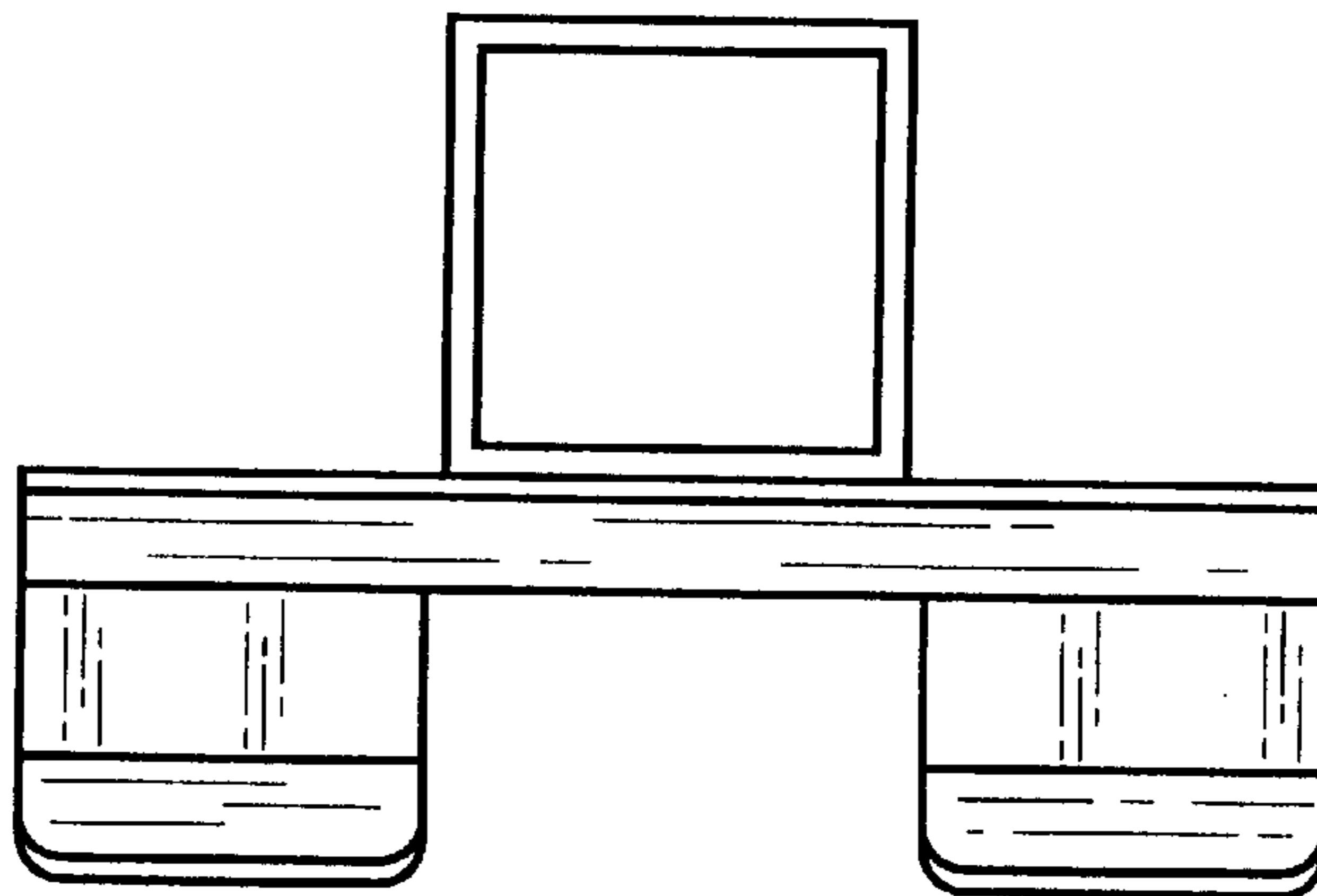


Fig.5