



US00D415218S

United States Patent [19]
Corliss

[11] **Patent Number: Des. 415,218**
[45] **Date of Patent: ** Oct. 12, 1999**

[54] **THEATER-BOX TOY FOR MAKING
CHANGEABLE THREE-DIMENSIONAL
IMAGES**

[76] Inventor: **Kathrine K. Corliss**, 15 Balbrook Dr.,
Mendham, N.J. 07945

[**] Term: **14 Years**

[21] Appl. No.: **29/097,387**

[22] Filed: **Dec. 4, 1998**

[51] **LOC (6) Cl.** **21-01**

[52] **U.S. Cl.** **D21/506; D21/515**

[58] **Field of Search** D21/483, 506-511,
D21/513-516; 446/110, 85, 476, 478, 479,
489, 491, 144, 408; D19/59-64

[56] **References Cited**

U.S. PATENT DOCUMENTS

D. 171,367	1/1954	Rollins	D21/506
D. 240,151	6/1976	Stubbsmann	D21/506
D. 311,225	10/1990	Kroll	D21/506
3,462,873	8/1969	Moreci	D21/515
5,522,754	6/1996	Hanson	446/144

Primary Examiner—Raphael Barkai

Attorney, Agent, or Firm—Mathews, Collins, Shepherd &
Gould, P.A.

[57] **CLAIM**

An ornamental design for a theater-box toy for making
changeable three-dimensional images, as shown and
described.

DESCRIPTION

FIG. 1 is a perspective view of the theater-box toy for
making changeable three-dimensional images, in an
assembled configuration;

FIG. 2 is a front elevational view of the theater box toy for
making changeable three-dimensional images showing my
new design;

FIG. 3 is a side elevational view, the two sides of the toy
being symmetrical;

FIG. 4 is a back elevational view;

FIG. 5 is a top plan view;

FIG. 6 is a bottom plan view; and,

FIG. 7 is a perspective view showing assembly of plates for
insertion into the theater-box of the toy.

The broken lines forming geometric designs on the rectan-
gular plates (e.g., FIGS. 1 and 7), are for illustrative pur-
poses only denoting the appearance of any removable
graphic images that may be applied to the plurality of plates
and do not form part of the claimed design. The tripartite
dashed lines on the plates (FIG. 7), constitute shading
denoting transparency. The dashed lines on the theater box
reflect surface shading denoting solid matter. The broken
lines appearing in a zig-zag fashion on the front sidewalls of
the theater box and along the front upper edge of the theater
(FIGS. 1 and 2), are for illustrative purposes only denoting
the appearance of any decorative images that may be placed
on the theater box and do not particularly form part of the
claimed design.

1 Claim, 4 Drawing Sheets

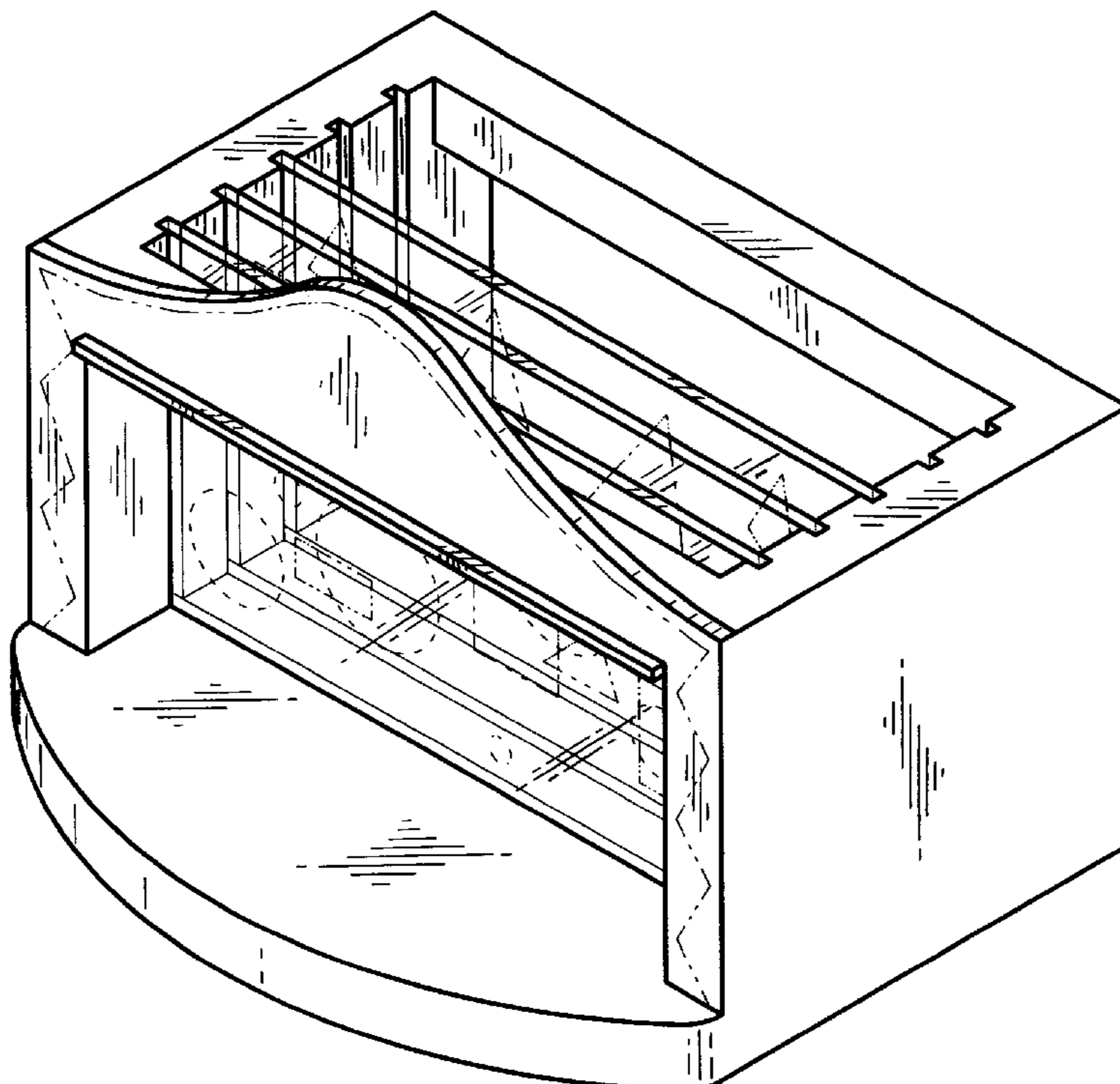


FIG. 1

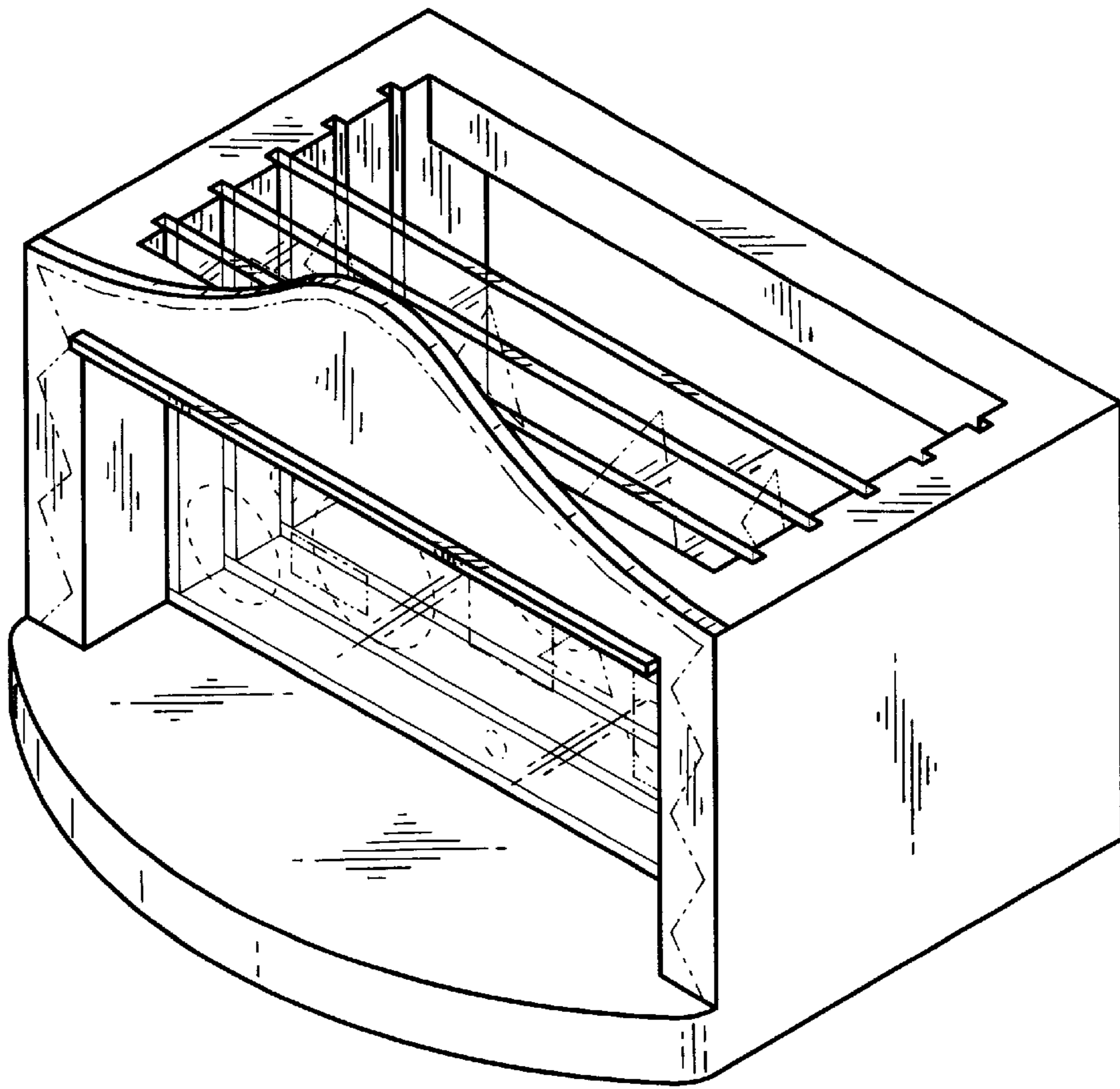


FIG. 2

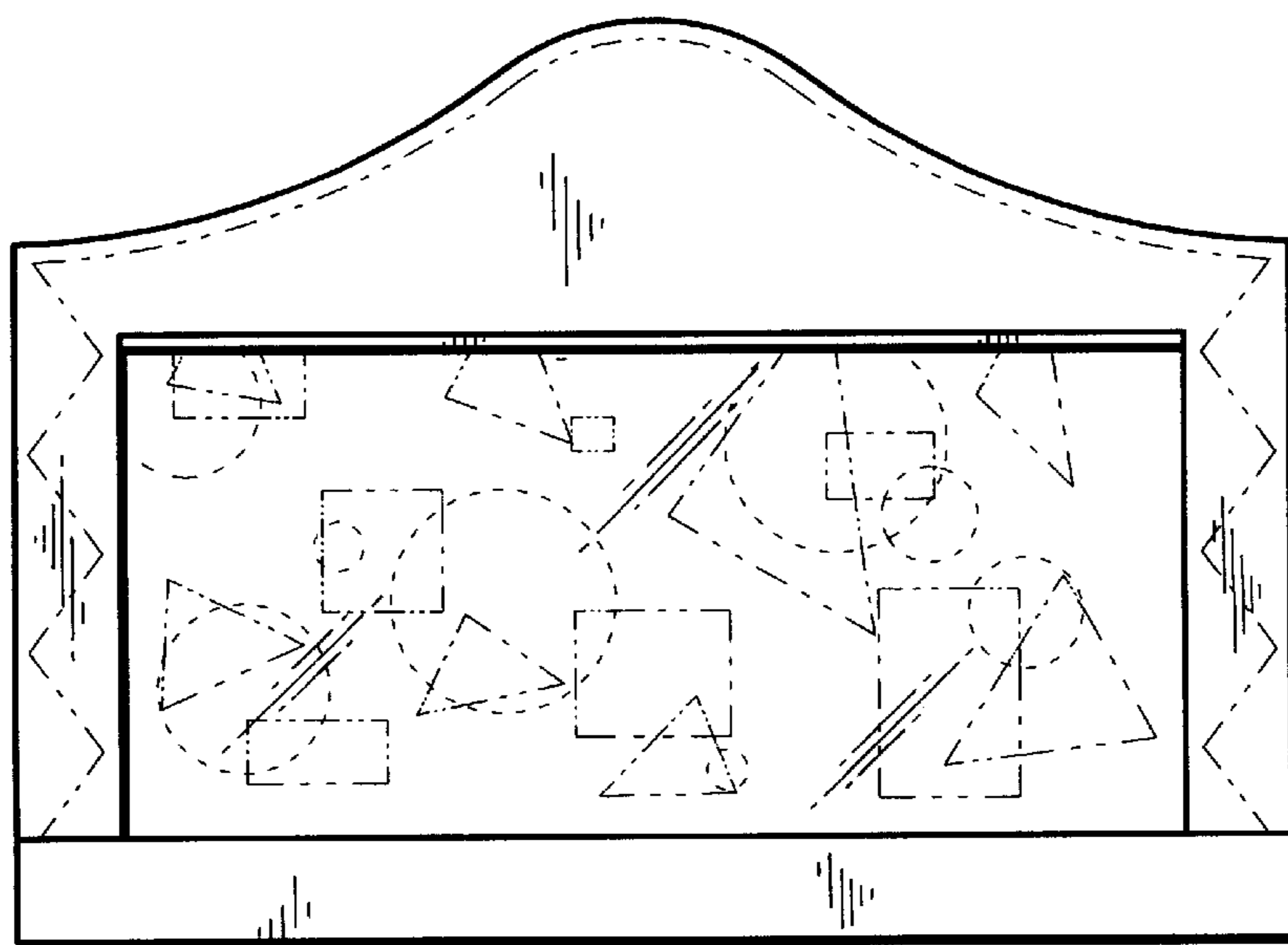


FIG. 3

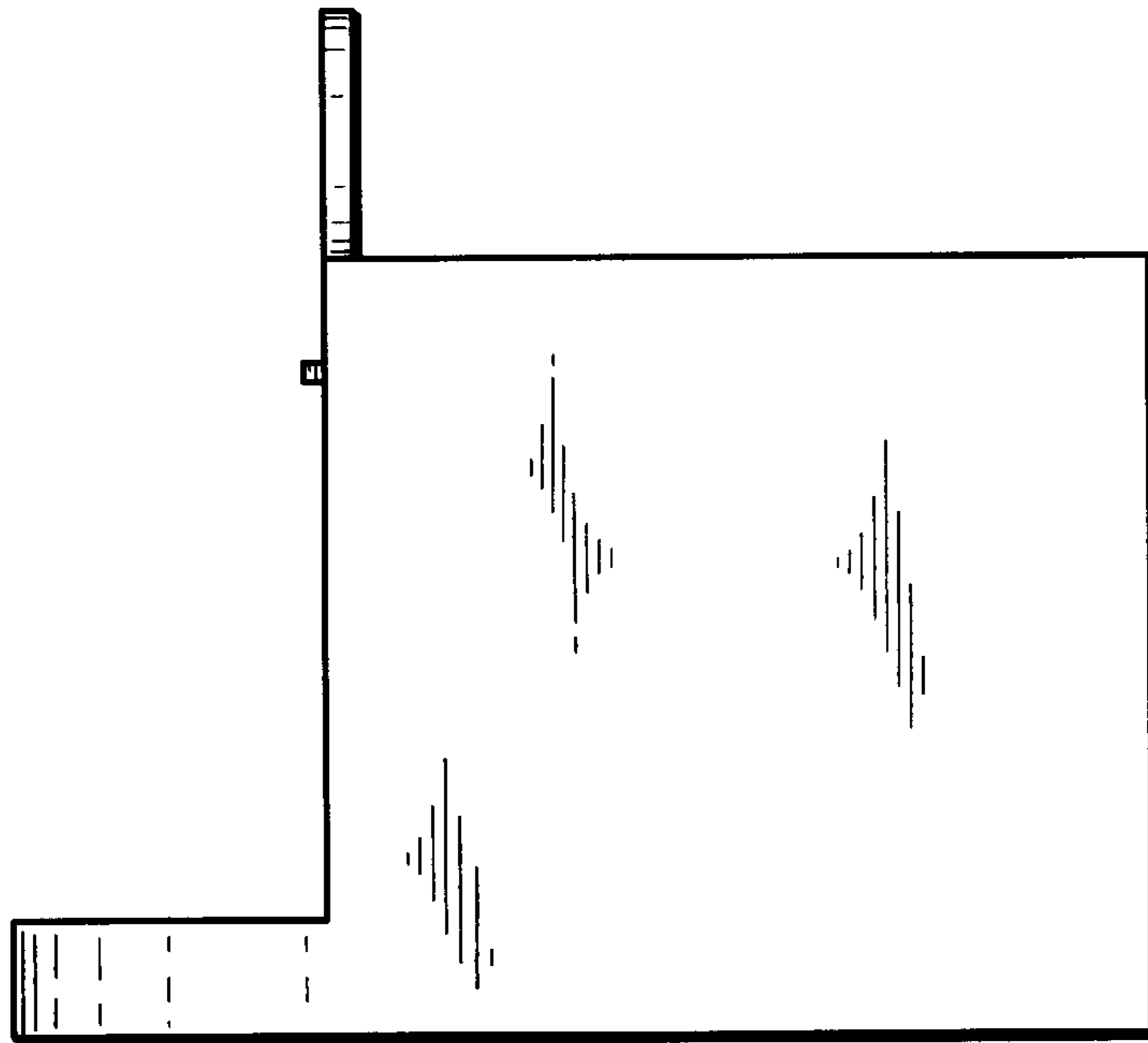


FIG. 4

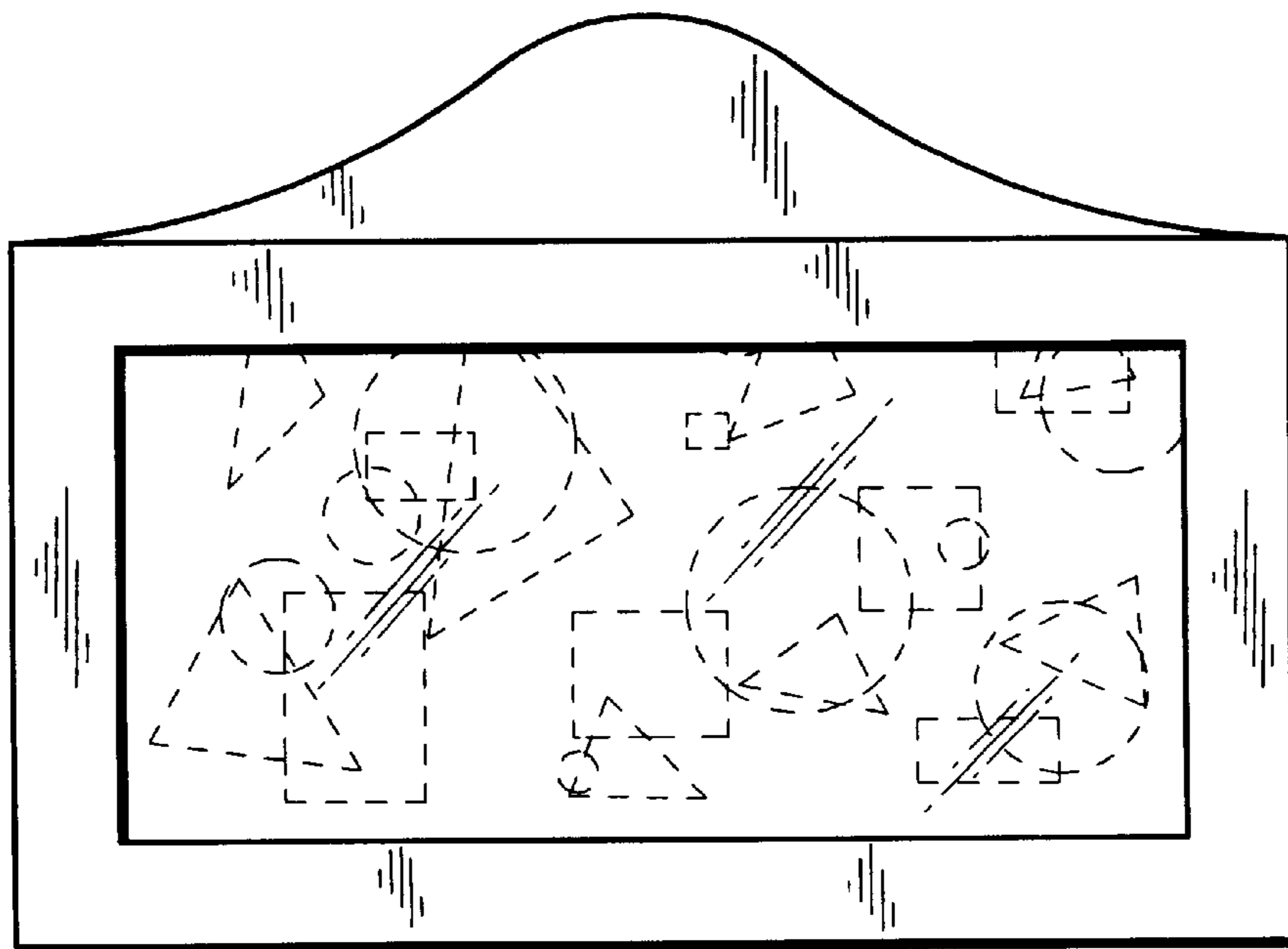


FIG. 5

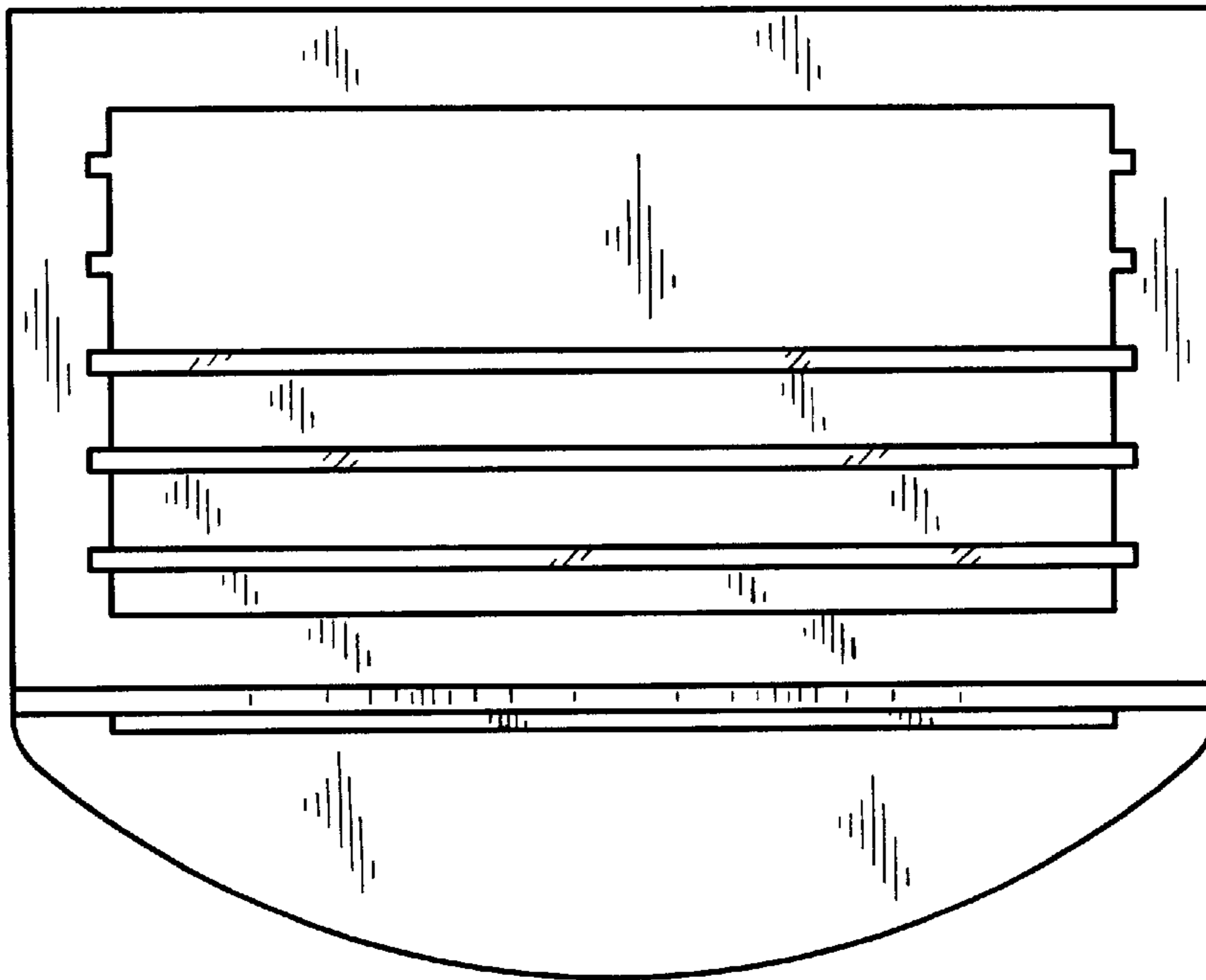


FIG. 6

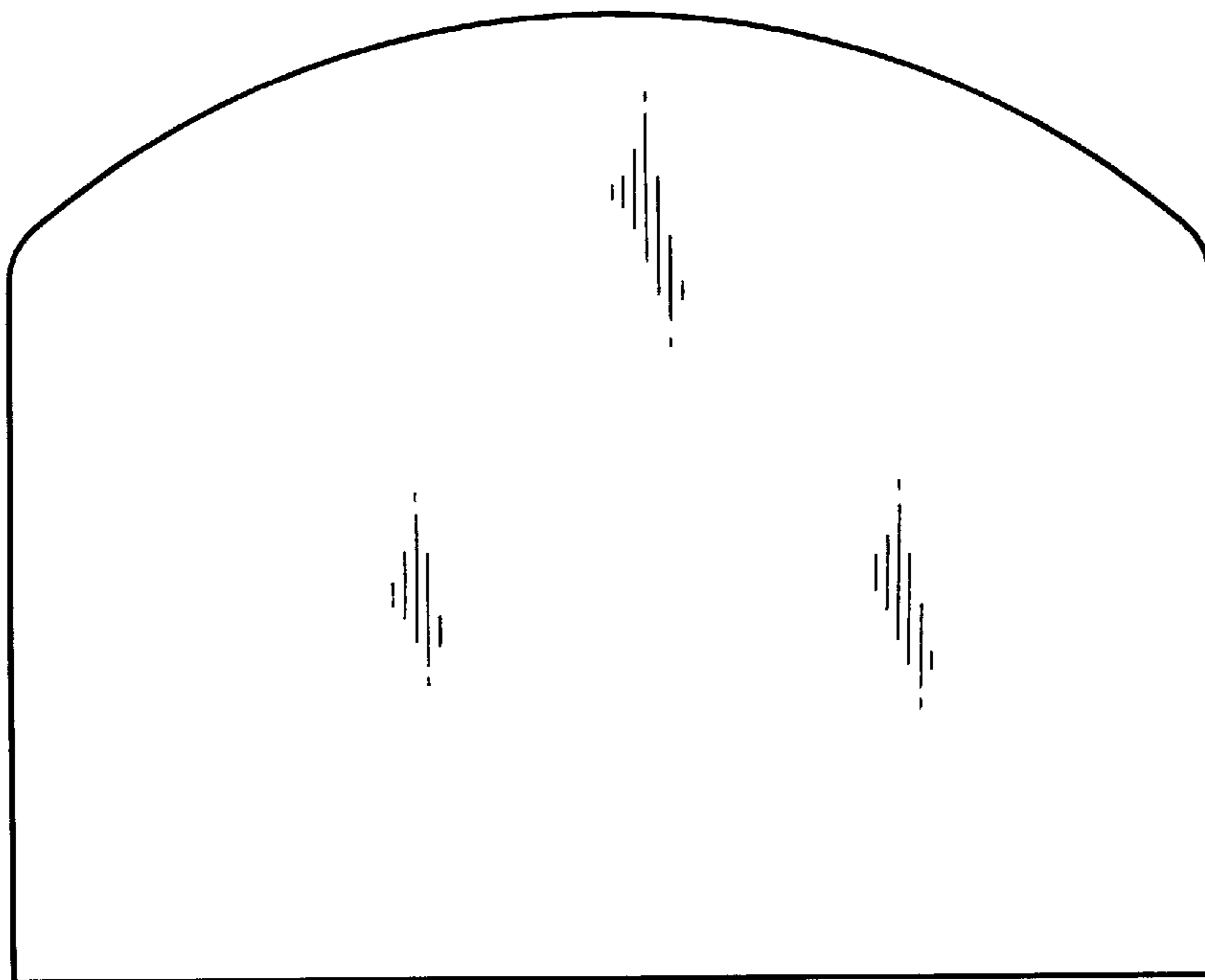


FIG. 7

