



US00D415217S

United States Patent [19]

[11] Patent Number: **Des. 415,217**

Rudy

[45] Date of Patent: **** Oct. 12, 1999**

[54] **TOY-BLOCK WITH RAIL GUIDE AND PIVOT EXTENSION MEANS**

[75] Inventor: **Eric A. Rudy**, Philadelphia, Pa.

[73] Assignee: **90 Degrees, Inc.**, Philadelphia, Pa.

[**] Term: **14 Years**

[21] Appl. No.: **29/096,712**

[22] Filed: **Nov. 19, 1998**

[51] **LOC (6) Cl.** **21-01**

[52] **U.S. Cl.** **D21/503**

[58] **Field of Search** D21/484-505,
D21/564-565; 446/85, 88, 93-96, 102-111,
116-117, 119-121, 124-125, 128, 444-447,
476; 238/10 E, 10 F

3,597,875	8/1971	Christiansen	46/25
3,640,017	2/1972	Christiansen	46/23
3,667,153	6/1972	Christiansen	46/30
3,690,031	9/1972	Shinoda	46/17
3,791,090	2/1974	Kneifel	52/593
3,803,754	4/1974	Fischer	46/26
3,890,738	6/1975	Bassani	446/111
4,044,497	8/1977	Bettens	46/17
4,182,072	1/1980	Much	46/17
4,185,410	1/1980	Kristiansen	46/23
4,253,268	3/1981	Mayr	46/30
4,403,733	9/1983	Bach et al.	238/10
4,726,515	2/1988	Bolli et al.	238/10
5,049,104	9/1991	Olsen	446/104
5,061,218	10/1991	Garage et al.	446/102
5,094,643	3/1992	Bolli et al.	446/121
5,209,693	5/1993	Lyman	446/104
5,411,428	5/1995	Orii et al.	446/90
5,427,558	6/1995	Knudsen	446/102
5,527,201	6/1996	Maddock	446/104

[56] **References Cited**

U.S. PATENT DOCUMENTS

D. 181,962	1/1958	Rudolf	D21/499
D. 233,542	11/1974	Christiansen	D34/15 GG
D. 290,627	6/1987	Dideriksen	D21/108
D. 311,935	11/1990	Andersen	D21/108
D. 329,067	9/1992	Skov	D21/484
D. 336,120	6/1993	Knudsen	D4/108
D. 355,452	2/1995	Glynn	D21/108
D. 355,453	2/1995	Glynn	D21/108
D. 355,454	2/1995	Glynn	D21/108
D. 355,681	2/1995	Glynn	D21/108
D. 356,124	3/1995	Glynn	D21/108
D. 367,898	3/1996	Glynn	D21/108
D. 377,377	1/1997	Glynn	D21/108
1,281,856	10/1918	Shaw	.
2,020,562	11/1935	Miller	46/35
2,077,065	4/1937	Johannes	46/25
2,196,257	4/1940	Dubilier	D21/565
3,127,175	3/1964	White	273/132
3,234,683	2/1966	Christiansen	46/25
3,242,610	1/1963	Christiansen	46/26
3,415,007	12/1968	Howe	46/19
3,545,122	12/1970	Onanian	46/25

OTHER PUBLICATIONS

Lego Catalog, p. 25, Jan. 1997.
Lego Technic

Primary Examiner—Raphael Barkai
Attorney, Agent, or Firm—Kenneth P. Glynn, Esq.

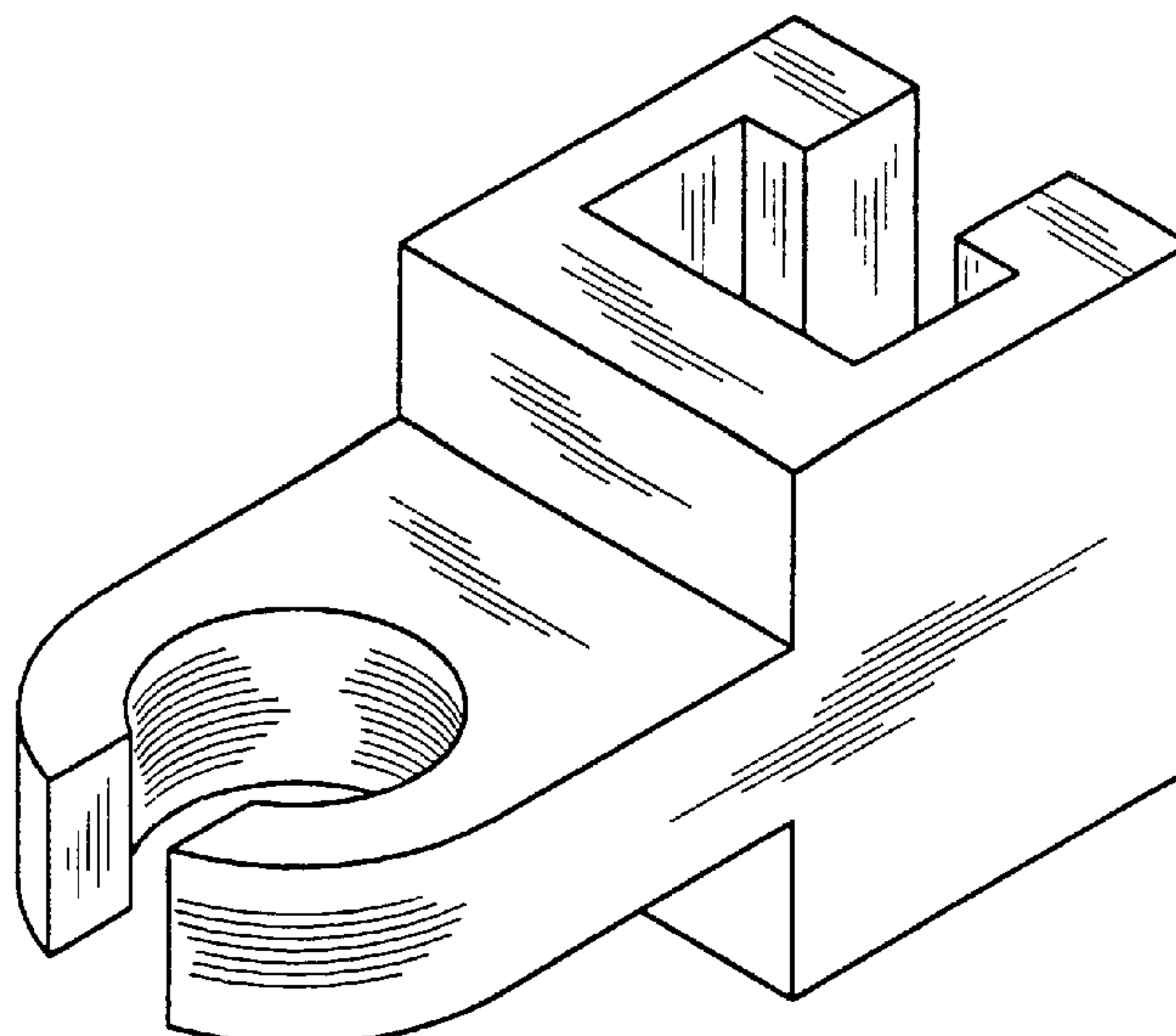
[57] **CLAIM**

The ornamental design for a toy-block with rail guide and pivot extension means, as shown and described.

DESCRIPTION

FIG. 1 is a perspective view of a toy-block with rail guide and pivot extension means showing my new design; FIG. 2 is a first side elevational view thereof; FIG. 3 is a top plan view thereof; FIG. 4 is a second side elevational view thereof; FIG. 5 is a bottom plan view thereof; FIG. 6 is a third side elevational view thereof; and, FIG. 7 is a fourth side elevational view thereof.

1 Claim, 1 Drawing Sheet



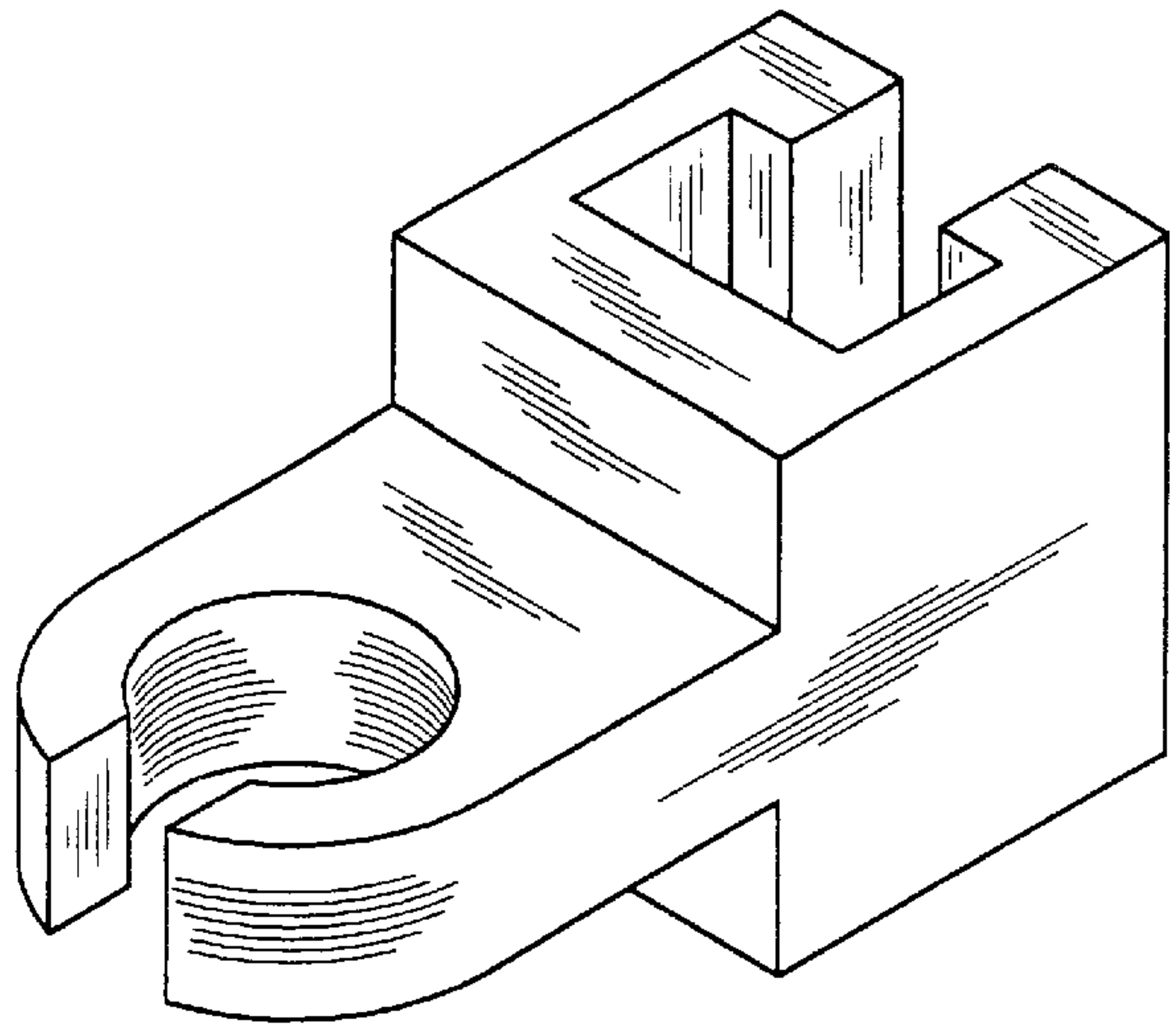


Fig. 1

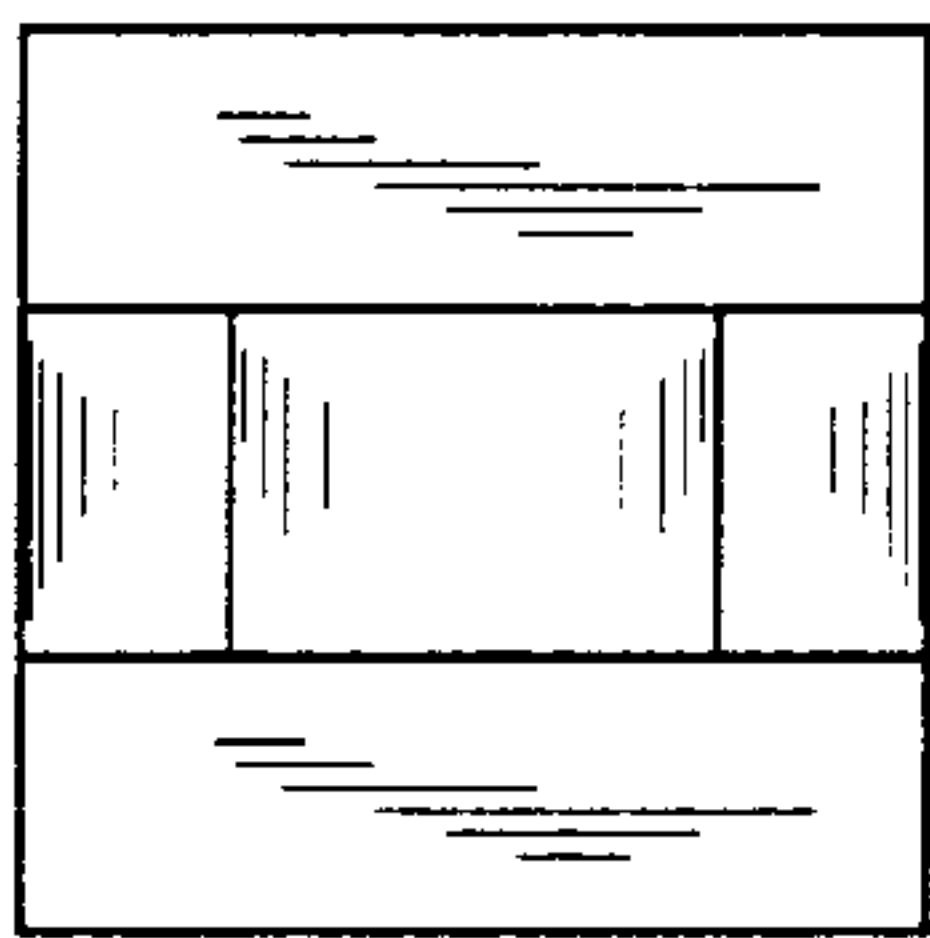


Fig. 2

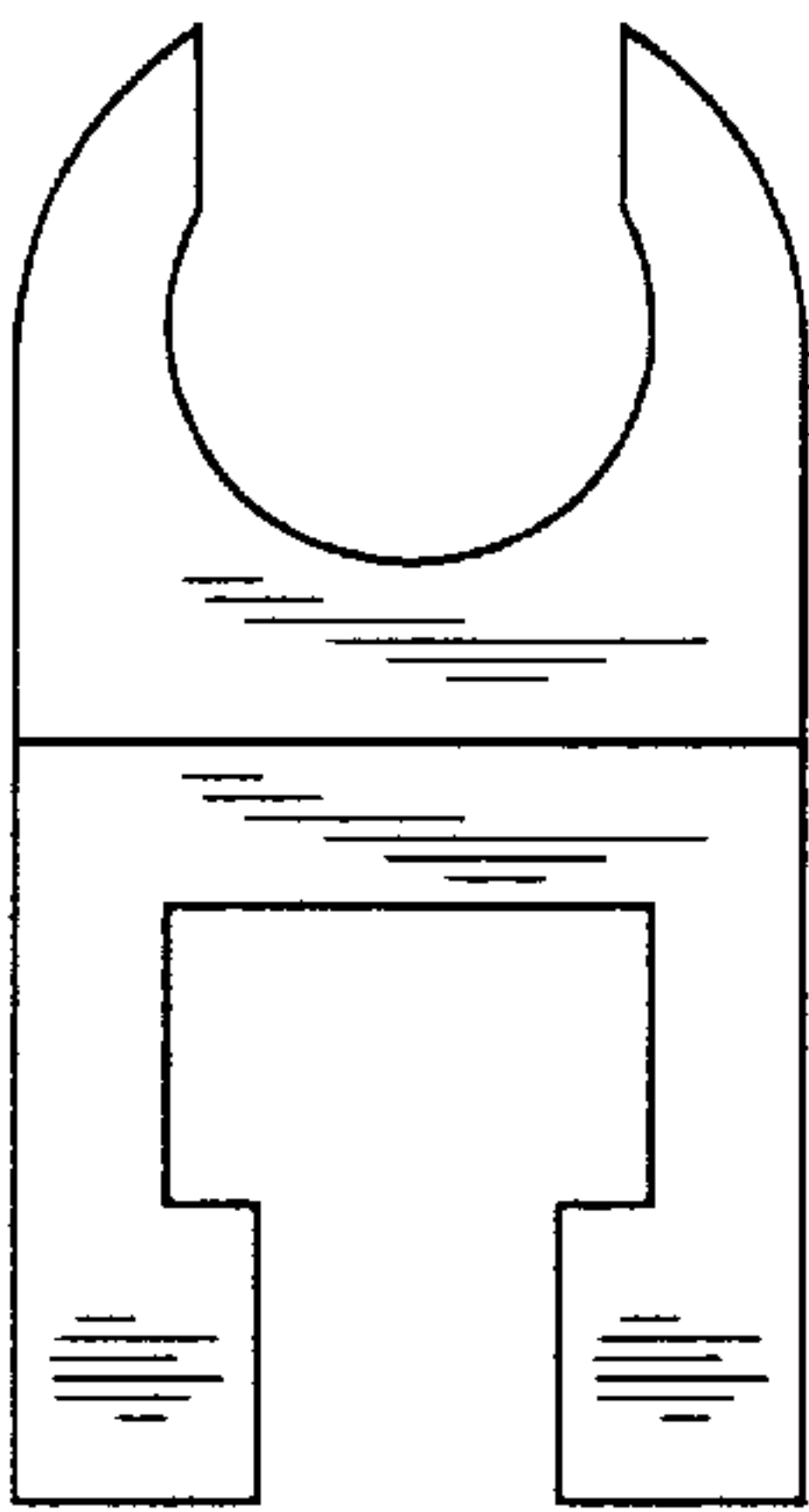


Fig. 3

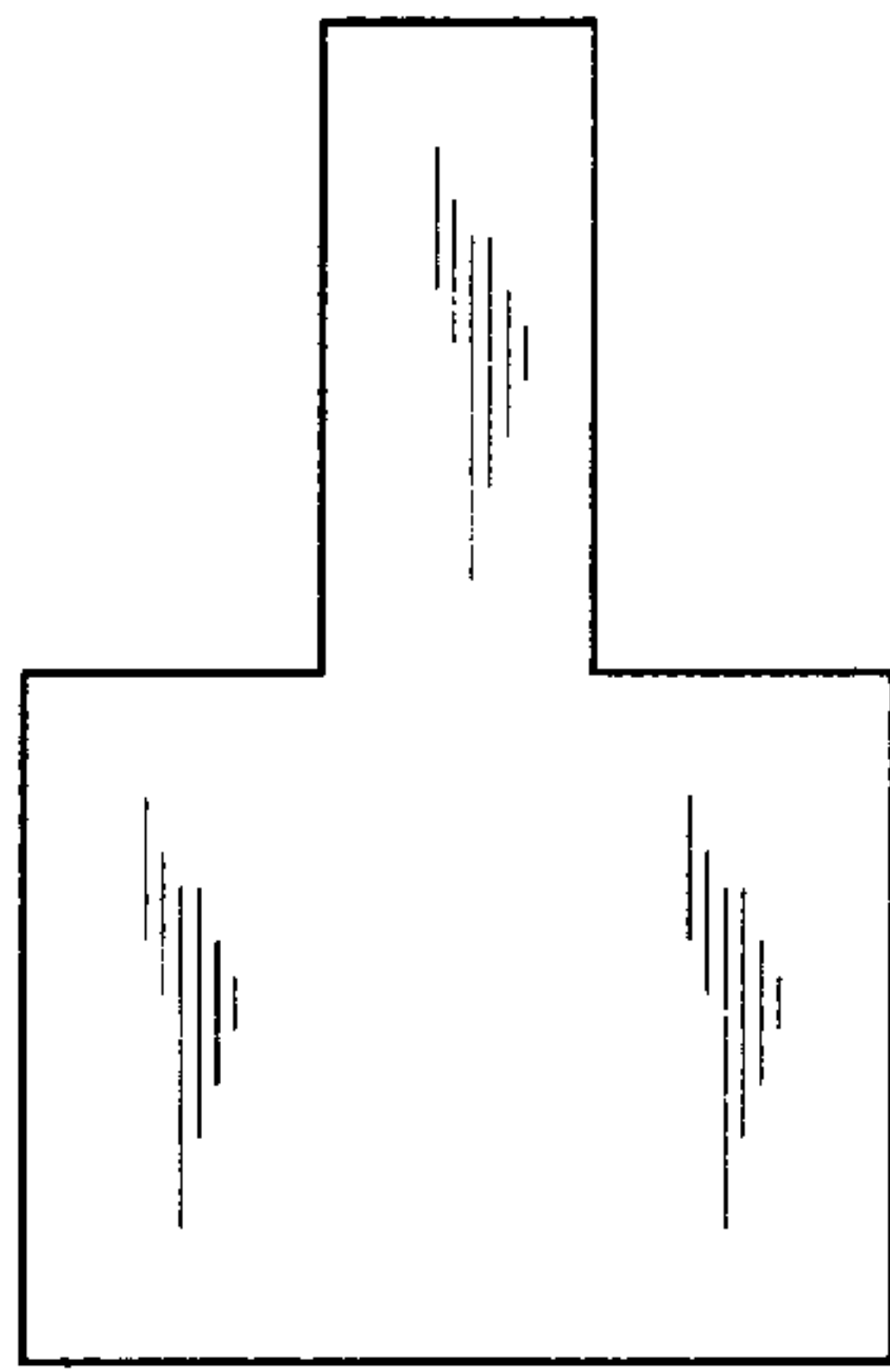


Fig. 4

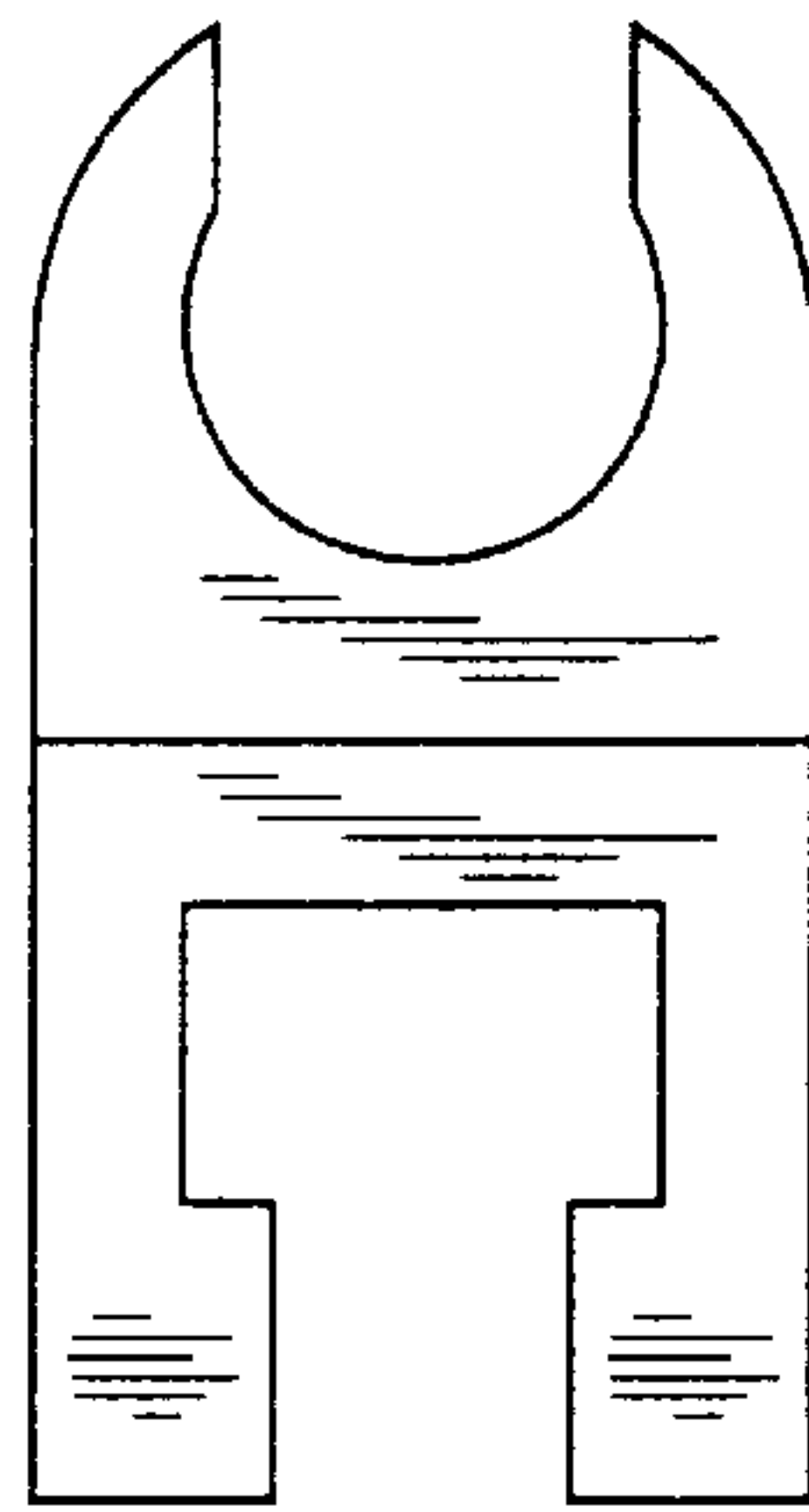


Fig. 5

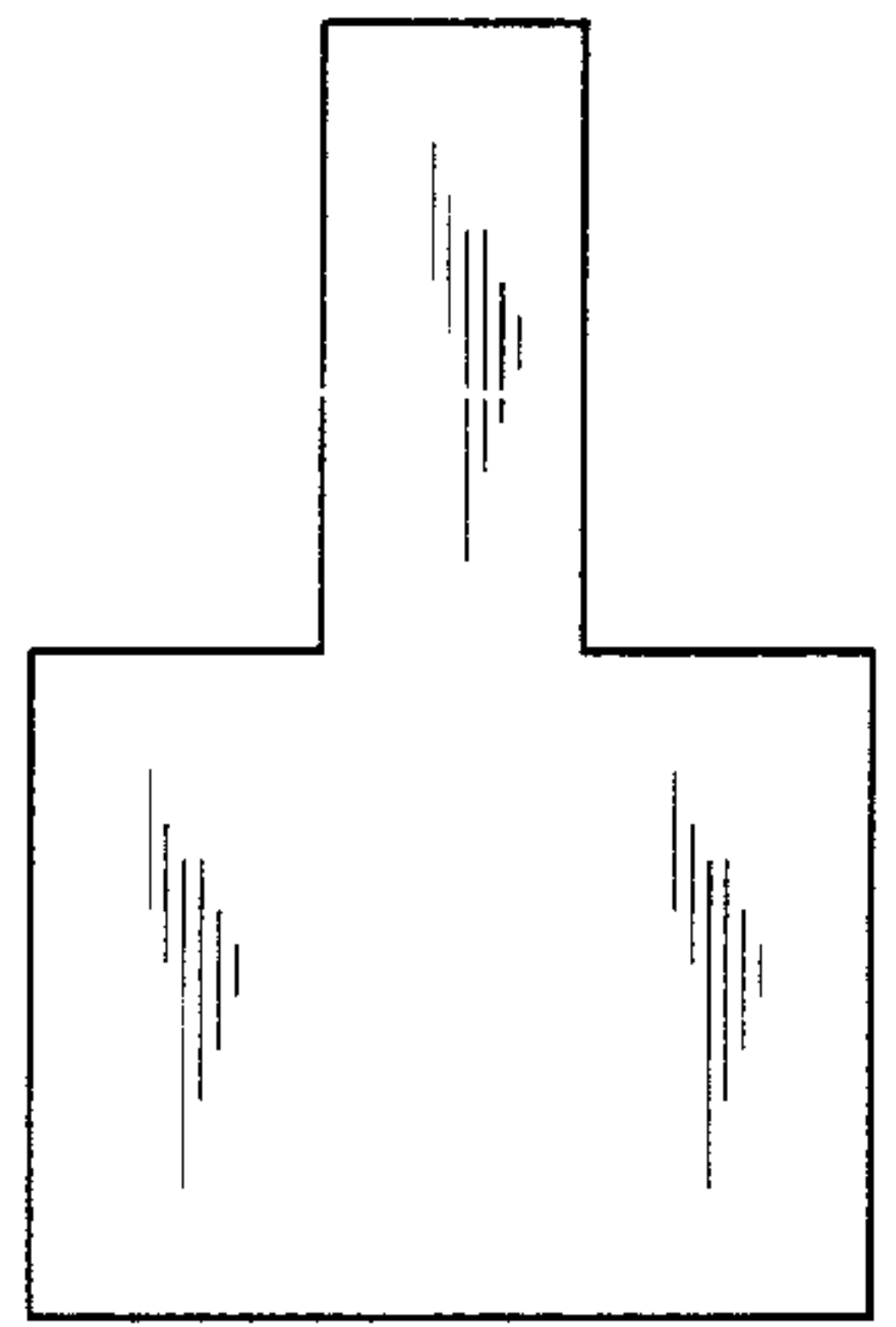


Fig. 6

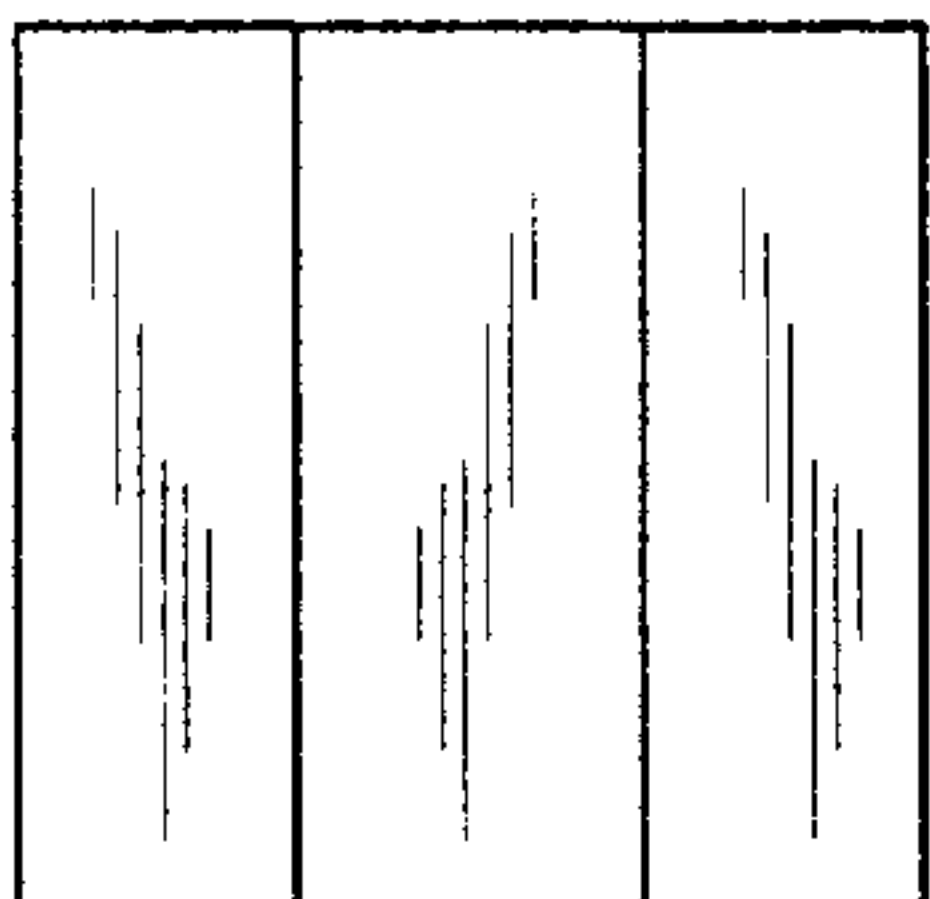


Fig. 7